



US00D889135S

(12) **United States Design Patent**  
**Pavilonis et al.**

(10) **Patent No.:** **US D889,135 S**  
(45) **Date of Patent:** **\*\* Jul. 7, 2020**

(54) **BRUSH AND HANDLE**  
(71) Applicant: **SWIMC LLC**, Cleveland, OH (US)  
(72) Inventors: **William Pavilonis**, Cleveland, OH (US); **Marcelo Gabriel Orchon**, Cleveland, OH (US); **Mike Khabibulin**, Portland, OR (US); **Edward Ray Goodwin, Jr.**, Westlake, OH (US); **Michael C. Lambertson, Jr.**, Aurora, OH (US); **Sharon L. Vasher**, Columbus, OH (US); **Duong L. Ta**, Cleveland, OH (US); **Steve R. Sardiga**, Cleveland, OH (US)

|                   |         |              |       |                         |
|-------------------|---------|--------------|-------|-------------------------|
| D681,343 S *      | 5/2013  | Arvinte      | ..... | D4/138                  |
| D710,115 S *      | 8/2014  | Dale         | ..... | D4/135                  |
| D733,437 S *      | 7/2015  | Sherman      | ..... | D4/135                  |
| D751,824 S *      | 3/2016  | Childs       | ..... | D4/135                  |
| D766,199 S *      | 9/2016  | Arvinte      | ..... | D4/135                  |
| D774,311 S *      | 12/2016 | Vasquez      | ..... | D4/116                  |
| D843,734 S *      | 3/2019  | Dale         | ..... | D4/138                  |
| D862,900 S *      | 10/2019 | Weaver-Habib | ..... | D4/135                  |
| 2002/0148058 A1 * | 10/2002 | Greenwood    | ..... | A46B 7/04<br>15/168     |
| 2004/0163193 A1 * | 8/2004  | Stafford     | ..... | A46B 15/0055<br>15/105  |
| 2005/0198759 A1 * | 9/2005  | Segrea       | ..... | A46B 5/0095<br>15/176.1 |

\* cited by examiner

(73) Assignee: **SWIMC LLC**, Cleveland, OH (US)

*Primary Examiner* — Austin Murphy

(\*\*) Term: **15 Years**

(74) *Attorney, Agent, or Firm* — Tucker Ellis LLP; Carlos Garritano

(21) Appl. No.: **29/684,003**

(22) Filed: **Mar. 18, 2019**

(57) **CLAIM**

(51) **LOC (12) Cl.** ..... **04-02**

The ornamental design for a brush and handle, as shown and described.

(52) **U.S. Cl.**

USPC ..... **D4/135**

(58) **Field of Classification Search**

USPC ..... D4/100, 102, 114, 135, 116, 121, 127;  
15/21.1, 22.1, 23, 24, 28, 29, 191.1, 192,  
15/193, 194, 166, 168, 171, 175, 176.1;  
132/218, 217; D28/7, 57

CPC ..... B05C 1/00; B05C 1/02; B05C 17/0205;  
B44D 2/00

See application file for complete search history.

**DESCRIPTION**

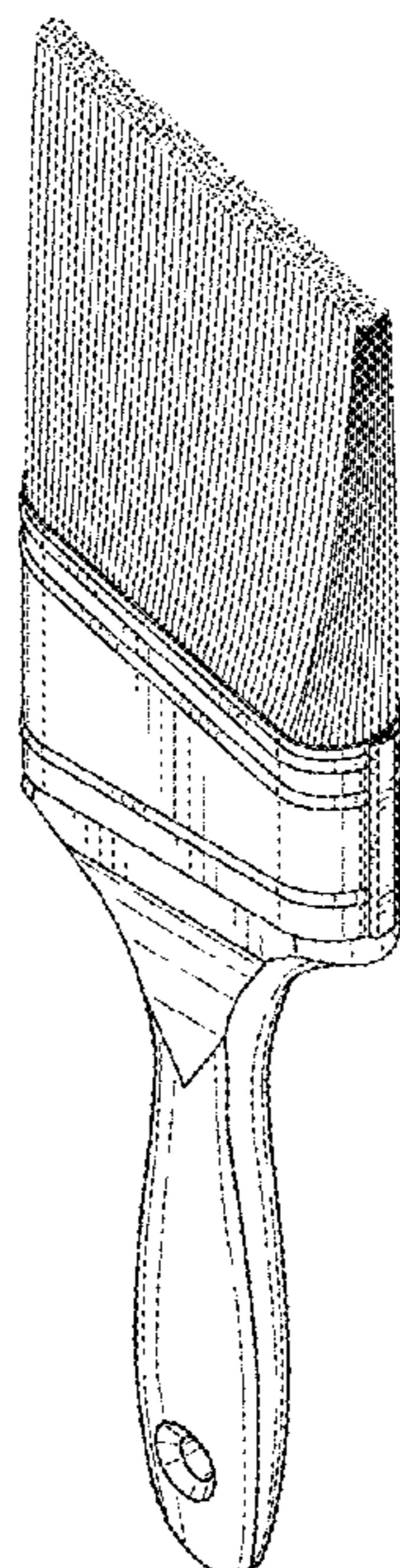
FIG. 1 is a front perspective view of a brush handle showing our new design;  
FIG. 2 is a rear perspective view thereof;  
FIG. 3 is a front view thereof;  
FIG. 4 is a rear view thereof;  
FIG. 5 is a left side view thereof;  
FIG. 6 is a right side view thereof;  
FIG. 7 is a top view thereof; and,  
FIG. 8 is a bottom view thereof.

(56) **References Cited**

**U.S. PATENT DOCUMENTS**

|              |         |             |       |        |
|--------------|---------|-------------|-------|--------|
| D485,442 S * | 1/2004  | Twigg       | ..... | D4/135 |
| D580,177 S * | 11/2008 | Louis-Jeune | ..... | D4/121 |

**1 Claim, 5 Drawing Sheets**



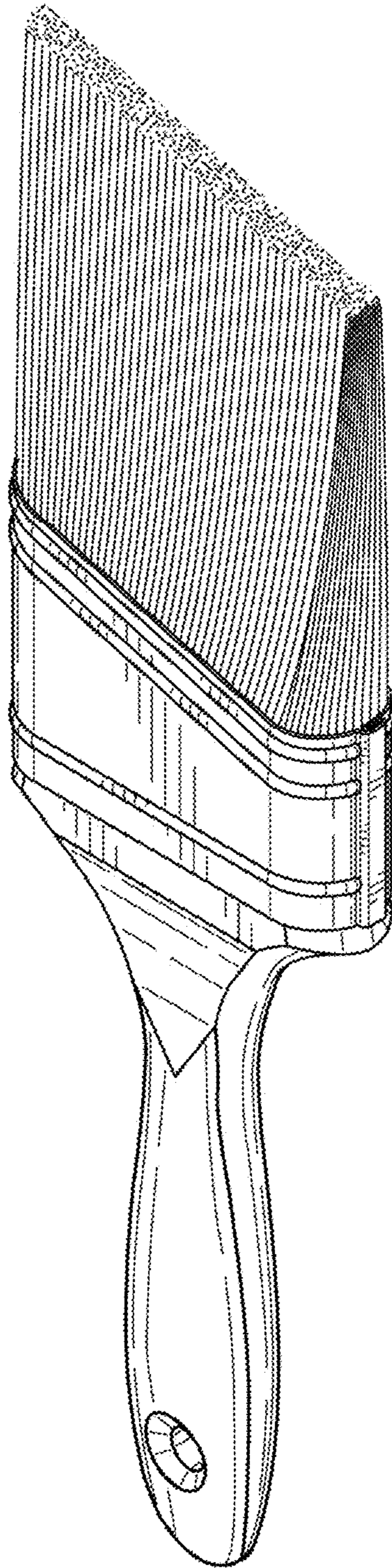


FIG. 1

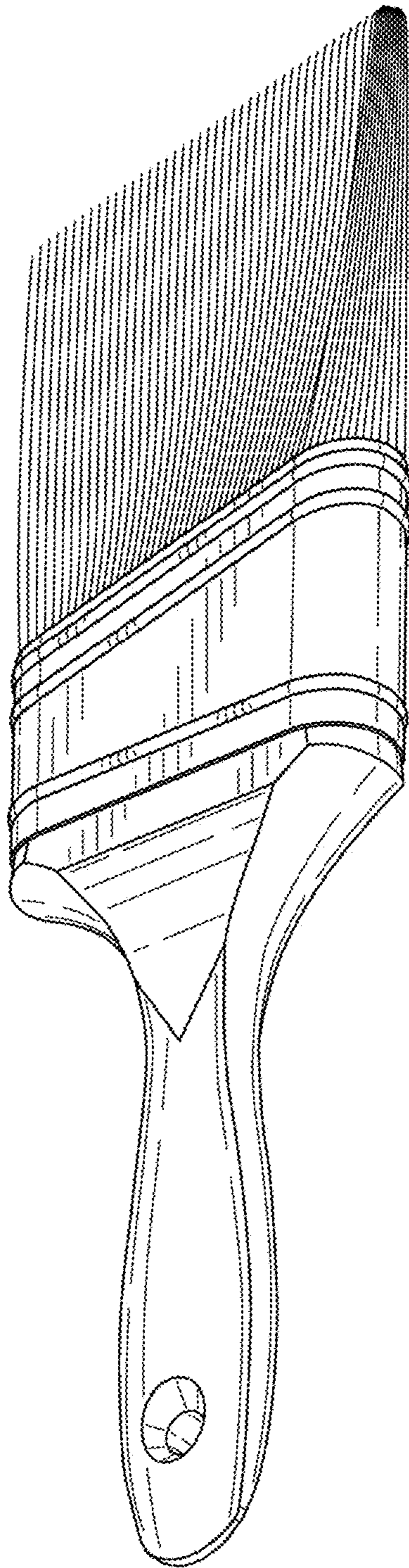


FIG. 2

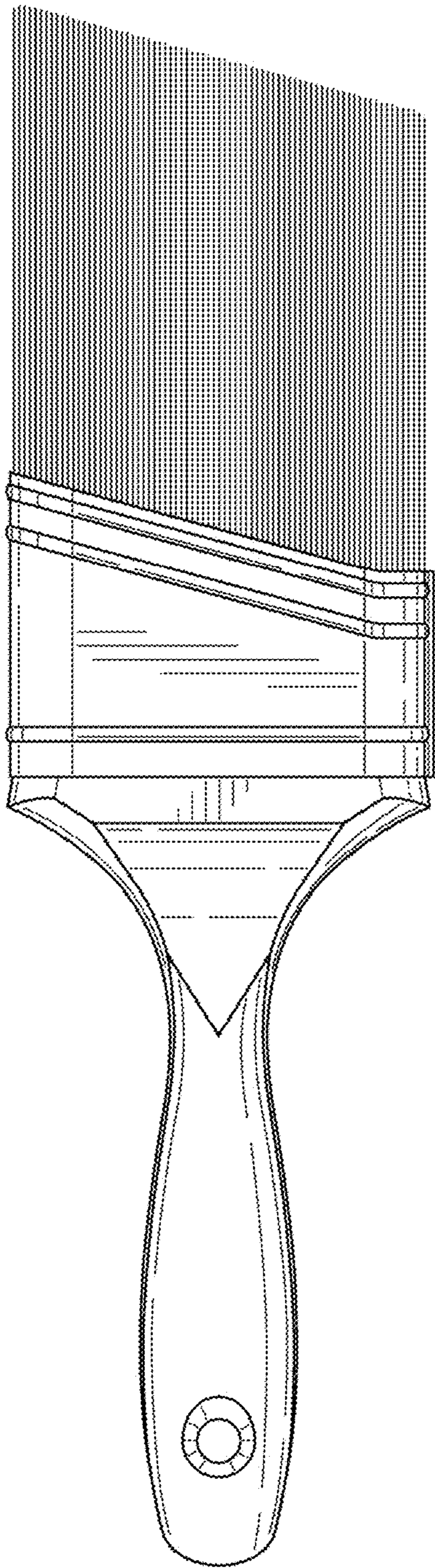


FIG. 3

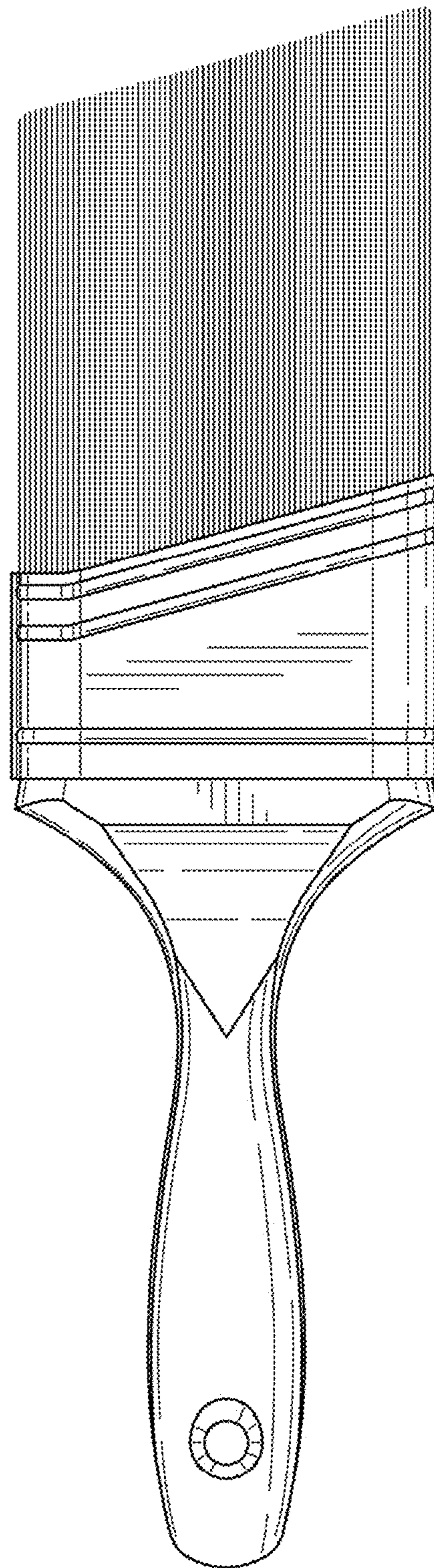


FIG. 4

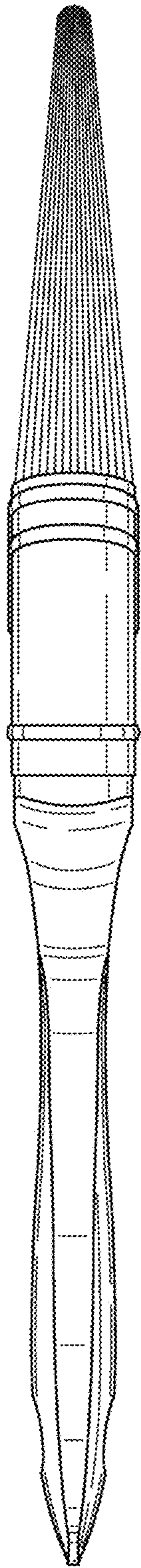


FIG. 5

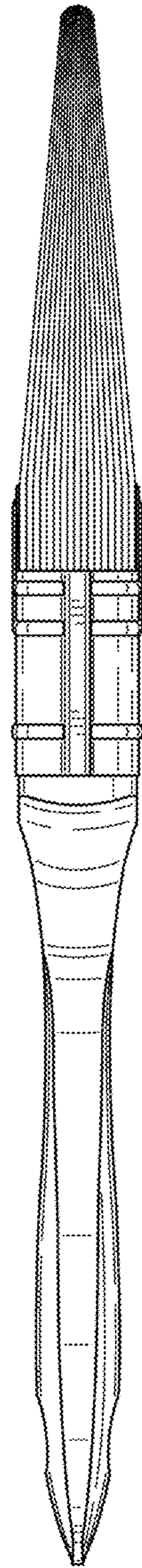


FIG. 6

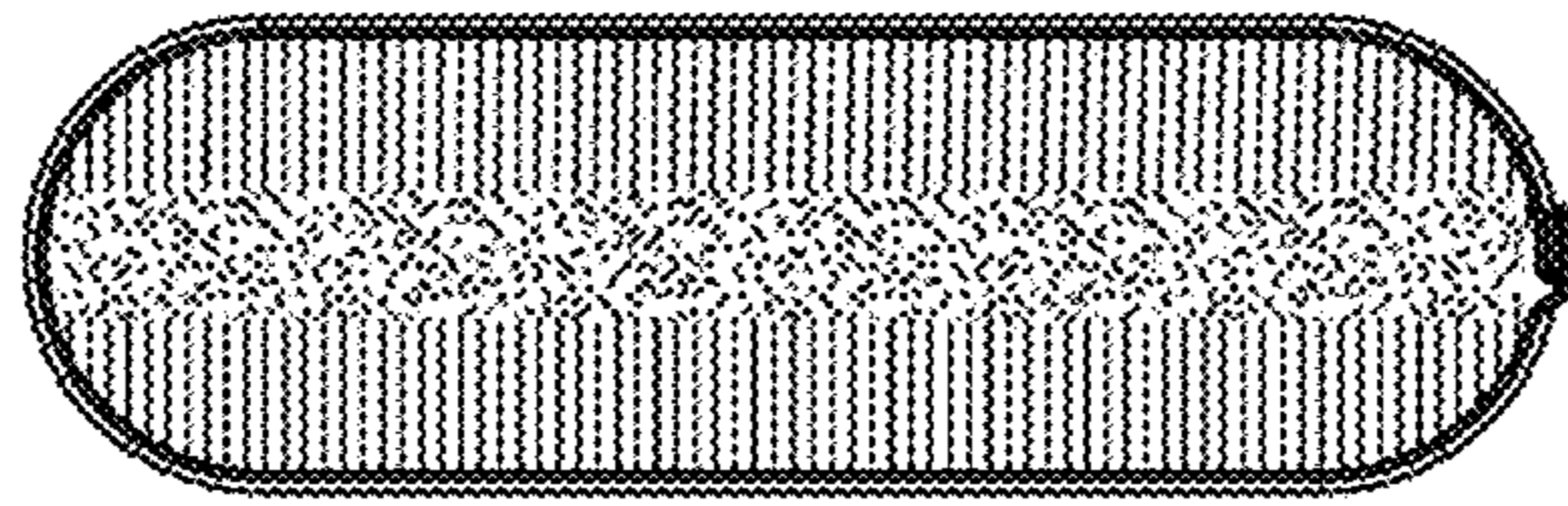


FIG. 7

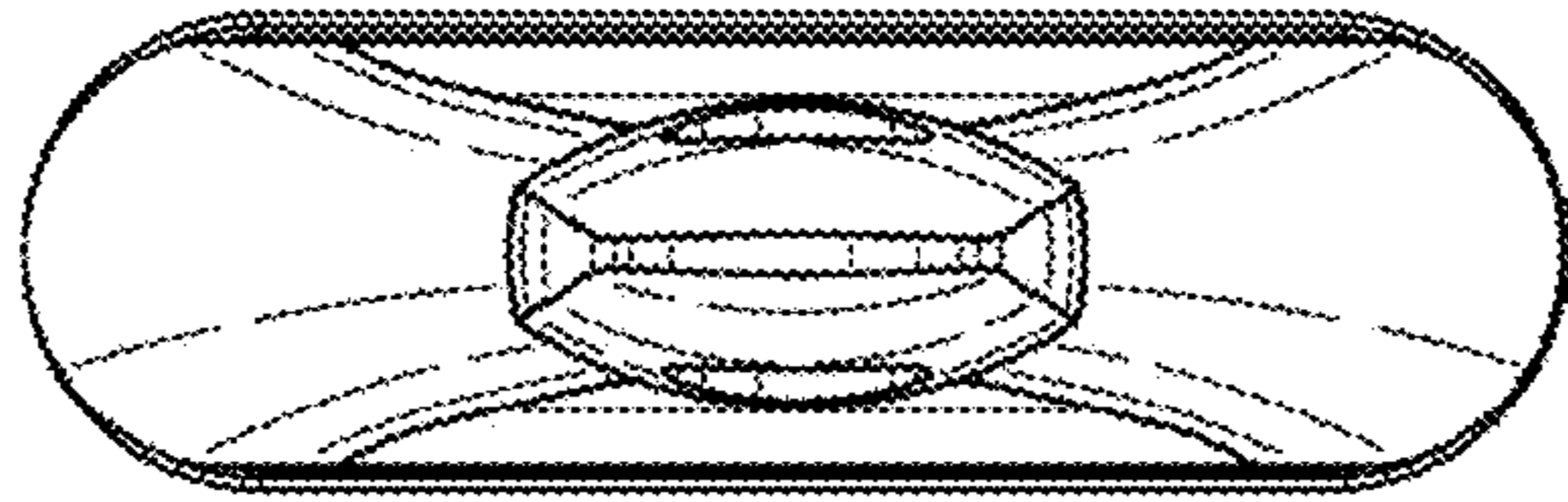


FIG. 8