



US00D889133S

(12) **United States Design Patent**
Rybacek

(10) **Patent No.:** **US D889,133 S**
(45) **Date of Patent:** **** Jul. 7, 2020**

(54) **BRUSH WITH COVER**

(71) Applicant: **Paris Presents Incorporated**, Gurnee, IL (US)

(72) Inventor: **Nicole Rybacek**, Woodstock, IL (US)

(73) Assignee: **Paris Presents Incorporated**, Gurnee, IL (US)

(**) Term: **15 Years**

(21) Appl. No.: **29/662,914**

(22) Filed: **Sep. 10, 2018**

(51) **LOC (12) Cl.** **28-03**

(52) **U.S. Cl.**
USPC **D4/116; D4/133; D4/100**

(58) **Field of Classification Search**
USPC D4/100, 102, 121, 127, 130, 132, 133, D4/134, 135, 136, 138, 199; D28/7, 63; D24/211, 214, 215; D32/35, 40
CPC A47K 7/043; A61H 7/00; A61H 7/003; A46B 9/02; A46B 13/02; A46B 2200/1006; A46B 2200/102
See application file for complete search history.

(56) **References Cited**

U.S. PATENT DOCUMENTS

2,006,234 A * 6/1935 Cosby A46B 5/00 15/143.1
2,090,050 A * 8/1937 Jackson A61H 7/003 601/154

(Continued)

FOREIGN PATENT DOCUMENTS

CN 304083916 * 3/2017
CN 304355707 * 11/2017

Primary Examiner — Karen E Eldridge Powers

(57) **CLAIM**

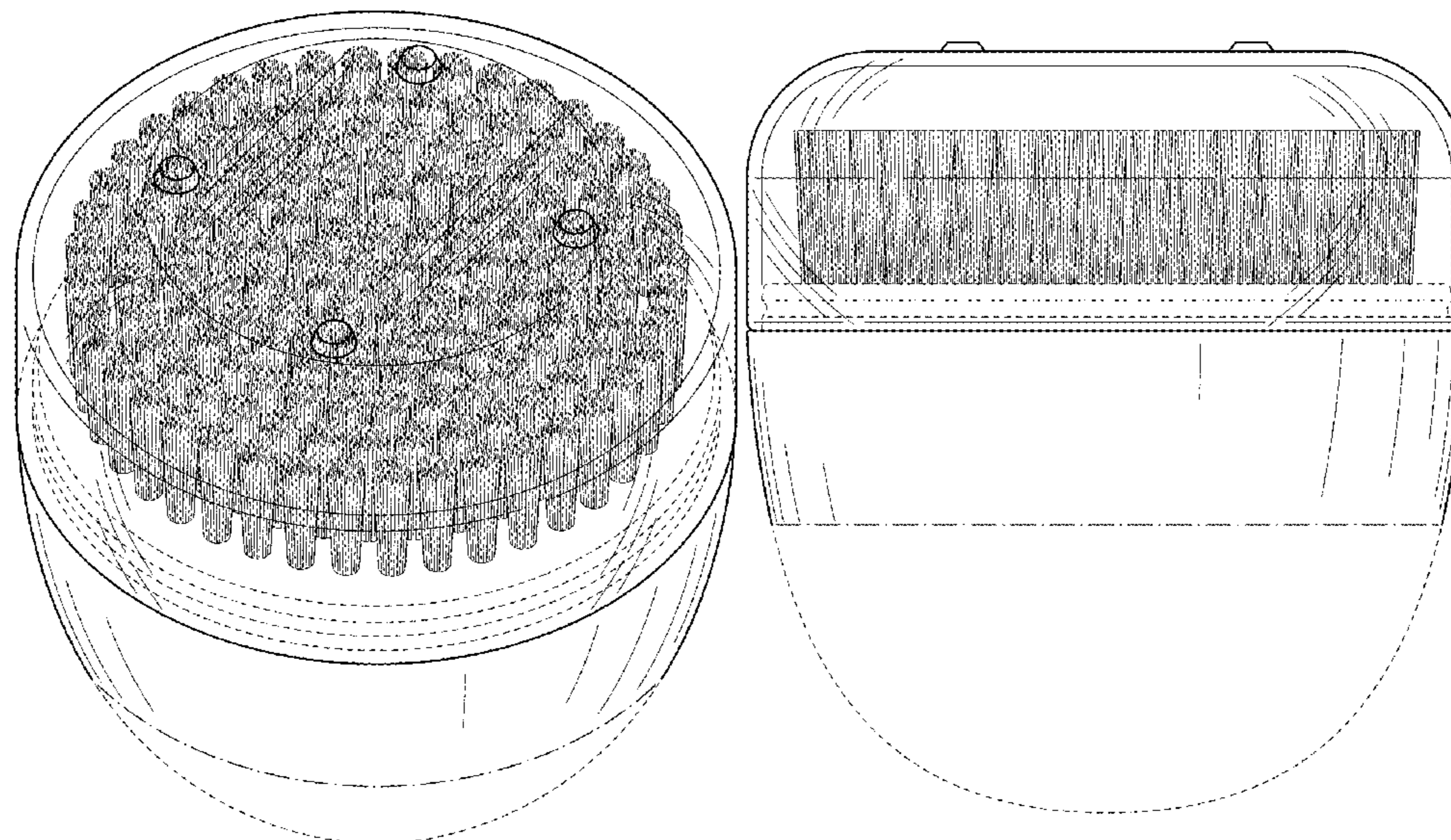
The ornamental design for a brush with cover, as shown and described.

DESCRIPTION

FIG. 1 is an isometric view of a top and side of an ornamental design for a brush with cover; FIG. 2 is a side elevational view of the brush with cover of FIG. 1, the other sides being identical thereto; FIG. 3 is a top plan view of the brush with cover of FIG. 1; FIG. 4 is a bottom plan view of the brush with cover of FIG. 1; FIG. 5 is an isometric view of a top and side of another ornamental design for a brush with cover; FIG. 6 is a side elevational view of the brush with cover of FIG. 5, the other sides being identical thereto; FIG. 7 is a top plan view of the brush with cover of FIG. 5; FIG. 8 is a bottom plan view of the brush with cover of FIG. 5; FIG. 9 is an isometric view of a top and side of still another ornamental design for a brush with cover; FIG. 10 is a side elevational view of the brush with cover of FIG. 9, the other sides being identical thereto; FIG. 11 is a top plan view of the brush with cover of FIG. 9; FIG. 12 is a bottom plan view of the brush with cover of FIG. 9; FIG. 13 is an isometric view of a top and side of yet another ornamental design for a brush with cover; FIG. 14 is a side elevational view of the brush with cover of FIG. 13, the other sides being identical thereto; FIG. 15 is a top plan view of the brush with cover of FIG. 13; and, FIG. 16 is a bottom plan view of the brush with cover of FIG. 13.

The dash-dash-dash lines are for the purpose of illustrating portions of the article that form no part of the claimed design. The dash-dot-dash lines form no part of the claimed design and represent a boundary line.

1 Claim, 12 Drawing Sheets



(56)

References Cited

U.S. PATENT DOCUMENTS

3,597,097 A * 8/1971 Kellis A46B 11/0041
401/6
3,597,098 A * 8/1971 Kellis A46B 11/0041
401/6
D226,941 S * 5/1973 Benty D4/102
D295,342 S * 4/1988 van Asten D4/102
D303,761 S * 10/1989 Desgrippes D9/719
D307,216 S * 4/1990 Yuen D32/14.1
D324,776 S * 3/1992 Griffin 401/269
D458,031 S * 6/2002 Park D4/121
D702,046 S * 4/2014 Zmrhal D4/120
D734,949 S * 7/2015 Behnam D4/127
D743,174 S * 11/2015 von Berg D4/102
D744,755 S * 12/2015 Reishus D4/102
D797,461 S * 9/2017 Dandridge D4/127
D810,447 S * 2/2018 Dandridge D4/127
D811,096 S * 2/2018 Dandridge D4/127
D828,034 S * 9/2018 Rybacek D4/102
D829,004 S * 9/2018 Cohen D4/102
D838,489 S * 1/2019 Bruce D4/102
D853,124 S * 7/2019 Liu D4/102
D864,577 S * 10/2019 Keast D4/102
D866,165 S * 11/2019 Luo D3/205
D876,842 S * 3/2020 Tschopp D4/127
2020/0037747 A1 * 2/2020 Khormaei A47K 7/043

* cited by examiner

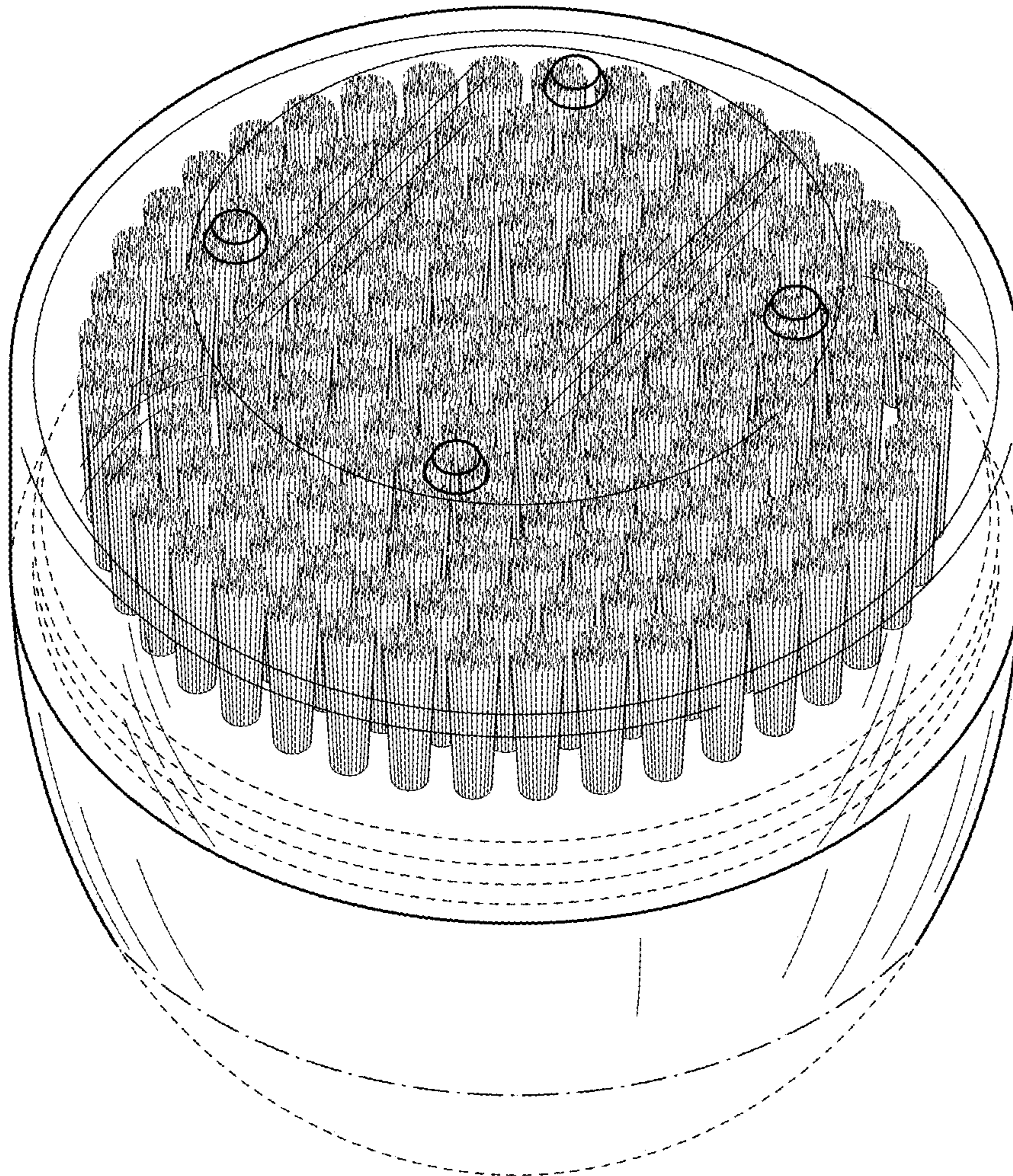


FIG. 1

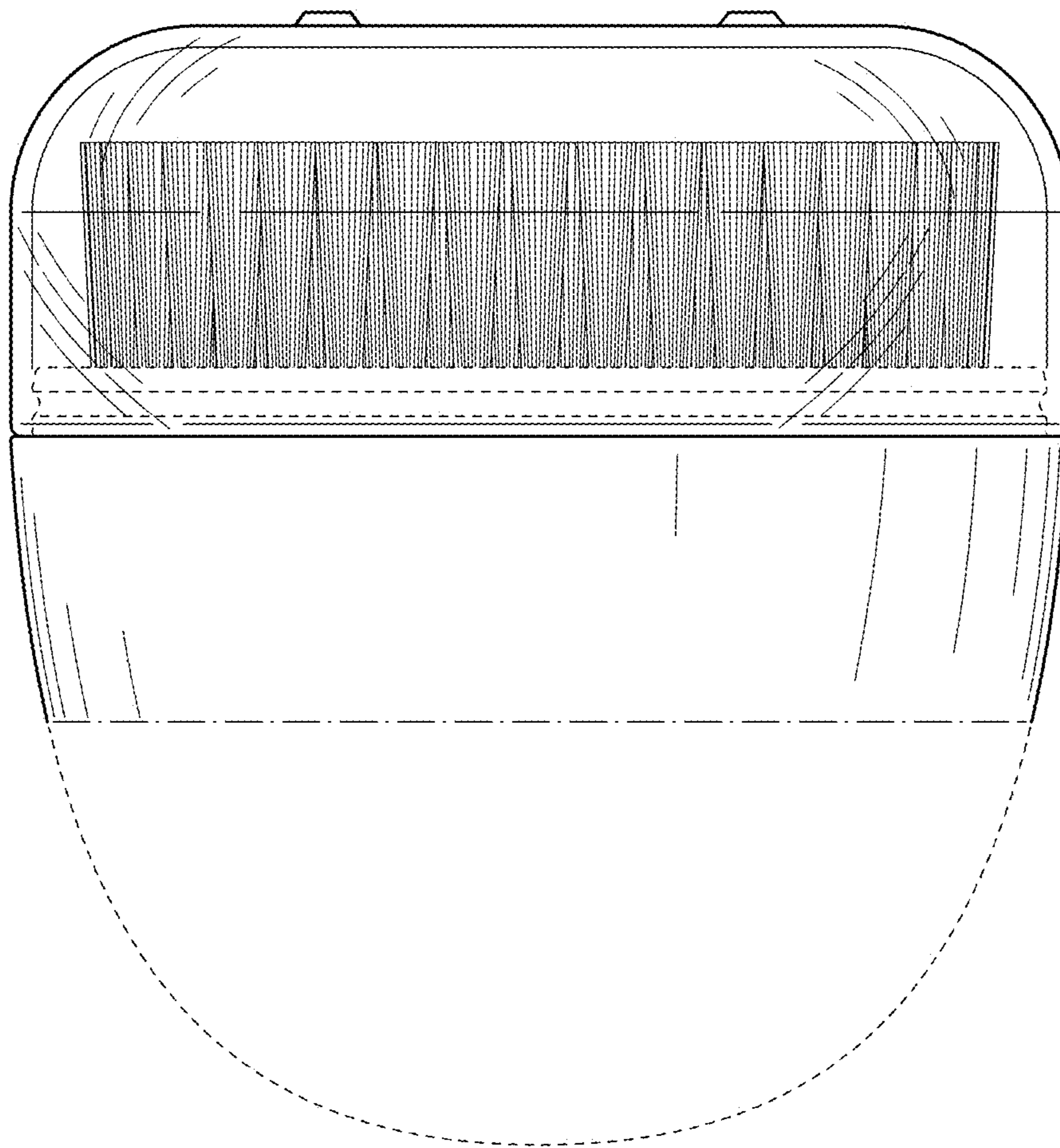


FIG. 2

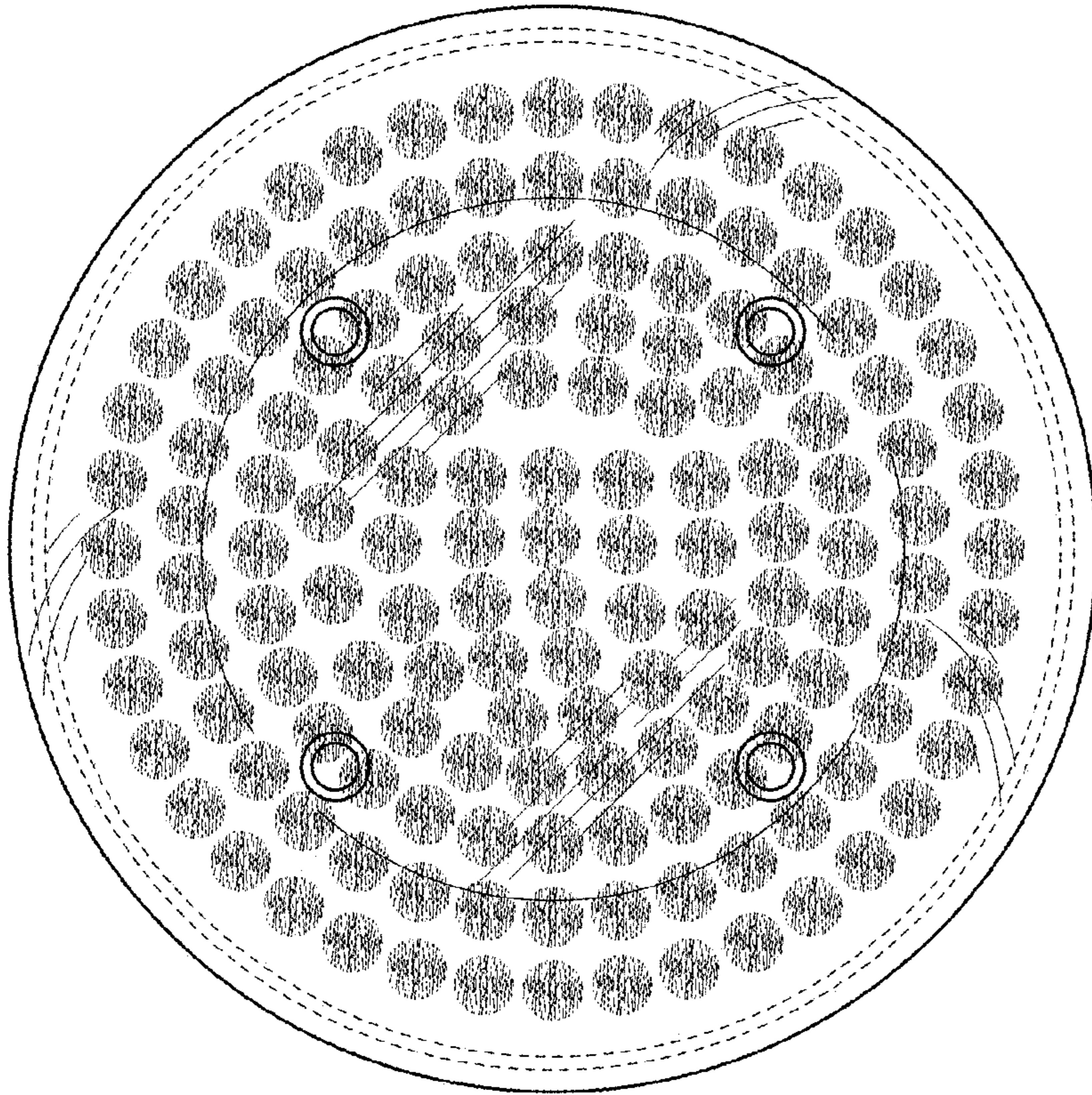


FIG. 3

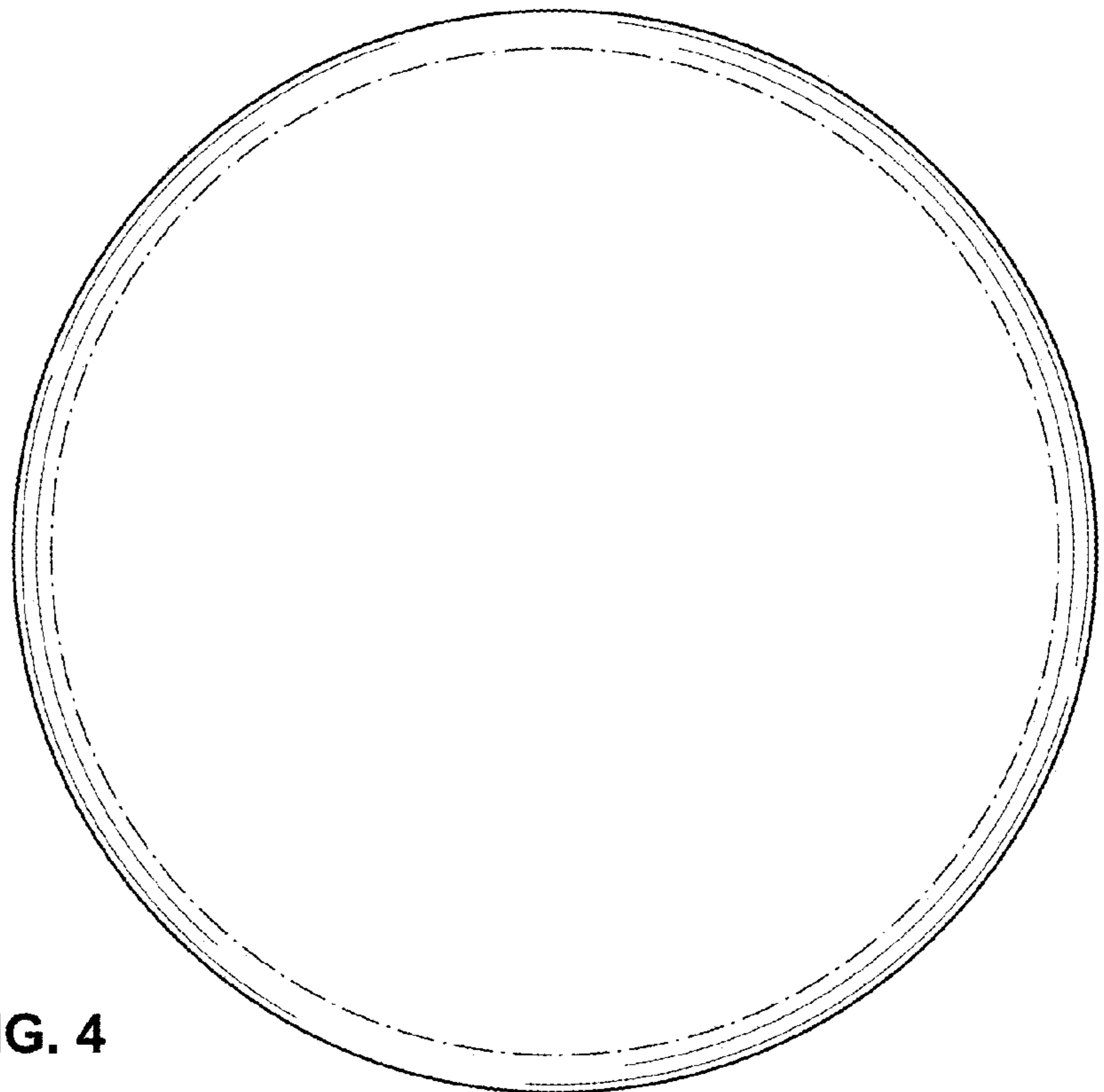


FIG. 4

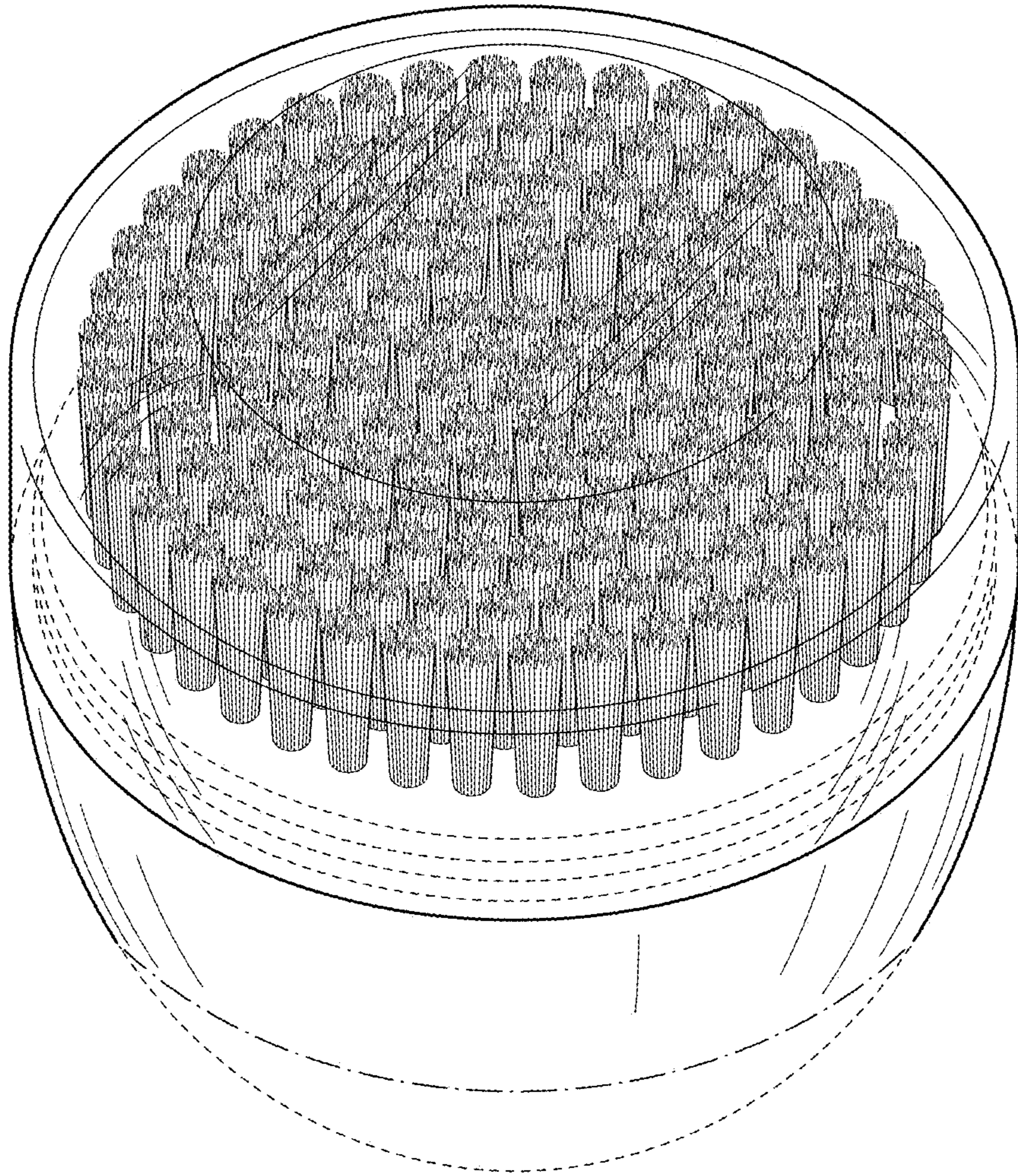


FIG. 5

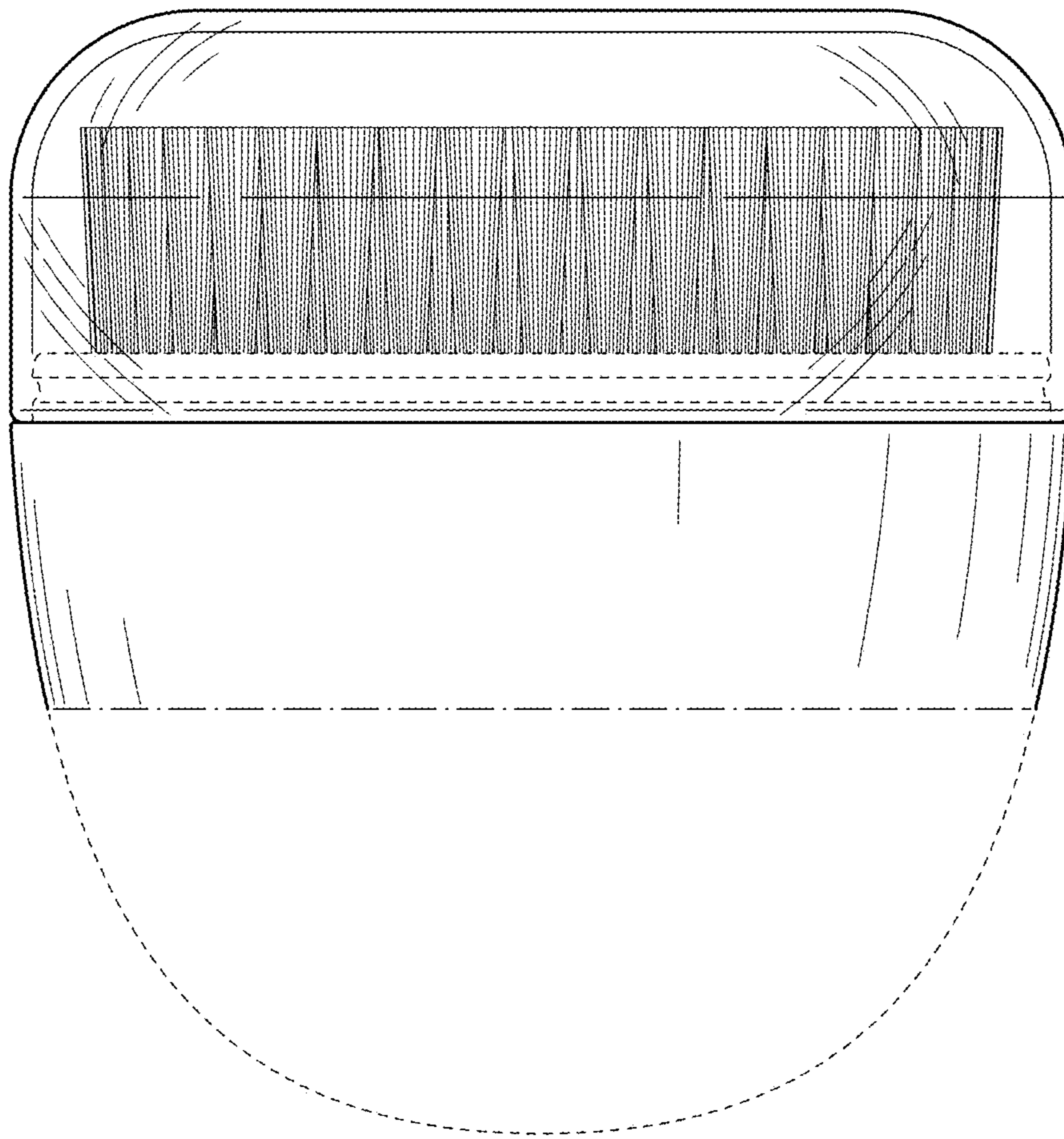


FIG. 6

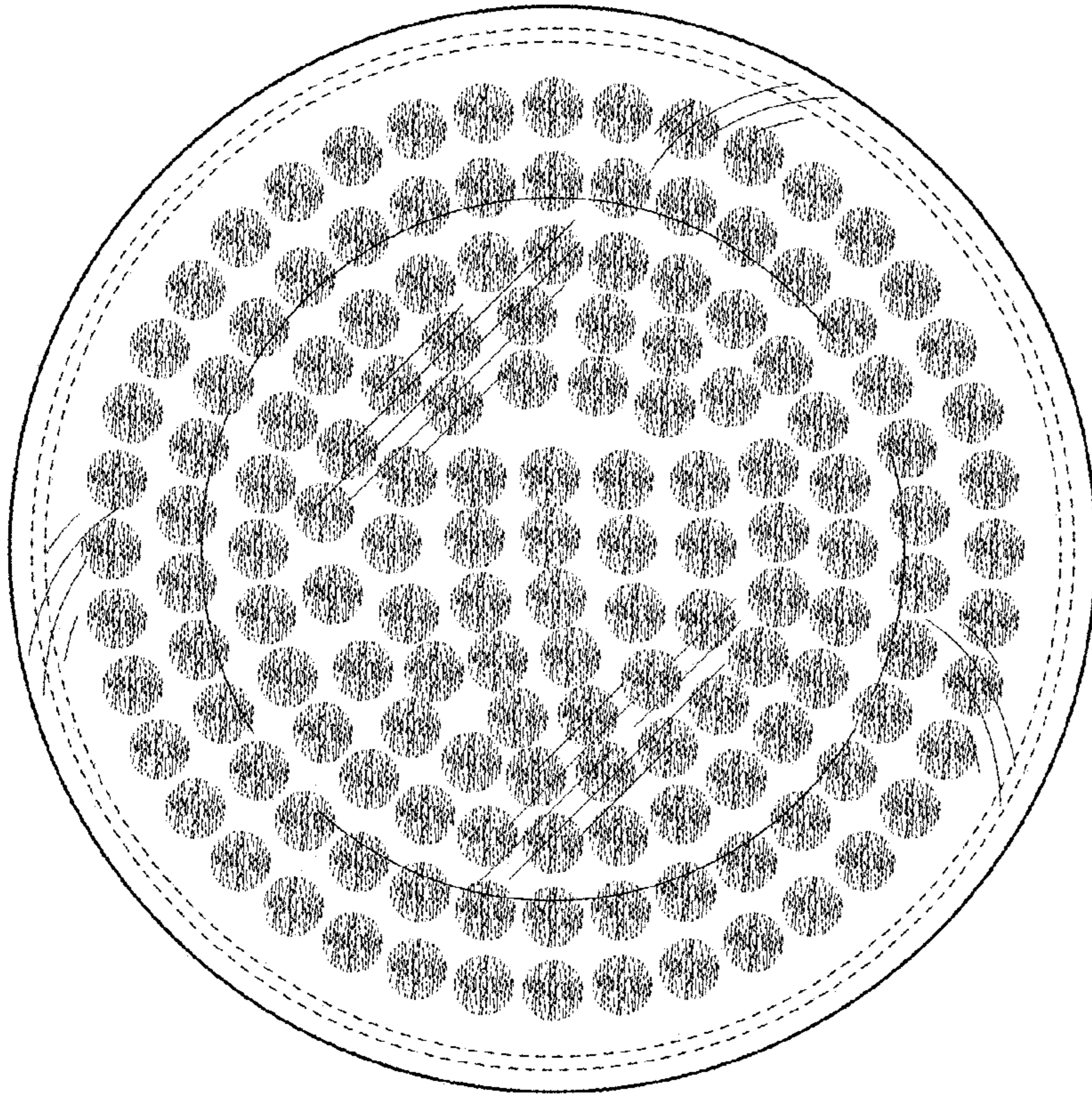


FIG. 7

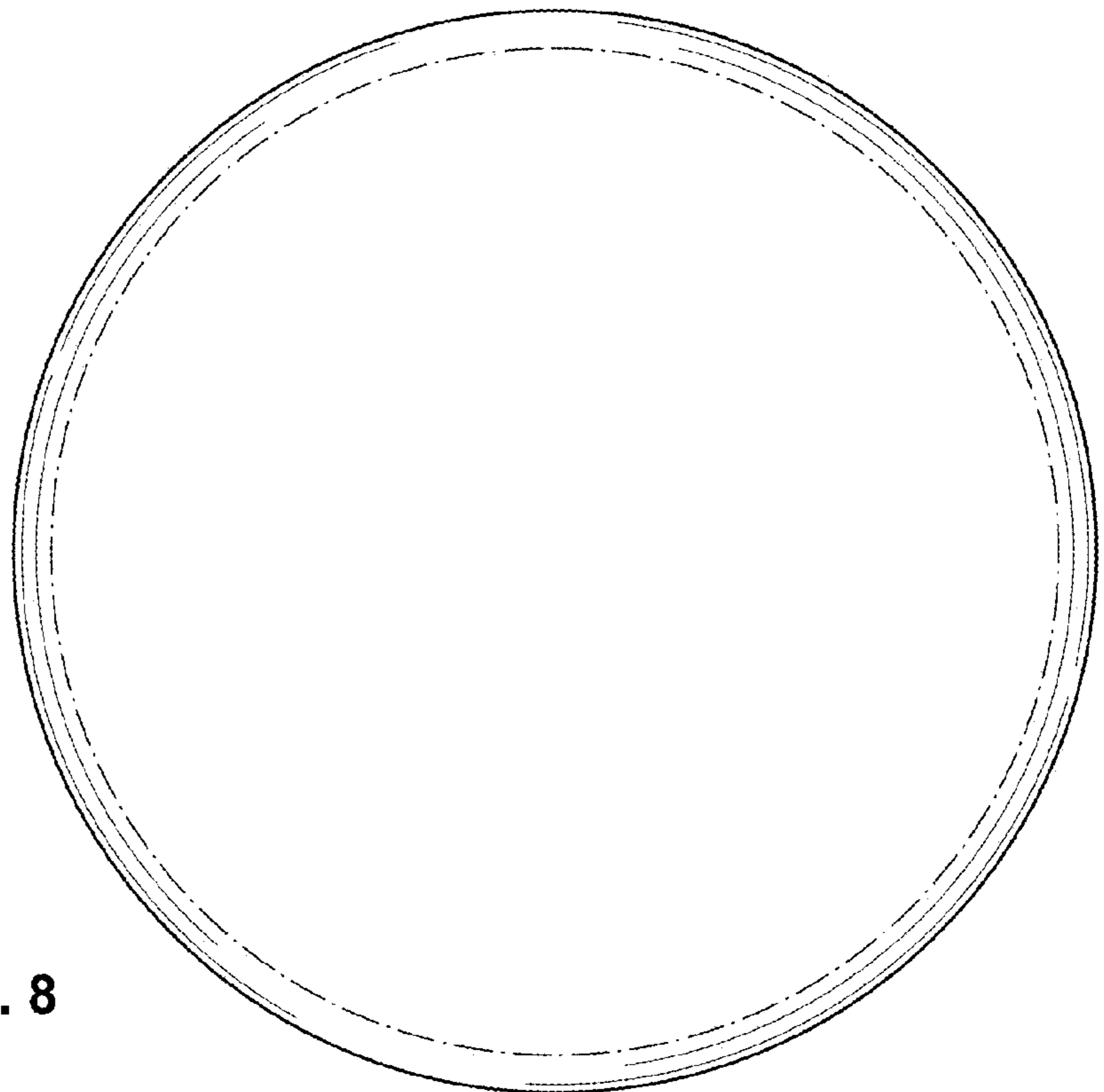


FIG. 8

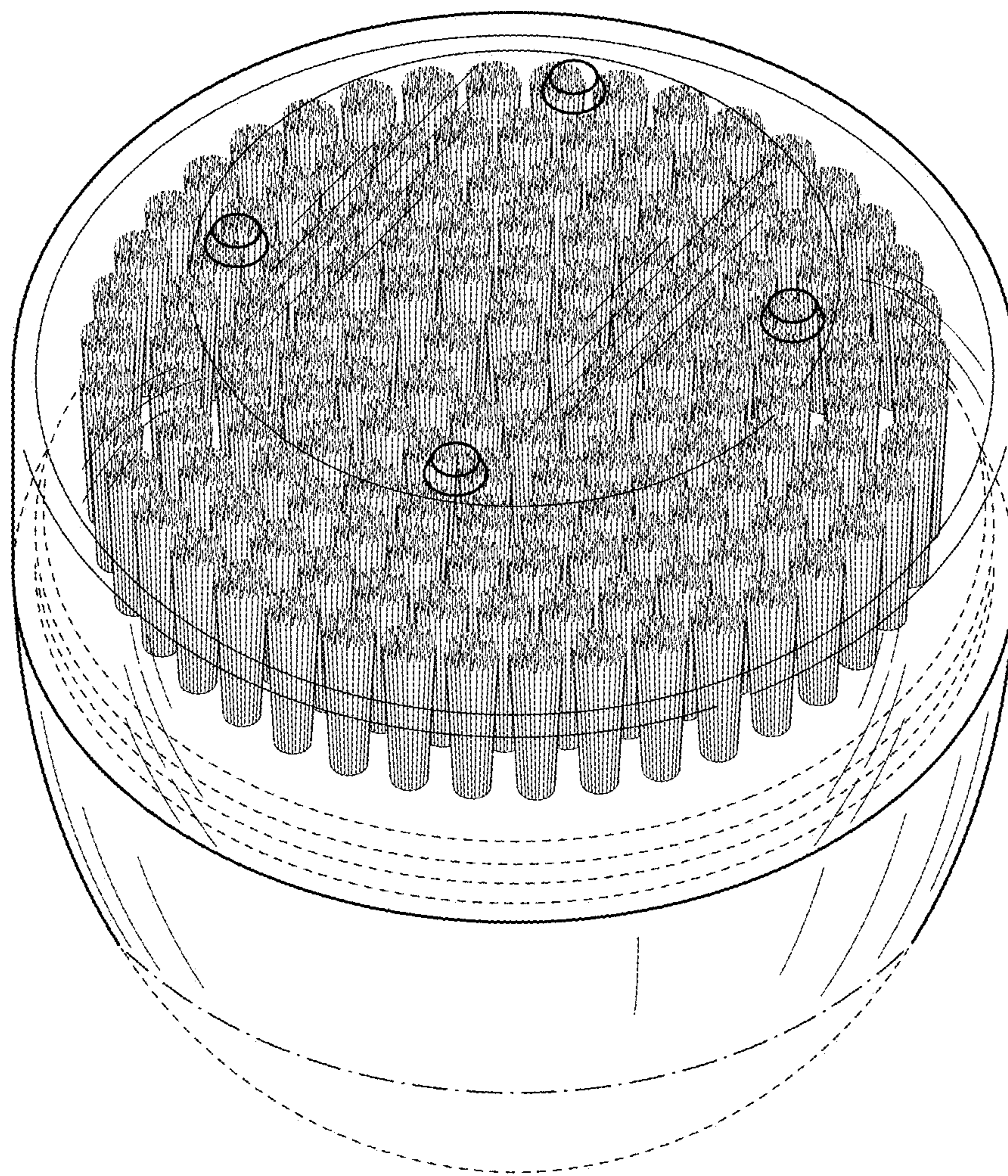


FIG. 9

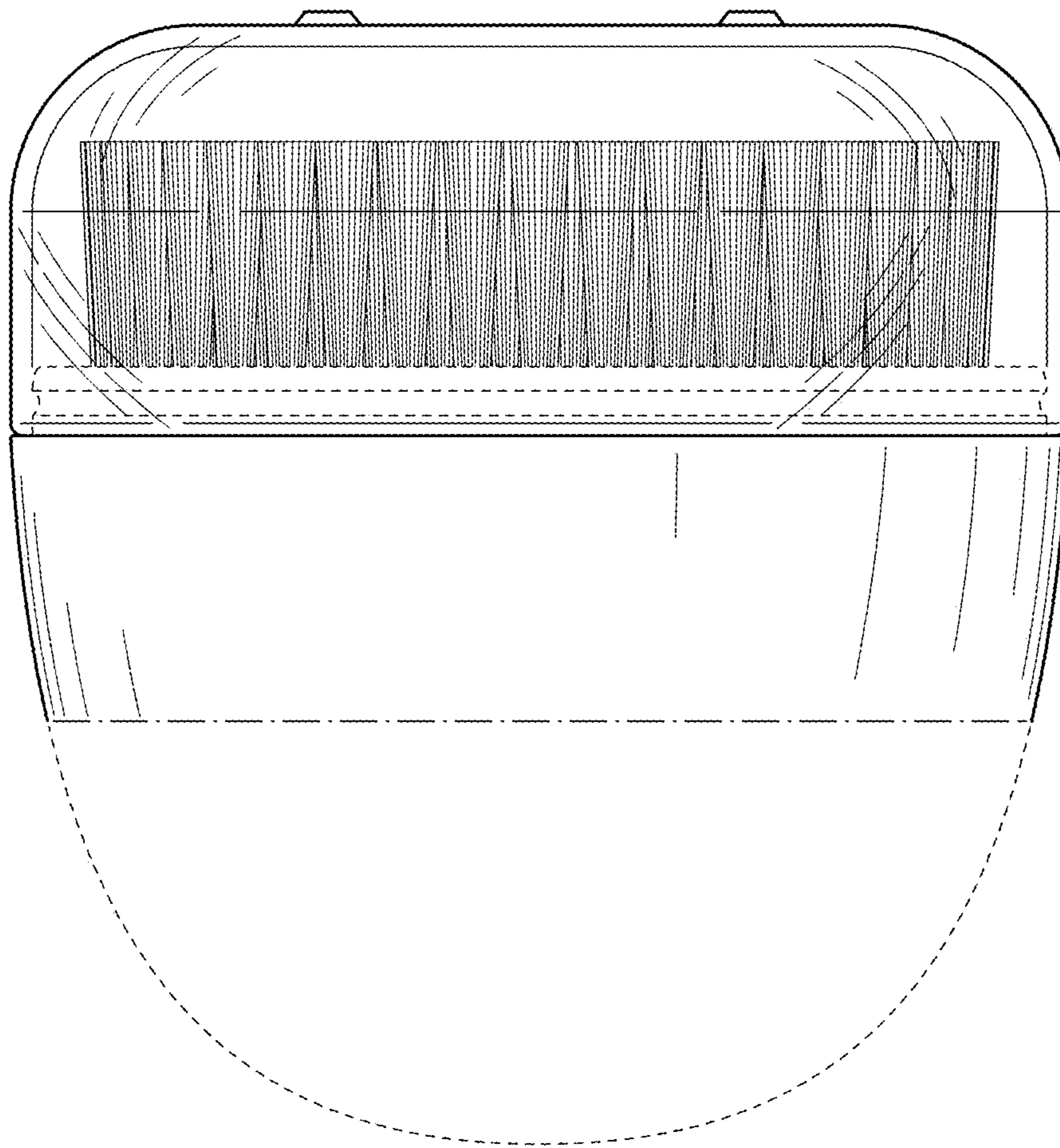


FIG. 10

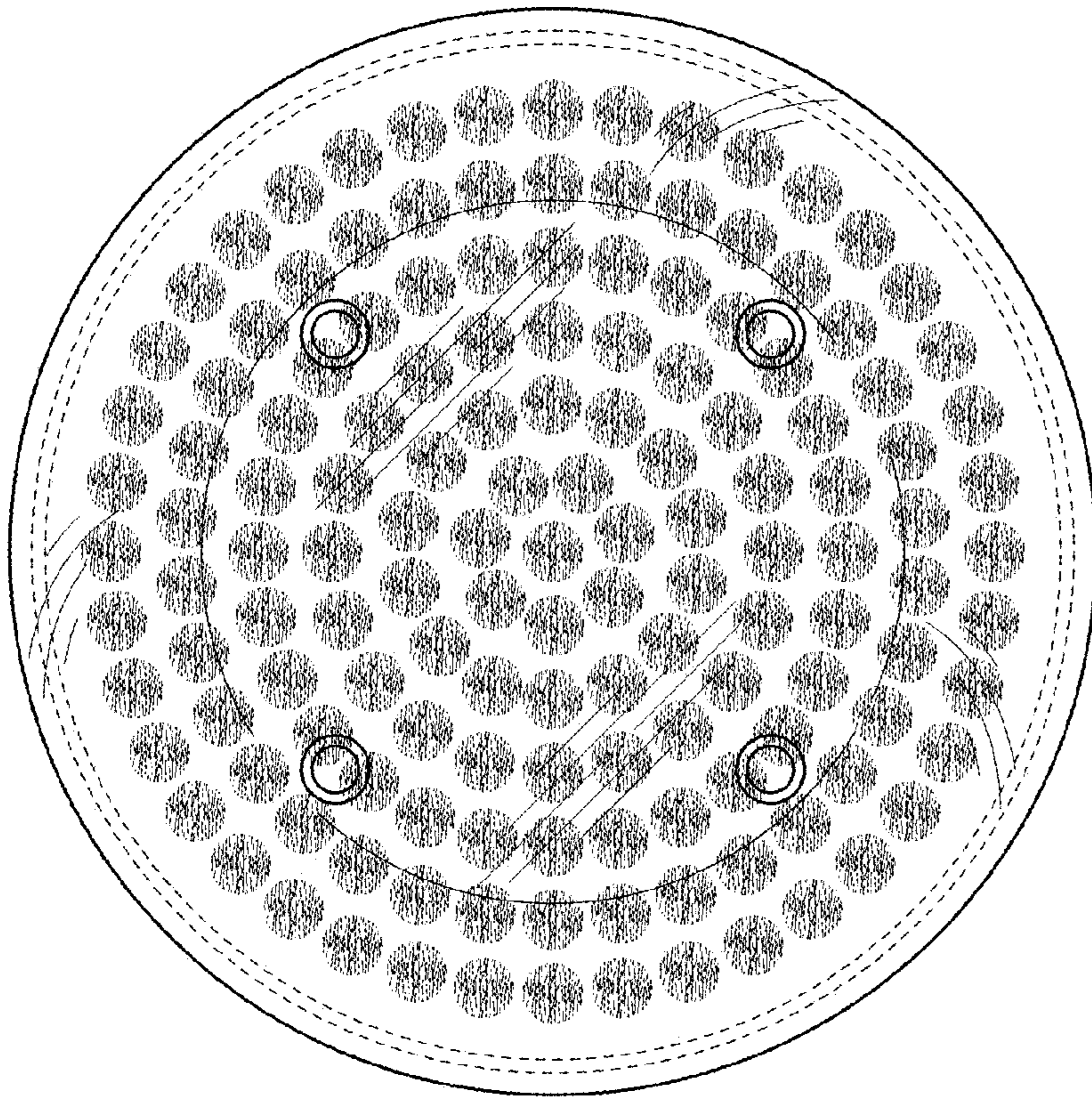


FIG. 11

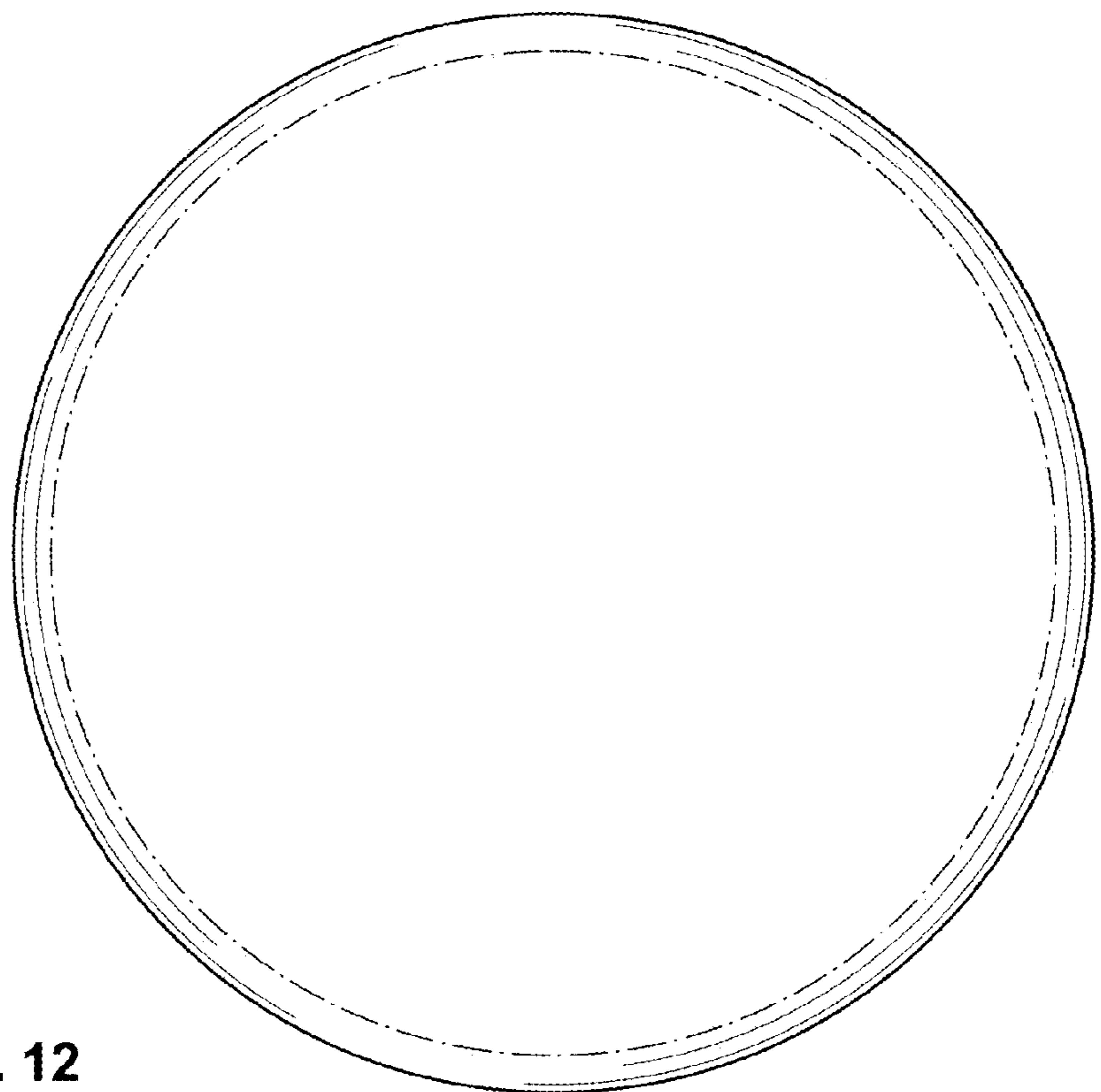


FIG. 12

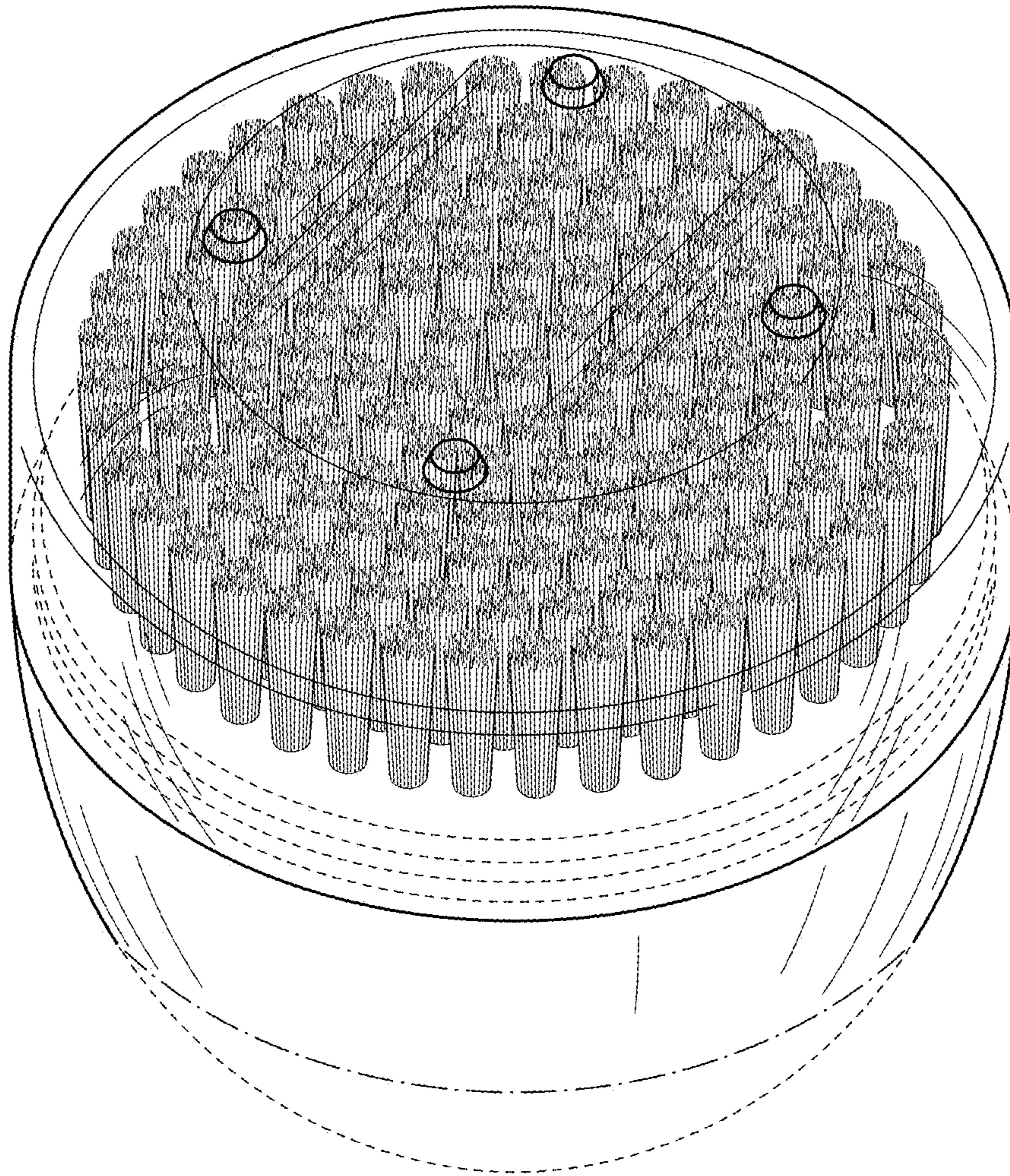


FIG. 13

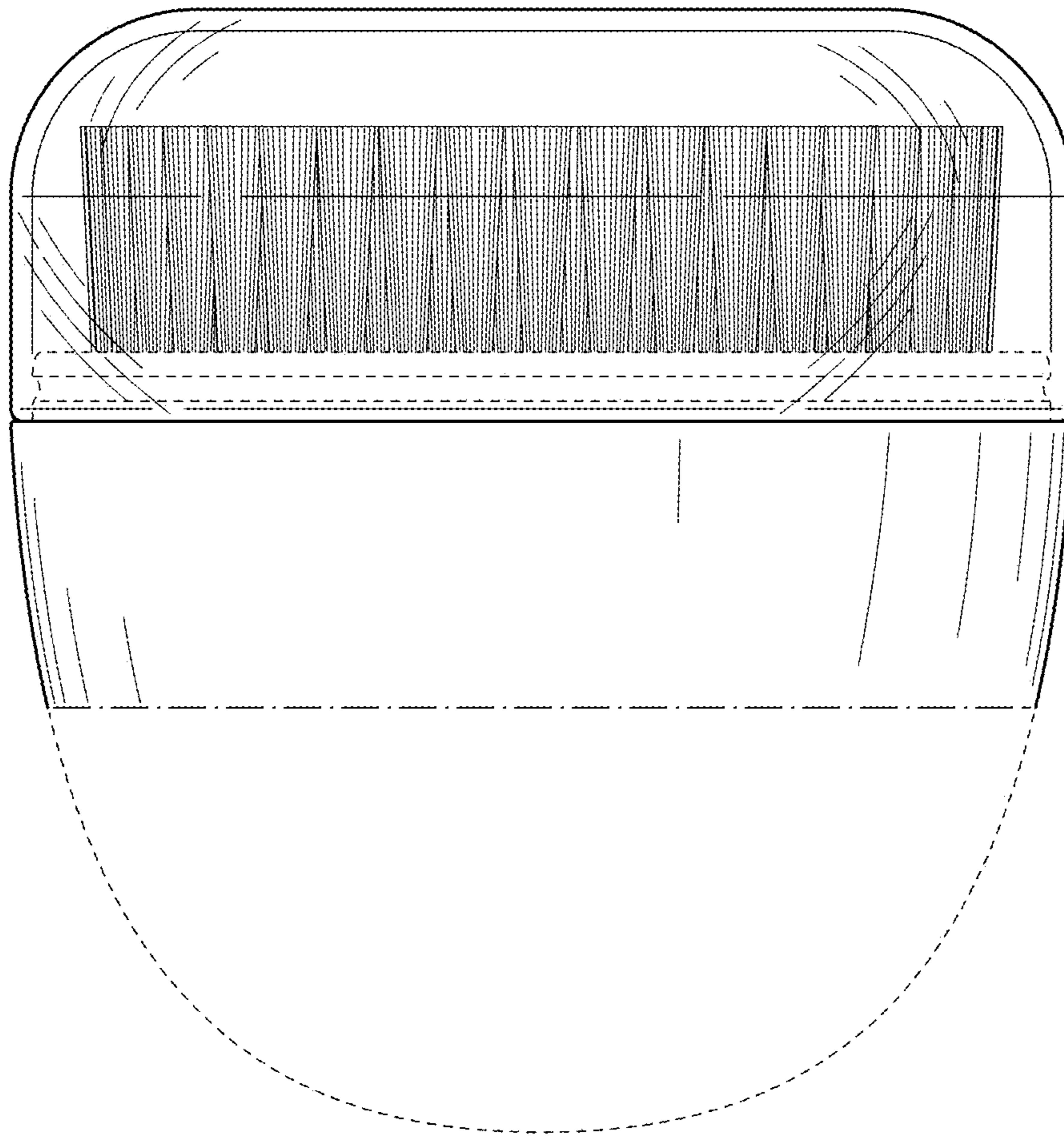


FIG. 14

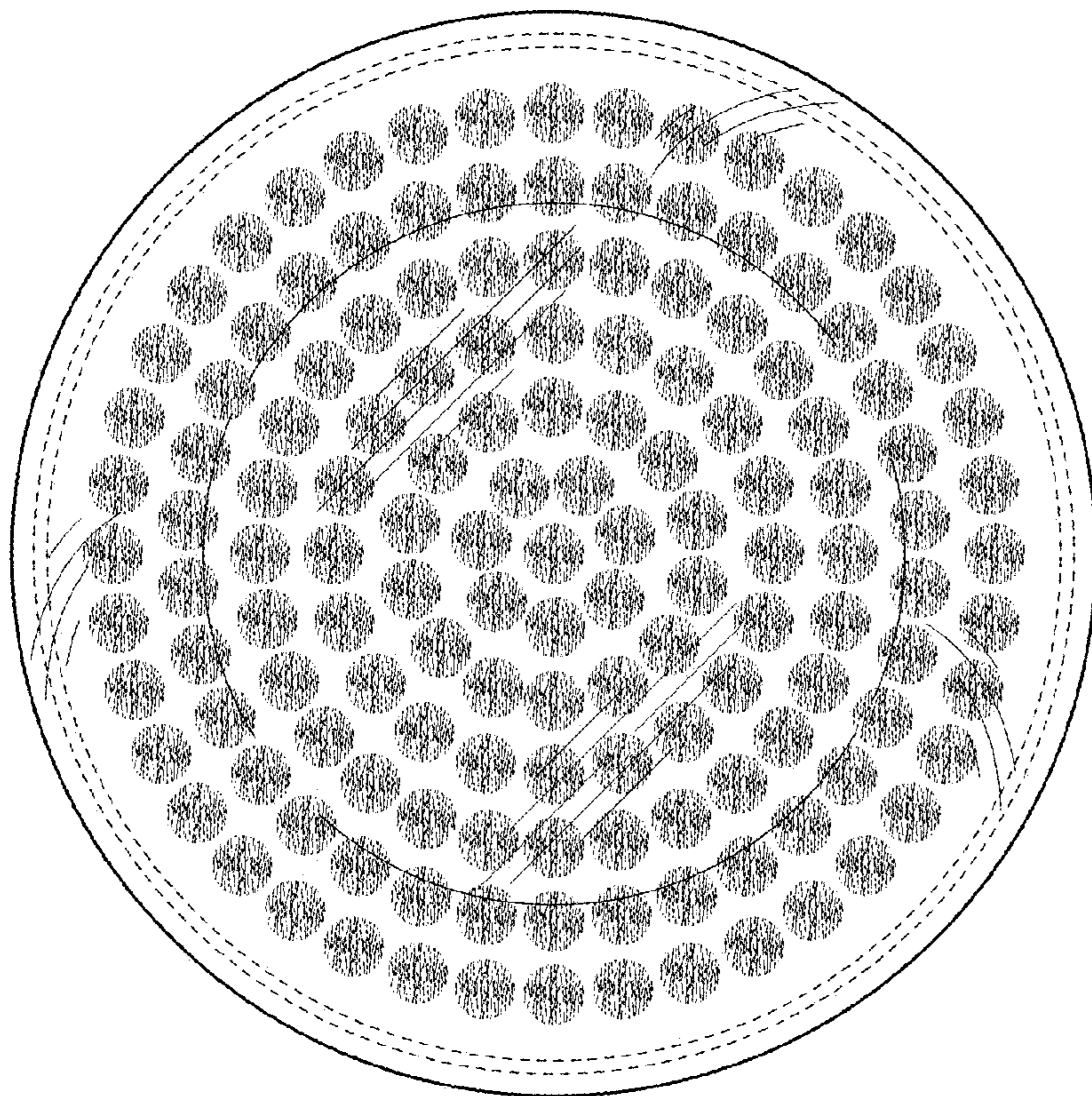


FIG. 15

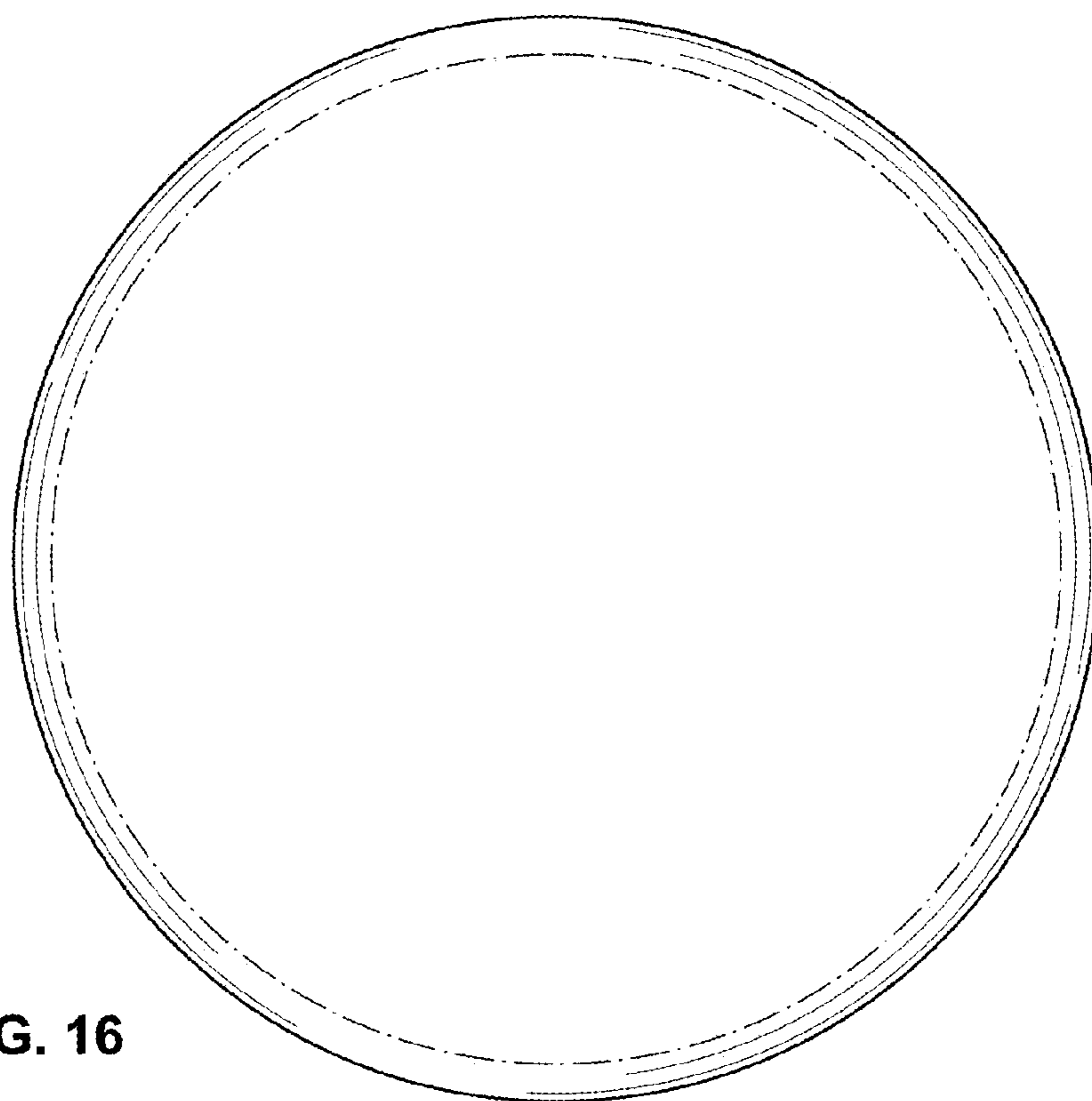


FIG. 16