



US00D889129S

(12) **United States Design Patent** (10) **Patent No.:** **US D889,129 S**
Janowick et al. (45) **Date of Patent:** **** Jul. 7, 2020**

(54) **STRAIGHTENING BRUSH**

FOREIGN PATENT DOCUMENTS

- (71) Applicant: **DryBar Holdings LLC**, Irvine, CA (US)
- (72) Inventors: **David T. Janowick**, Santa Ana, CA (US); **Jane Yoojung Moon**, Fullerton, CA (US); **Stephen Joseph Gwin**, Playa del Rey, CA (US)
- (73) Assignee: **Helen of Troy Limited**, St. Michael (BB)
- (**) Term: **15 Years**

CN	303953576	* 11/2016
CN	303962042	* 12/2016
CN	303990661	* 12/2016

OTHER PUBLICATIONS

Screen captures from video, "DryBar Heated Straightening Brush Review," by Aislinn Giles [on-line]. [Published Dec. 30, 2018.] [Retrieved from the Internet Mar. 2, 2020.] URL: <https://www.youtube.com/watch?v=9nDmH1q0P4> (Year: 2018).*

"Beauty Review: DryBar Brush Crush and Hot Toddy Mist," by Kelsey Lynn [on-line]. [Published Sep. 18, 2018.] [Retrieved from the Internet Mar. 2, 2020.] URL: <https://kelseylynnb.com/beauty-review-drybar-brush-crush-and-hot-toddy-mist/> (Year: 2018).*

* cited by examiner

Primary Examiner — Karen E Eldridge Powers
 (74) *Attorney, Agent, or Firm* — Rankin, Hill & Clark LLP

- (21) Appl. No.: **29/672,249**
- (22) Filed: **Dec. 4, 2018**
- (51) **LOC (12) Cl.** **28-03**
- (52) **U.S. Cl.**
USPC **D4/100; D28/35**
- (58) **Field of Classification Search**
USPC D4/100, 117, 120, 121, 130, 136, 138, D4/199; 132/120; D28/24, 25, 35
CPC A45D 20/48; A45D 20/50; A45D 20/52; A45D 24/16; A45D 24/007; A45D 2/001; A45D 2/002; A45D 7/02; A46B 15/003; A46B 15/0059; A46B 9/023
See application file for complete search history.

(57) **CLAIM**

The ornamental design for a straightening brush, as shown and described.

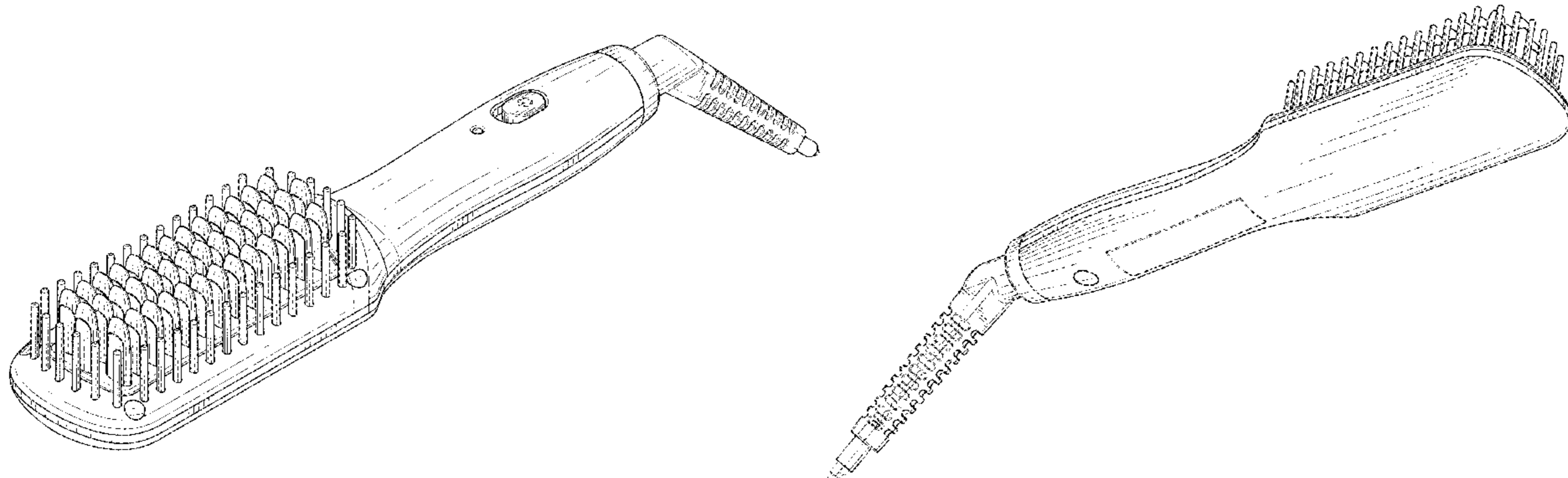
DESCRIPTION

FIG. 1 is a front perspective view of a straightening brush embodying our design;
 FIG. 2 is a rear perspective view thereof;
 FIG. 3 is a right-side elevation view thereof;
 FIG. 4 is a left-side elevation view thereof;
 FIG. 5 is a front elevation view thereof;
 FIG. 6 is a rear elevation view thereof;
 FIG. 7 is a top plan view thereof; and,
 FIG. 8 is a bottom plan view thereof.
 The broken lines illustrate portions of the straightening brush and form no part of the claimed subject matter.

1 Claim, 7 Drawing Sheets

(56) **References Cited**
 U.S. PATENT DOCUMENTS

D804,188	S	*	12/2017	Du	D4/100
D815,774	S	*	4/2018	Mercier	D28/25
D815,837	S	*	4/2018	Zhou	D4/100
D821,648	S	*	6/2018	Qiu	D28/25
D821,754	S	*	7/2018	Huang	D4/100
D825,929	S	*	8/2018	Julemont	D4/100
D826,567	S	*	8/2018	Yan	D4/100
D836,344	S	*	12/2018	Keong	D4/100
D838,989	S	*	1/2019	Yan	D4/100
D842,539	S	*	3/2019	Guy-Rabi	D28/35
D848,745	S	*	5/2019	Park	D4/100
D855,996	S	*	8/2019	Park	D4/100



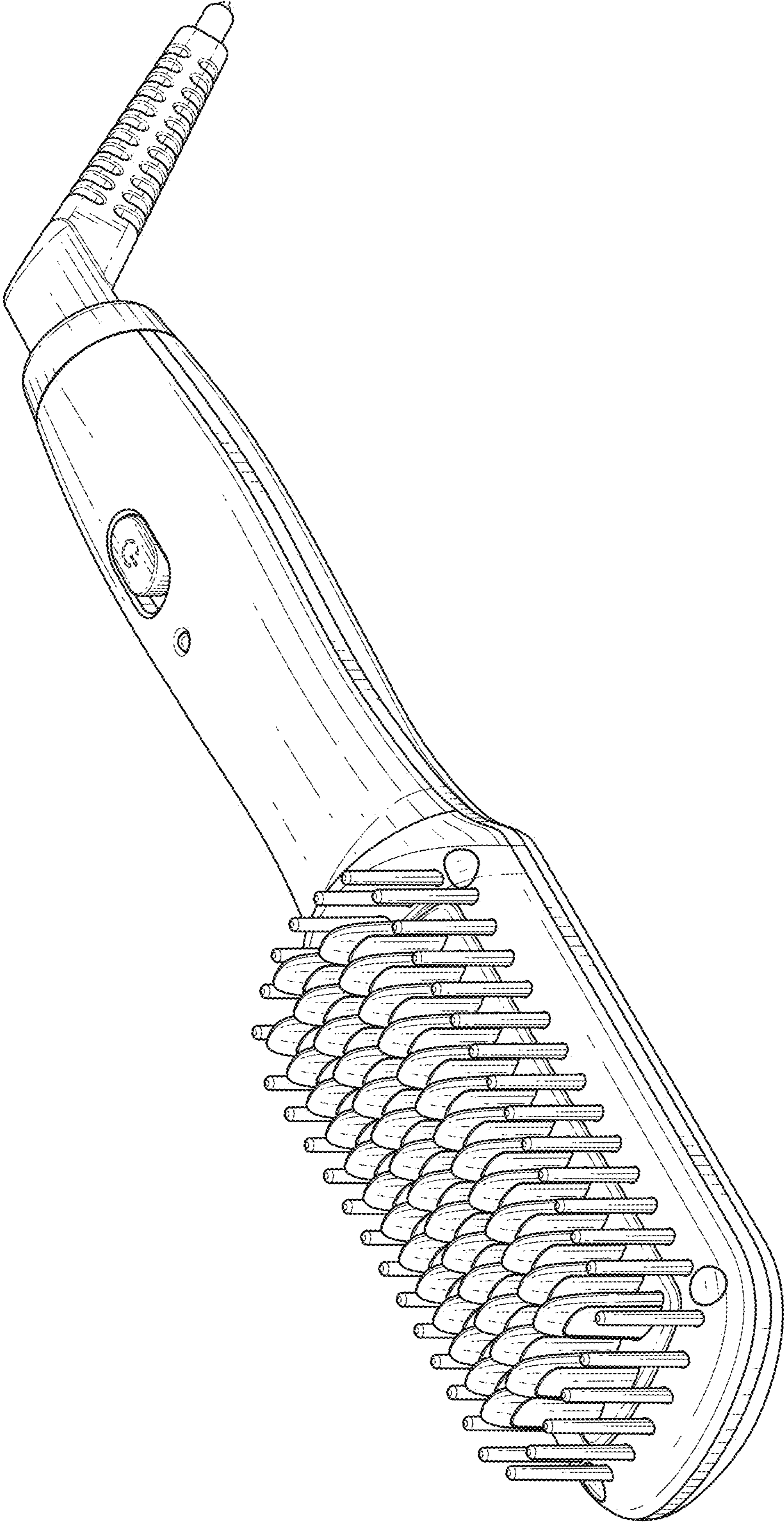


FIG. 1

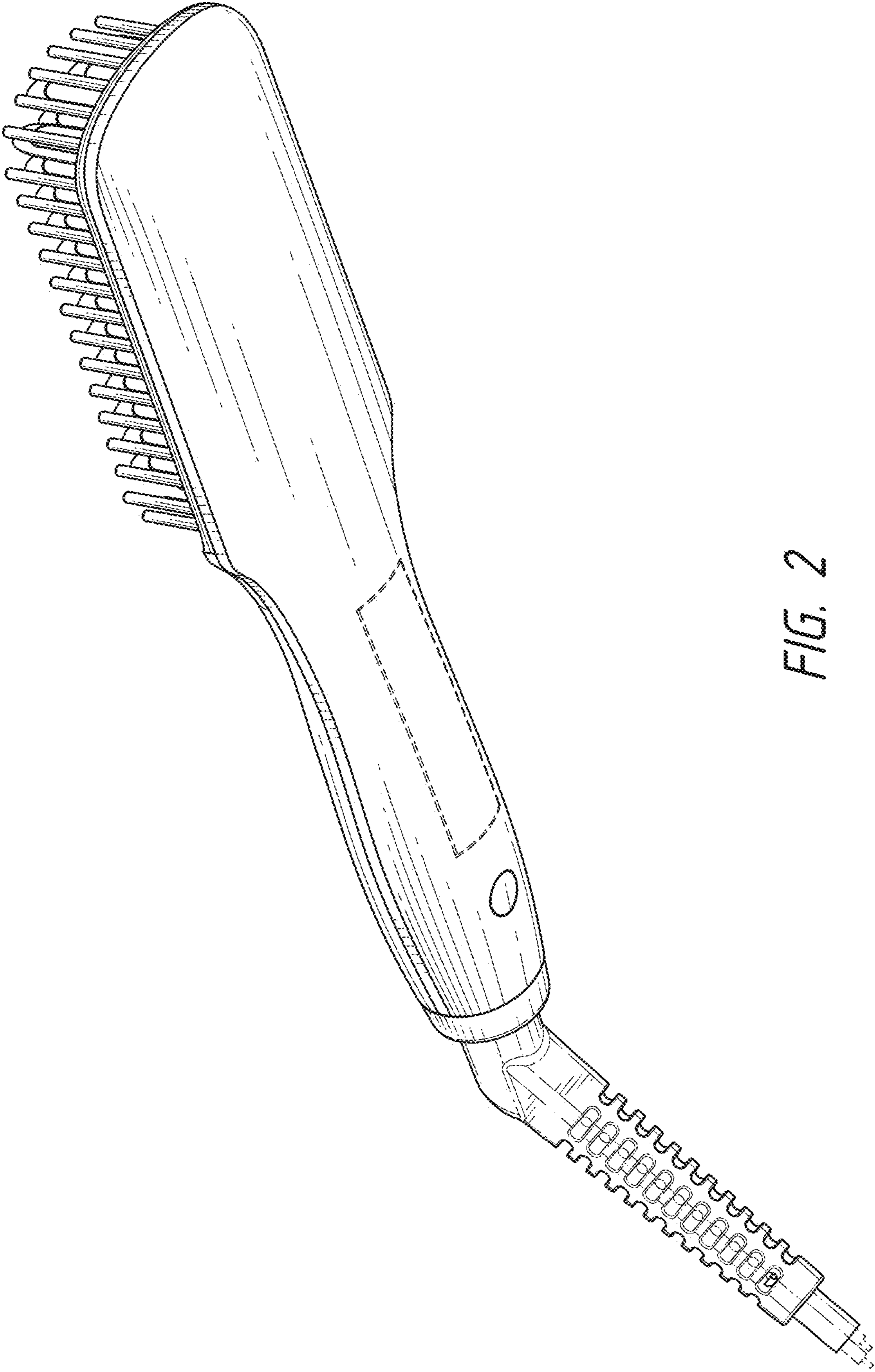


FIG. 2

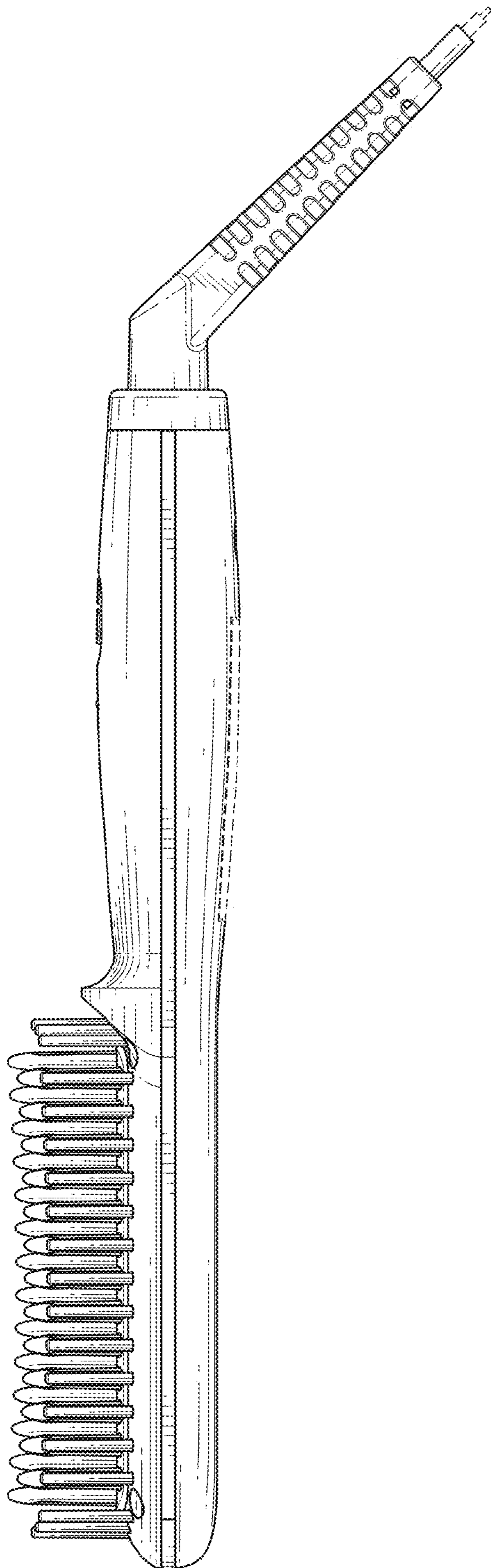


FIG. 3

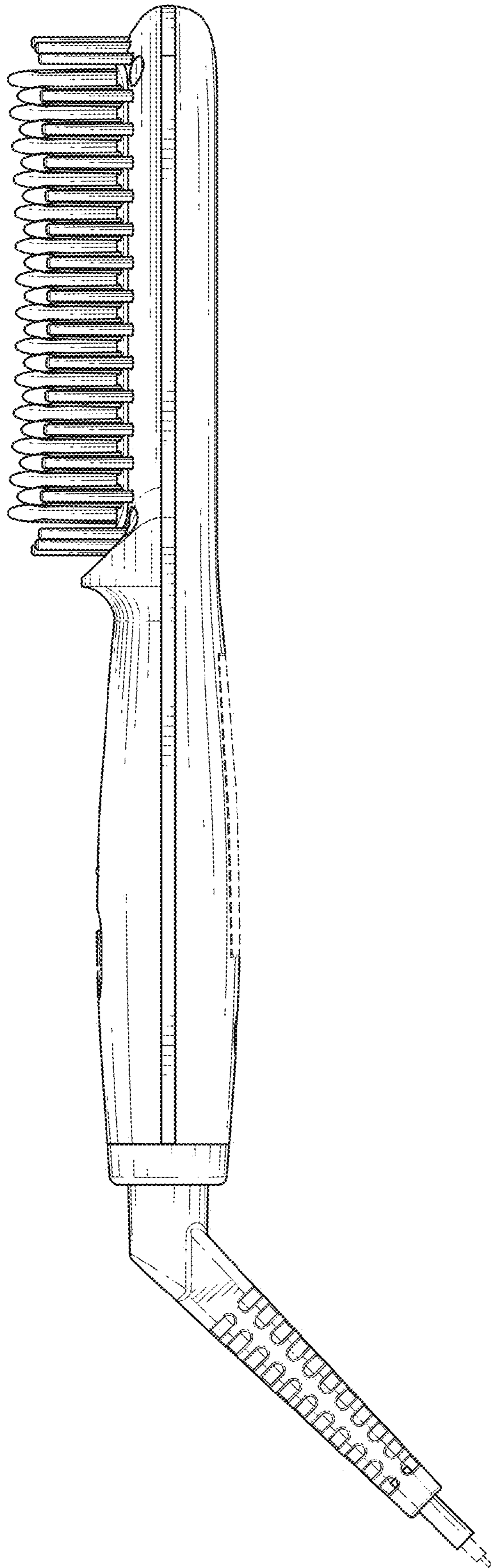


FIG. 4

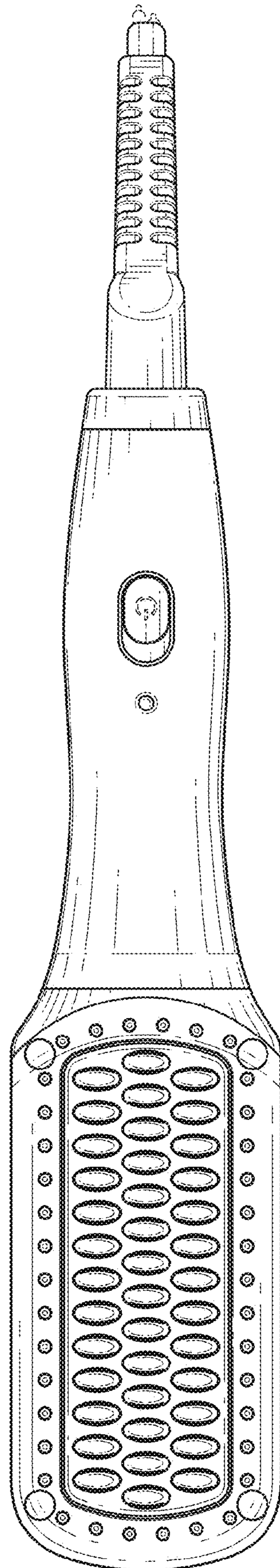


FIG. 5

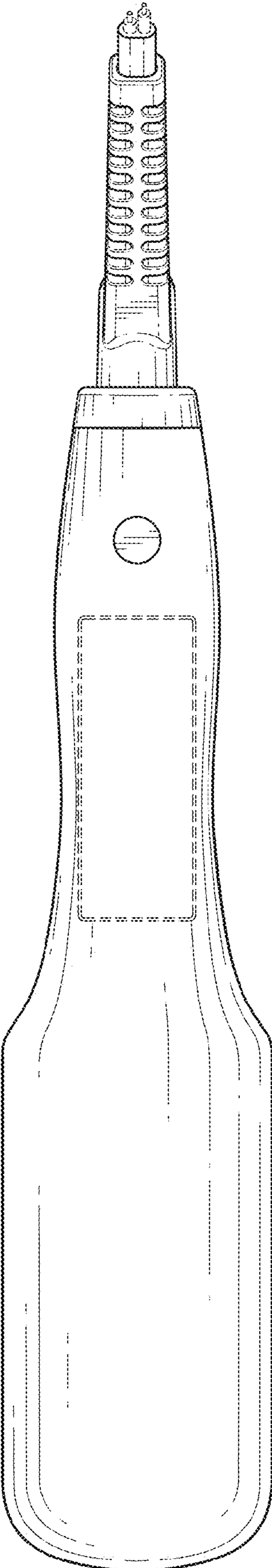


FIG. 6

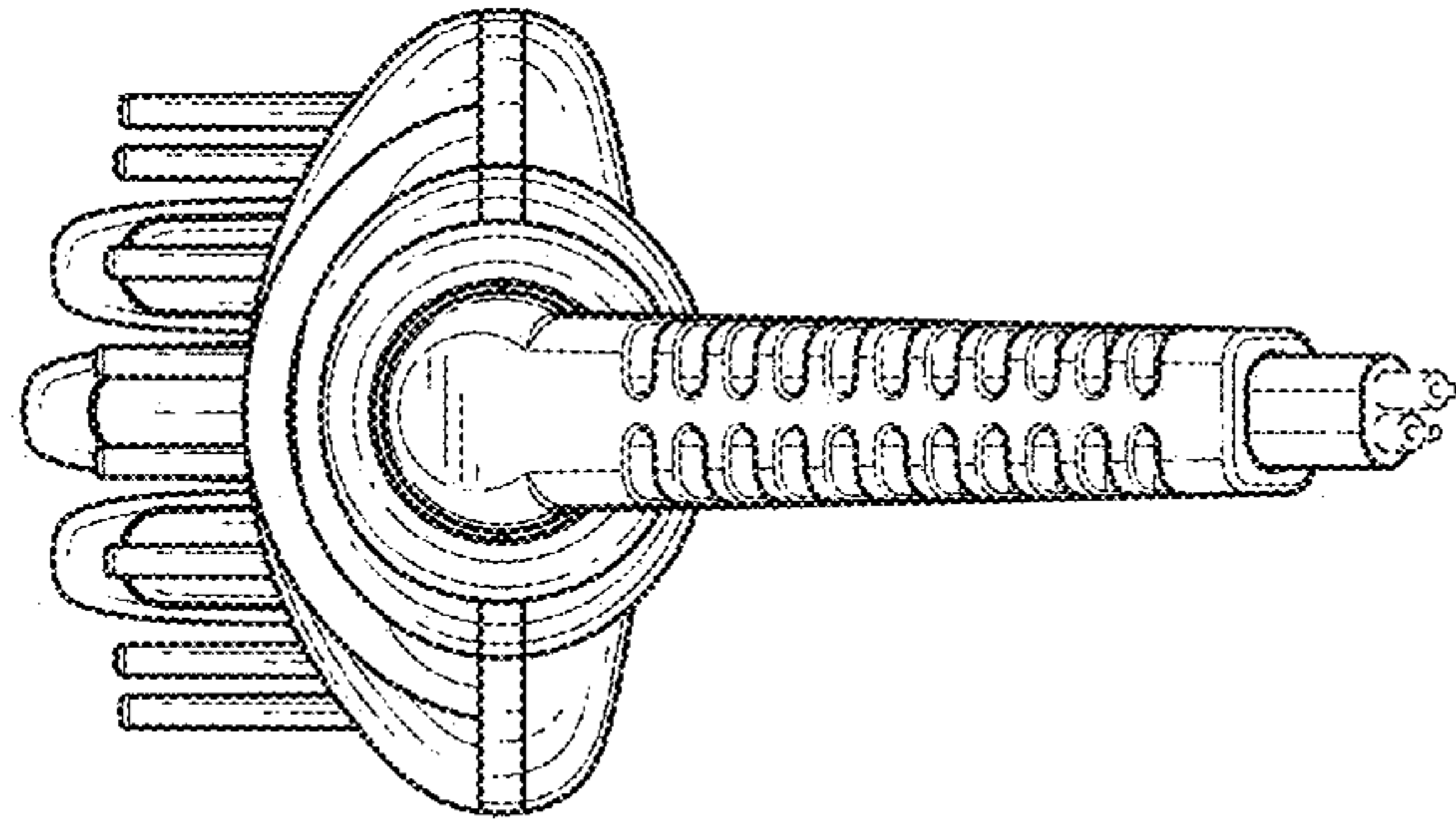


FIG. 8

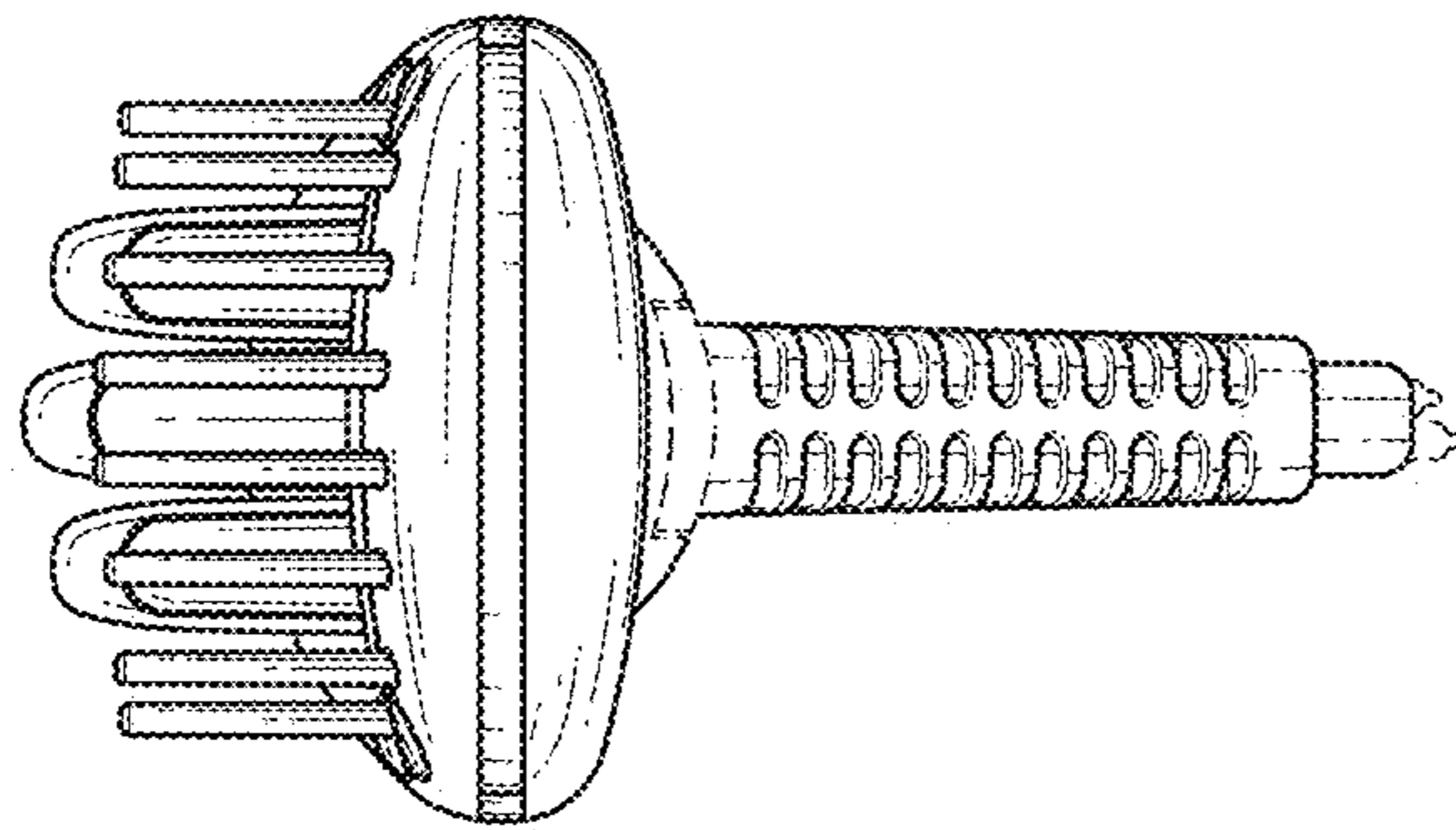


FIG. 7