



US00D889128S

(12) **United States Design Patent** (10) **Patent No.:** **US D889,128 S**  
**Patrick et al.** (45) **Date of Patent:** **\*\* Jul. 7, 2020**

(54) **LUGGAGE WHEEL ASSEMBLY**

(56) **References Cited**

(71) Applicant: **Shark Wheel, Inc.**

U.S. PATENT DOCUMENTS

(72) Inventors: **David Michael Patrick**, Lake Forrest, CA (US); **Robert S. Patrick**, Plano, TX (US)

D541,047 S *	4/2007	Moon	.....	D3/318
D576,795 S *	9/2008	Moon	.....	D3/318
8,020,679 B2 *	9/2011	Wu	.....	A45C 5/143 16/18 CG
D703,442 S *	4/2014	Parker	.....	D3/318
D718,938 S *	12/2014	Parker	.....	D3/318
D732,293 S *	6/2015	Parker	.....	D3/318

(73) Assignee: **Shark Wheel, Inc.**, Lake Forest, CA (US)

\* cited by examiner

(\*) Notice: This patent is subject to a terminal disclaimer.

*Primary Examiner* — Holly H Baynham

(\*\*) Term: **15 Years**

(74) *Attorney, Agent, or Firm* — Cionca IP Law P.C.;  
Marin Cionca

(21) Appl. No.: **29/658,173**

(57) **CLAIM**

(22) Filed: **Aug. 11, 2018**

The ornamental design for a luggage wheel assembly, as shown and described.

**DESCRIPTION**

**Related U.S. Application Data**

(63) Continuation-in-part of application No. 14/953,218, filed on Nov. 27, 2015, now Pat. No. 10,118,439.

FIG. 1 is a perspective view of the luggage wheel assembly design;

(51) **LOC (12) Cl.** ..... **03-01**

FIG. 2 is a right-side elevation view thereof, a left side elevation view being a mirror image thereof;

(52) **U.S. Cl.**

FIG. 3 is a front elevation view thereof;

USPC ..... **D3/318**

FIG. 4 is a bottom plan view thereof;

(58) **Field of Classification Search**

USPC ..... D3/318; D8/375  
CPC ... A45F 5/10; A45F 3/04; A45F 3/005; A45C 2005/142; B60B 33/0002; B60B 33/00; B60B 33/0052; Y10T 16/18; Y10T 16/182

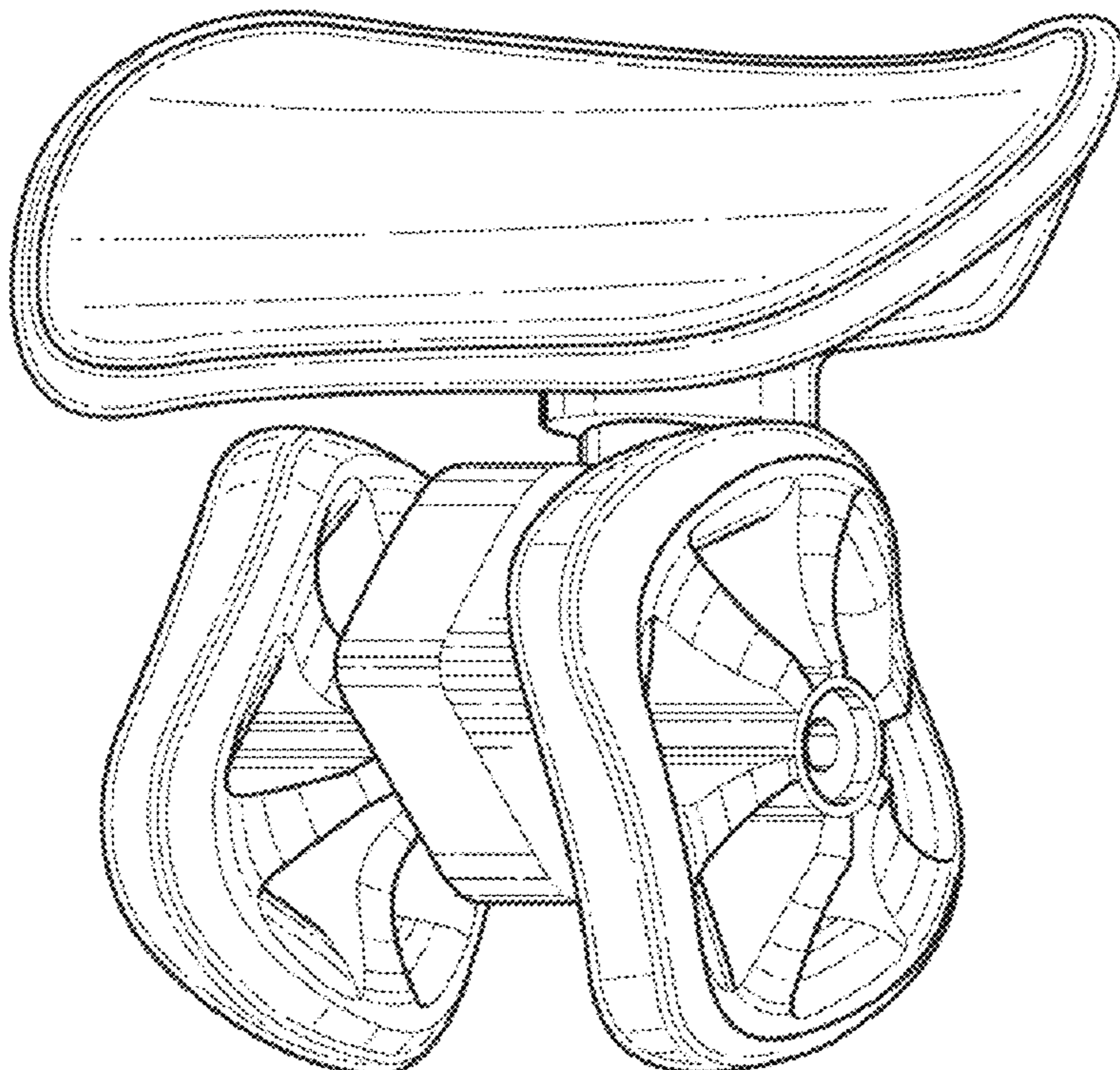
FIG. 5 is a rear elevation view thereof; and,

FIG. 6 is a top plan view thereof.

The illustrated invention relates to wheel assemblies for attachment to relatively light-weight apparatus that are easily moved about, such as desk chairs, wheel-chairs, beds, food trays; and more particularly for luggage.

See application file for complete search history.

**1 Claim, 3 Drawing Sheets**



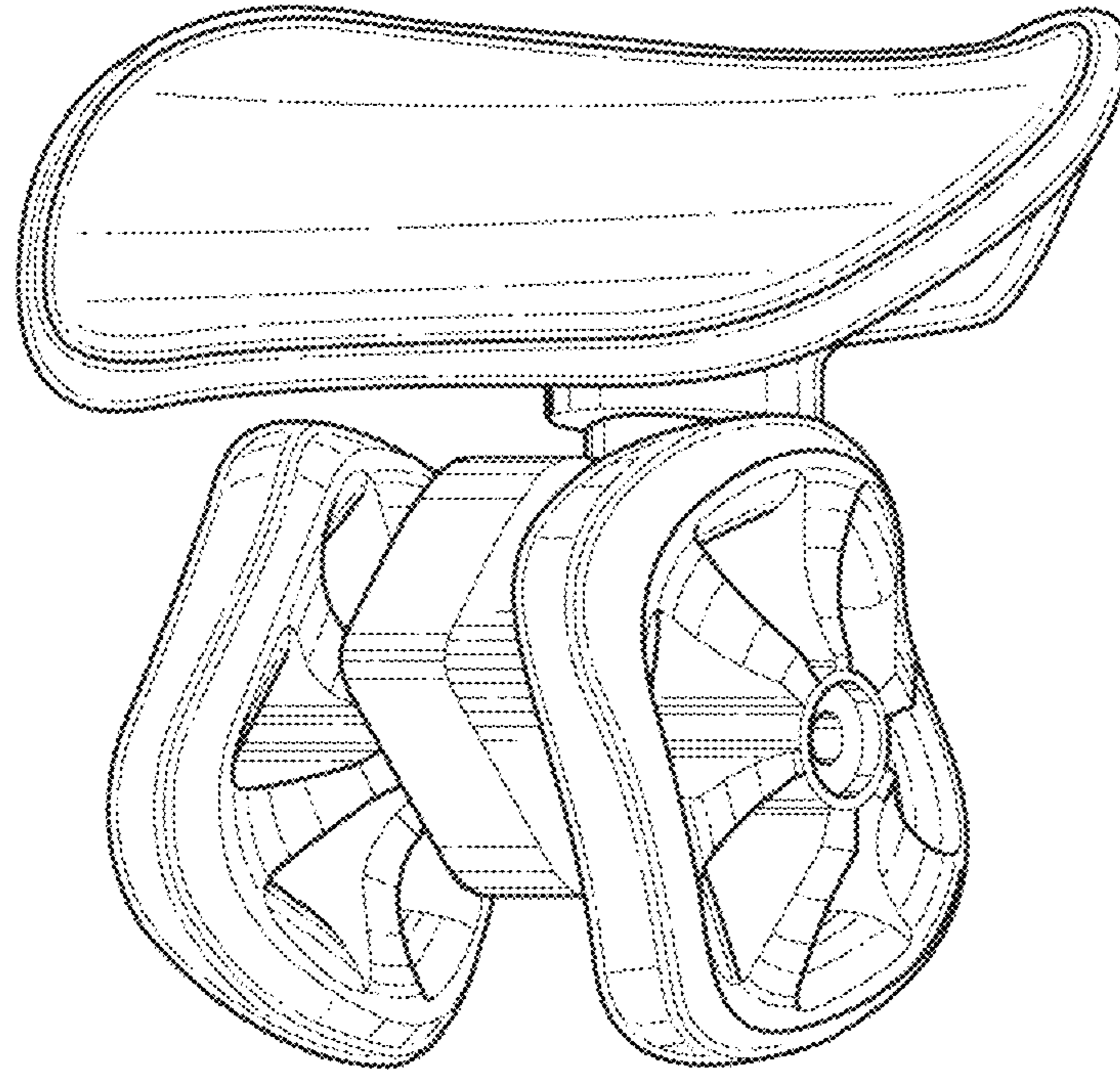


FIG. 1

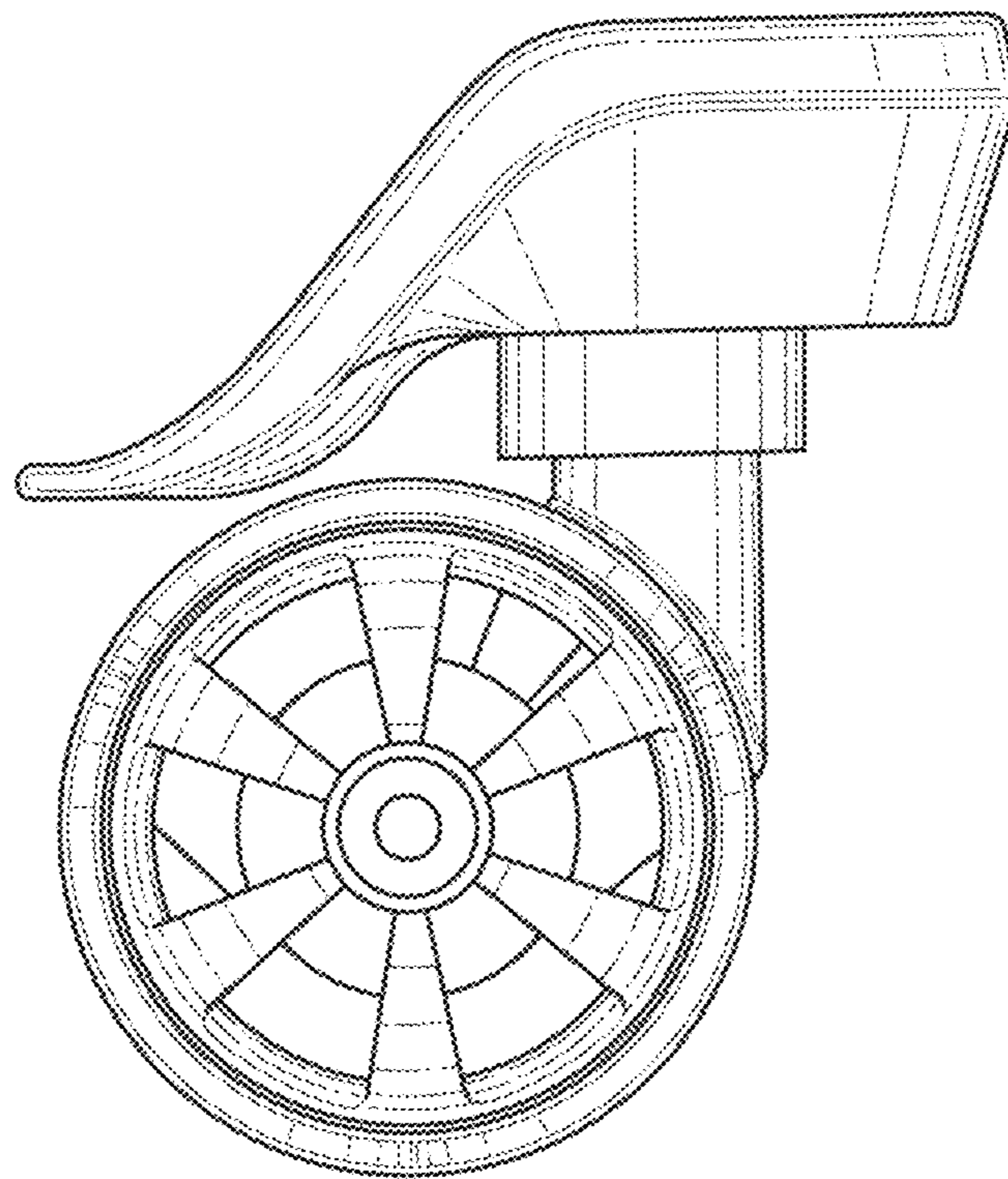


FIG. 2

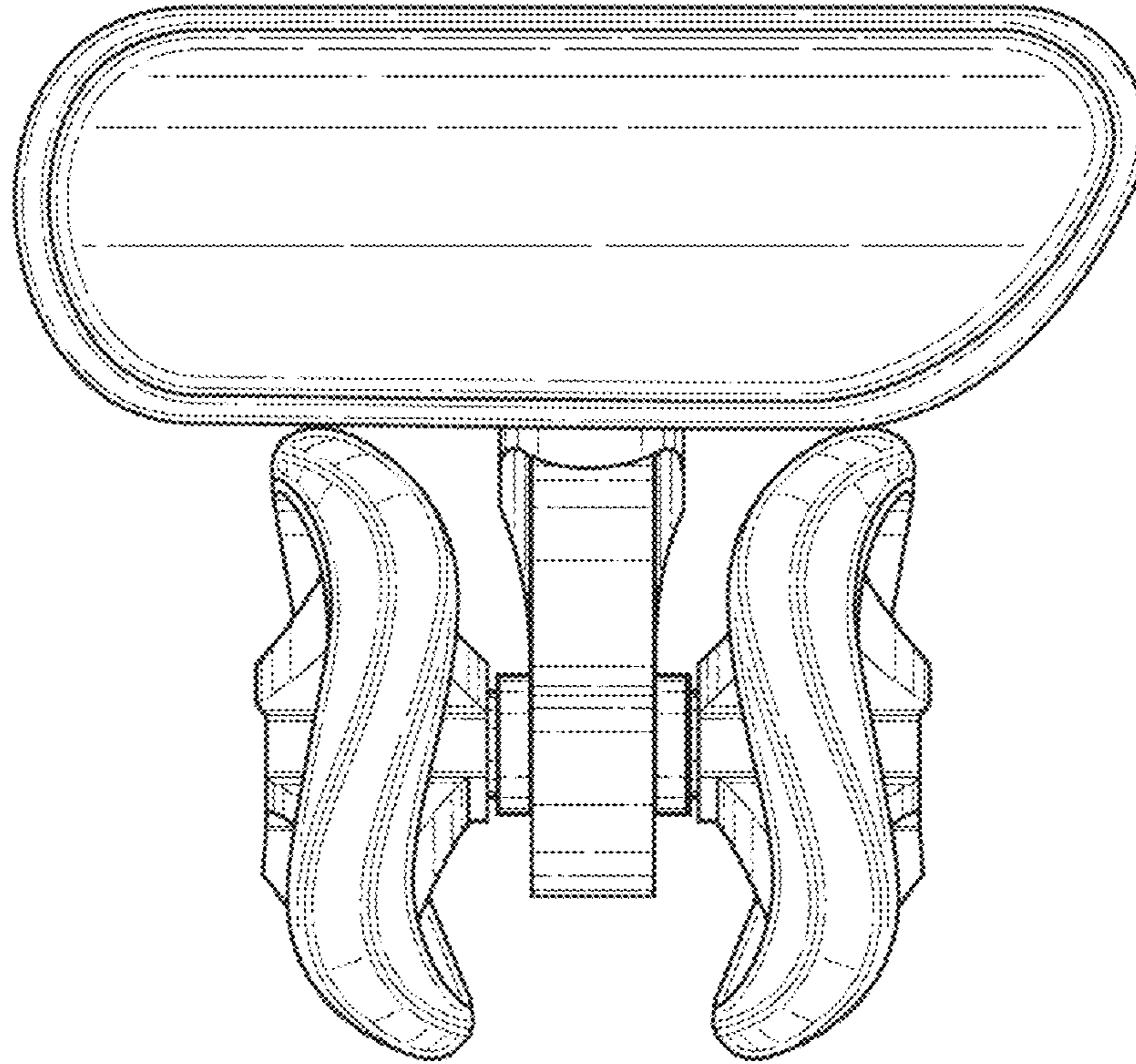


FIG. 3

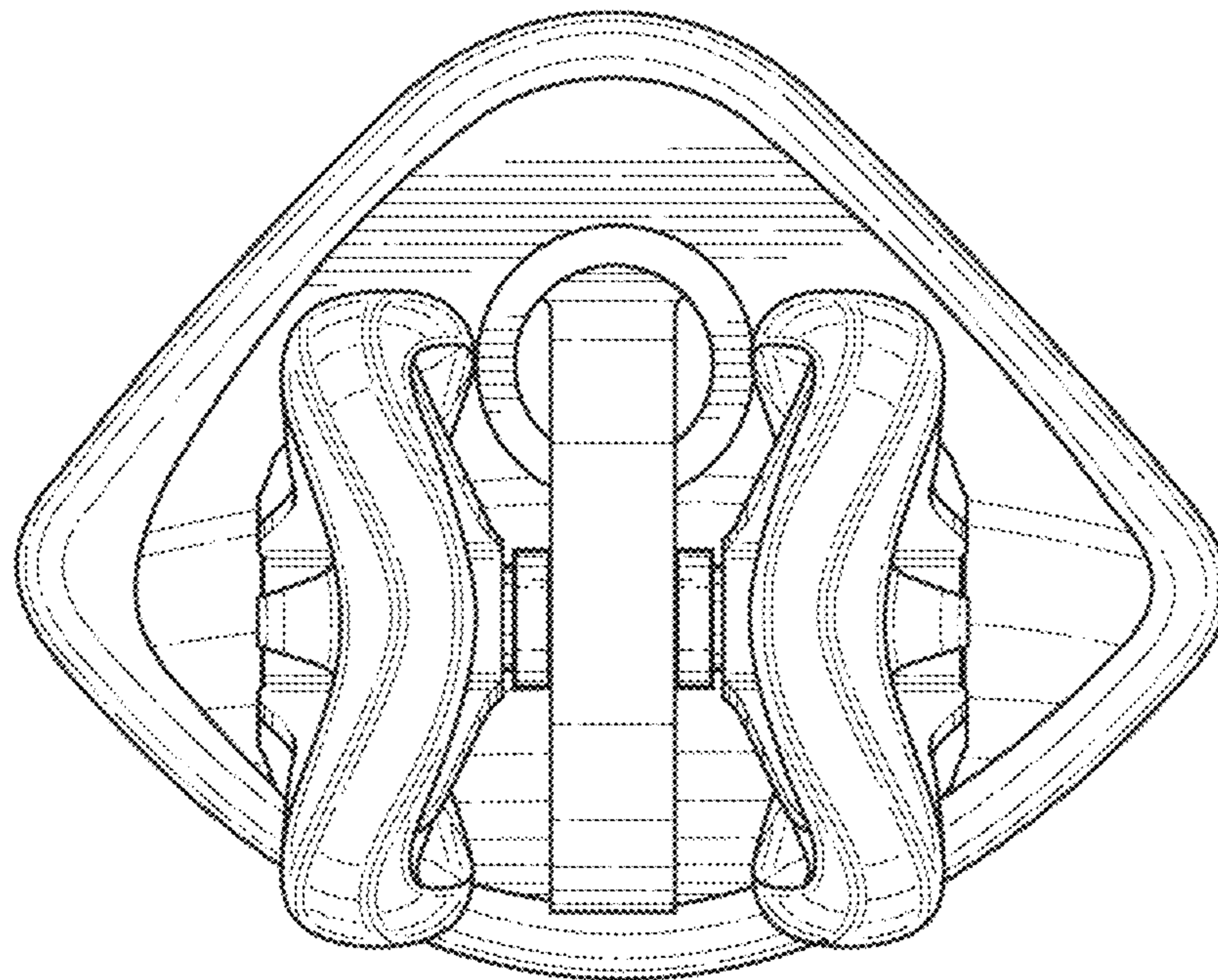
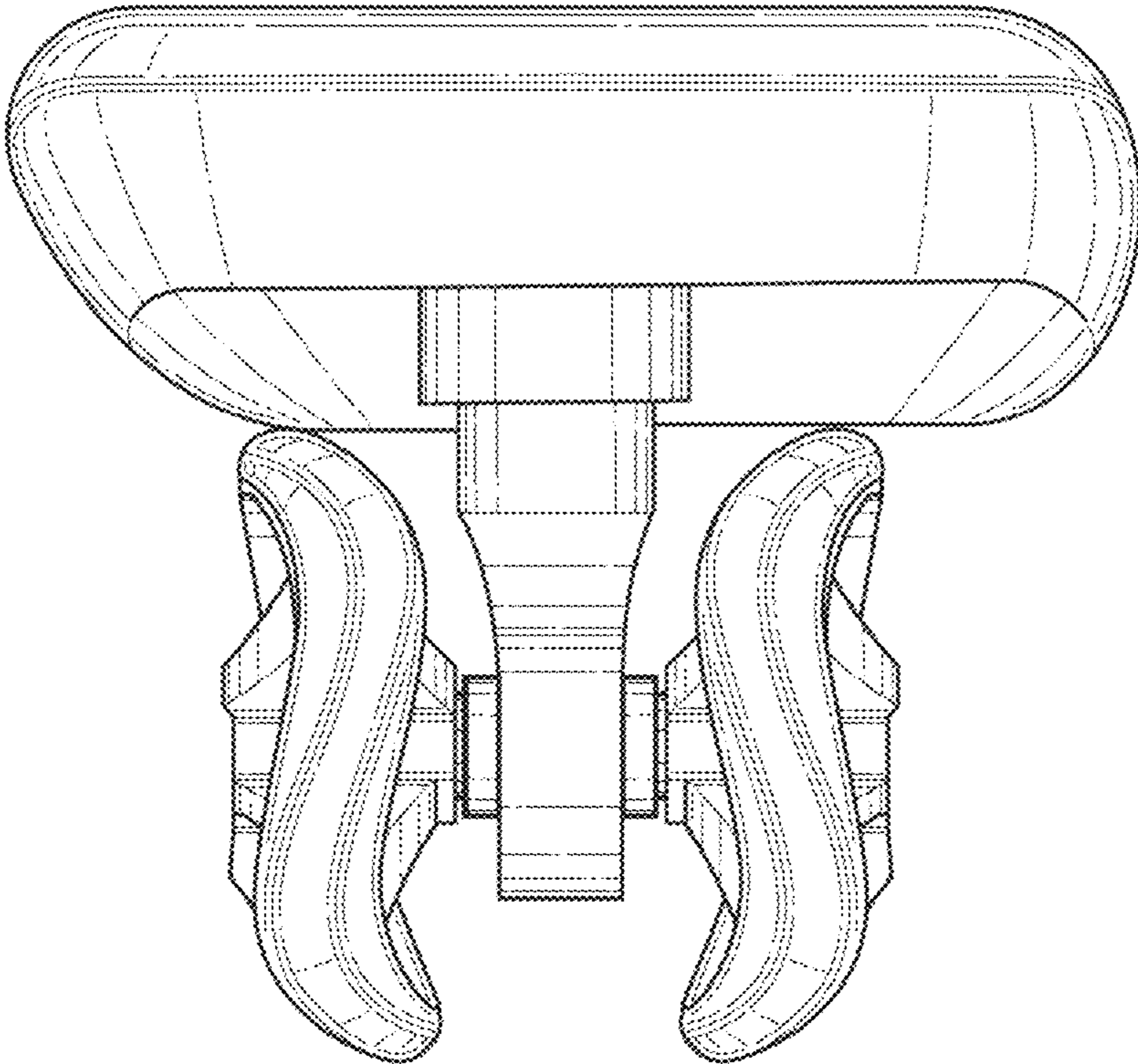
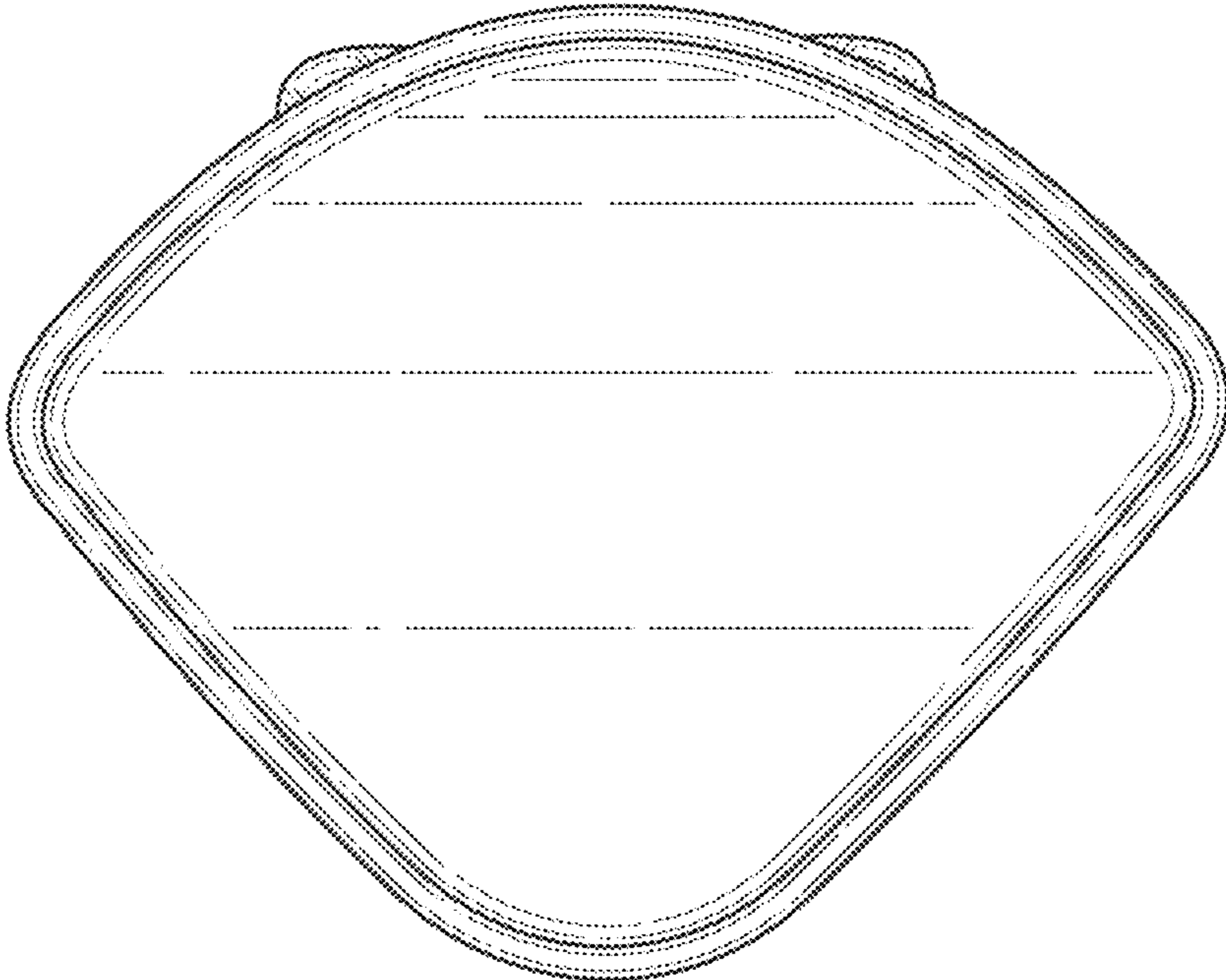


FIG. 4



**FIG. 5**



**FIG. 6**