



US00D889127S

(12) **United States Design Patent**  
**Gee, II**

(10) **Patent No.:** **US D889,127 S**

(45) **Date of Patent:** **\*\* Jul. 7, 2020**

(54) **BASKET**

(71) Applicant: **Spectrum Diversified Designs, LLC**,  
Streetsboro, OH (US)

(72) Inventor: **Jack W. Gee, II**, Willoughby, OH (US)

(73) Assignee: **SPECTRUM DIVERSIFIED  
DESIGNS, LLC**, Streetsboro, OH (US)

(\*\*) Term: **15 Years**

(21) Appl. No.: **29/681,600**

(22) Filed: **Feb. 27, 2019**

(51) **LOC (12) Cl.** ..... **09-04**

(52) **U.S. Cl.**  
USPC ..... **D3/306**

(58) **Field of Classification Search**  
USPC ..... D3/304, 306, 312, 314, 315; D5/47, 56;  
D7/667, 601; D8/356, 359  
CPC ..... A47J 37/1219  
See application file for complete search history.

(56) **References Cited**

**U.S. PATENT DOCUMENTS**

|               |         |            |       |            |
|---------------|---------|------------|-------|------------|
| D15,429 S *   | 10/1884 | Ayres      | ..... | D30/129    |
| 1,477,700 A * | 12/1923 | Fuller     | ..... | B65D 7/20  |
|               |         |            |       | 220/491    |
| 1,573,558 A * | 2/1926  | MacOmber   | ..... | B65D 7/20  |
|               |         |            |       | 220/491    |
| 1,950,921 A * | 3/1934  | Gray       | ..... | B65D 7/14  |
|               |         |            |       | 220/493    |
| 2,732,096 A * | 1/1956  | Siciliano  | ..... | B65D 25/32 |
|               |         |            |       | 220/769    |
| 4,250,664 A * | 2/1981  | Remke      | ..... | A01G 23/04 |
|               |         |            |       | 47/76      |
| 5,090,157 A * | 2/1992  | Sipala     | ..... | A01G 23/04 |
|               |         |            |       | 47/76      |
| D339,266 S *  | 9/1993  | Lockett    | ..... | D7/323     |
| D350,912 S *  | 9/1994  | Stansfield | ..... | D11/152    |
| D405,289 S *  | 2/1999  | Rosenberg  | ..... | D6/403     |
| D578,762 S *  | 10/2008 | Smith      | ..... | D6/306     |
| D638,174 S *  | 5/2011  | Wolk       | ..... | D30/121    |

|              |        |          |       |         |
|--------------|--------|----------|-------|---------|
| D641,567 S * | 7/2011 | Bugio    | ..... | D11/148 |
| D659,401 S * | 5/2012 | Pedersen | ..... | D3/306  |
| D751,186 S * | 3/2016 | Romzek   | ..... | D23/410 |
| D784,088 S * | 4/2017 | Goodman  | ..... | D7/601  |
| D784,771 S * | 4/2017 | Goodman  | ..... | D23/261 |
| D785,404 S * | 5/2017 | Goodman  | ..... | D7/500  |
| D786,016 S * | 5/2017 | Goodman  | ..... | D7/500  |
| D794,396 S * | 8/2017 | Goodman  | ..... | D7/601  |
| D818,322 S * | 5/2018 | Goodman  | ..... | D7/601  |

(Continued)

**OTHER PUBLICATIONS**

Clipper Mill by Get 4-33453 7½"x4½" Black Powder Coated Iron Braided Oval Wire Basket, WebstaurantStore website page, [https://www.webstaurantstore.com/clipper-mill-by-get-4-33453-7-1-2-x-4-1-2-black-powder-coated-iron-braided-oval-wire-basket/375433453.html?utm\\_source=Google&utm\\_medium=cpc&utm\\_campaign=GoogleShopping&gclid=CjwKCAiAqOriBRAfEiwAEb9oXYUd-HG10EPKUPGCO0bfulrURw4390RKhJettDXCi3Q-asBltnR1sJxoCECwQAvD\\_Bw](https://www.webstaurantstore.com/clipper-mill-by-get-4-33453-7-1-2-x-4-1-2-black-powder-coated-iron-braided-oval-wire-basket/375433453.html?utm_source=Google&utm_medium=cpc&utm_campaign=GoogleShopping&gclid=CjwKCAiAqOriBRAfEiwAEb9oXYUd-HG10EPKUPGCO0bfulrURw4390RKhJettDXCi3Q-asBltnR1sJxoCECwQAvD_Bw), Retrieved from Internet on Feb. 6, 2019.

*Primary Examiner* — Kevin K Rudzinski

*Assistant Examiner* — Amber J Rabie

(74) *Attorney, Agent, or Firm* — Tucker Ellis LLP

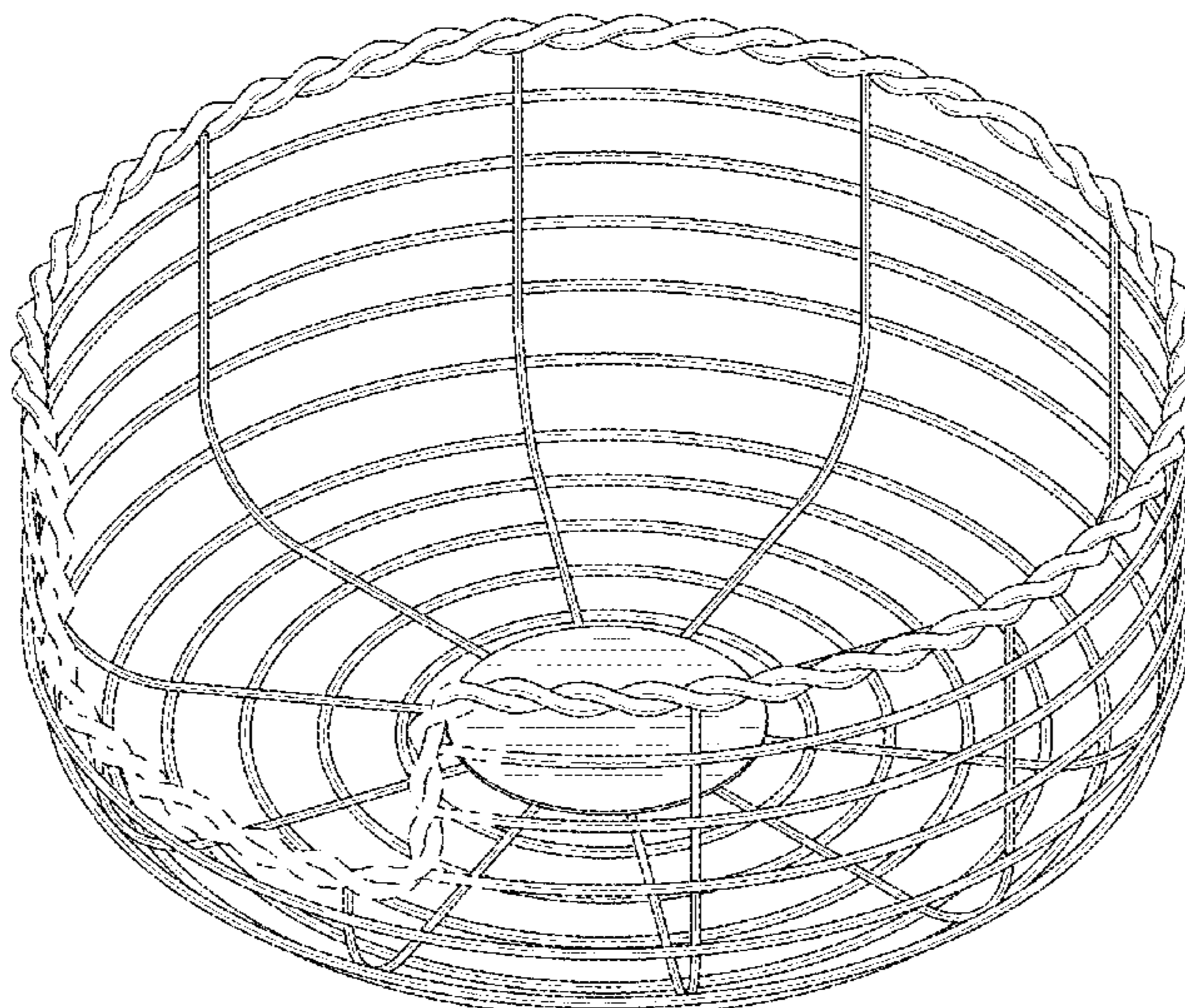
(57) **CLAIM**

The ornamental design for a basket, as shown and described.

**DESCRIPTION**

FIG. 1 is a perspective view of a basket showing my new design;  
FIG. 2 is a front view thereof;  
FIG. 3 is a rear view thereof;  
FIG. 4 is a right side view thereof;  
FIG. 5 is a left side view thereof;  
FIG. 6 is a top view thereof; and,  
FIG. 7 is a bottom view thereof.  
The broken lines show portions of the design that form no part of the claimed design.

**1 Claim, 4 Drawing Sheets**



(56)

**References Cited**

U.S. PATENT DOCUMENTS

D818,777 S \* 5/2018 Goodman ..... D7/601  
2009/0038219 A1 \* 2/2009 Bitel ..... A01G 23/04  
47/73

\* cited by examiner

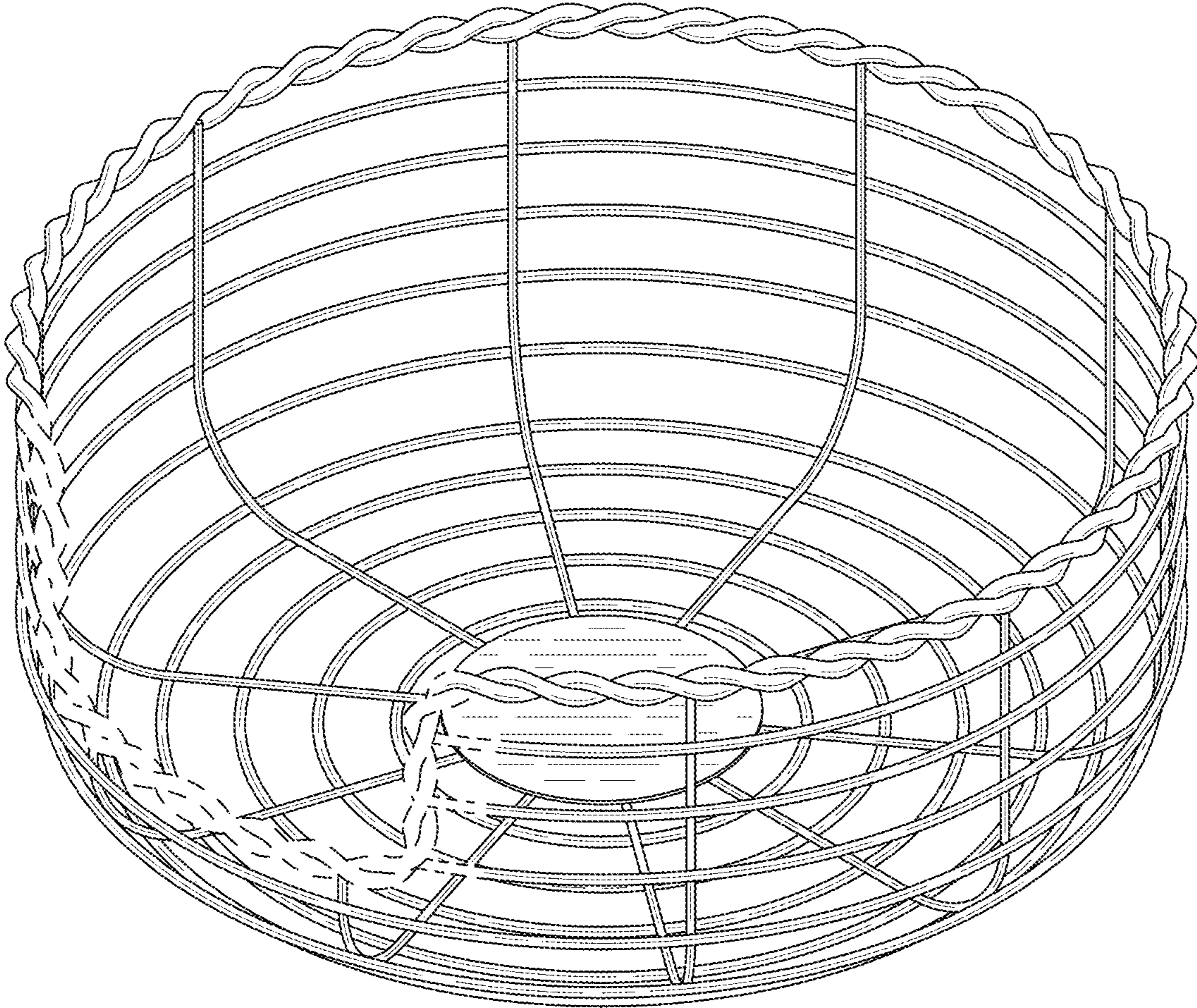


FIG. 1

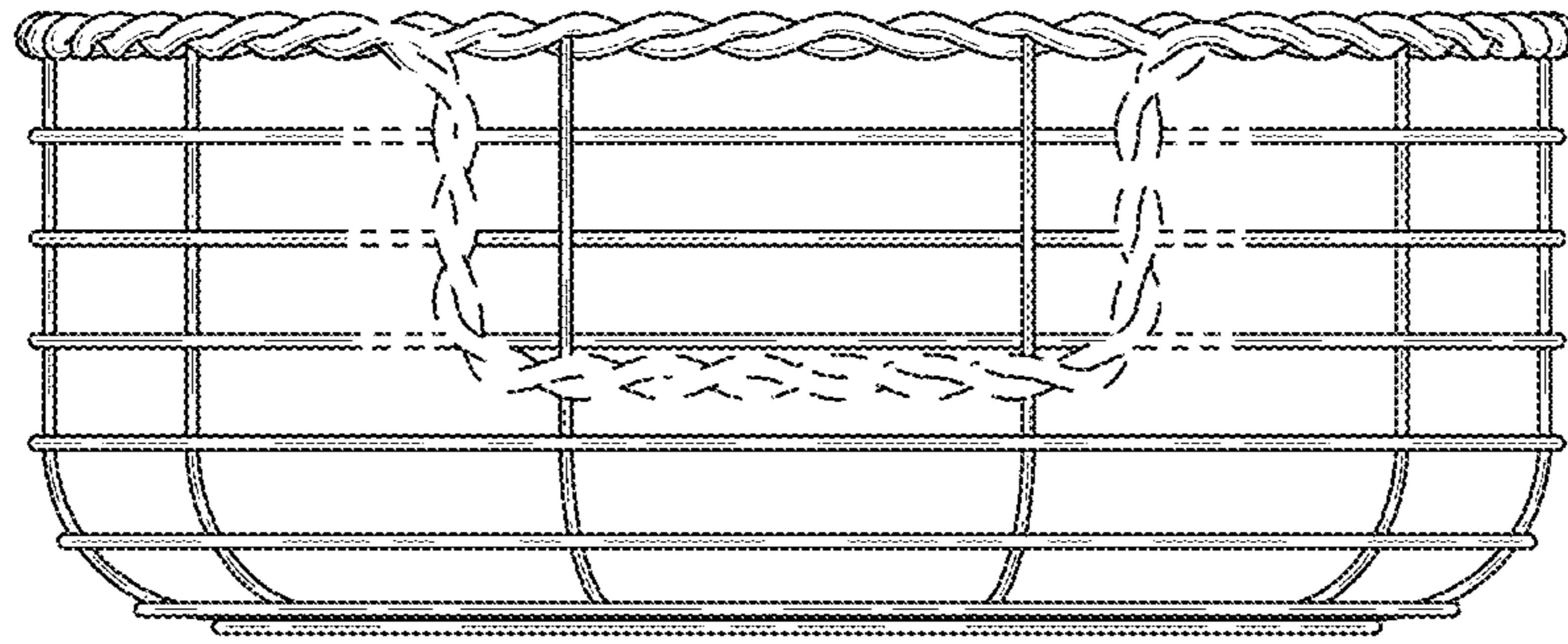


FIG. 2

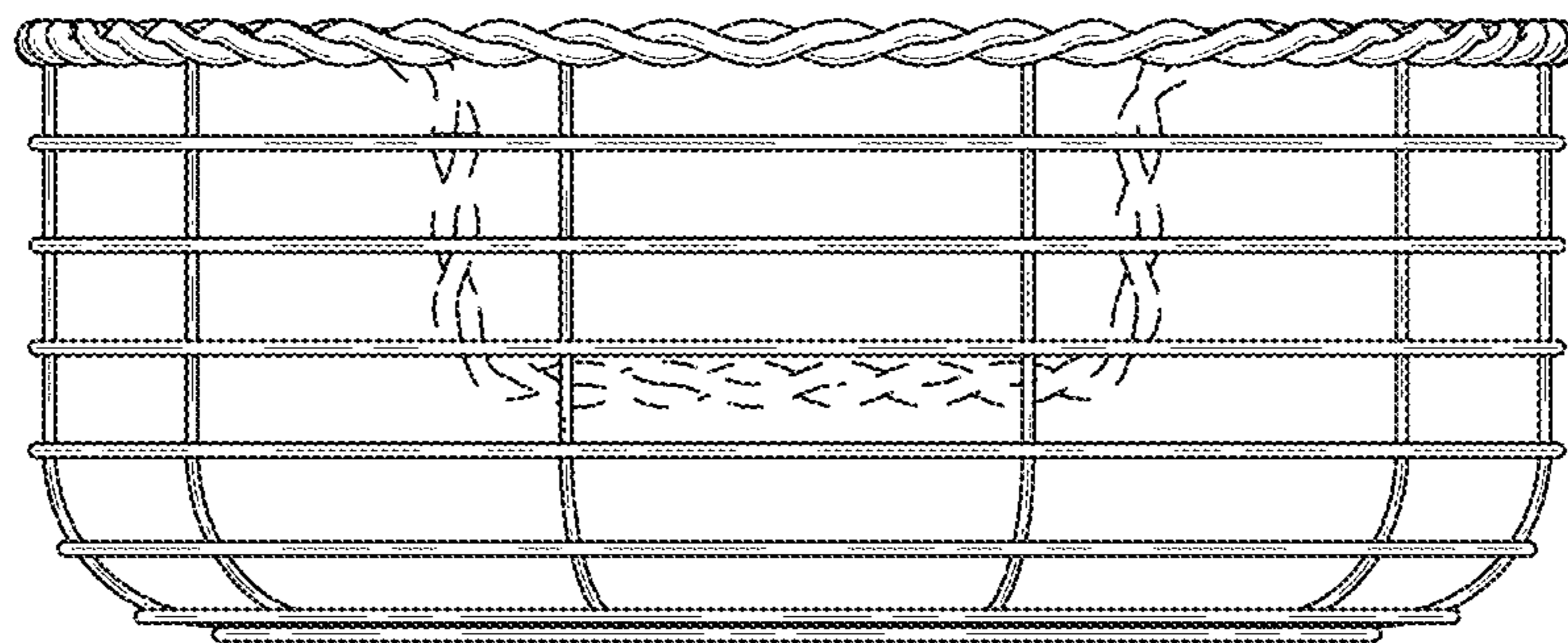


FIG. 3

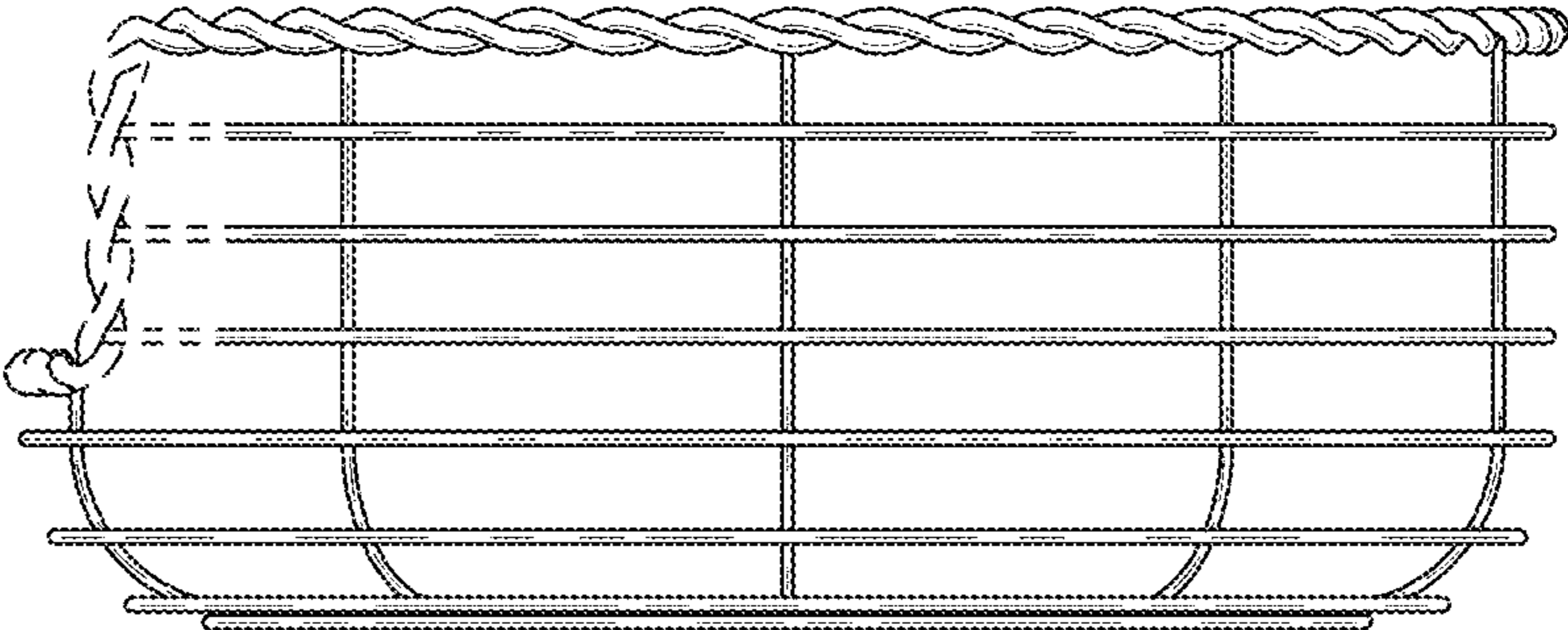


FIG. 4

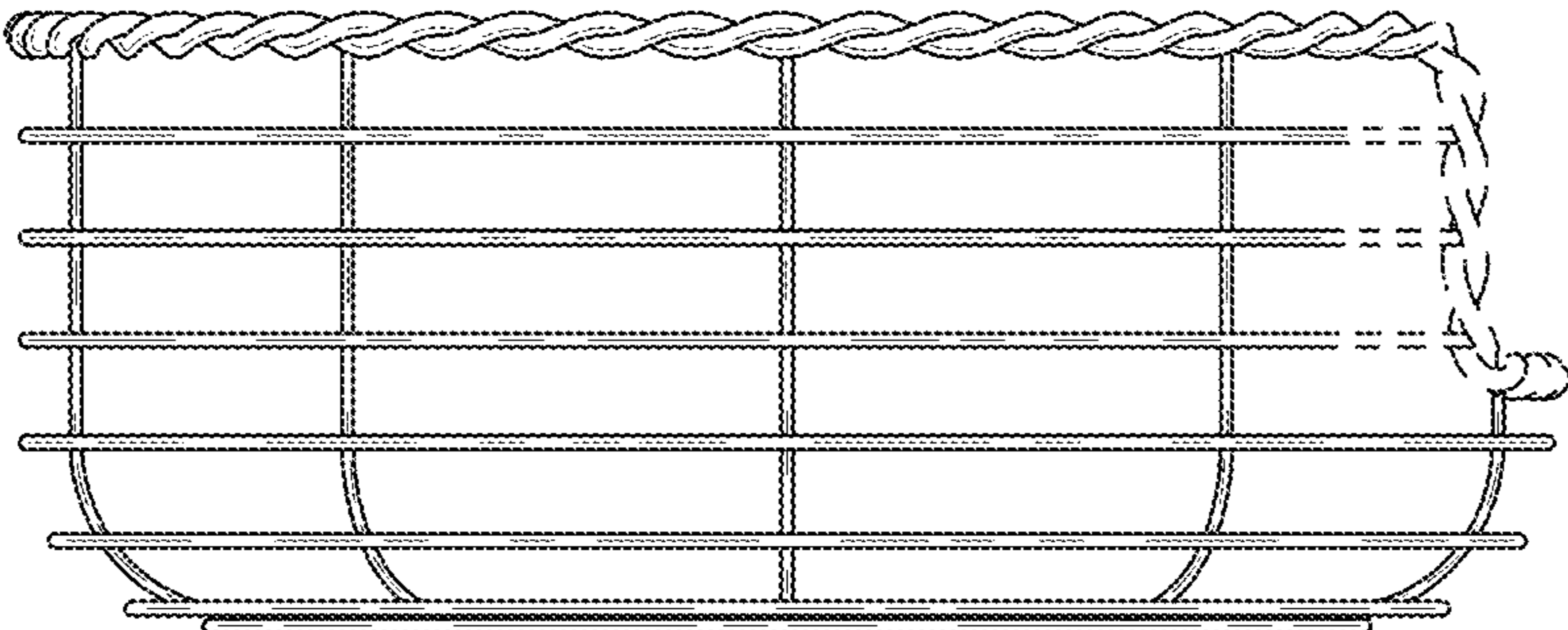
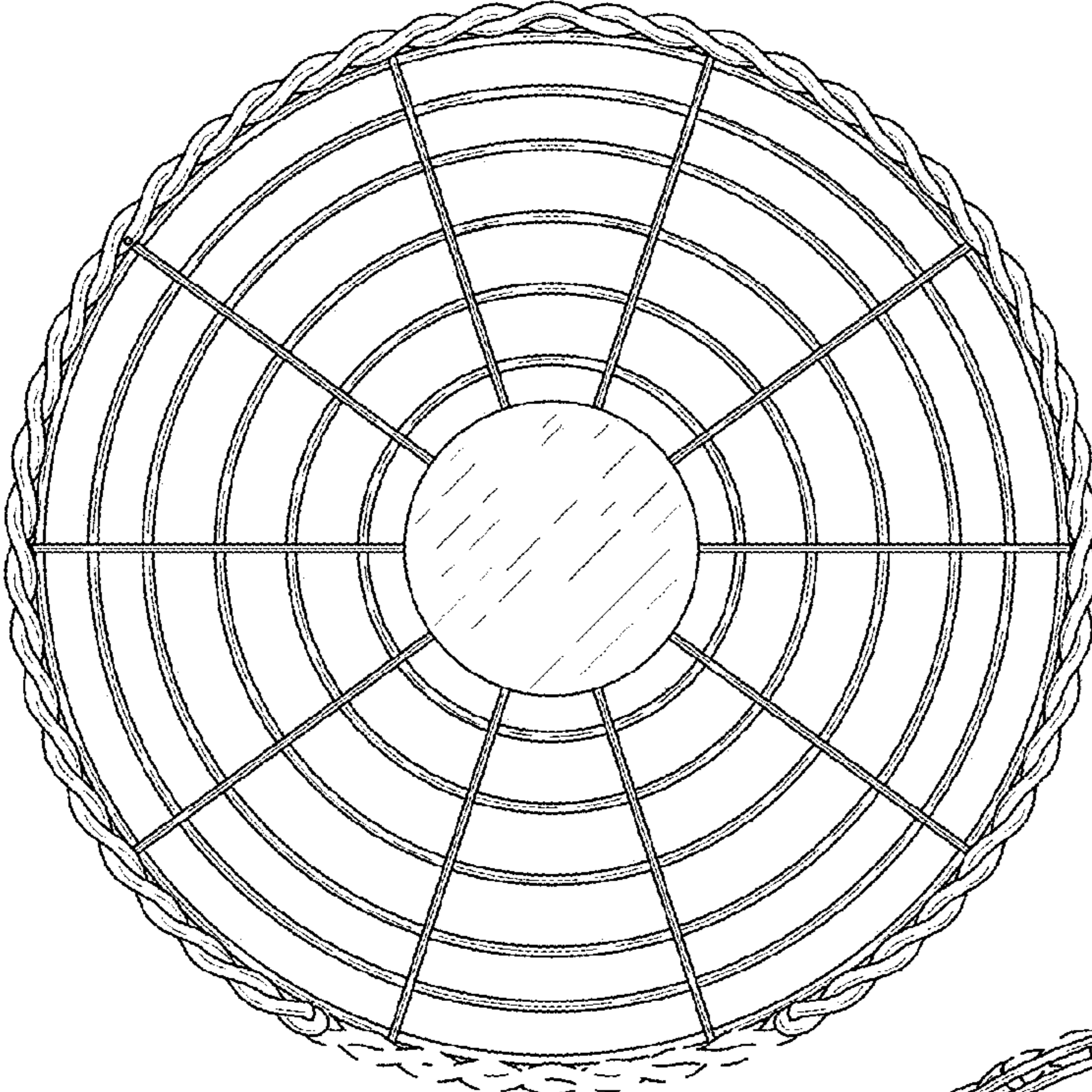
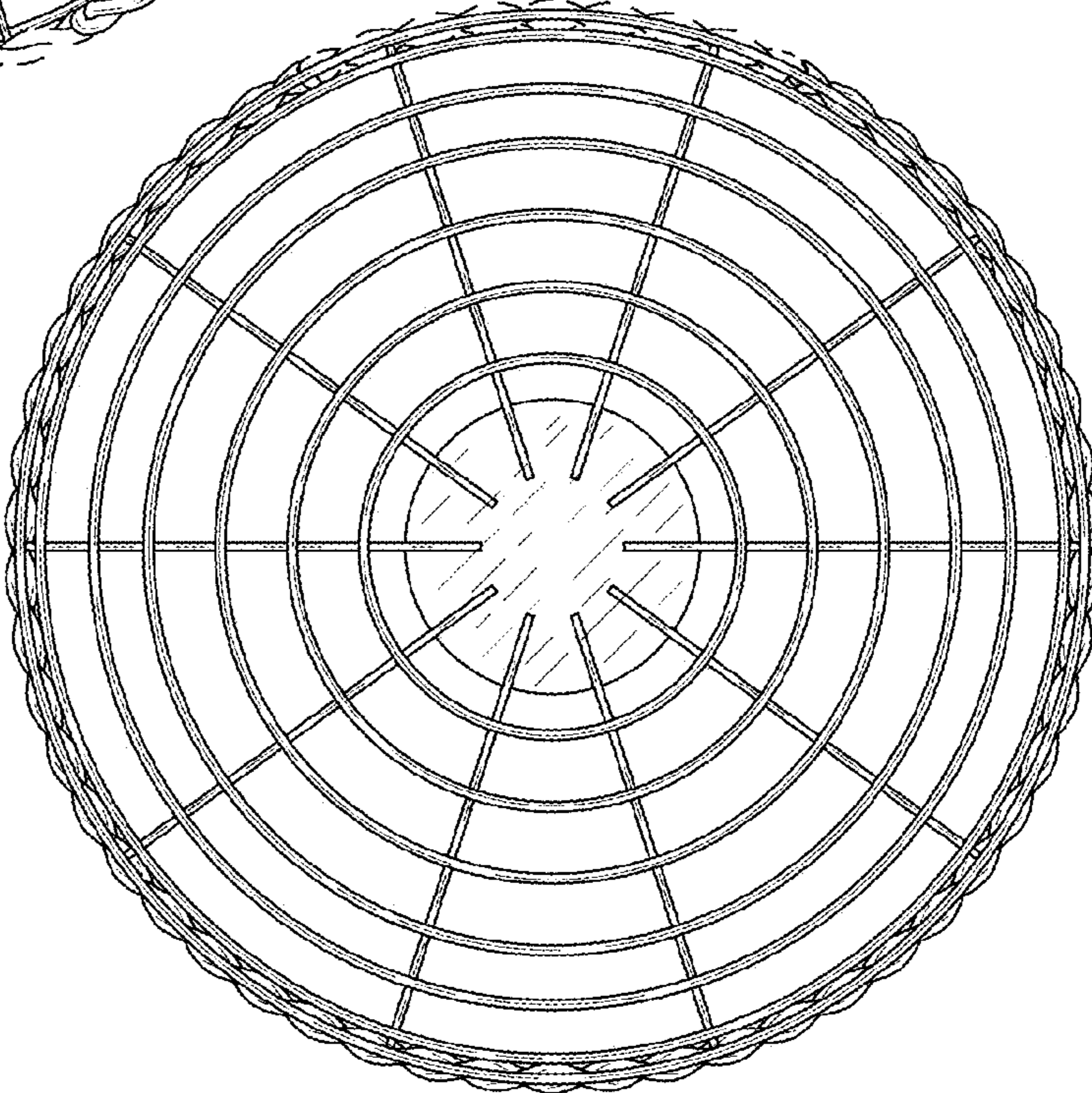


FIG. 5



**FIG. 6**



**FIG. 7**