



US00D889126S

(12) **United States Design Patent** (10) **Patent No.:** **US D889,126 S**
Staiano et al. (45) **Date of Patent:** **** Jul. 7, 2020**

(54) **SORTING TRAY**
(71) Applicant: **VOLO TRADE, INC.**, Miami, FL (US)
(72) Inventors: **Mark Staiano**, Miami, FL (US); **Dan Talbot**, Montreal (CA)
(73) Assignee: **Volo Trade, Inc.**, Miami, FL (US)
(**) Term: **15 Years**
(21) Appl. No.: **29/692,180**
(22) Filed: **May 23, 2019**
(51) **LOC (12) Cl.** **03-01**
(52) **U.S. Cl.**
USPC **D3/304**
(58) **Field of Classification Search**
USPC D3/201, 304, 308; D7/700, 550.1, 554.3,
D7/566, 582; D99/28, 34, 35, 36, 43
CPC . B65D 1/00; B65D 1/34; B65D 25/38; B65D
25/52; B65D 85/70; B65B 39/00; B65B
1/04; B65B 1/06
See application file for complete search history.

D317,671 S * 6/1991 Skaggs D99/34
D363,195 S * 10/1995 Bransby D7/698
5,495,950 A * 3/1996 Jellum B07C 7/04
209/703
D382,402 S * 8/1997 Pawuk D3/304
D400,404 S * 11/1998 Indekeu D7/554.3
D430,399 S * 9/2000 Pawuk D3/304
6,116,425 A * 9/2000 Frayer, Sr. B25H 3/06
206/557
D432,308 S * 10/2000 Lockhart D3/201
D459,581 S * 7/2002 Krumes D3/304
D808,171 S * 1/2018 Trost D3/304
D847,534 S * 5/2019 Frio D6/553
D871,155 S * 12/2019 Miller D7/554.3

* cited by examiner

Primary Examiner — Kelley A Donnelly
(74) *Attorney, Agent, or Firm* — McHale & Slavin, P.A.

(57) **CLAIM**

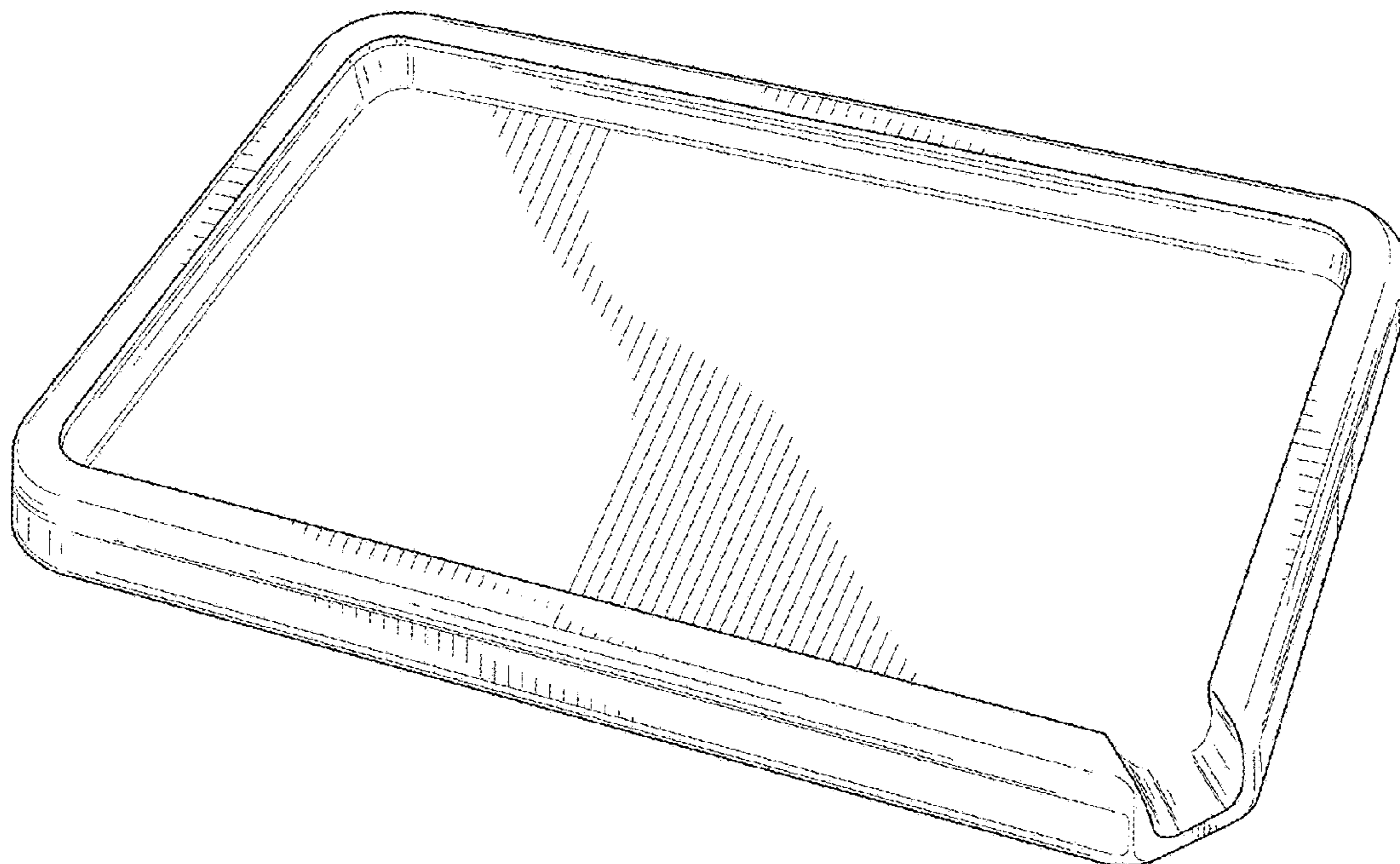
The ornamental design for a sorting tray, as shown and described.

DESCRIPTION

FIG. 1 is a top right front perspective view of the sorting tray of the present invention;
FIG. 2 is a top right perspective view thereof;
FIG. 3 is a front view thereof;
FIG. 4 is a rear view thereof;
FIG. 5 is a right side view thereof;
FIG. 6 is a left side view thereof;
FIG. 7 is a top view thereof;
FIG. 8 is a bottom view thereof; and,
FIG. 9 is a section view thereof, taken along line 9-9 of FIG. 7, illustrating the shape of the internal portion of the sorting tray.

1 Claim, 9 Drawing Sheets

(56) **References Cited**
U.S. PATENT DOCUMENTS
2,704,974 A * 3/1955 Steman A47G 23/06
99/422
2,812,076 A * 11/1957 Mistretta A61J 7/02
414/675
2,821,078 A * 1/1958 Steward E04F 21/06
222/572
3,747,756 A * 7/1973 Wheeler B07C 7/04
209/703
D236,538 S * 8/1975 Adams D3/304
D262,507 S * 1/1982 Wooldridge D7/698
D283,390 S * 4/1986 McGinnis D7/698



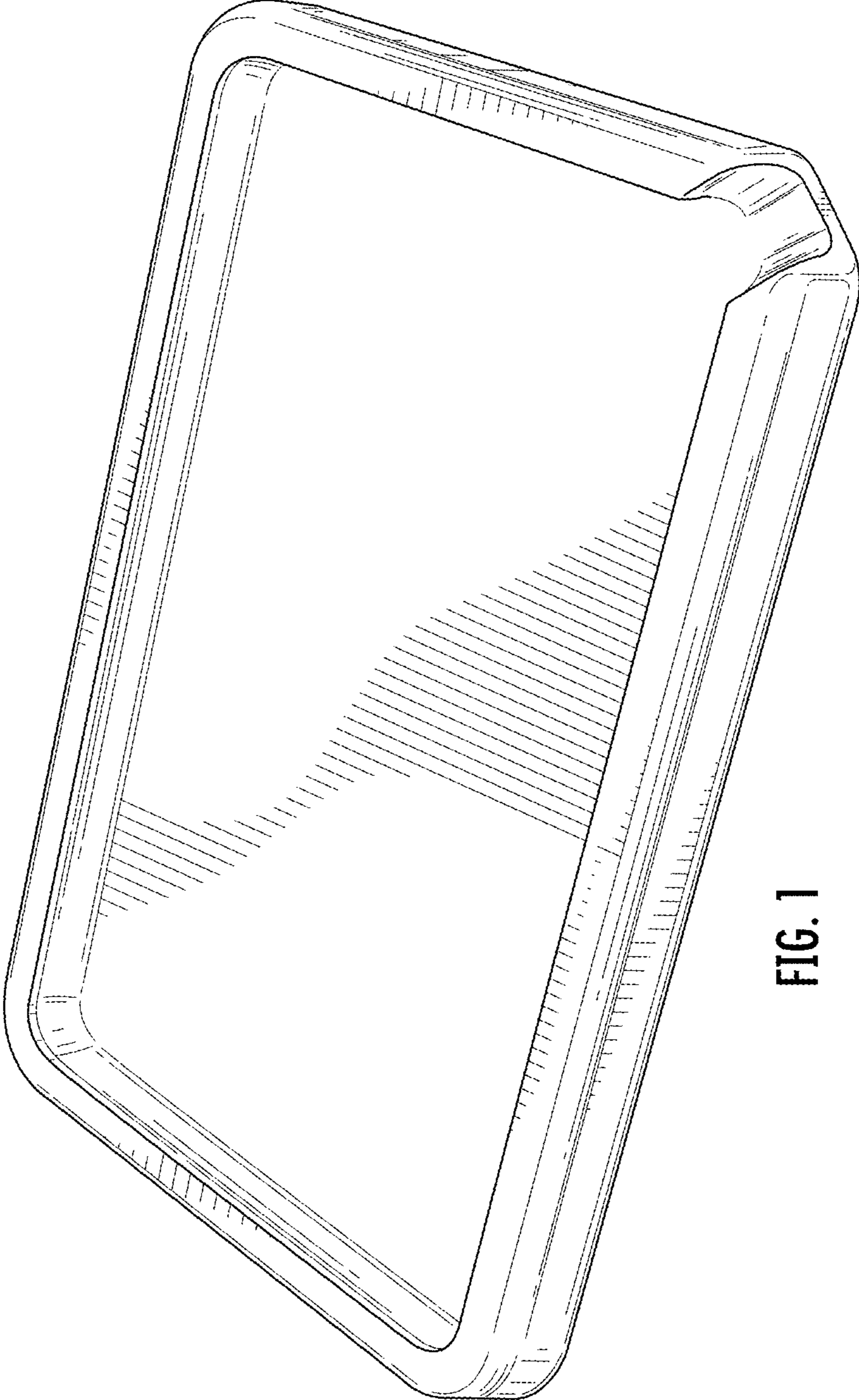


FIG. 1

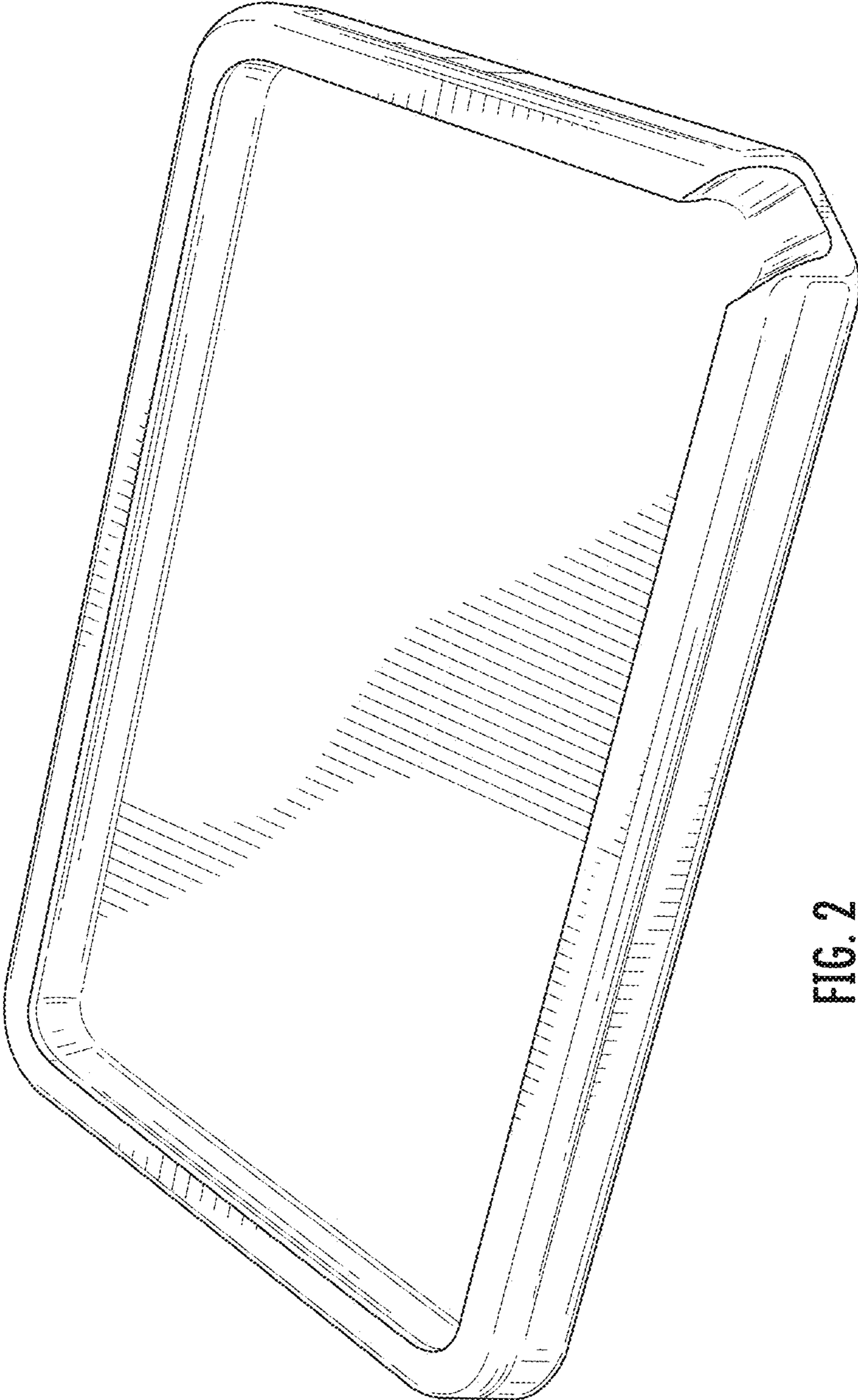


FIG. 2

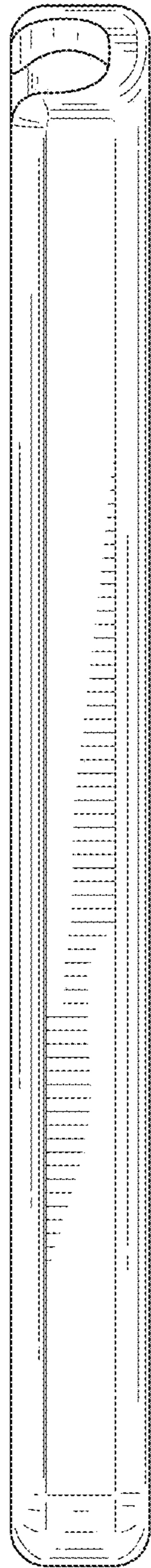


FIG. 3

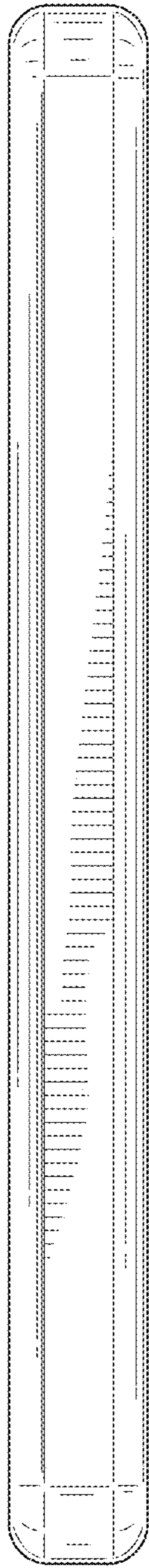


FIG. 4

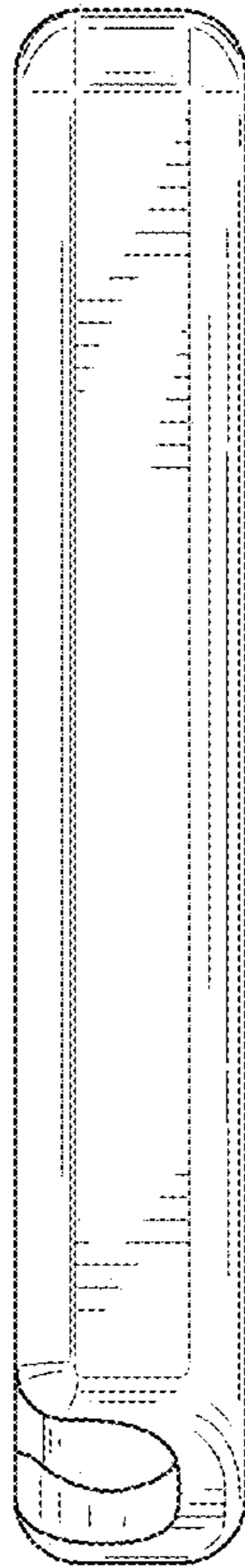


FIG. 5

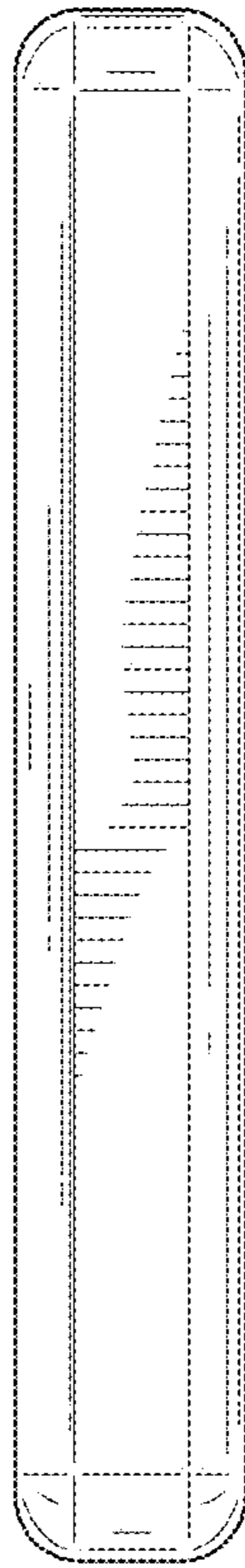
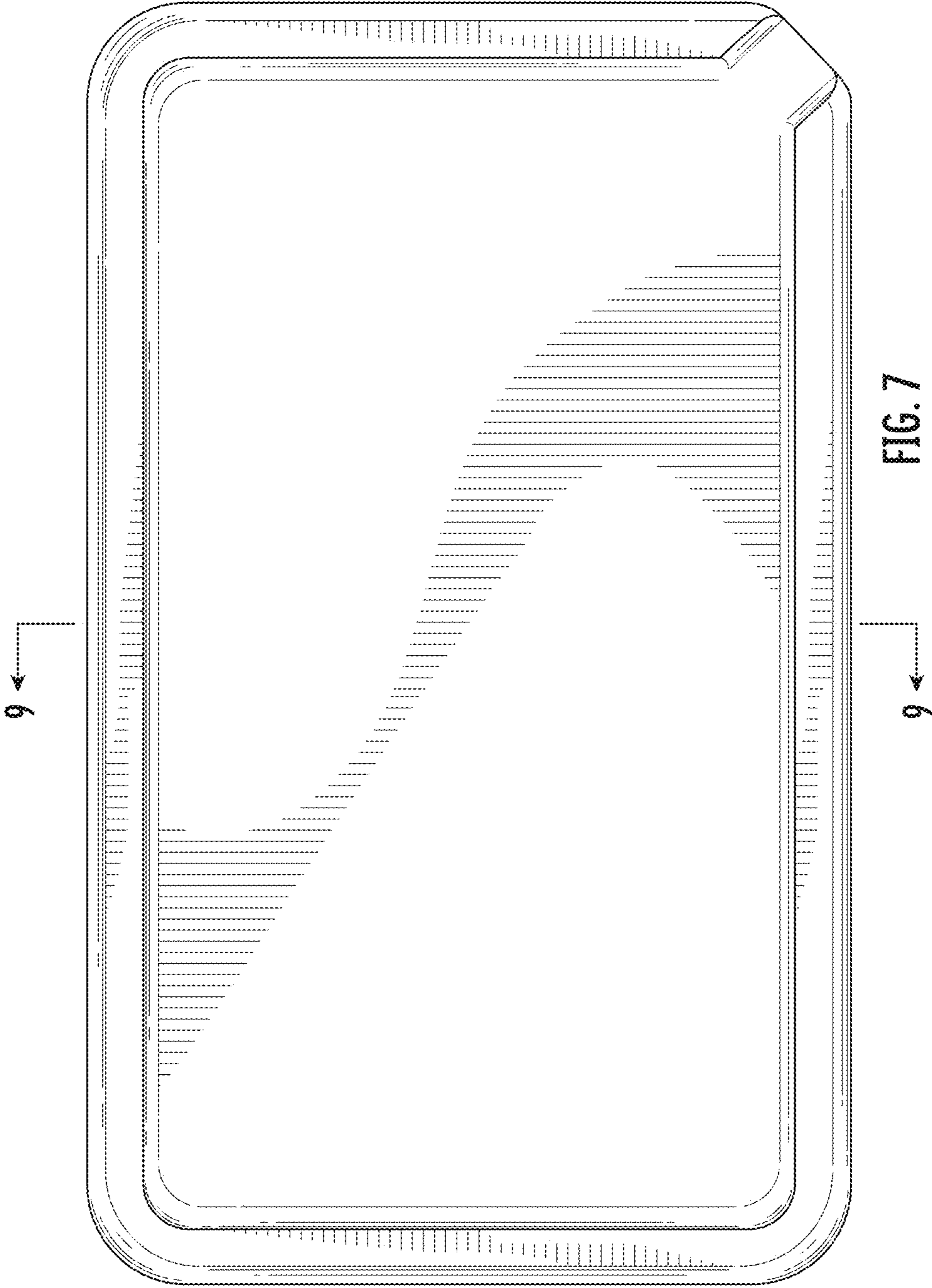


FIG. 6



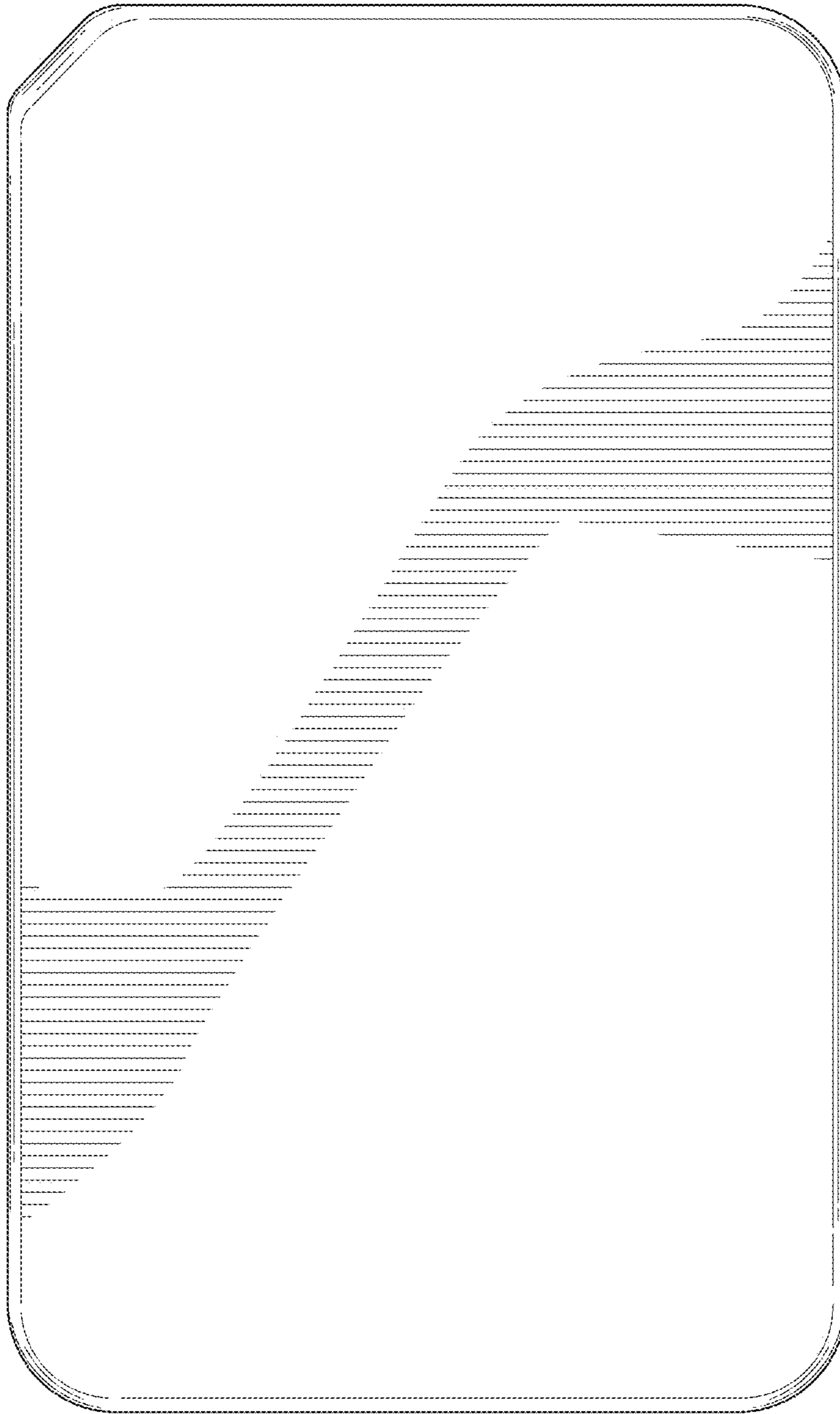


FIG. 8

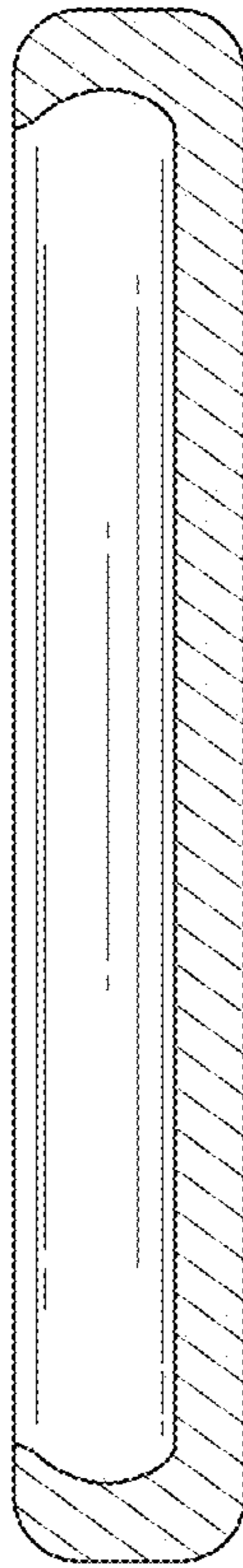


FIG. 9