



US00D889124S

(12) **United States Design Patent**
Siddamshetty

(10) **Patent No.:** **US D889,124 S**

(45) **Date of Patent:** **** Jul. 7, 2020**

- (54) **CONTAINER**
- (71) Applicant: **Sandeep Kumar Siddamshetty**,
Cumming, GA (US)
- (72) Inventor: **Sandeep Kumar Siddamshetty**,
Cumming, GA (US)
- (**) Term: **15 Years**
- (21) Appl. No.: **29/717,662**
- (22) Filed: **Dec. 18, 2019**
- (51) **LOC (12) Cl.** **03-01**
- (52) **U.S. Cl.**
USPC **D3/271.9; D3/270**
- (58) **Field of Classification Search**
USPC D3/234, 255, 270, 271.1, 271.3, 271.9,
D3/320, 256, 262, 279, 299, 301, 303,
D3/318, 319, 273, 289, 292, 294-296,
D3/232, 244
CPC .. A45C 1/00; A45C 1/02; A45C 1/024; A45C
1/08; A45C 3/00; A45C 3/10; A45C
2003/001; A45C 2011/003; A45C 5/00
See application file for complete search history.

- D522,710 S * 6/2006 Beacham D99/37
- D541,552 S 5/2007 Weldon
- D557,499 S 12/2007 Friedman
- D565,288 S 4/2008 Hickman
- D575,079 S 8/2008 Hirsh
- D580,775 S 11/2008 Harris
- D589,765 S 4/2009 Zulloff
- D627,233 S 11/2010 Blakeman
- D629,306 S 12/2010 Staton et al.
- 7,954,634 B2 6/2011 Blakeman
- D653,809 S * 2/2012 Gelin D21/712
- D666,919 S 9/2012 Gelin
- D685,127 S * 6/2013 Reich D26/104
- 8,684,397 B2 4/2014 Blakeman
- D714,868 S 10/2014 Nash
- D724,902 S * 3/2015 Dickerson D7/625
- D738,128 S 9/2015 Paslawski
- D775,913 S 1/2017 Knirr
- D789,748 S 6/2017 Peters et al.
- D790,282 S 6/2017 Price et al.
- D797,447 S * 9/2017 Peng D3/271.9
- D800,508 S 10/2017 Peters

(Continued)

Primary Examiner — Holly E Thurman
(74) *Attorney, Agent, or Firm* — Dunlap, Bennett &
Ludwig, PLLC

(57) **CLAIM**

The ornamental design for a container, as shown and described.

DESCRIPTION

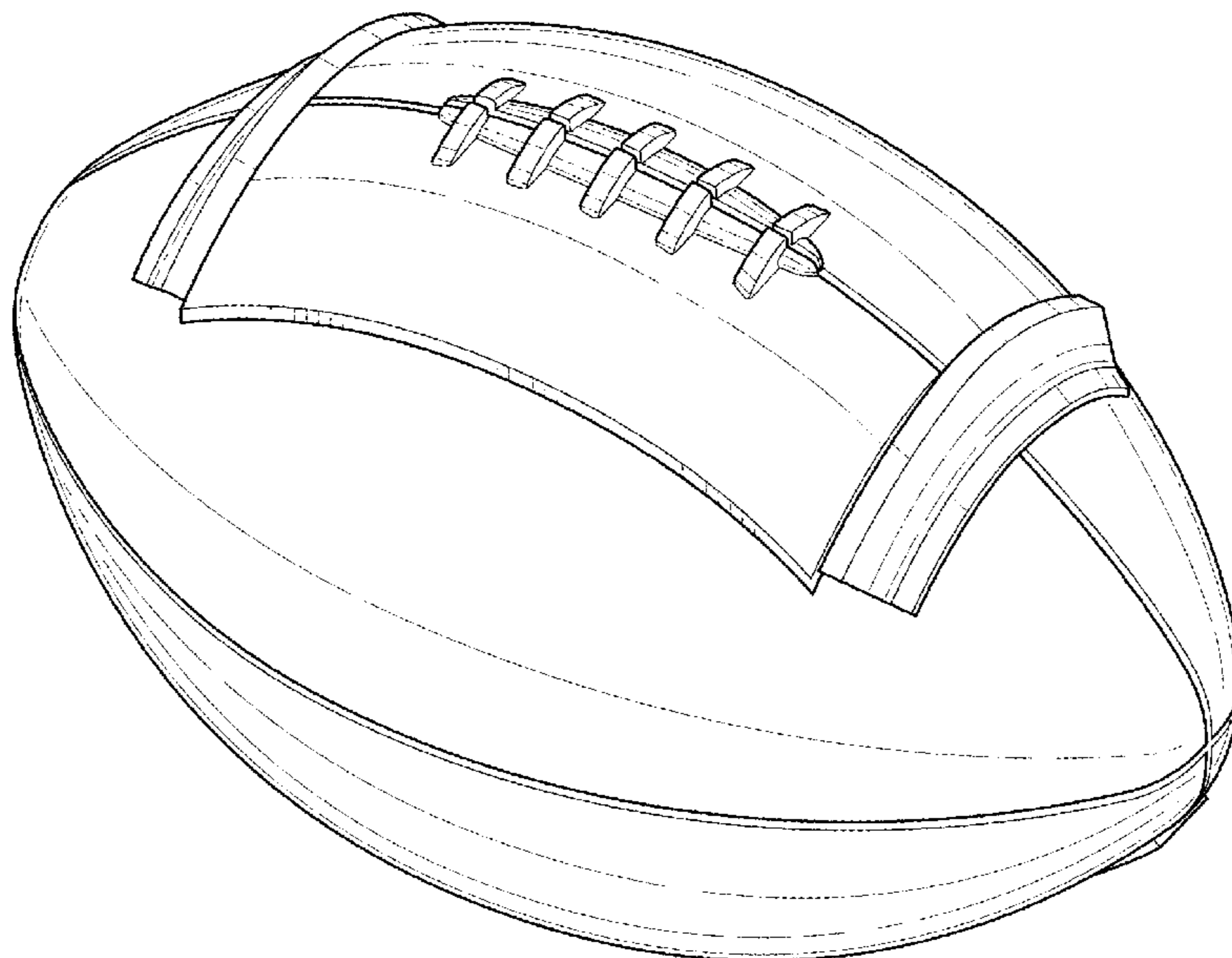
FIG. 1 is a perspective view of a container, showing my new design;
FIG. 2 is a front elevation view thereof;
FIG. 3 is a rear elevation view thereof;
FIG. 4 is a right-side elevation view thereof;
FIG. 5 is a left-side elevation view thereof;
FIG. 6 is a top plan view thereof; and,
FIG. 7 is a bottom plan view thereof.

1 Claim, 6 Drawing Sheets

(56) **References Cited**

U.S. PATENT DOCUMENTS

- D248,189 S * 6/1978 Loomis D3/271.9
- D251,284 S 3/1979 Weaver
- D310,137 S * 8/1990 Mays D21/712
- D332,741 S 1/1993 Turner
- D348,969 S * 7/1994 Barbour D99/30
- D370,154 S 5/1996 Gruneisen, III
- D392,844 S * 3/1998 Todorya D7/606
- D394,348 S * 5/1998 Aliff D3/234
- D411,715 S 6/1999 Hansen
- D420,003 S * 2/2000 Dervish D14/189
- D424,375 S 5/2000 DArrigo
- D425,757 S * 5/2000 Printz D7/510
- D518,596 S * 4/2006 Angeletta D28/7



(56)

References Cited

U.S. PATENT DOCUMENTS

D815,979 S	*	4/2018	Odigie	D11/157
D843,106 S	*	3/2019	Price	D3/202
D853,196 S	*	7/2019	Cramton	D7/515
D853,792 S		7/2019	Cramton	

* cited by examiner

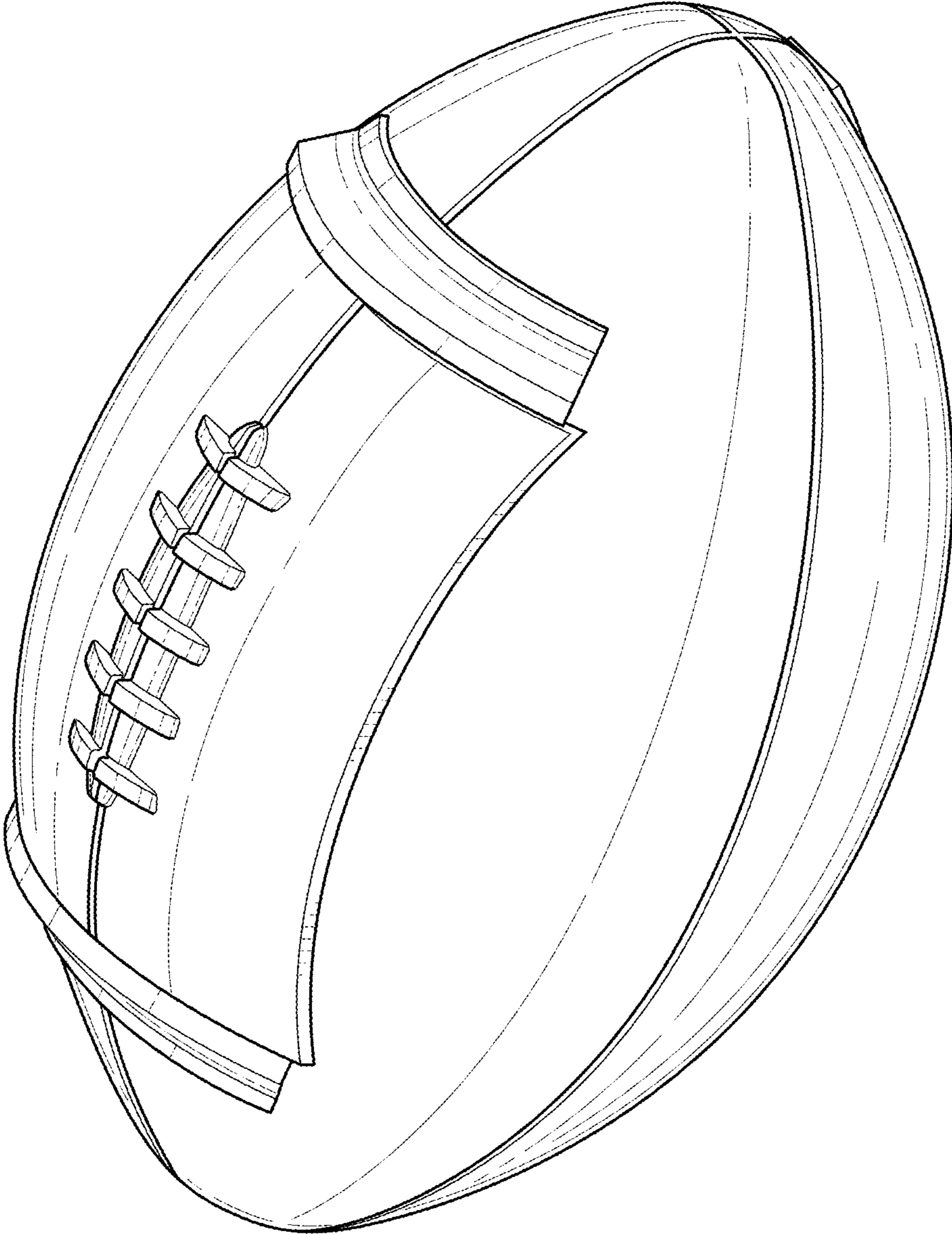


FIG. 1

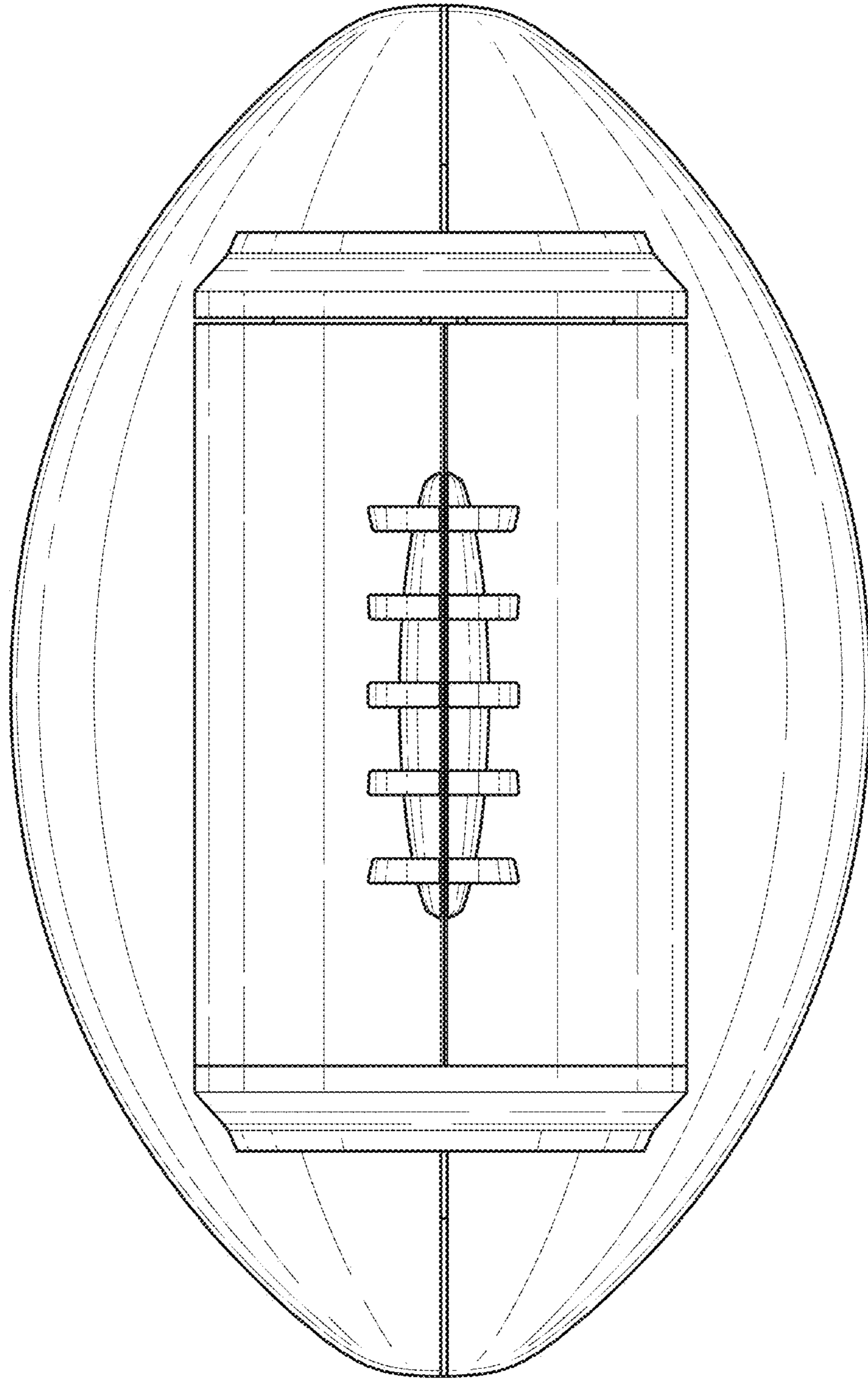


FIG. 2

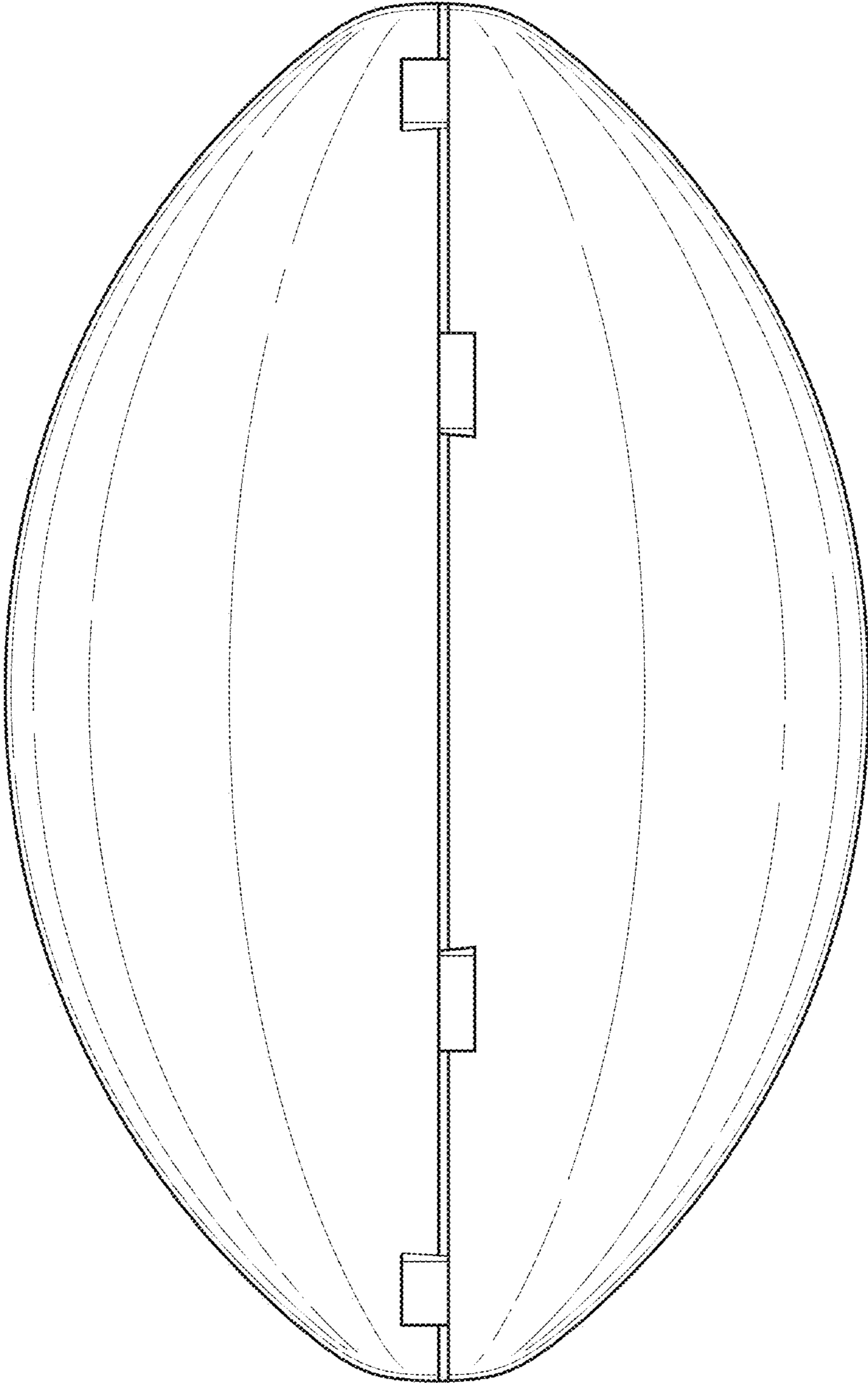


FIG. 3

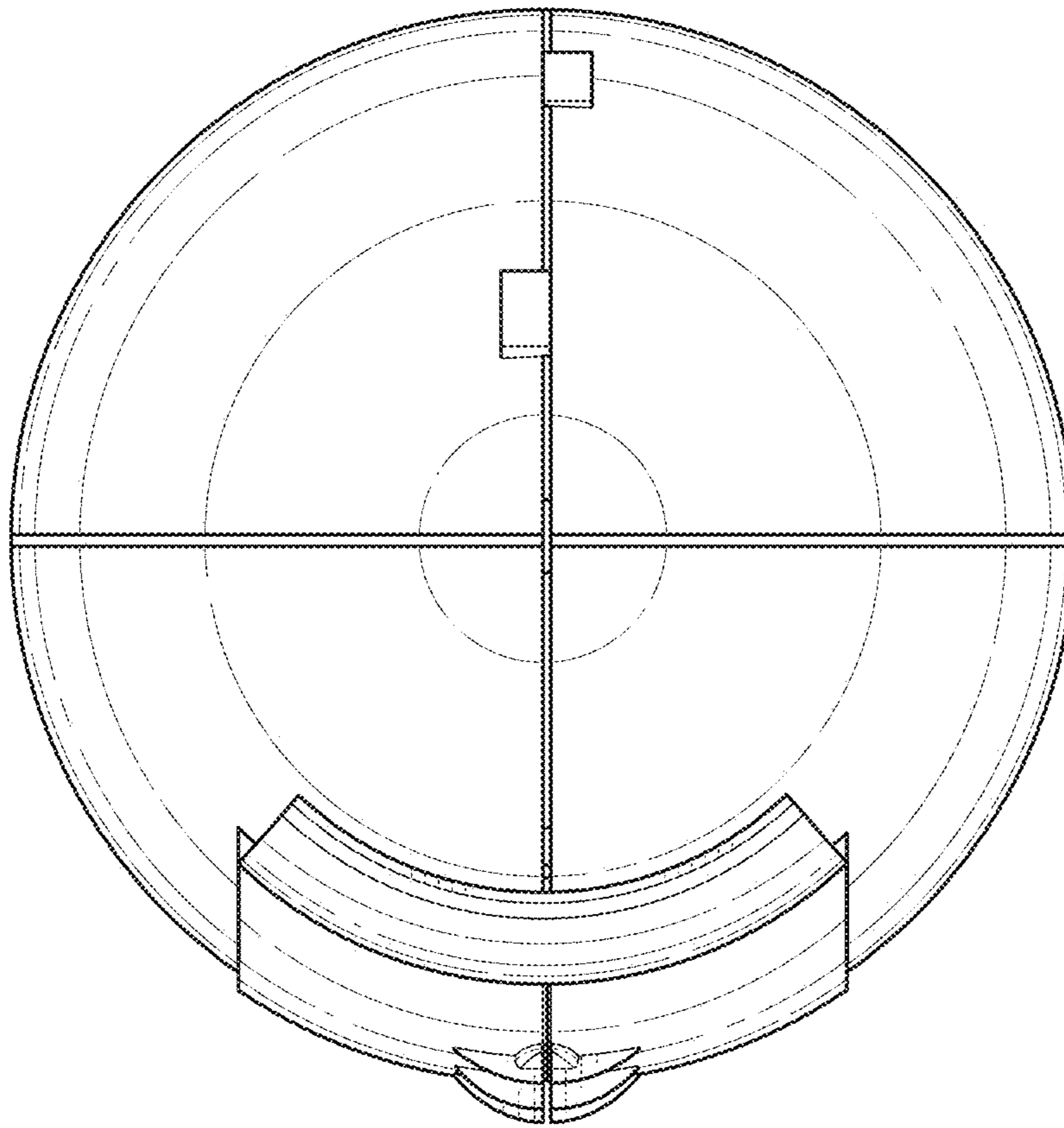


FIG. 5

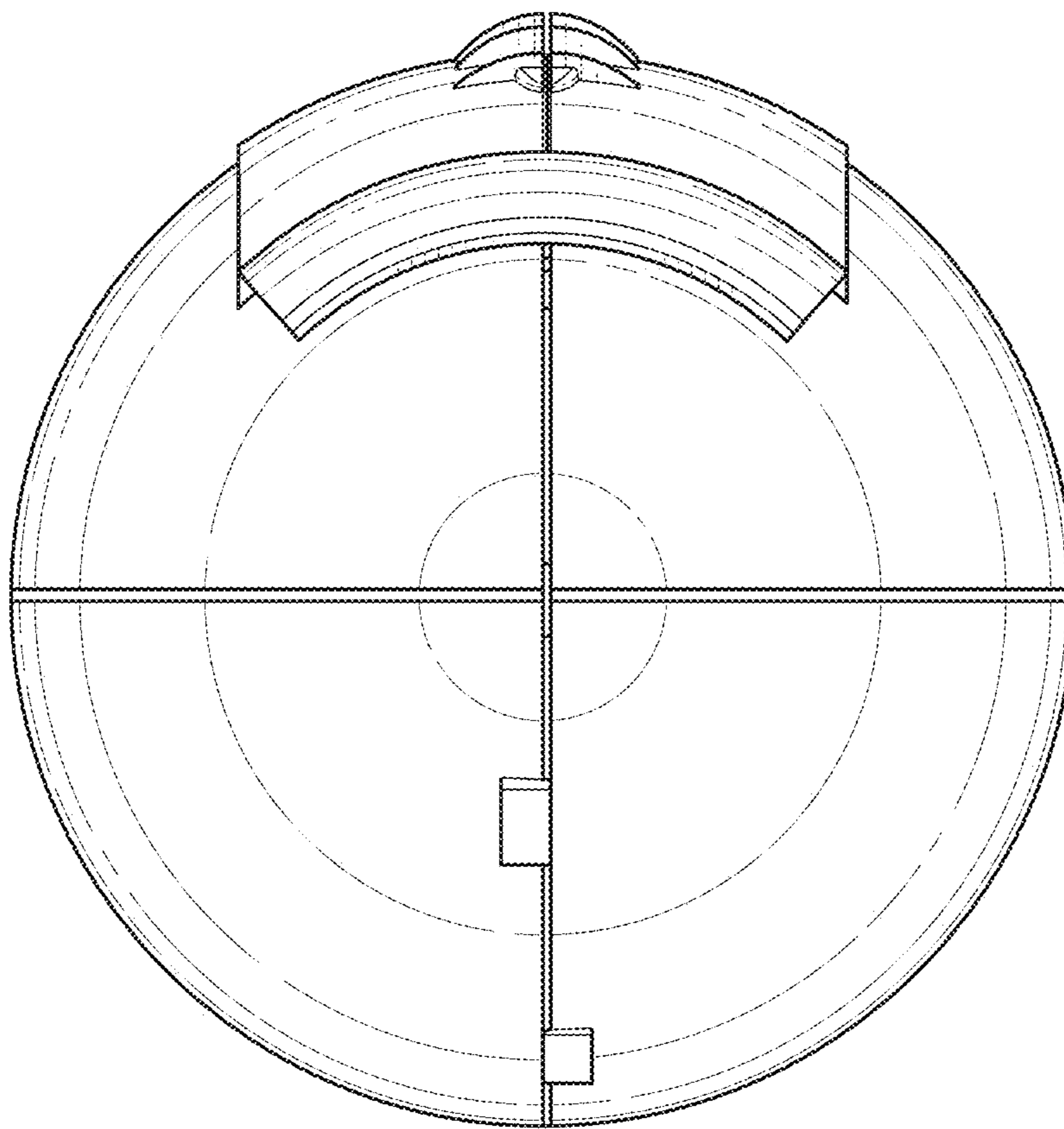


FIG. 4

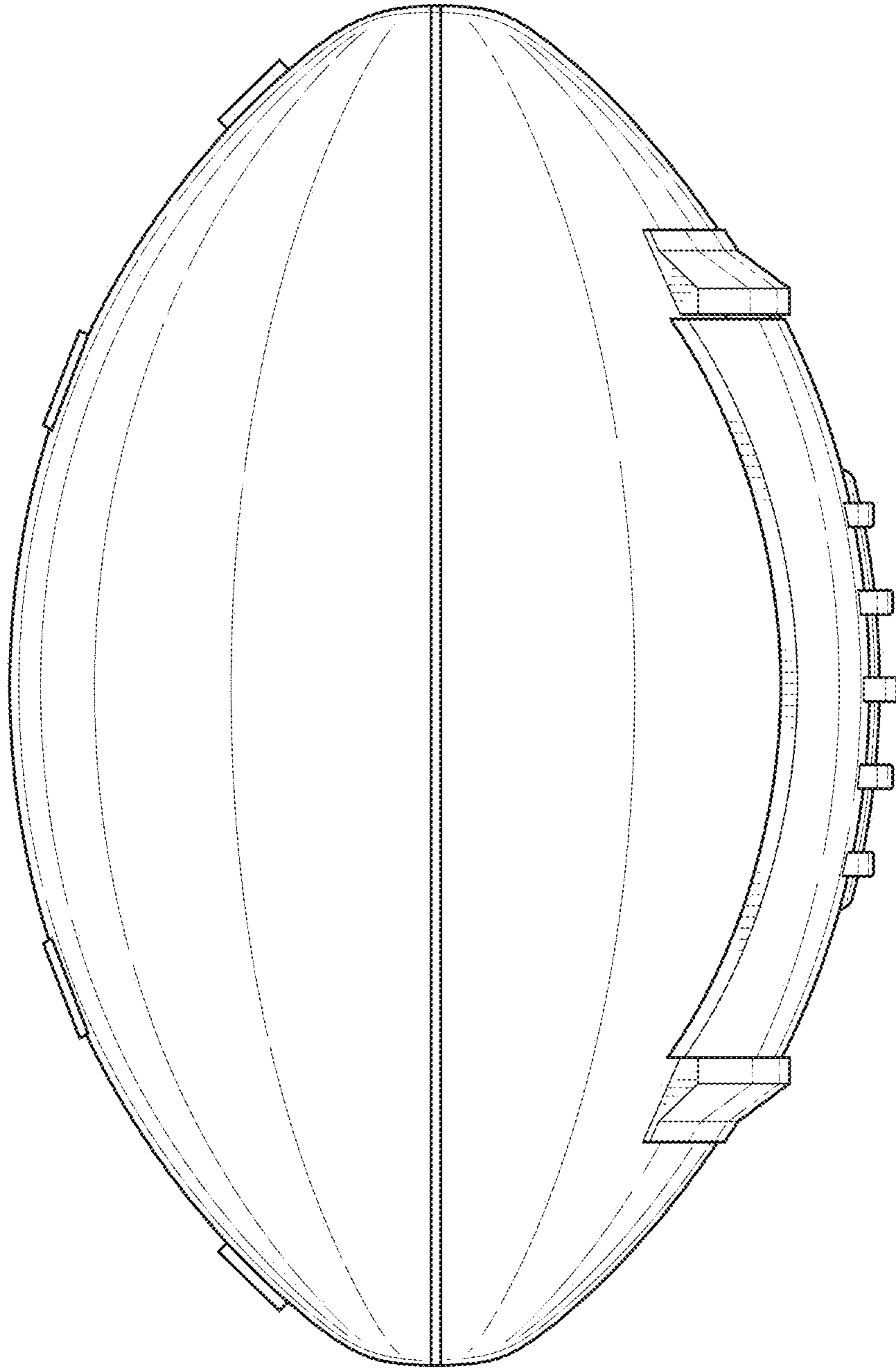


FIG. 6

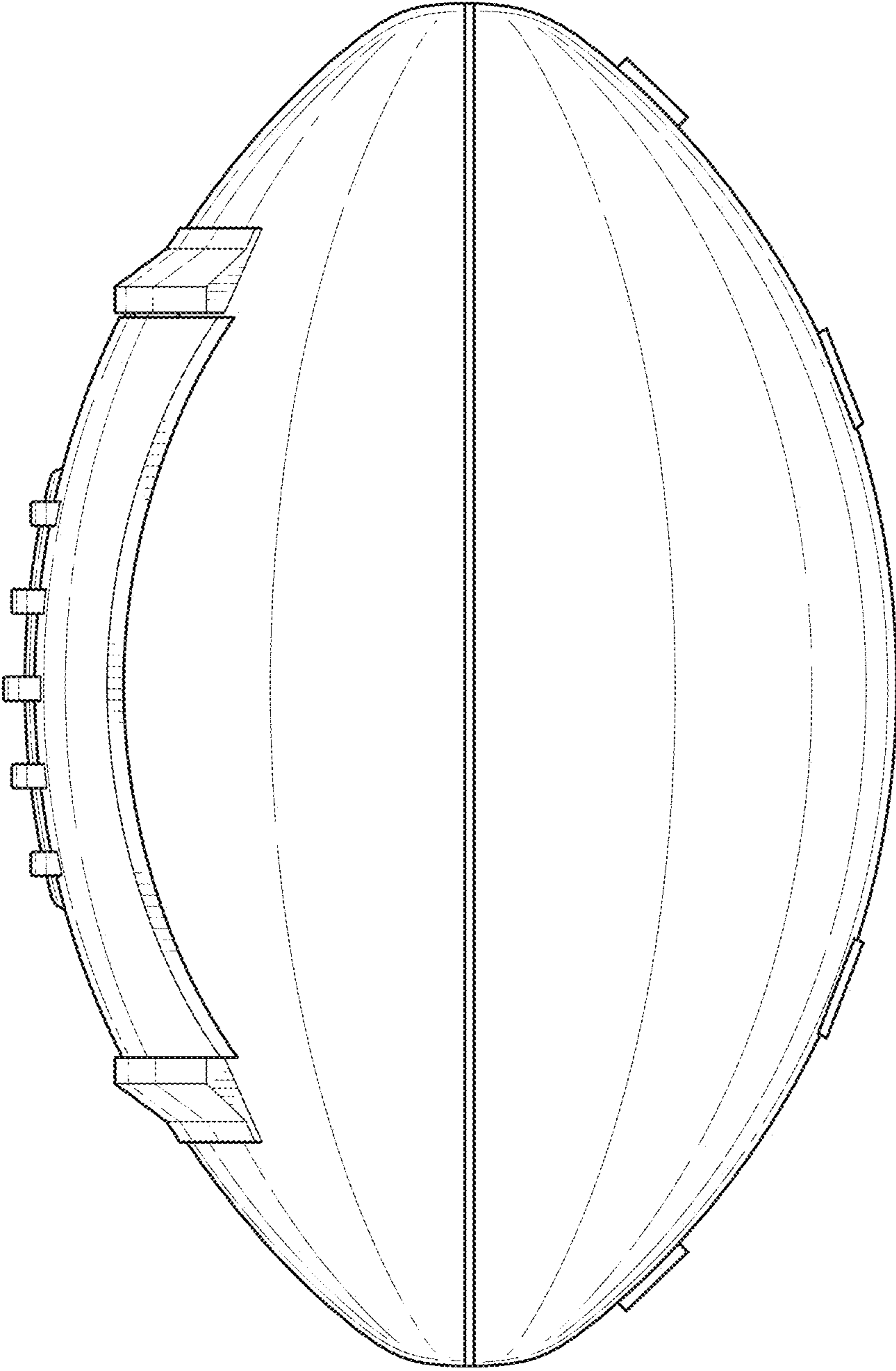


FIG. 7