



US00D889120S

(12) **United States Design Patent** (10) **Patent No.:** **US D889,120 S**
Vandamia (45) **Date of Patent:** **** Jul. 7, 2020**

(54) **WEARABLE FISHING ROD HOLDER**

(71) Applicant: **Christopher Vandamia**, Eighty Four, PA (US)

(72) Inventor: **Christopher Vandamia**, Eighty Four, PA (US)

(**) Term: **15 Years**

(21) Appl. No.: **29/694,495**

(22) Filed: **Jun. 11, 2019**

Related U.S. Application Data

(63) Continuation-in-part of application No. 16/418,519, filed on May 21, 2019.

(51) **LOC (12) Cl.** **03-01**

(52) **U.S. Cl.**
USPC **D3/221**

(58) **Field of Classification Search**
USPC D3/221, 260; 248/316.2, 316.7; 224/183, 197, 219, 222, 200, 245, 251, 224/625, 922; 43/21.2
CPC ... A01K 97/10; A45F 5/00; A45F 3/02; A45F 2003/006; A45F 2005/008; Y10S 224/922
See application file for complete search history.

(56) **References Cited**

U.S. PATENT DOCUMENTS

- 2,954,909 A * 10/1960 Miller A01K 97/10 224/200
- D233,865 S * 12/1974 Vanus D3/221
- 4,081,115 A * 3/1978 White A01K 97/10 224/200
- D298,699 S * 11/1988 Glawe D3/221
- 4,858,364 A * 8/1989 Butts
- D318,954 S * 8/1991 Parkhurst D3/221

- D335,031 S * 4/1993 Resnik D22/147
- 6,237,821 B1 5/2001 Owen
- 6,267,276 B1 7/2001 Cook
- 6,357,639 B1 3/2002 Williams
- 6,729,064 B2 5/2004 Congialosi
- D754,429 S * 4/2016 Johns D22/147
- 2005/0145663 A1 7/2005 Samuels
- 2014/0360086 A1* 12/2014 Finlan A01K 97/10 43/21.2

* cited by examiner

Primary Examiner — Catherine R Oliver-Garcia
(74) *Attorney, Agent, or Firm* — Boudwin Intellectual Property; Daniel Boudwin

(57) **CLAIM**

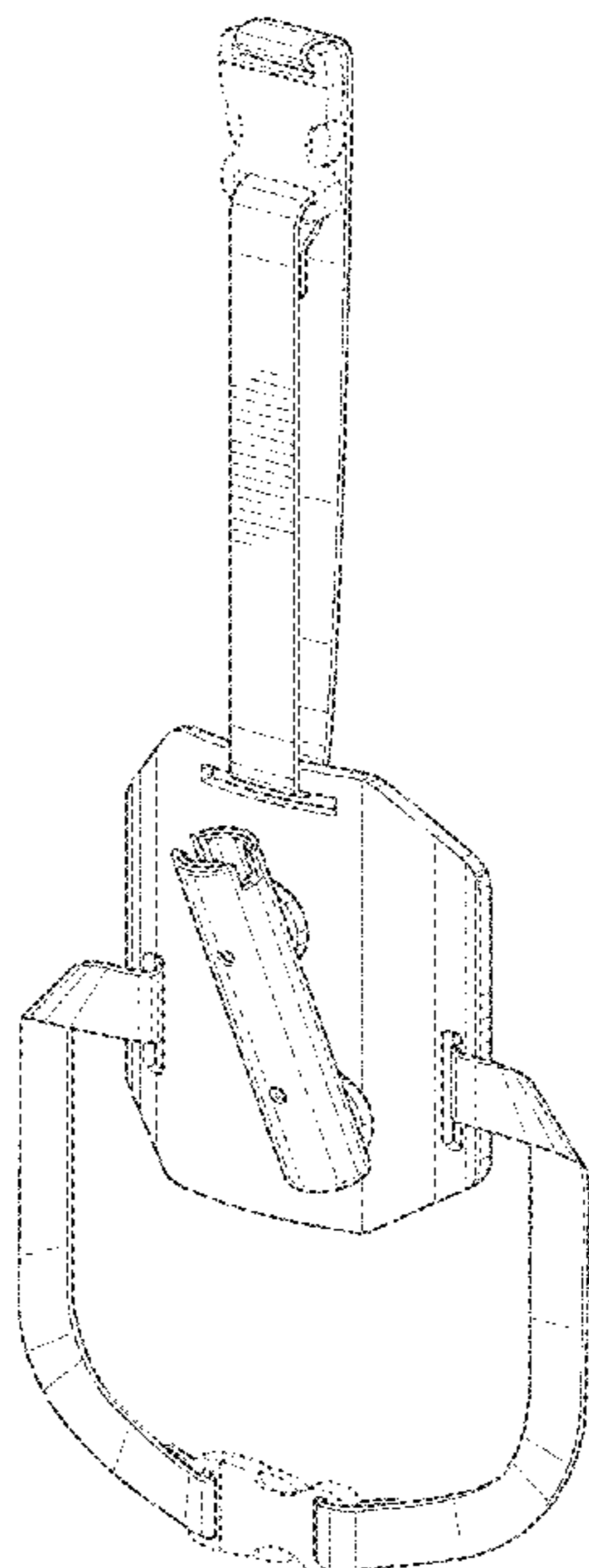
The ornamental design for a wearable fishing rod holder, as shown and described.

DESCRIPTION

FIG. 1 shows a perspective view of a wearable fishing rod holder;
 FIG. 2 shows a front view of the wearable fishing rod holder;
 FIG. 3 shows a rear view of the wearable fishing rod holder;
 FIG. 4 shows a right side view of the wearable fishing rod holder;
 FIG. 5 shows a left side view of the wearable fishing rod holder;
 FIG. 6 shows a top plan view of the wearable fishing rod holder; and,
 FIG. 7 shows a bottom plan view of the wearable fishing rod holder.

The shade lines in the Figures show contour and not surface ornamentation.
 The broken lines shown in the Figures show portions of the wearable fishing rod holder device which form no part of the claimed design.

1 Claim, 5 Drawing Sheets



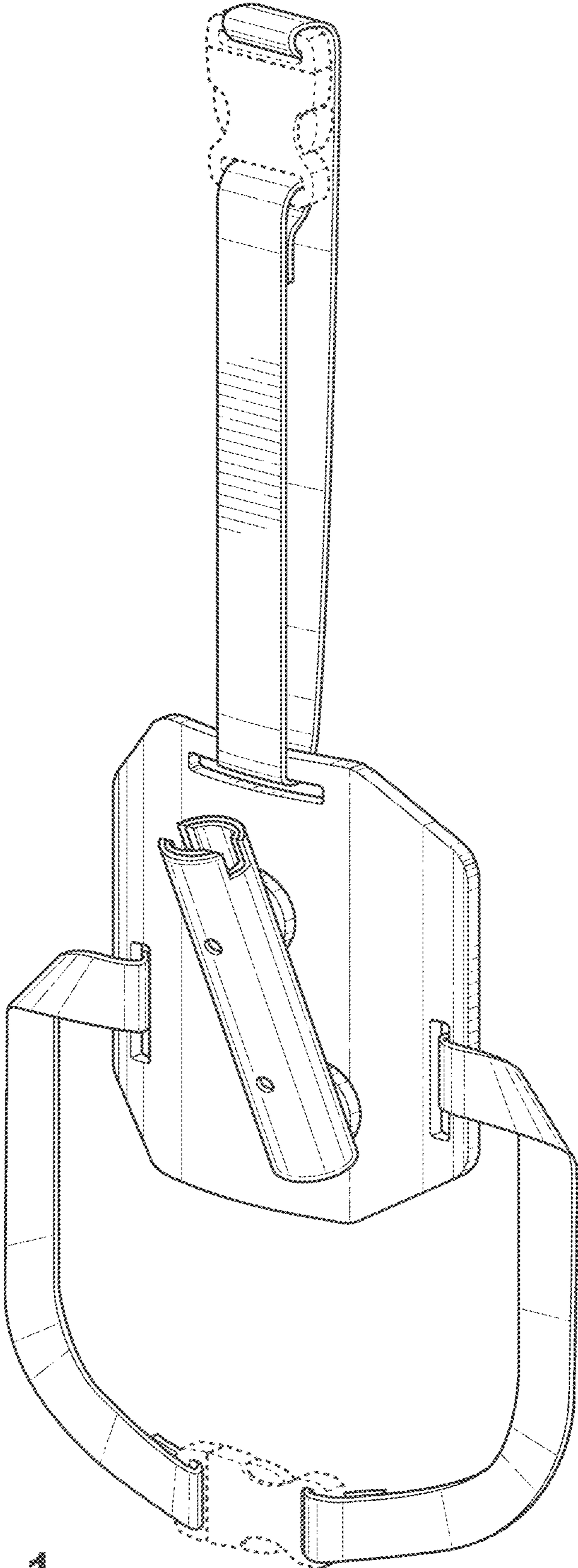


FIG. 1

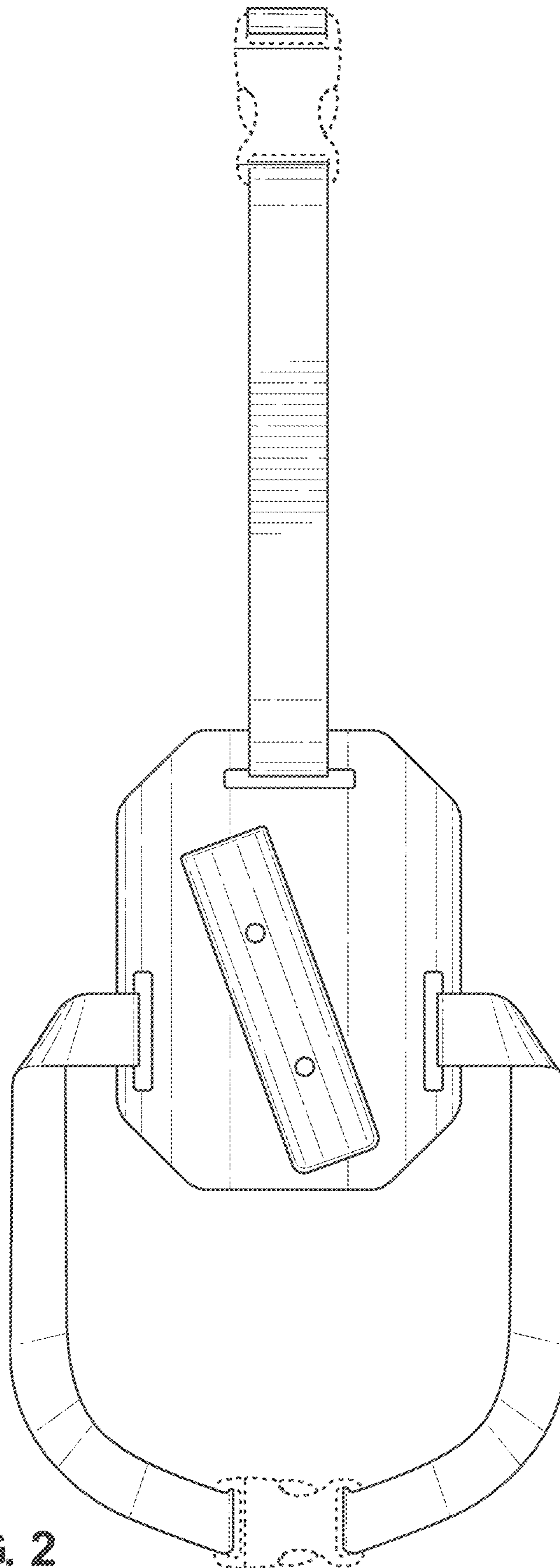


FIG. 2

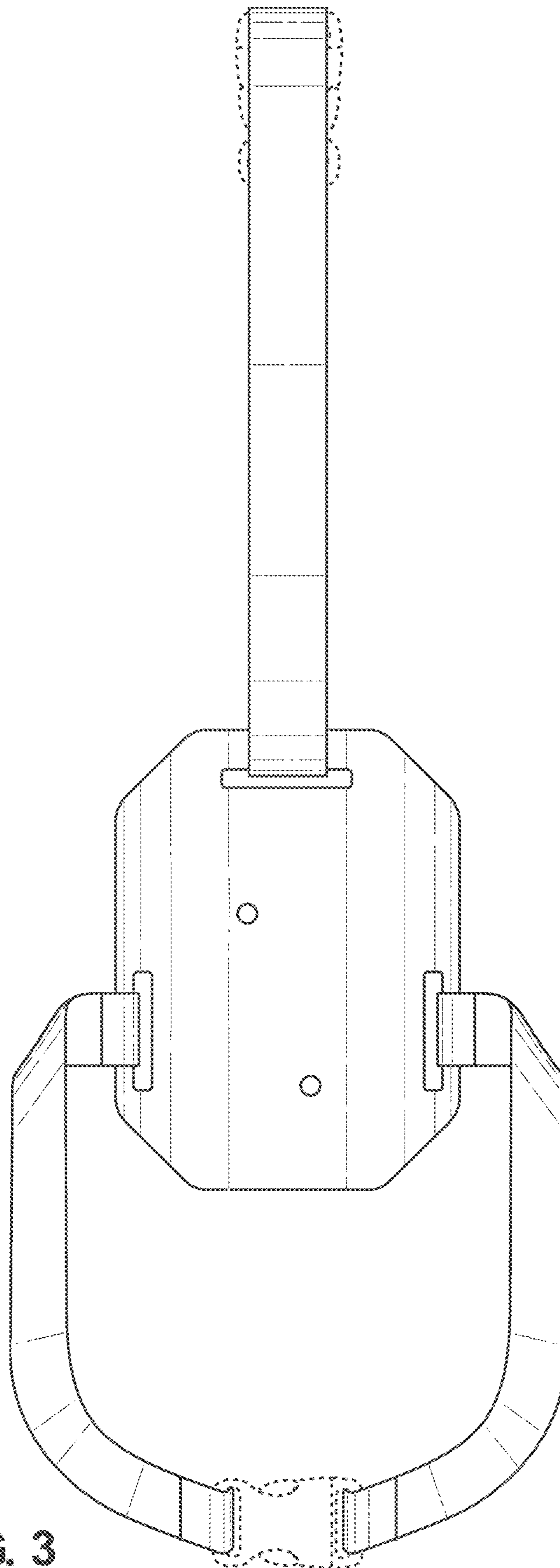


FIG. 3

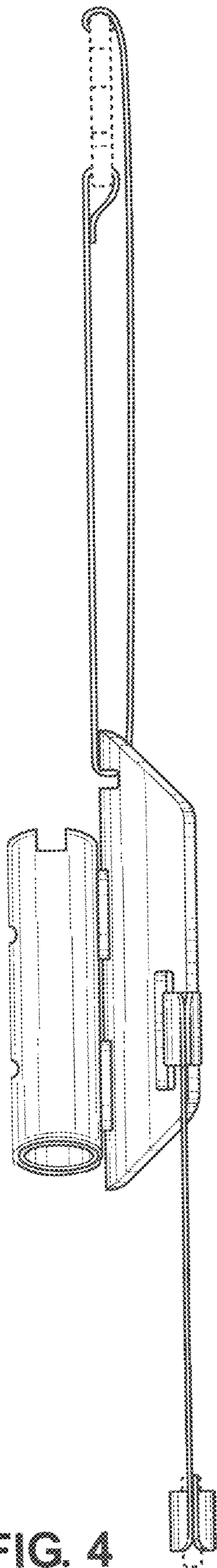


FIG. 4

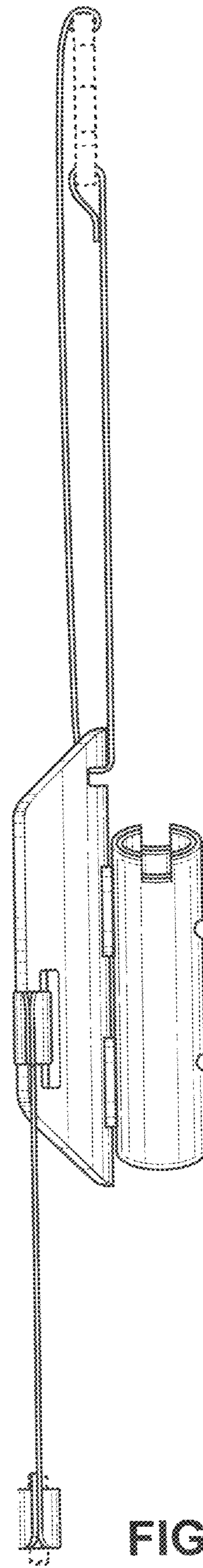


FIG. 5

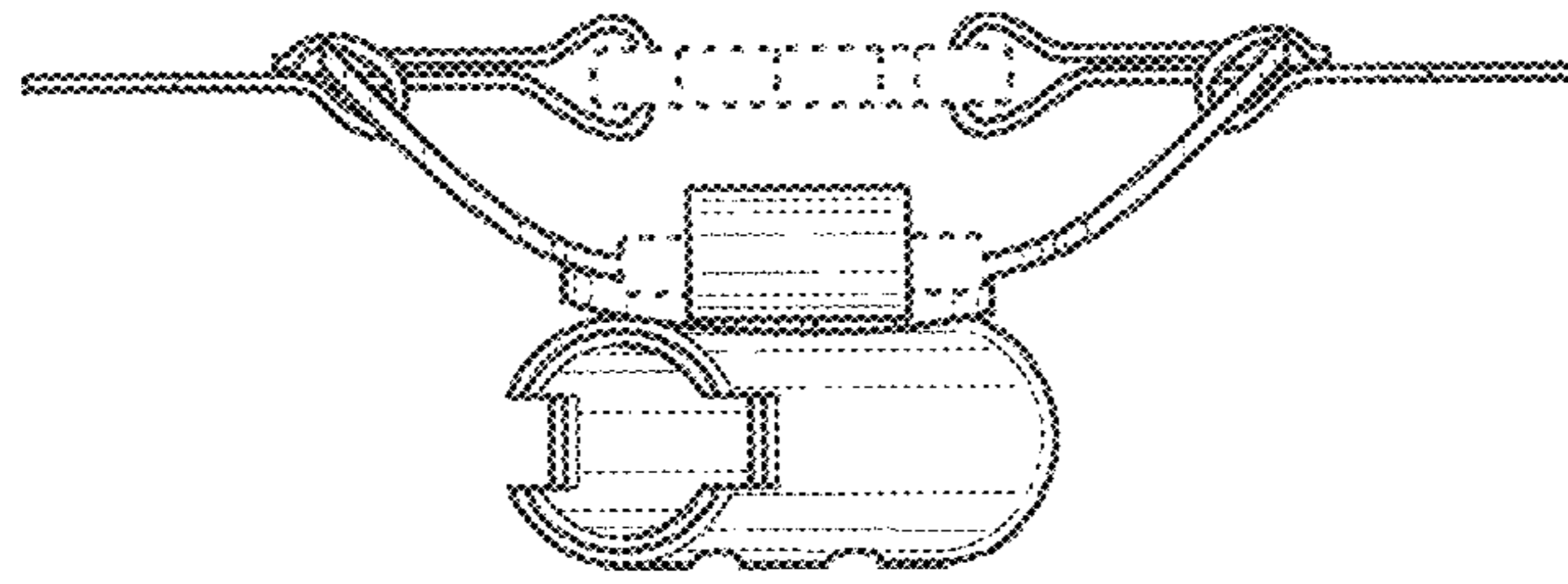


FIG. 6

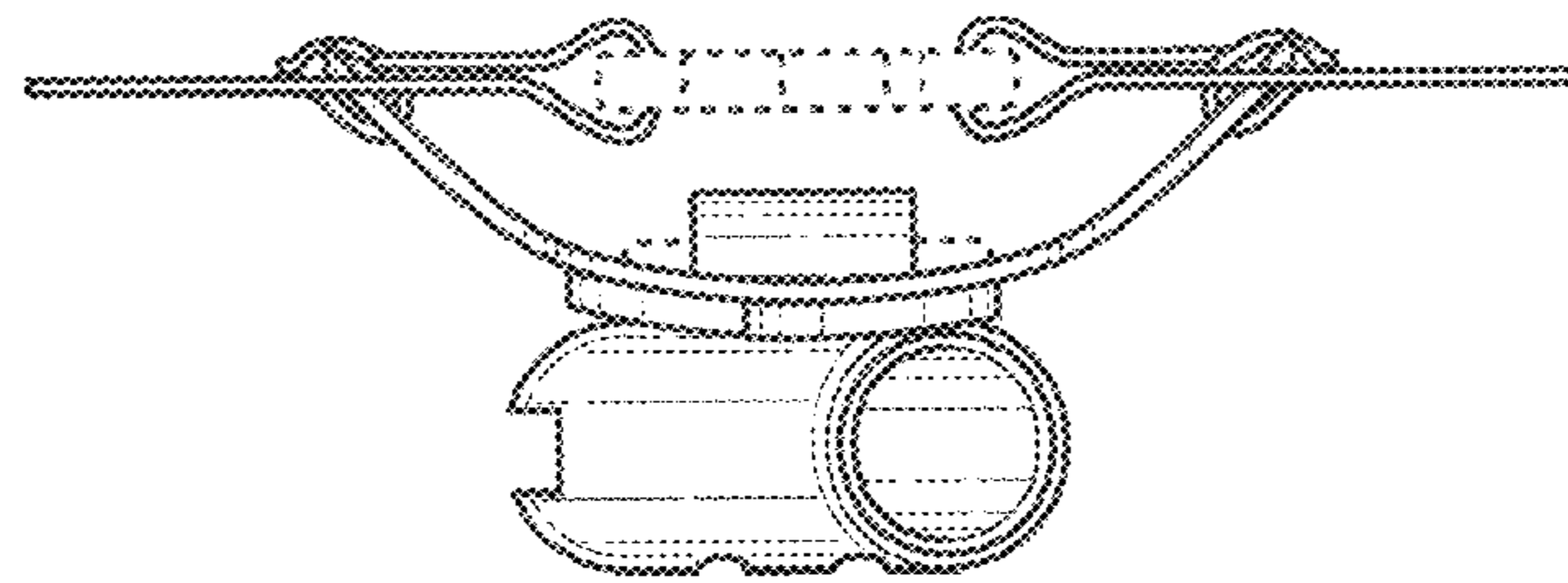


FIG. 7