



US00D889118S

(12) **United States Design Patent**
Lee

(10) **Patent No.:** **US D889,118 S**
(45) **Date of Patent:** **** Jul. 7, 2020**

(54) **PILL ORGANIZER**

(71) Applicant: **E-LINK PLASTIC & METAL INDUSTRIAL CO., LTD.**, New Taipei (TW)

(72) Inventor: **Cheng-Hua Lee**, New Taipei (TW)

(73) Assignee: **E-LINK PLASTIC & METAL INDUSTRIAL CO., LTD.**, New Taipei (TW)

(**) Term: **15 Years**

(21) Appl. No.: **29/688,038**

(22) Filed: **Apr. 17, 2019**

(51) **LOC (12) Cl.** **03-01**

(52) **U.S. Cl.**
USPC **D3/203.2**

(58) **Field of Classification Search**
USPC D3/201, 203.1–203.8, 273, 294, 295;
D9/420, 421, 757, 759
CPC B65D 1/36; B65D 2583/04; B65D 83/04;
B65D 83/0445; B65D 83/0481; A61J
1/00; A61J 1/03; A61J 7/04; A61J 7/0084
See application file for complete search history.

(56) **References Cited**

U.S. PATENT DOCUMENTS

- D290,536 S * 6/1987 Nadel D28/83
- 5,806,670 A * 9/1998 Harlan A61J 1/03
116/67 R
- D426,381 S * 6/2000 Au D3/201
- D480,180 S * 9/2003 Lai D28/83
- D575,956 S * 9/2008 Reardon D3/295
- D578,307 S * 10/2008 Chan D3/295
- D584,052 S * 1/2009 Tseng D3/291
- D591,951 S * 5/2009 Peters D3/295
- D644,839 S * 9/2011 Pitts D3/295
- D652,617 S * 1/2012 Chen D3/203.3
- D653,449 S * 2/2012 Aigle D3/295

- D661,898 S * 6/2012 Aigle D3/295
- D687,634 S * 8/2013 Greenfield D28/83
- D713,995 S * 9/2014 Felder D28/73
- D730,051 S * 5/2015 Whalen D3/284
- D733,430 S * 7/2015 Qi D3/295
- D752,290 S * 3/2016 Beilman D28/73

(Continued)

OTHER PUBLICATIONS

Homiar Pill Organizer, AM PM Pill Organizer—Weekly Pill Box, Detachable 7 Day Vitamin Container, Daily Meds Holder, Push Button Medicine Organizer with Outer Container for Travel, amazon.com, <https://www.amazon.com/Pill-Organizer-Detachable-Twice-Day/dp/B07V4BRR1C> (Year: 2019).*

Primary Examiner — Steven J Czyz

(74) *Attorney, Agent, or Firm* — Pai Patent & Trademark Law Firm; Chao-Chang David Pai

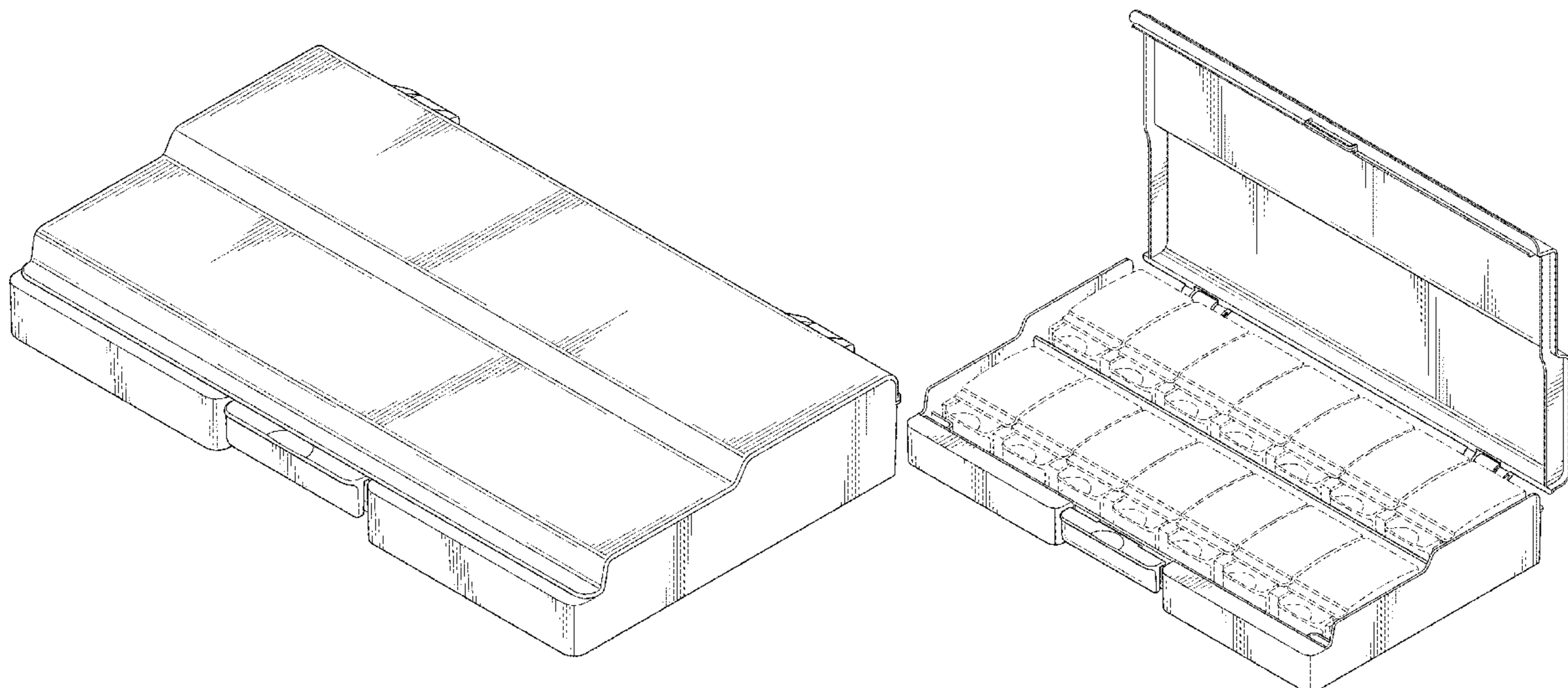
(57) **CLAIM**

The ornamental design for a pill organizer, as shown and described.

DESCRIPTION

FIG. 1 is a perspective view of a pill organizer, showing my new design;
 FIG. 2 is a front elevation view thereof;
 FIG. 3 is a rear elevation view thereof;
 FIG. 4 is a left side elevation view thereof;
 FIG. 5 is a right side elevation view thereof;
 FIG. 6 is a top plan view thereof;
 FIG. 7 is a bottom plan view thereof;
 FIG. 8 is a perspective view thereof showing the pill organizer when opened; and,
 FIG. 9 is a perspective view thereof showing the pill organizer when opened and accommodating a plurality of boxes for pills.
 The broken lines depict environment that form no part of the claimed design.

1 Claim, 9 Drawing Sheets



(56)

References Cited

U.S. PATENT DOCUMENTS

D770,770	S *	11/2016	White	D3/295
D773,187	S *	12/2016	Valk	D3/295
D785,939	S *	5/2017	Cooper	D14/250
9,764,878	B2 *	9/2017	Semer	A45C 5/005
D805,398	S *	12/2017	Torchin	D9/737
D806,389	S *	1/2018	Muhlenkamp, IV	D3/295
9,889,068	B1 *	2/2018	Bakhoun	A61J 1/03
D811,722	S *	3/2018	Padden	D3/203.1
D818,713	S *	5/2018	Fleming	D3/295
D841,983	S *	3/2019	Wang	D3/295
D851,391	S *	6/2019	Meritt	D3/203.3
10,391,027	B1 *	8/2019	Pande	B65D 83/0445
D861,324	S *	10/2019	EGGE	D3/203.2
D873,003	S *	1/2020	Beilman	D3/275
10,524,986	B2 *	1/2020	Meritt	B65D 83/0445
D877,489	S *	3/2020	Lee	D3/203.2
2007/0023316	A1 *	2/2007	Coe	A61J 1/03
					206/534
2007/0194128	A1 *	8/2007	Coe	A45C 11/00
					235/486
2009/0283437	A1 *	11/2009	Angelucci	B65D 83/0463
					206/530
2014/0262884	A1 *	9/2014	Priebe	A61J 7/04
					206/365

* cited by examiner

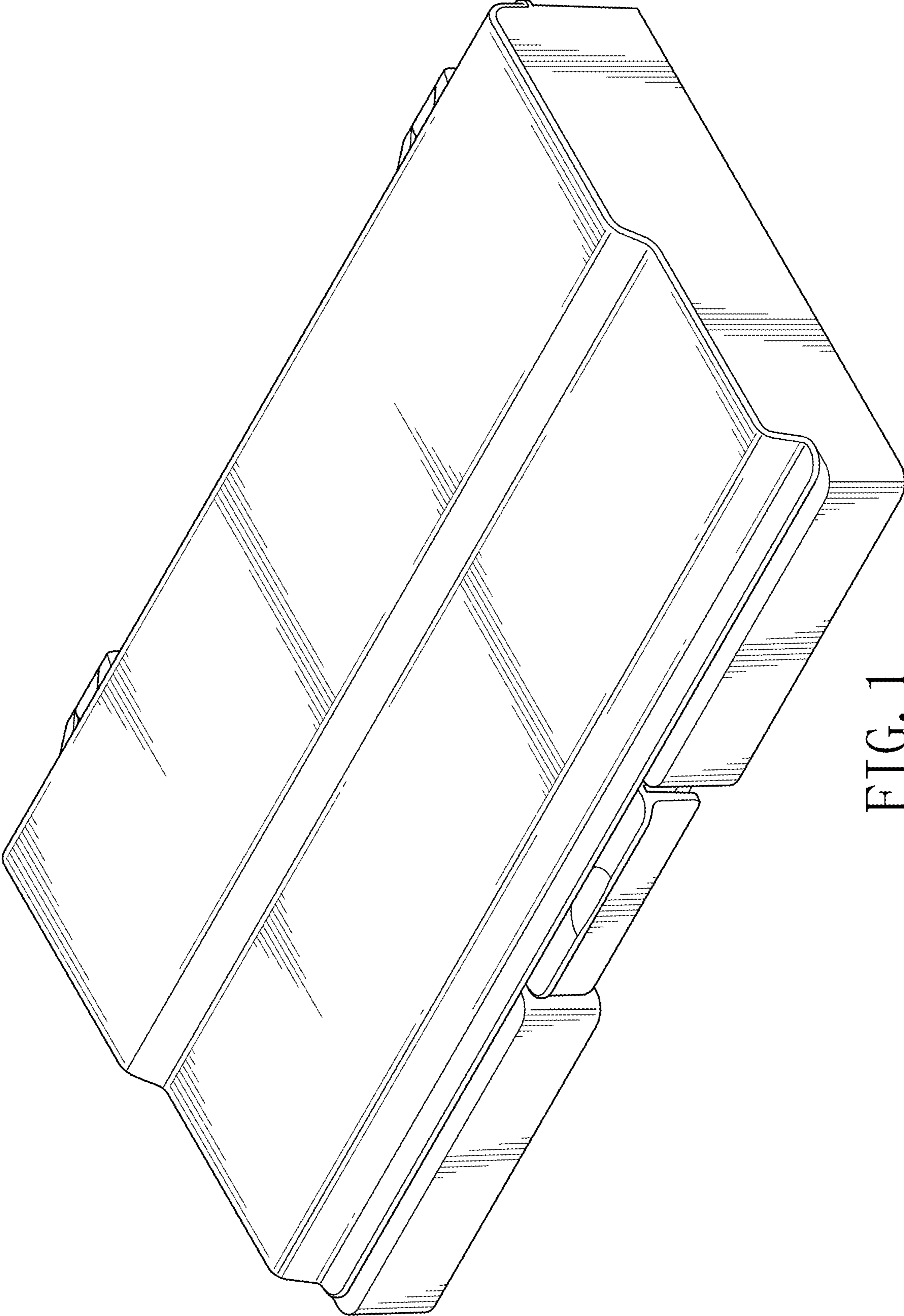


FIG. 1

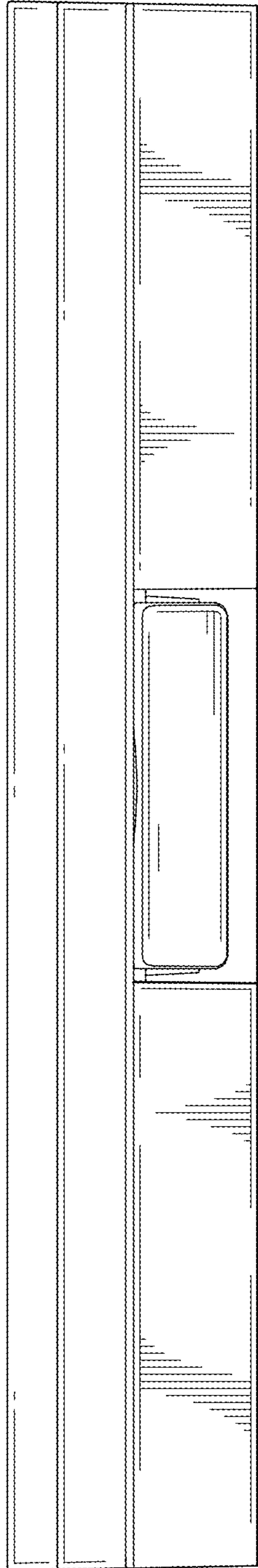


FIG. 2

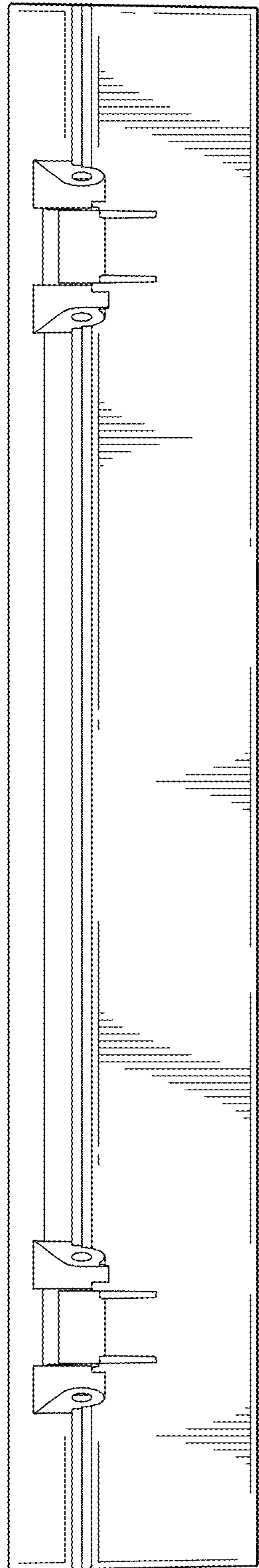


FIG. 3

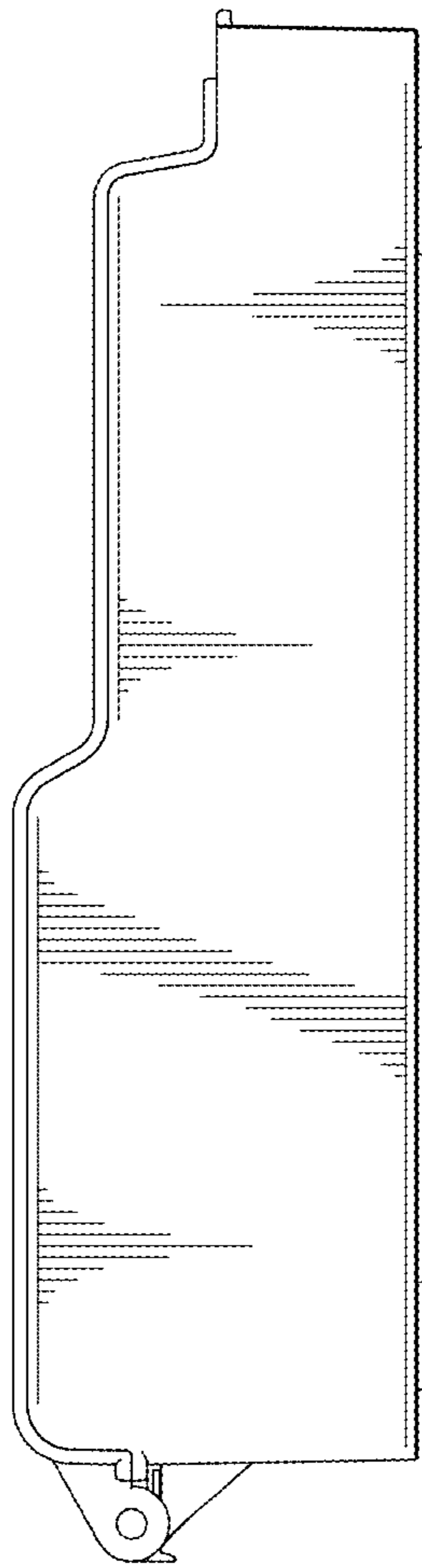


FIG. 4

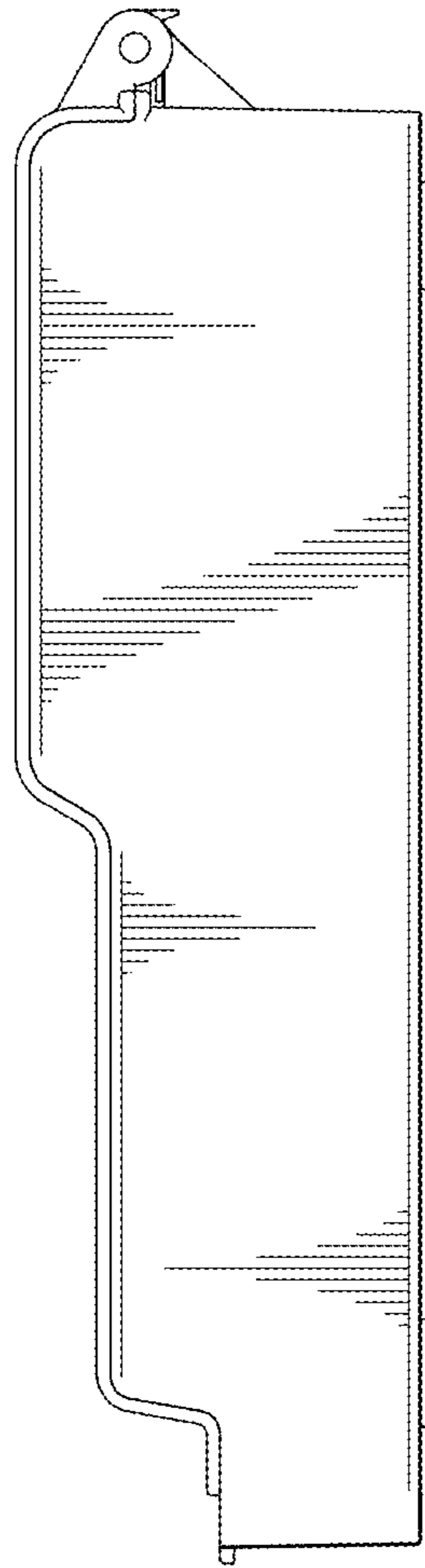


FIG. 5



FIG. 6

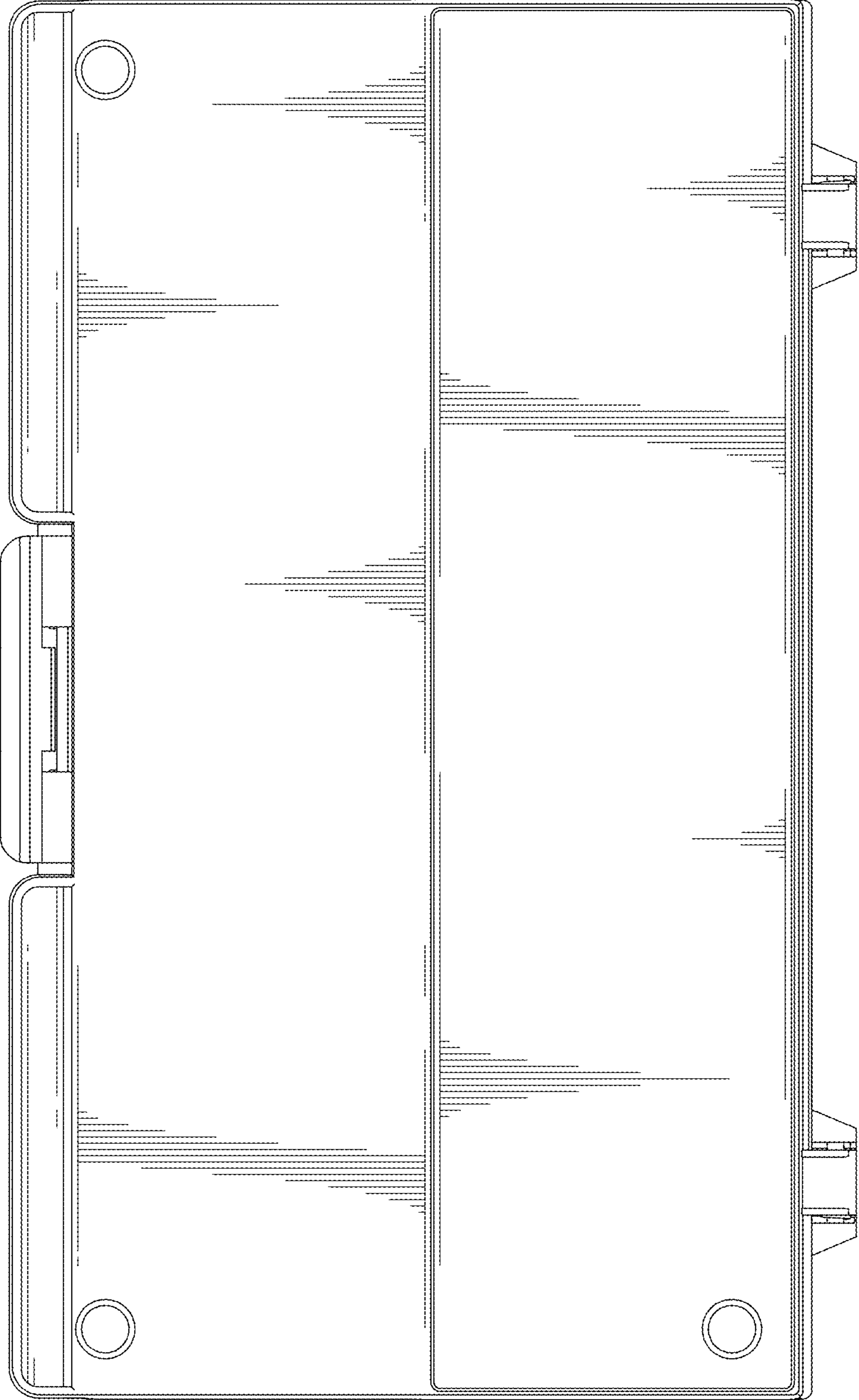


FIG. 7

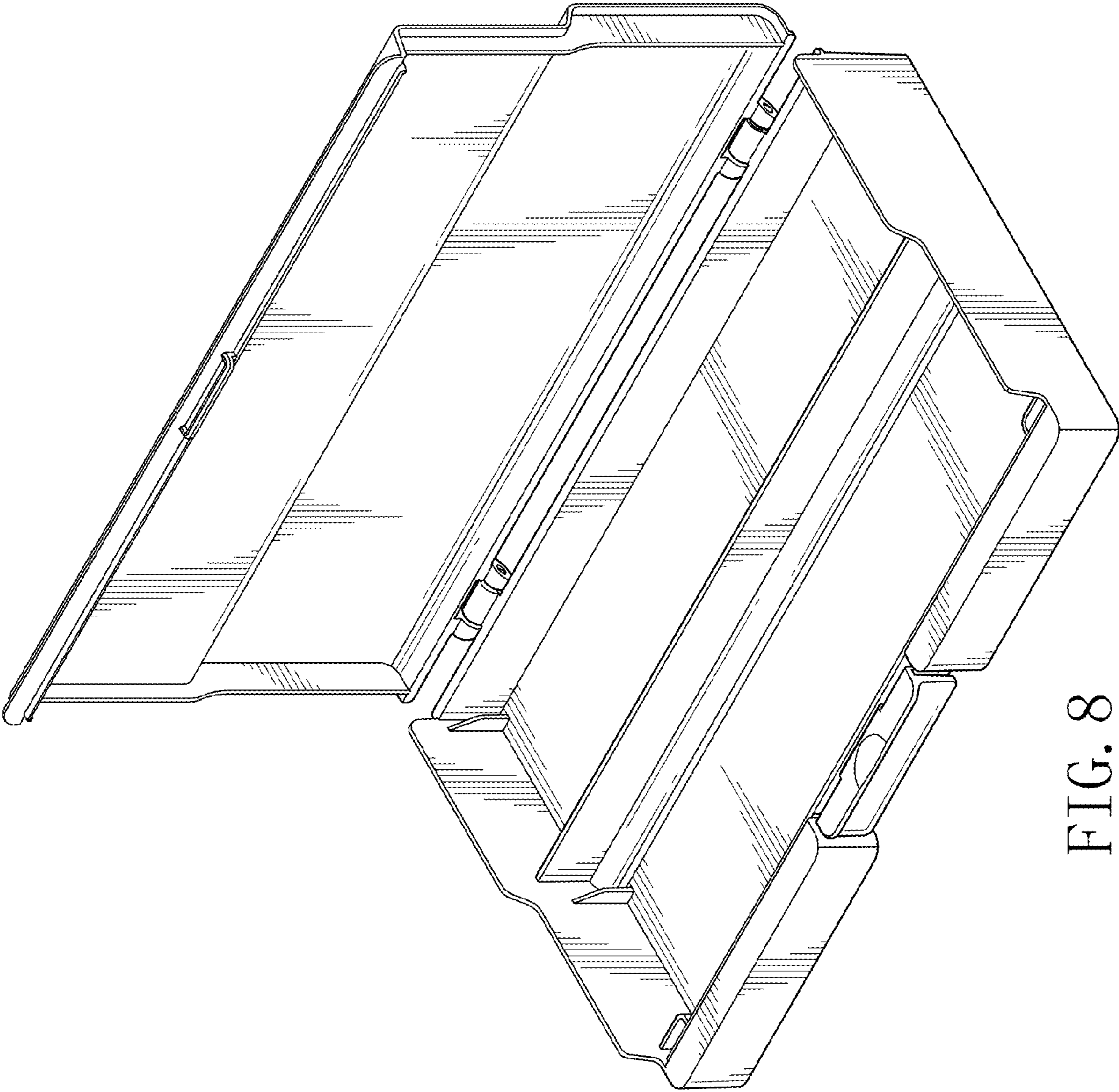


FIG. 8

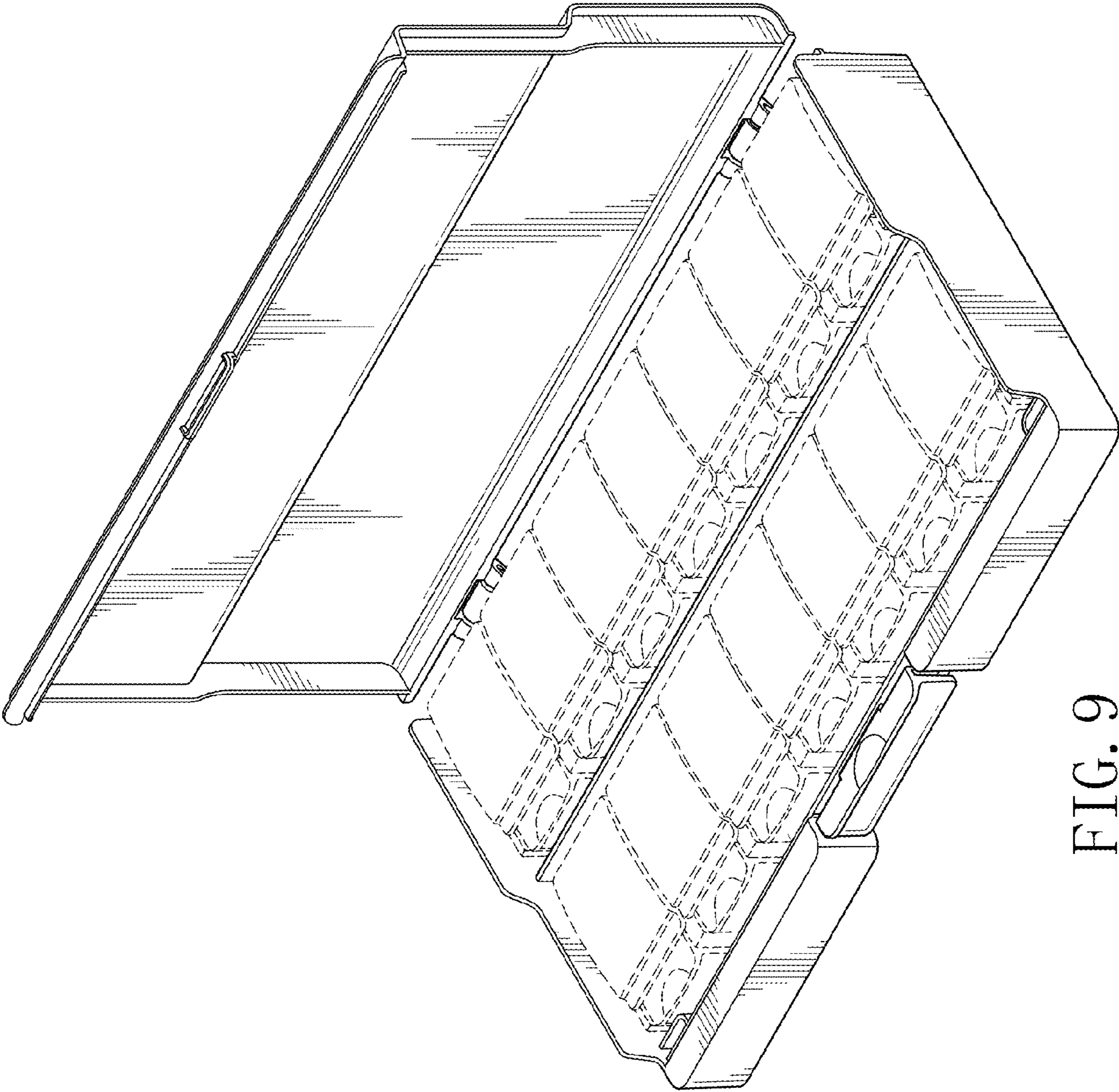


FIG. 9