



US00D889116S

(12) **United States Design Patent** (10) **Patent No.:** **US D889,116 S**
Montague et al. (45) **Date of Patent:** **** Jul. 7, 2020**

(54) **AUTOMATED EXTERNAL DEFIBRILLATOR
CARDIAC PAD COMPARTMENT COVER**

(71) Applicant: **EIR, Inc.**, Denver, CO (US)

(72) Inventors: **Gary Montague**, Denver, CO (US);
Bartosz Korec, Palm Harbor, FL (US);
Philip D'Almada Remedios, Palm
Harbor, FL (US)

(73) Assignee: **EIR, Inc.**, Denver, CO (US)

(**) Term: **15 Years**

(21) Appl. No.: **29/661,192**

(22) Filed: **Aug. 24, 2018**

(51) **LOC (12) Cl.** **03-01**

(52) **U.S. Cl.**
USPC **D3/203.1**

(58) **Field of Classification Search**
USPC D3/201, 203.1, 203.3, 203.6, 203.7, 216,
D3/217, 267, 285, 287, 289, 301
(Continued)

(56) **References Cited**

U.S. PATENT DOCUMENTS

D294,776 S * 3/1988 Gander D3/282
4,825,985 A * 5/1989 Kim A45C 3/00
190/111

(Continued)

OTHER PUBLICATIONS

PCT Patent Application PCT/US2017/067442 International Search
Report and Written Opinion dated Apr. 19, 2018.

(Continued)

Primary Examiner — Mark A Goodwin
Assistant Examiner — Benjamin M Weeks

(74) *Attorney, Agent, or Firm* — Erise IP, P.A.

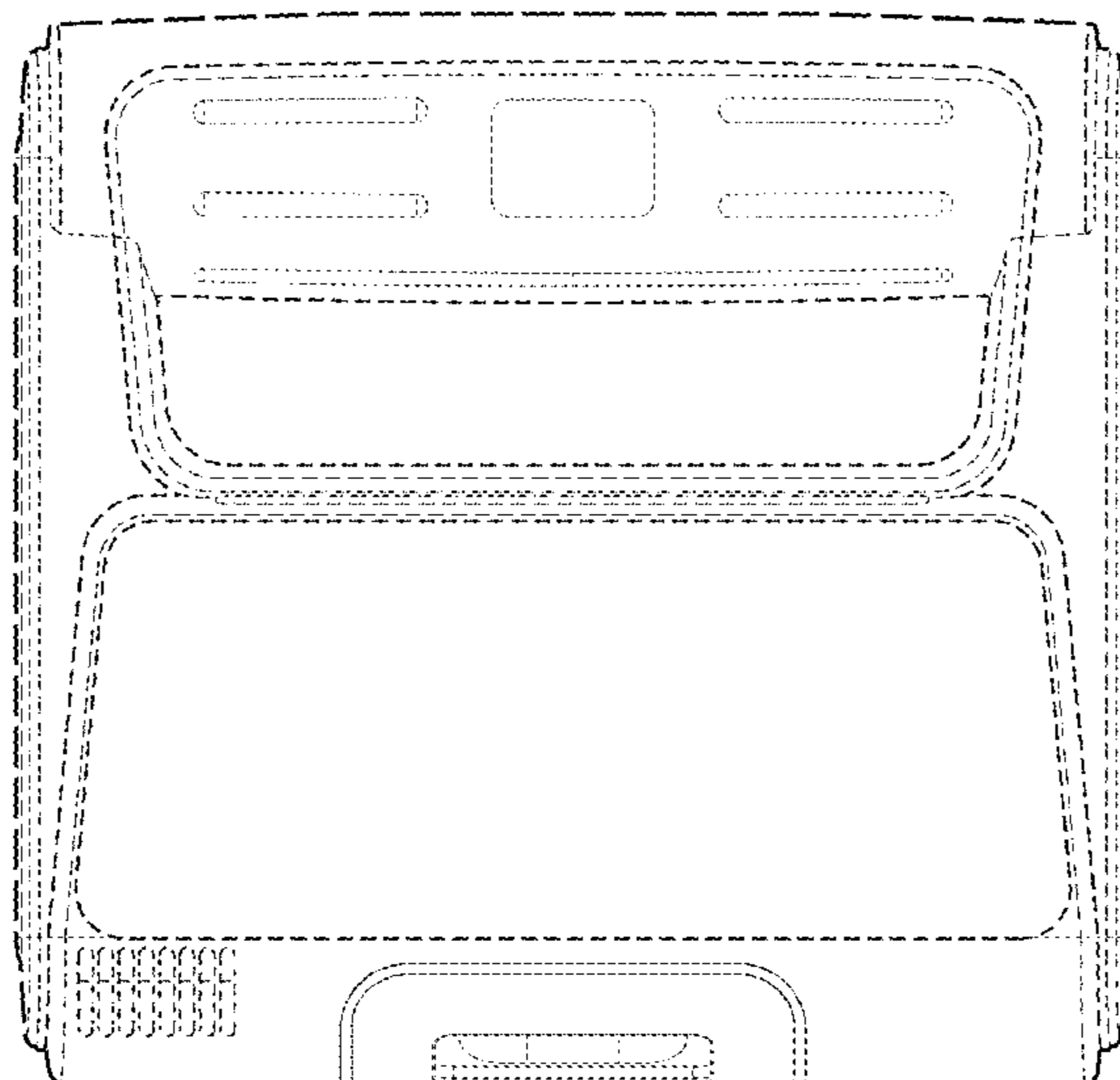
(57) **CLAIM**

The ornamental design for an automated external defibril-
lator cardiac pad compartment cover, as shown and
described.

DESCRIPTION

FIG. 1 is a top view of an automated external defibrillator
cardiac pad compartment cover from above with the com-
partment cover in a closed position;
FIG. 2 is a top view of the automated external defibrillator
cardiac pad compartment cover from above with the com-
partment cover in an open position;
FIG. 3 is a side view of the automated external defibrillator
cardiac pad compartment cover from a first side with the
compartment cover in the open position;
FIG. 4 is a side view of the automated external defibrillator
cardiac pad compartment cover from a second side, opposite
the first side, with the compartment cover in the open
position;
FIG. 5 is a front view of the automated external defibrillator
cardiac pad compartment cover showing the cardiac pad
compartment cover in the closed position;
FIG. 6 is a front view of the automated external defibrillator
cardiac pad compartment cover showing the cardiac pad
compartment cover in the open position;
FIG. 7 is a bottom view of the automated external defibril-
lator cardiac pad compartment cover showing the cardiac
pad compartment cover in the open position;
FIG. 8 is a front perspective view of the automated external
defibrillator cardiac pad compartment cover from above
showing the cardiac pad compartment cover in the closed
position; and,
FIG. 9 is a front perspective view of the automated external
defibrillator cardiac pad compartment cover from above
showing the cardiac pad compartment cover in the open
position.
The broken lines represent portions of the automated exter-
nal defibrillator cardiac pad compartment cover that form no
part of the claimed design.

1 Claim, 9 Drawing Sheets



(58) **Field of Classification Search**

CPC .. A45C 3/08; A45C 3/06; A45C 13/08; A45C
13/02; A45C 7/0086; A45C 3/00; A45C
13/26; A45F 3/04; A45F 3/02

See application file for complete search history.

2014/0004814 A1 1/2014 Elghazzawi
2014/0277227 A1 9/2014 Petersen et al.
2016/0220833 A1 8/2016 Qing et al.

OTHER PUBLICATIONS

Automated External Defibrillators-New AEDs-AED.com, www.aed.com/new-aeds.html. Retrieved Sep. 14, 2018.
How Corpuls Works, Always Very Close to the User, https://corpuls.world/, Copyright 2017, Retrieved Sep. 14, 2018.
Heartsmart.com, Defibtech Lifeline AED, www.heartsmart.com/defibtech-lifeline-aed-defibrillator-p/dcf-100.htm, Copyright 2015, Retrieved Sep. 14, 2018.
Schiller The Art of Diagnostics, The World's First Pocket Defibrillator Fred Easyport, www.schiller.ch/ca/us/product/fred-easyport, Retrieved Sep. 14, 2018.
Phillips, HeartStart FRx Automated External Defibrillator, www.usa.philips.com/healthcare/product/HC861304/heartstart-frx-automated-external-defibrillator, Copyright 2004-2018, Retrieved Sep. 14, 2018.
Phillips, HeartStart OnSite AED, Product No. M5066A, www.usa.philips.com/healthcare/product/HCM5066A/heartstart-onsite-aed, Copyright 2004-2018, Retrieved Sep. 14, 2018.
Physio Control, Product Overview, www.physio-control.com/ProductsPrehospital.aspx, Copyright 2018, Retrieved Sep. 14, 2018.

(56) **References Cited**

U.S. PATENT DOCUMENTS

5,394,964 A * 3/1995 White A45C 3/02
190/1
D383,303 S * 9/1997 Murphy D3/201
6,267,238 B1 * 7/2001 Miller A45C 13/02
206/349
D447,631 S * 9/2001 Hillman D3/276
D455,256 S * 4/2002 Tyler D3/219
D486,516 S * 2/2004 Hendee B42D 3/04
D19/26
D486,517 S * 2/2004 Hendee D19/26
D552,348 S * 10/2007 Martin D3/265
D574,615 S * 8/2008 Picot D3/289
2007/0032830 A1 2/2007 Bowers
2011/0190839 A1 8/2011 Vaisnys et al.
2011/0224745 A1 9/2011 Magruder
2013/0012151 A1 1/2013 Hankins
2013/0132465 A1 5/2013 Brown

* cited by examiner

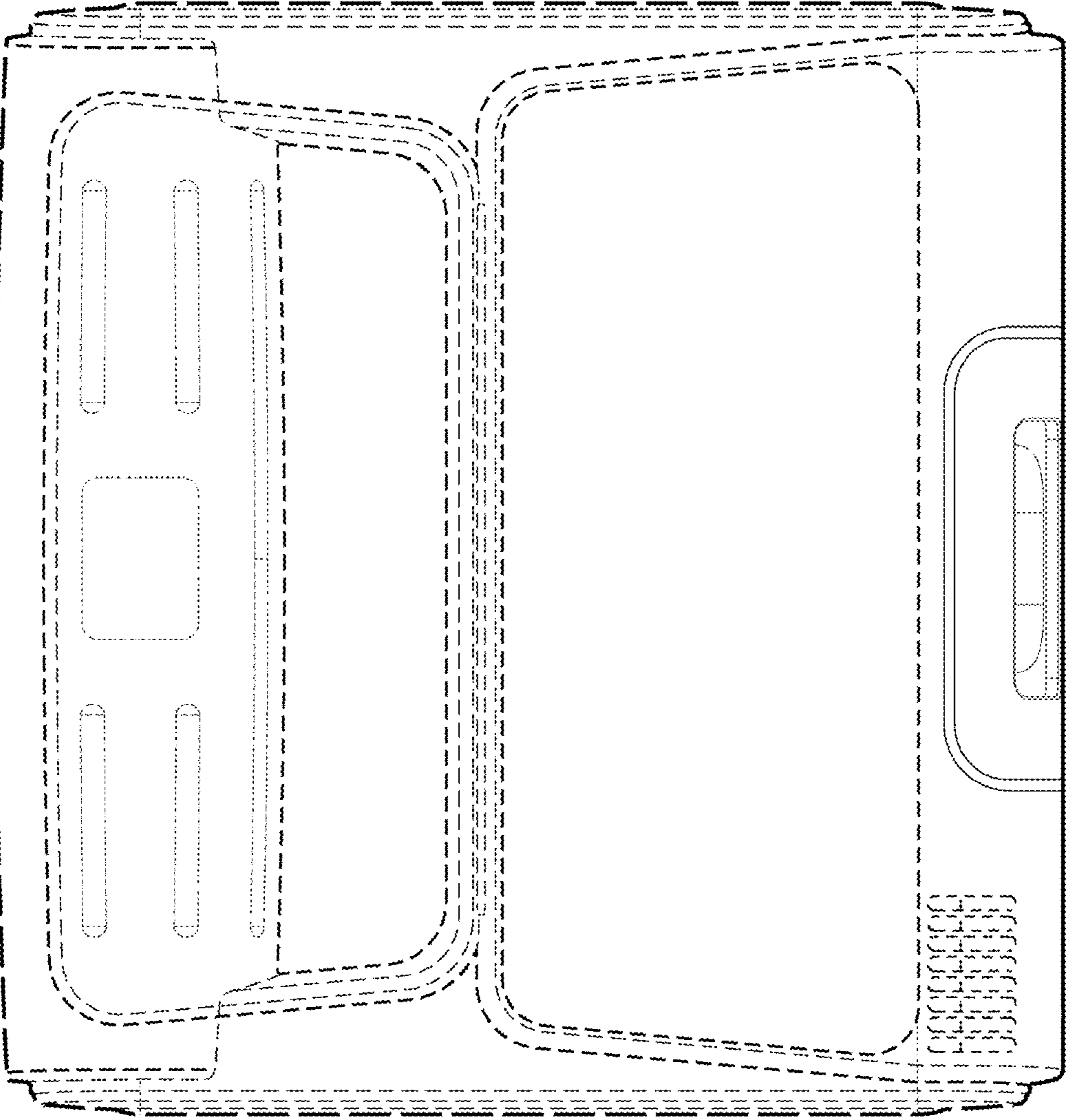


FIG. 1

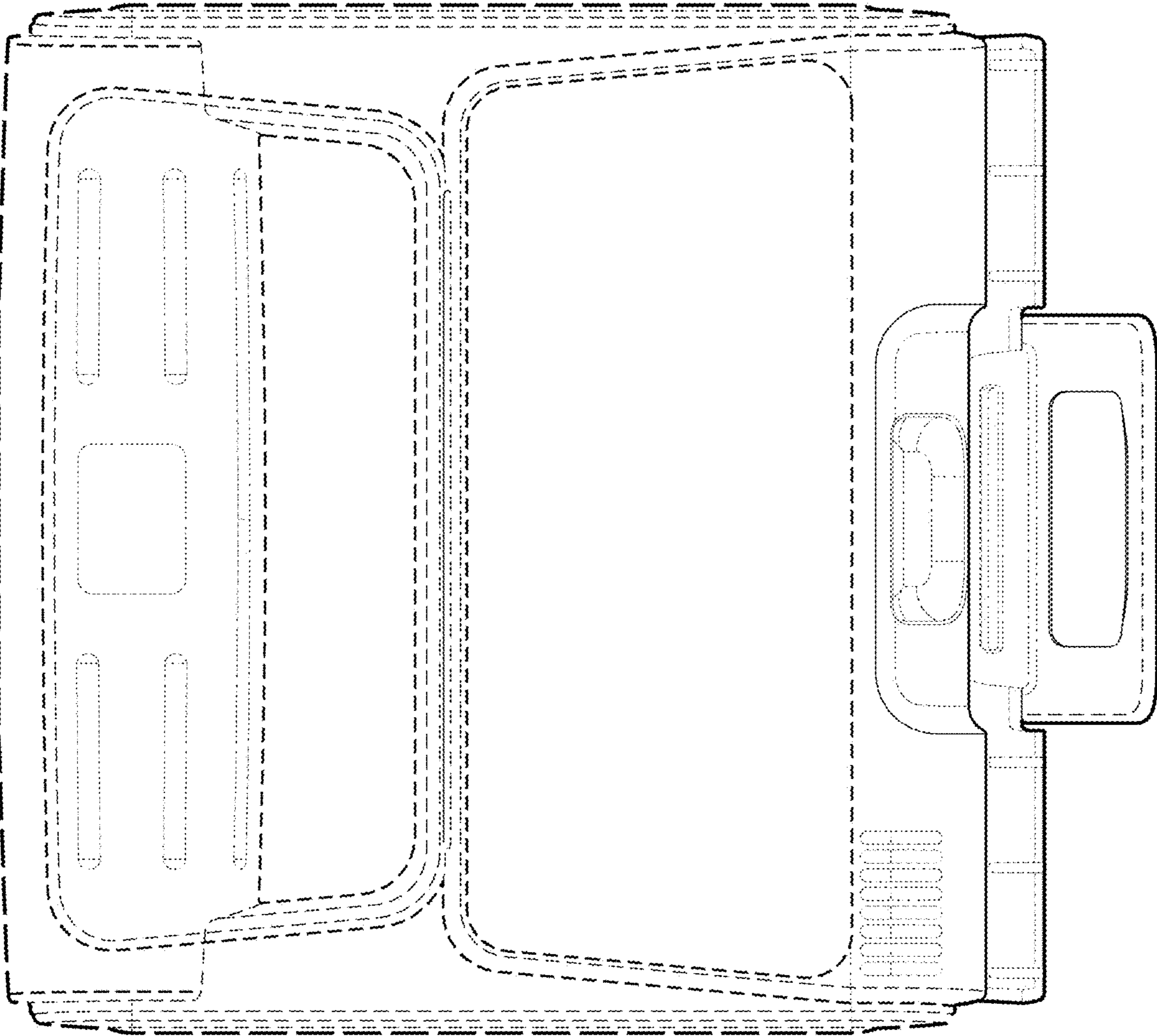


FIG. 2

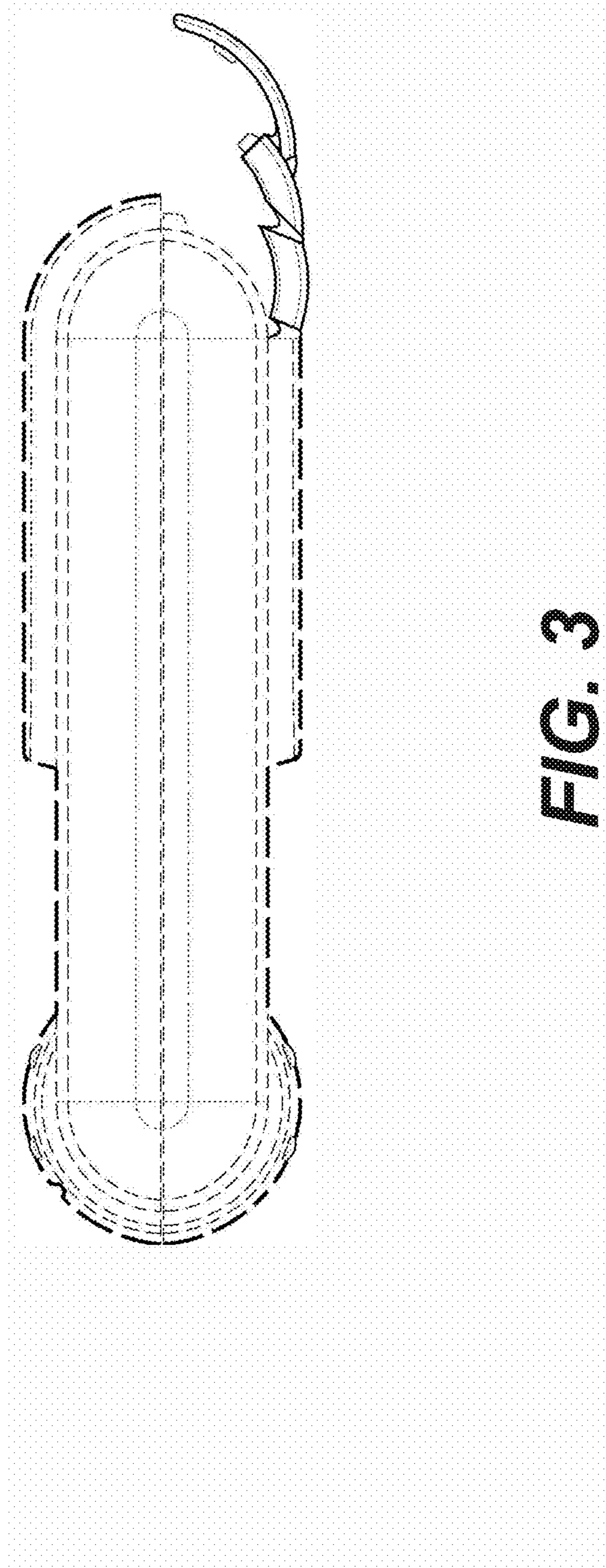


FIG. 3

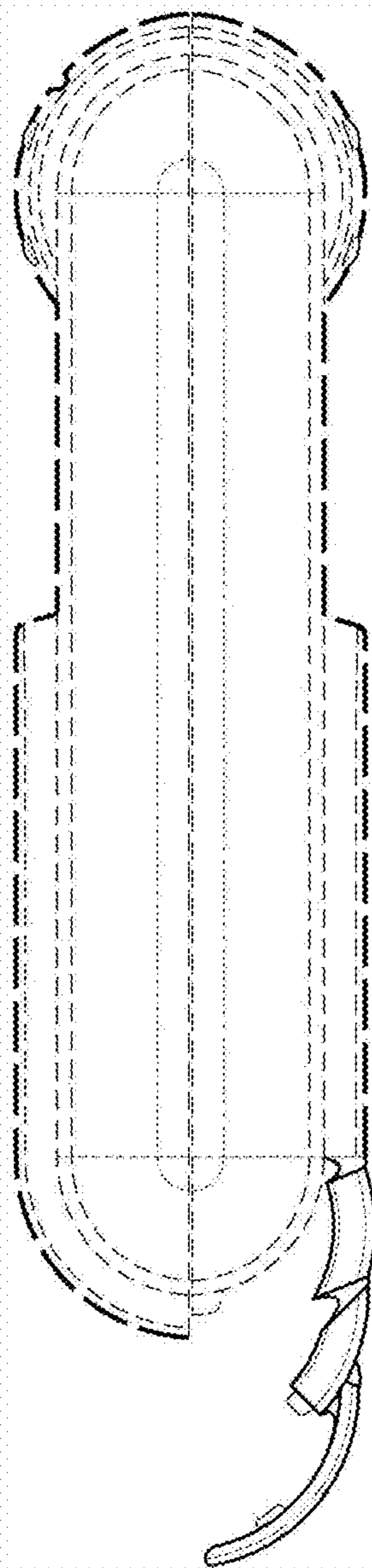


FIG. 4

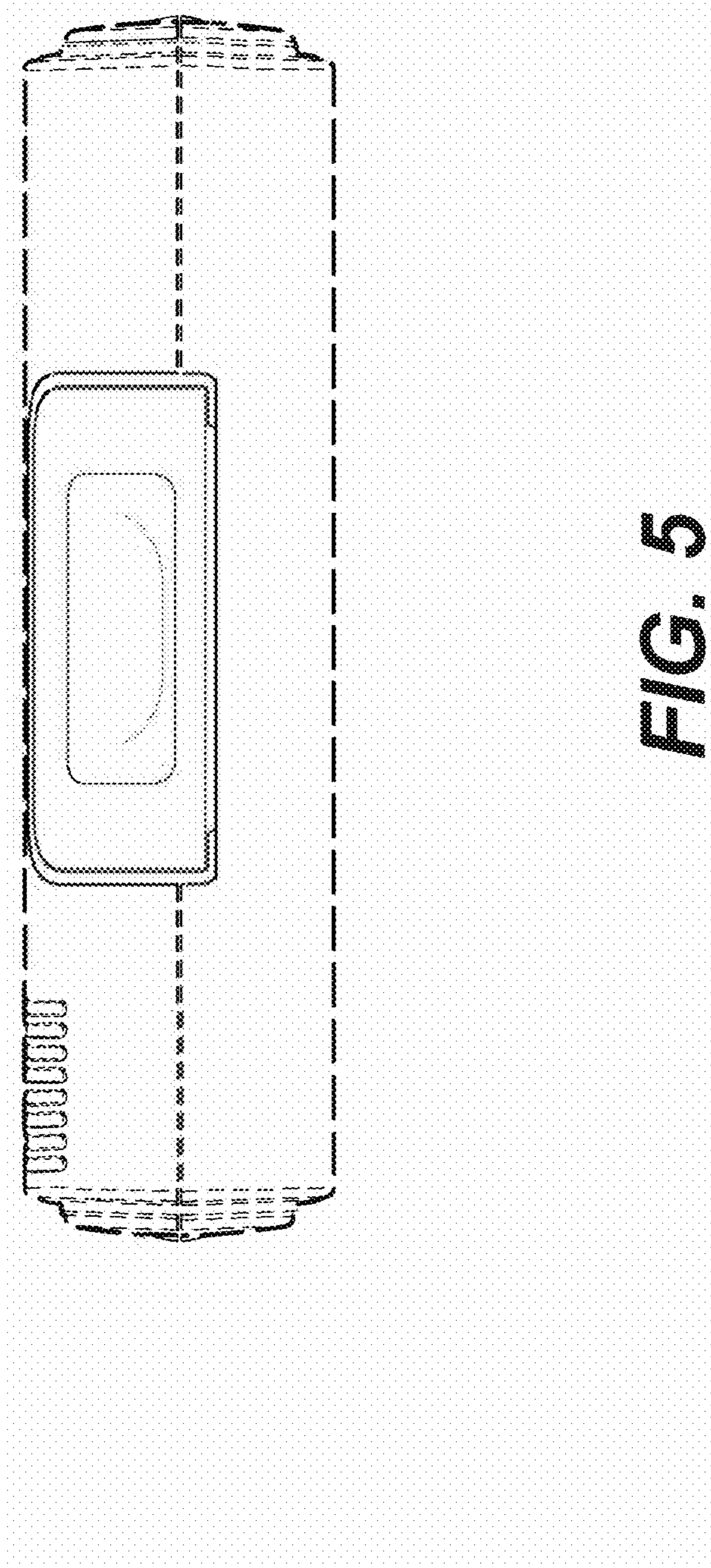


FIG. 5

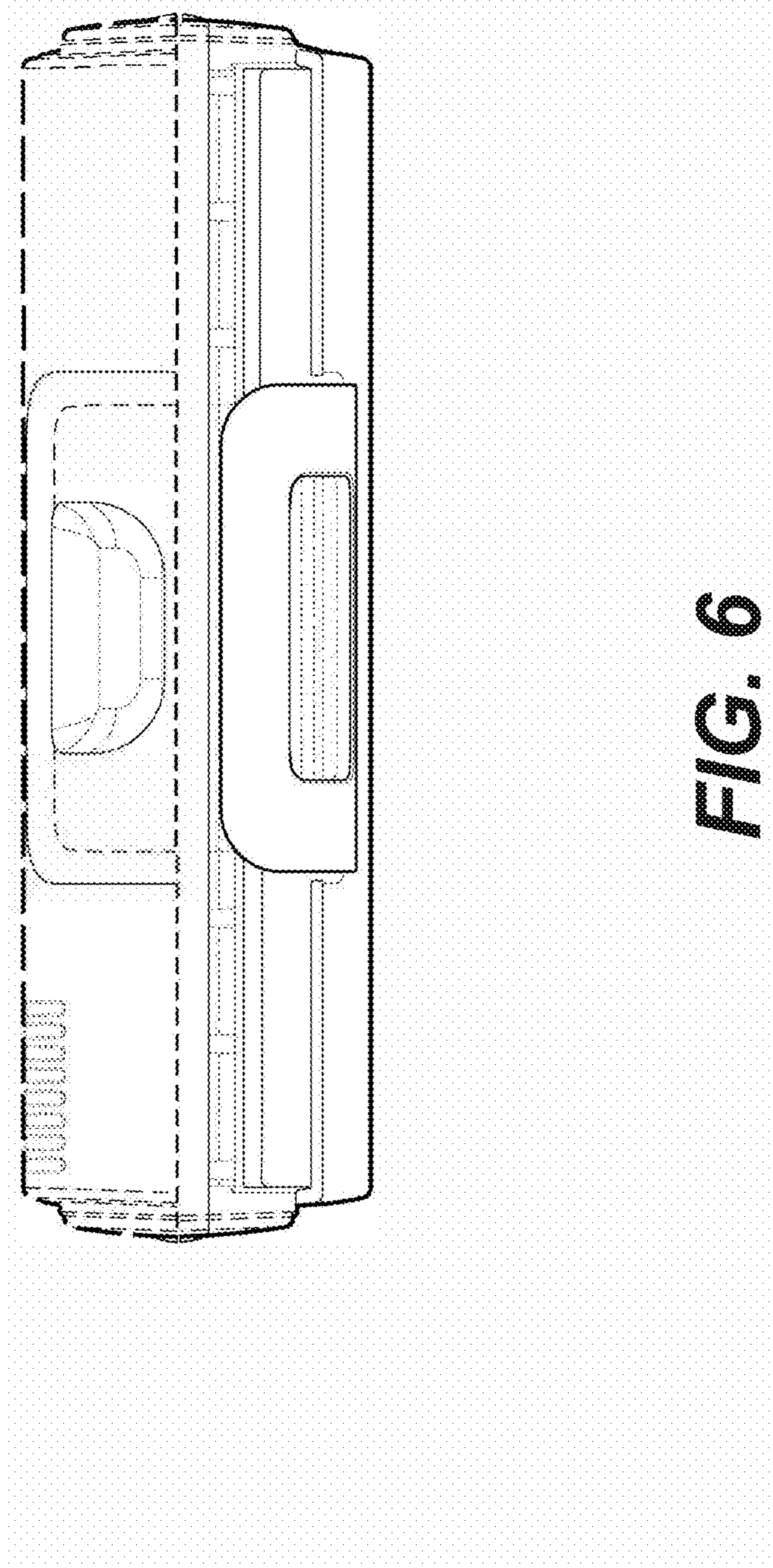


FIG. 6

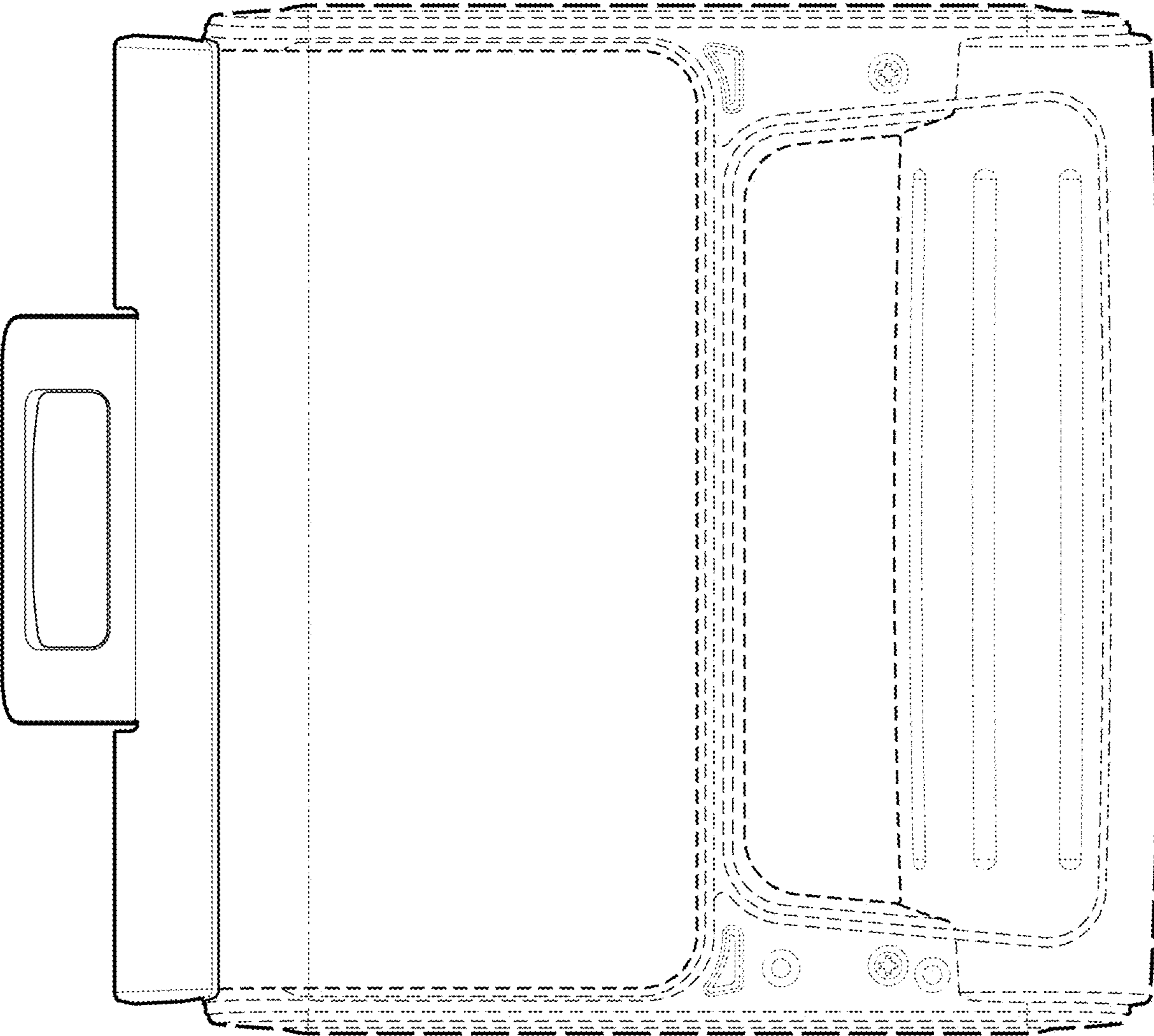


FIG. 7

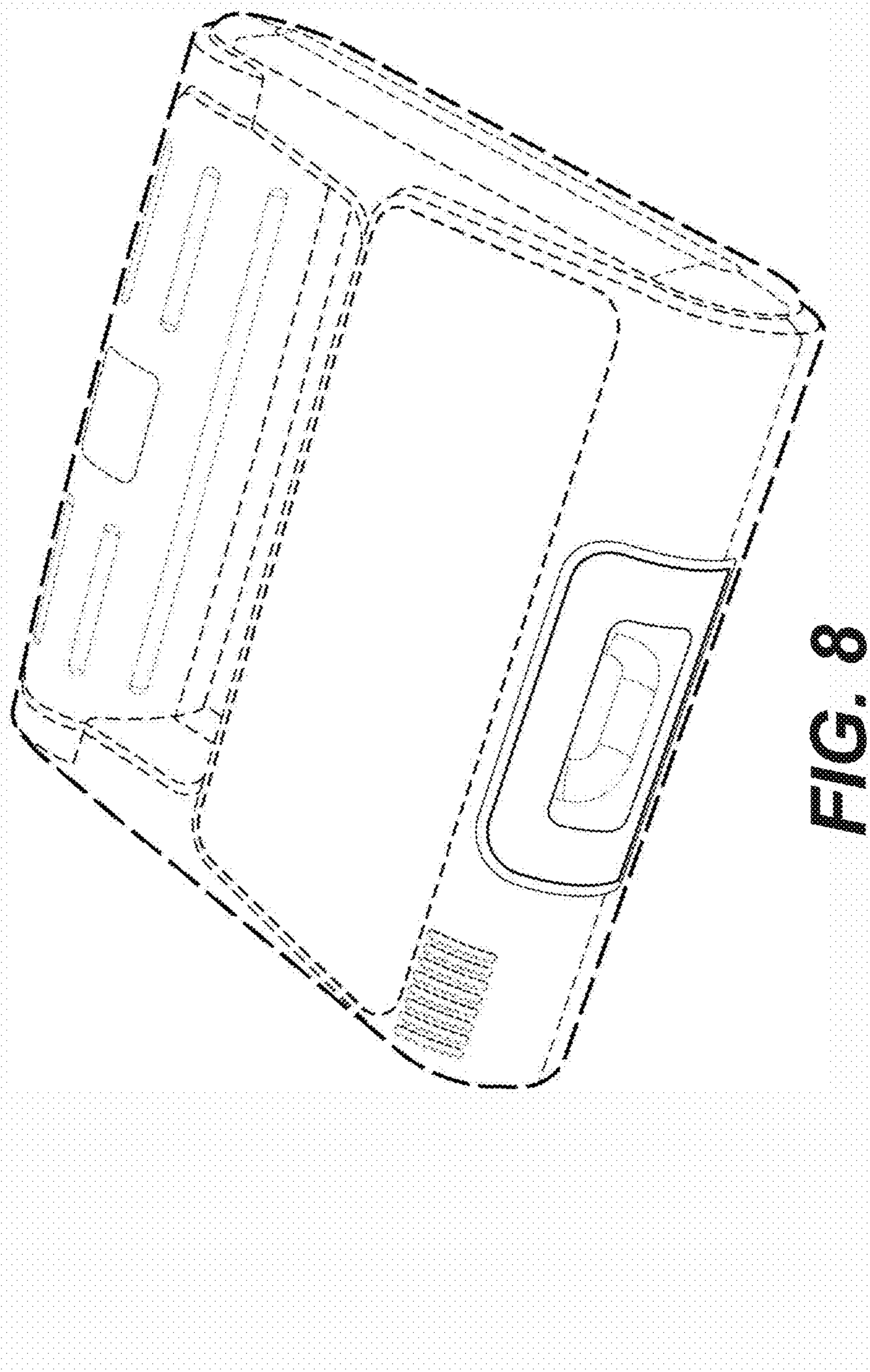


FIG. 8

