



US00D889115S

(12) **United States Design Patent** (10) **Patent No.:** **US D889,115 S**  
**Montague et al.** (45) **Date of Patent:** **\*\* Jul. 7, 2020**

(54) **AUTOMATED EXTERNAL DEFIBRILLATOR HANDLE**

D486,517 S \* 2/2004 Hendee ..... D19/26  
D552,348 S \* 10/2007 Martin ..... D3/265  
D574,615 S \* 8/2008 Picot ..... D3/289  
2007/0032830 A1 2/2007 Bowers  
2011/0190839 A1 8/2011 Vaisnys et al.  
(Continued)

(71) Applicant: **EIR, Inc.**, Denver, CO (US)

(72) Inventors: **Gary Montague**, Denver, CO (US);  
**Bartosz Korec**, Palm Harbor, FL (US);  
**Philip D'Almada Remedios**, Palm Harbor, FL (US)

(73) Assignee: **EIR, Inc.**, Denver, CO (US)

(\*\*) Term: **15 Years**

(21) Appl. No.: **29/661,187**

(22) Filed: **Aug. 24, 2018**

(51) **LOC (12) Cl.** ..... **03-01**

(52) **U.S. Cl.**  
USPC ..... **D3/203.1**

(58) **Field of Classification Search**  
USPC ..... D3/201, 203.1, 203.3, 203.6, 203.7, 216,  
D3/217, 267, 285, 287, 289, 301  
CPC .. A45C 3/08; A45C 3/06; A45C 13/08; A45C  
13/02; A45C 7/0086; A45C 3/00; A45C  
13/26; A45F 3/04; A45F 3/02  
See application file for complete search history.

(56) **References Cited**

**U.S. PATENT DOCUMENTS**

D294,776 S \* 3/1988 Gander ..... D3/282  
4,825,985 A \* 5/1989 Kim ..... A45C 3/00  
190/111  
5,394,964 A \* 3/1995 White ..... A45C 3/02  
190/1  
D383,303 S \* 9/1997 Murphy ..... D3/201  
6,267,238 B1 \* 7/2001 Miller ..... A45C 13/02  
206/349  
D447,631 S \* 9/2001 Hillman ..... D3/276  
D455,256 S \* 4/2002 Tyler ..... D3/219  
D486,516 S \* 2/2004 Hendee ..... B42D 3/04  
D19/26

**OTHER PUBLICATIONS**

PCT Patent Application PCT/US2017/067442 International Search Report and Written Opinion dated Apr. 19, 2018.  
(Continued)

*Primary Examiner* — Mark A Goodwin  
*Assistant Examiner* — Benjamin M Weeks  
(74) *Attorney, Agent, or Firm* — Erise IP, P.A.

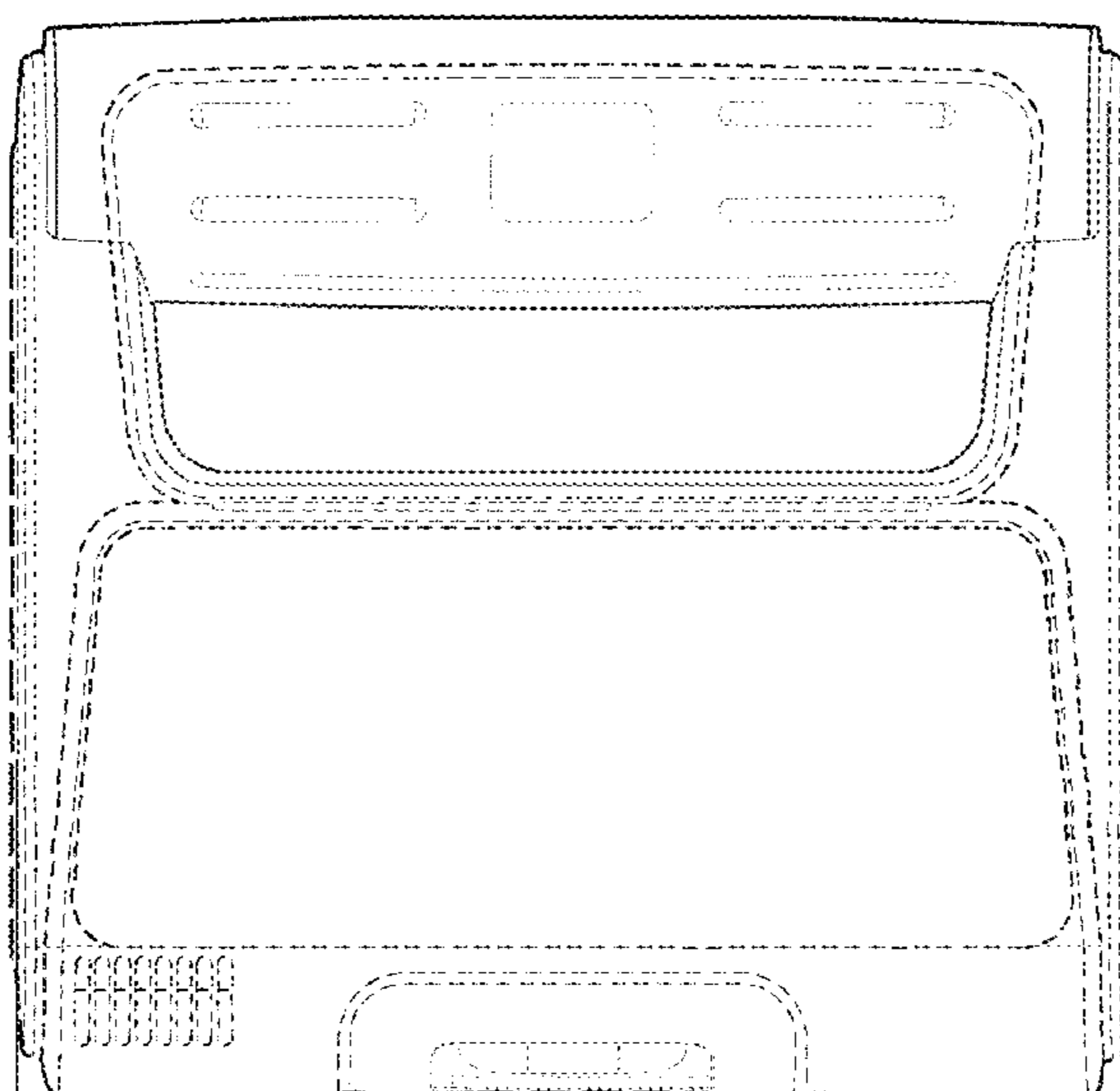
(57) **CLAIM**

The ornamental design for an automated external defibrillator handle, as shown and described.

**DESCRIPTION**

FIG. 1 is a top view of an automated external defibrillator handle from above;  
FIG. 2 is a side view of the automated external defibrillator handle from a first side;  
FIG. 3 is a side view of the automated external defibrillator handle from a second side, opposite the first side;  
FIG. 4 is a bottom view of the automated external defibrillator handle from below;  
FIG. 5 is a rear view of the automated external defibrillator handle;  
FIG. 6 is a front perspective view of the automated external defibrillator handle from above; and,  
FIG. 7 is a rear perspective view of the automated external defibrillator handle from above.  
The broken lines represent portions of the automated external defibrillator handle that form no part of the claimed design.

**1 Claim, 7 Drawing Sheets**



(56)

**References Cited**

U.S. PATENT DOCUMENTS

2011/0224745 A1 9/2011 Magruder  
2013/0012151 A1 1/2013 Hankins  
2013/0132465 A1 5/2013 Brown  
2014/0004814 A1 1/2014 Elghazzawi  
2014/0277227 A1 9/2014 Petersen et al.  
2016/0220833 A1 8/2016 Qing et al.

OTHER PUBLICATIONS

Automated External Defibrillators—New AEDs-AED.com, [www.aed.com/new-aeds.html](http://www.aed.com/new-aeds.html). Retrieved Sep. 14, 2018.

How Corpuls Works, Always Very Close to the User, <https://corpuls.world/>, Copyright 2017, Retrieved Sep. 14, 2018.

Heartsmart.com, Defibtech Lifeline AED, [www.heartsmart.com/defibtech-lifeline-aed-defibrillator-p/dcf-100.htm](http://www.heartsmart.com/defibtech-lifeline-aed-defibrillator-p/dcf-100.htm), Copyright 2015, Retrieved Sep. 14, 2018.

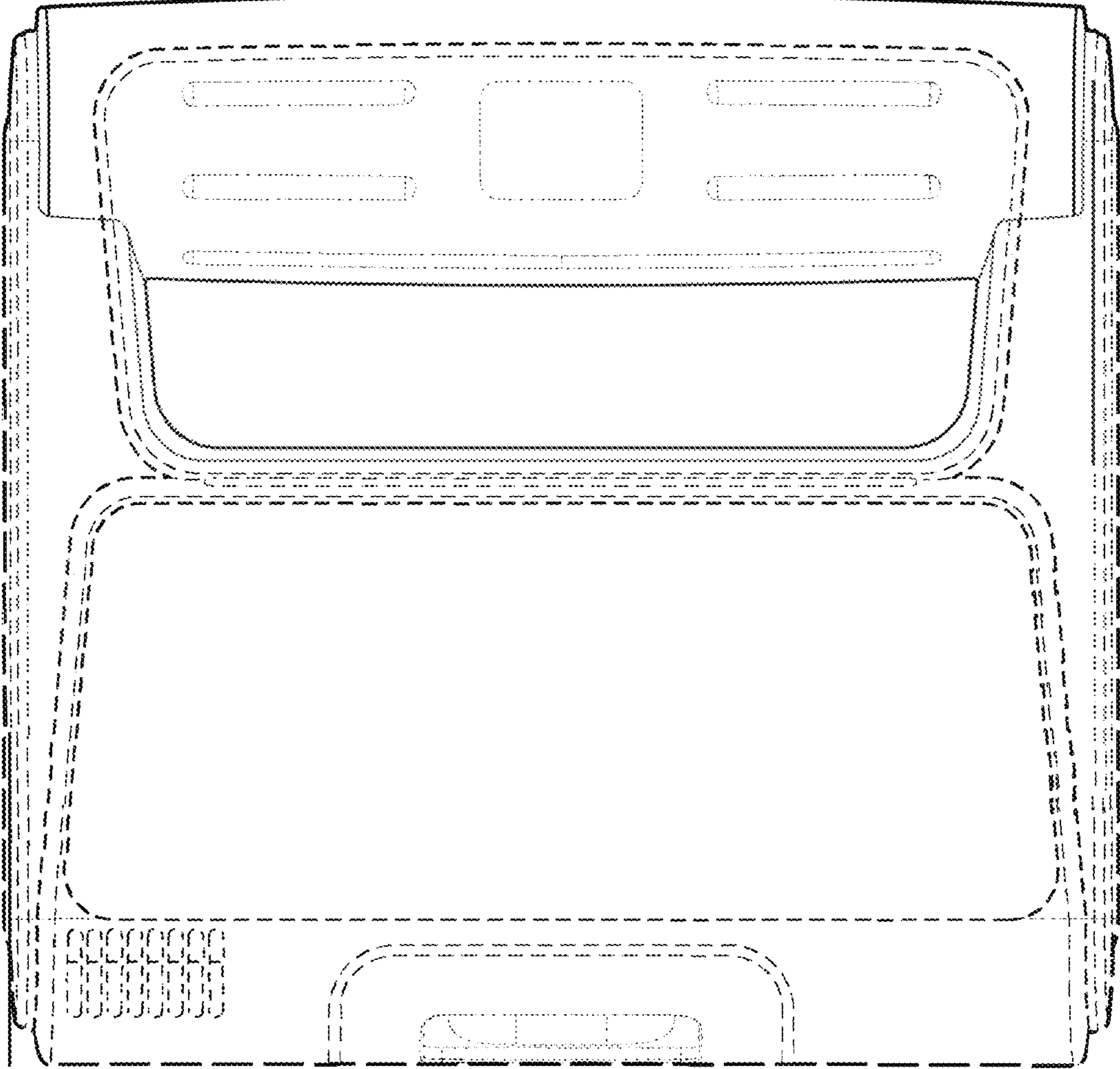
Schiller The Art of Diagnostics, The World's First Pocket Defibrillator Fred Easyport, [www.schiller.ch/ca/us/product/fred-easyport](http://www.schiller.ch/ca/us/product/fred-easyport), Retrieved Sep. 14, 2018.

Phillips, HeartStart FRx Automated External Defibrillator, [www.usa.philips.com/healthcare/product/HC861304/heartstart-frx-automated-external-defibrillator](http://www.usa.philips.com/healthcare/product/HC861304/heartstart-frx-automated-external-defibrillator), Copyright 2004-2018, Retrieved Sep. 14, 2018.

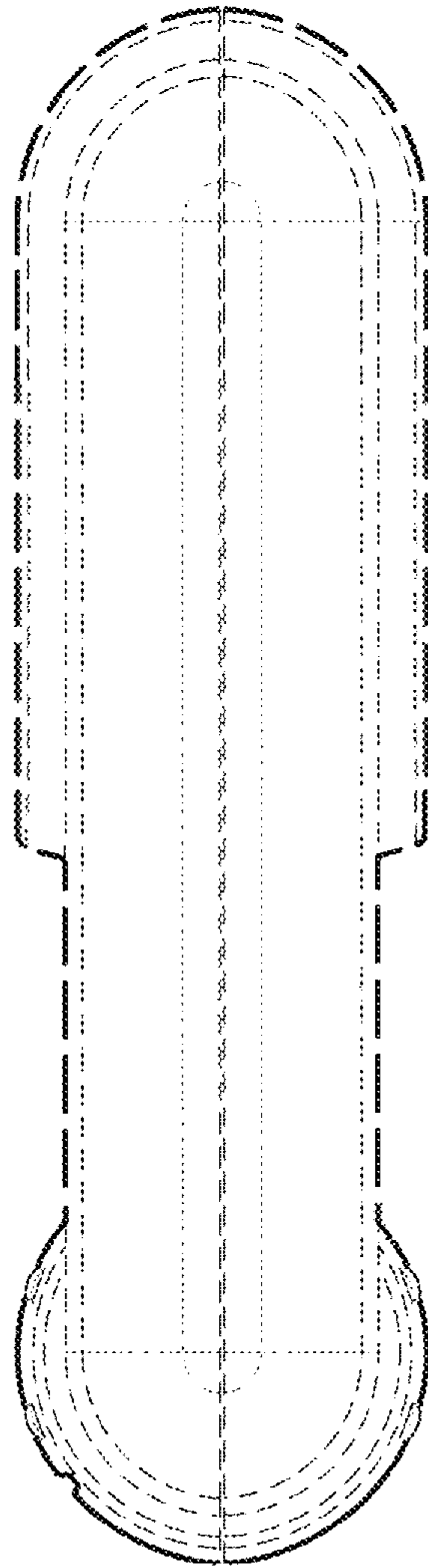
Phillips, HeartStart OnSite AED, Product No. M5066A, [www.usa.philips.com/healthcare/product/HCM5066A/heartstart-onsite-aed](http://www.usa.philips.com/healthcare/product/HCM5066A/heartstart-onsite-aed), Copyright 2004-2018, Retrieved Sep. 14, 2018.

Physio Control, Product Overview, [www.physio-control.com/ProductsPrehospital.aspx](http://www.physio-control.com/ProductsPrehospital.aspx), Copyright 2018, Retrieved Sep. 14, 2018.

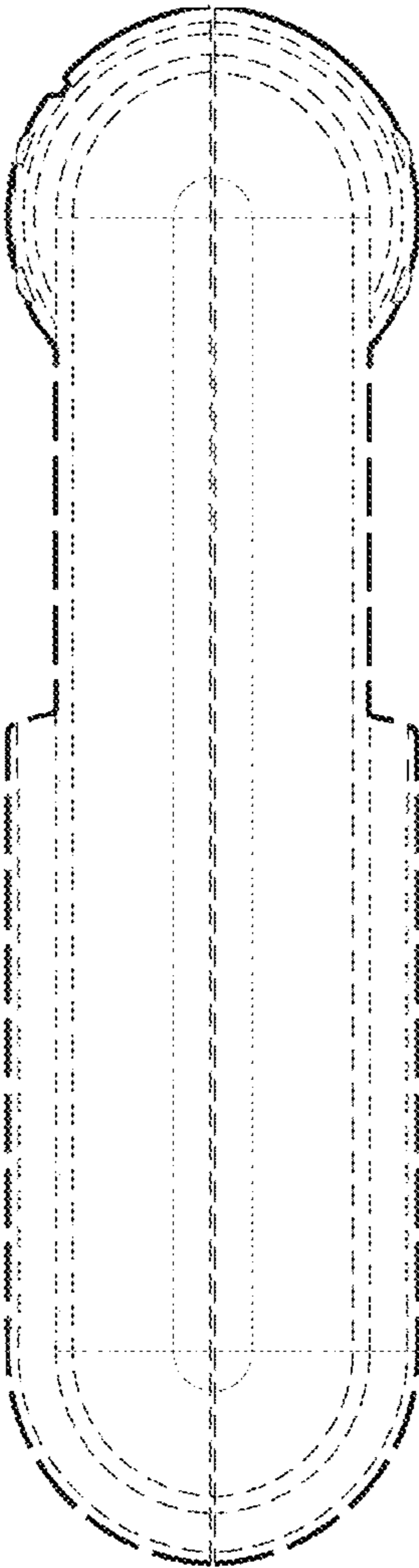
\* cited by examiner



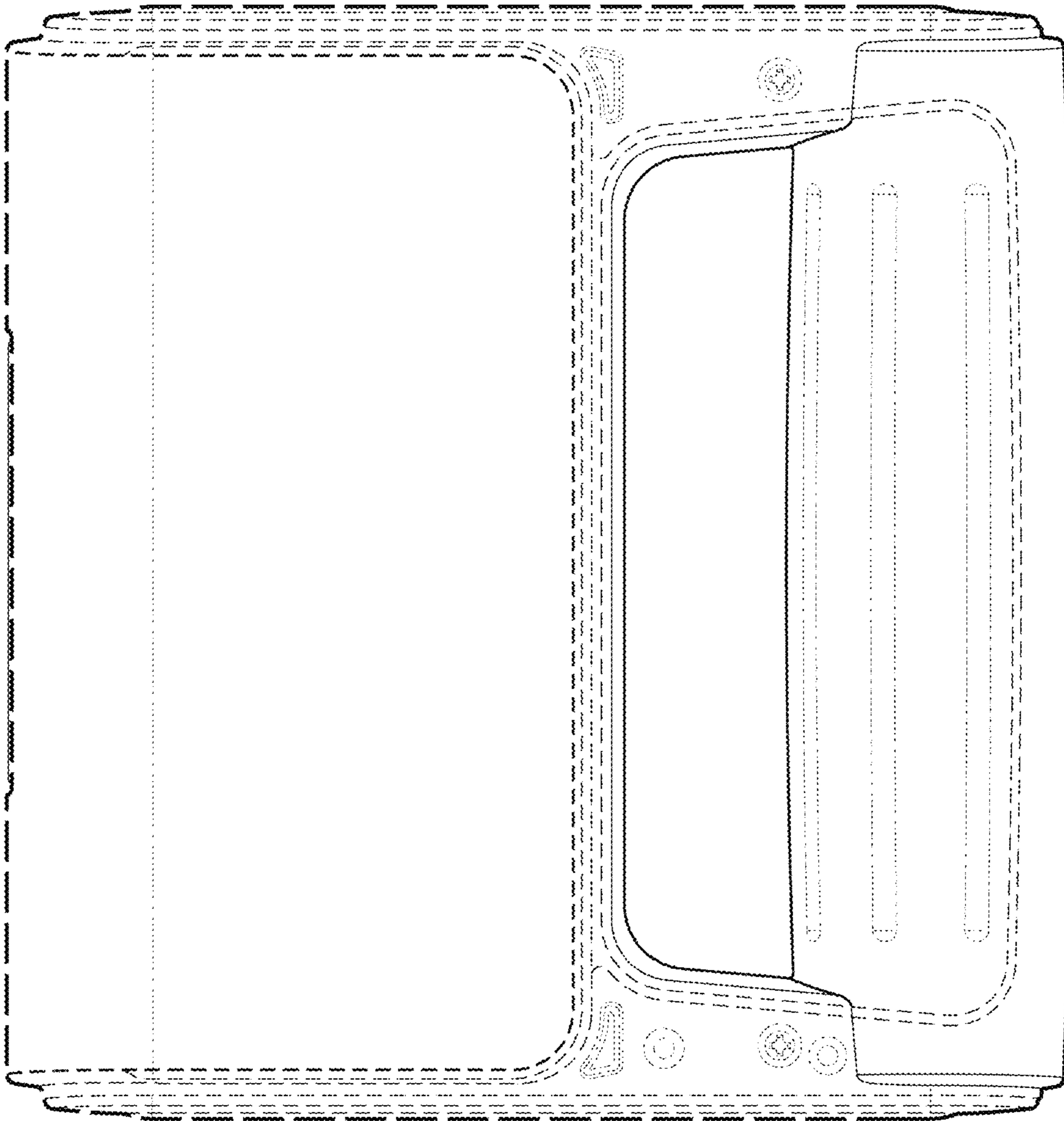
**FIG. 1**



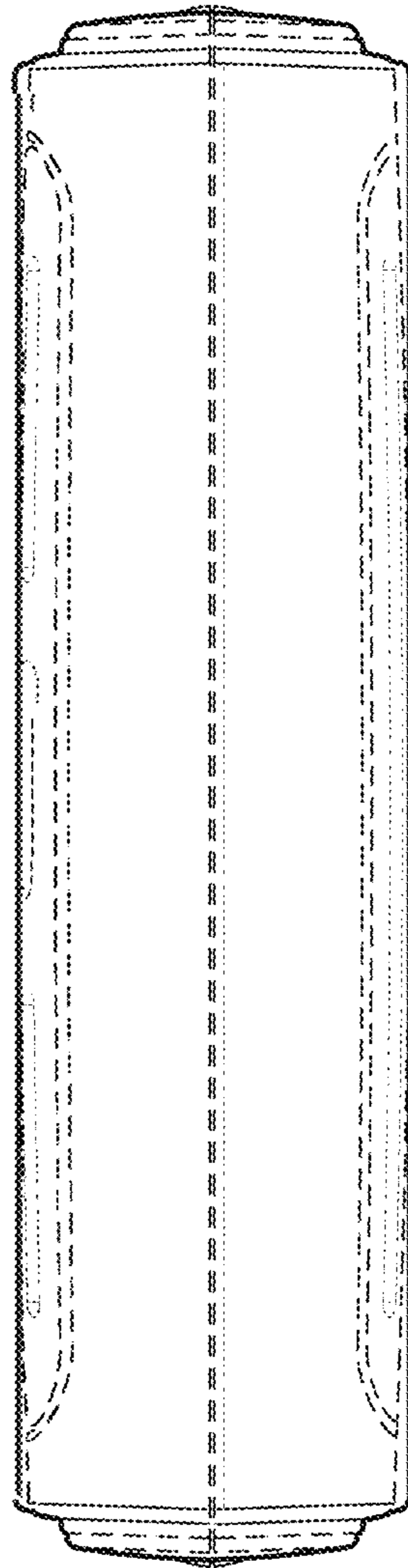
**FIG. 2**



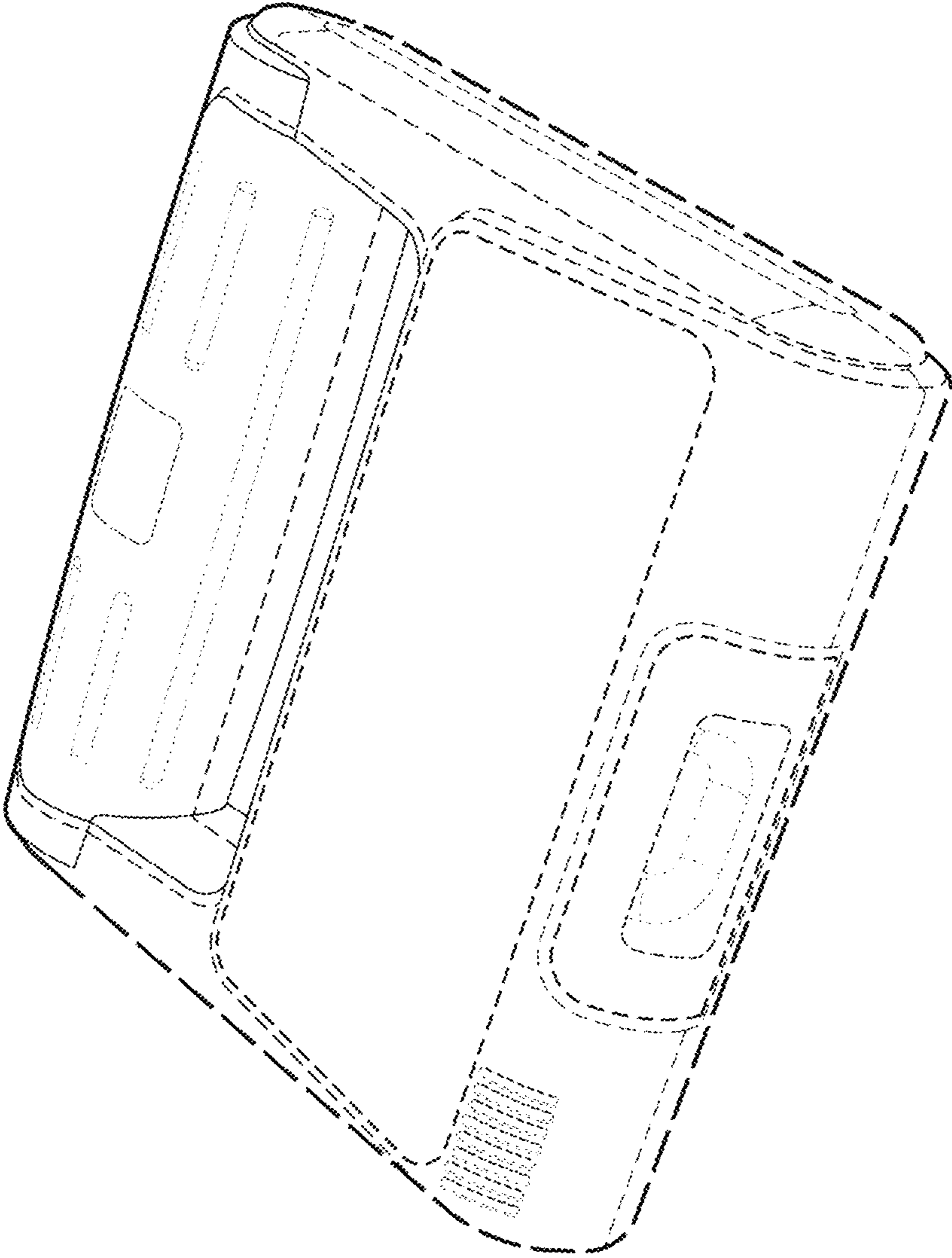
**FIG. 3**



**FIG. 4**

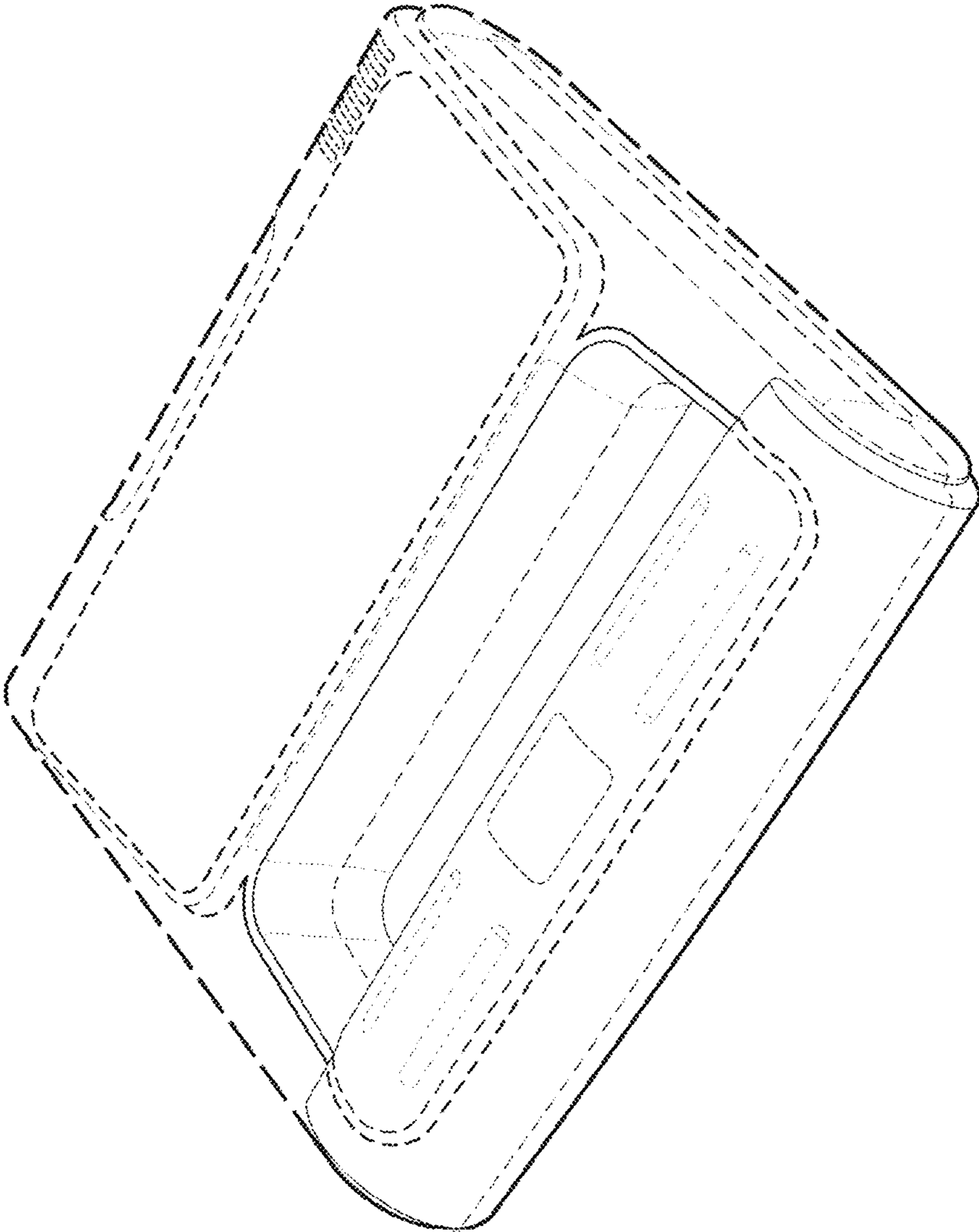


**FIG. 5**



**FIG. 6**





**FIG. 7**