



US00D889112S

(12) **United States Design Patent** (10) **Patent No.:** **US D889,112 S**
Bloom (45) **Date of Patent:** **** Jul. 7, 2020**

(54) **TOTE WITH FINGERPRINT LOCK**

FOREIGN PATENT DOCUMENTS

(71) Applicant: **Rachel Bloom**, Kettering, OH (US)

CN 101354798 A 1/2009
CN 201806072 U 4/2011

(72) Inventor: **Rachel Bloom**, Kettering, OH (US)

(Continued)

(**) Term: **15 Years**

Primary Examiner — Holly E Thurman

(21) Appl. No.: **29/670,071**

(74) *Attorney, Agent, or Firm* — Thomas E. Lees, LLC

(22) Filed: **Nov. 13, 2018**

(57) **CLAIM**

The ornamental design for a tote with fingerprint lock, as shown and described.

Related U.S. Application Data

DESCRIPTION

(63) Continuation-in-part of application No. 29/665,248, filed on Oct. 1, 2018.

FIG. 1 is a front view of a tote with fingerprint lock showing my new design;

(51) **LOC (12) Cl.** **03-01**

FIG. 2 is a back view of a tote with fingerprint lock showing my new design;

(52) **U.S. Cl.**

FIG. 3 is a left side elevation end view of a tote with fingerprint lock showing my new design;

USPC **D3/201**

FIG. 4 is a right side of a tote with fingerprint lock showing my new design;

(58) **Field of Classification Search**

USPC D3/201, 207, 208, 215, 226, 228, 229, D3/230, 269, 273, 290, 299, 303, 304, D3/316, 318; D9/702, 703, 705, 707, D9/709, 710

FIG. 5 is a top view of a tote with fingerprint lock showing my new design;

CPC B65D 83/384; F41H 9/10
See application file for complete search history.

FIG. 6 is a bottom view of a tote with fingerprint lock showing my new design;

(56) **References Cited**

U.S. PATENT DOCUMENTS

2,822,013 A * 2/1958 Renz A45C 11/24
190/126

FIG. 7 is a front view of a tote with fingerprint lock showing my new design;

D285,868 S * 9/1986 Davis D3/289

FIG. 8 is a back view of a tote with fingerprint lock showing my new design;

4,913,283 A * 4/1990 Stuhn A45C 3/00
190/124

FIG. 9 is a left side elevation end view of a tote with fingerprint lock showing my new design;

5,138,468 A 8/1992 Baebanell

FIG. 10 is a right side of a tote with fingerprint lock showing my new design;

5,963,657 A 10/1999 Bowker et al.

FIG. 11 is a top view of a tote with fingerprint lock showing my new design; and,

D422,411 S * 4/2000 Martin D3/201

FIG. 12 is a bottom view of a tote with fingerprint lock showing my new design.

6,374,652 B1 4/2002 Hwang

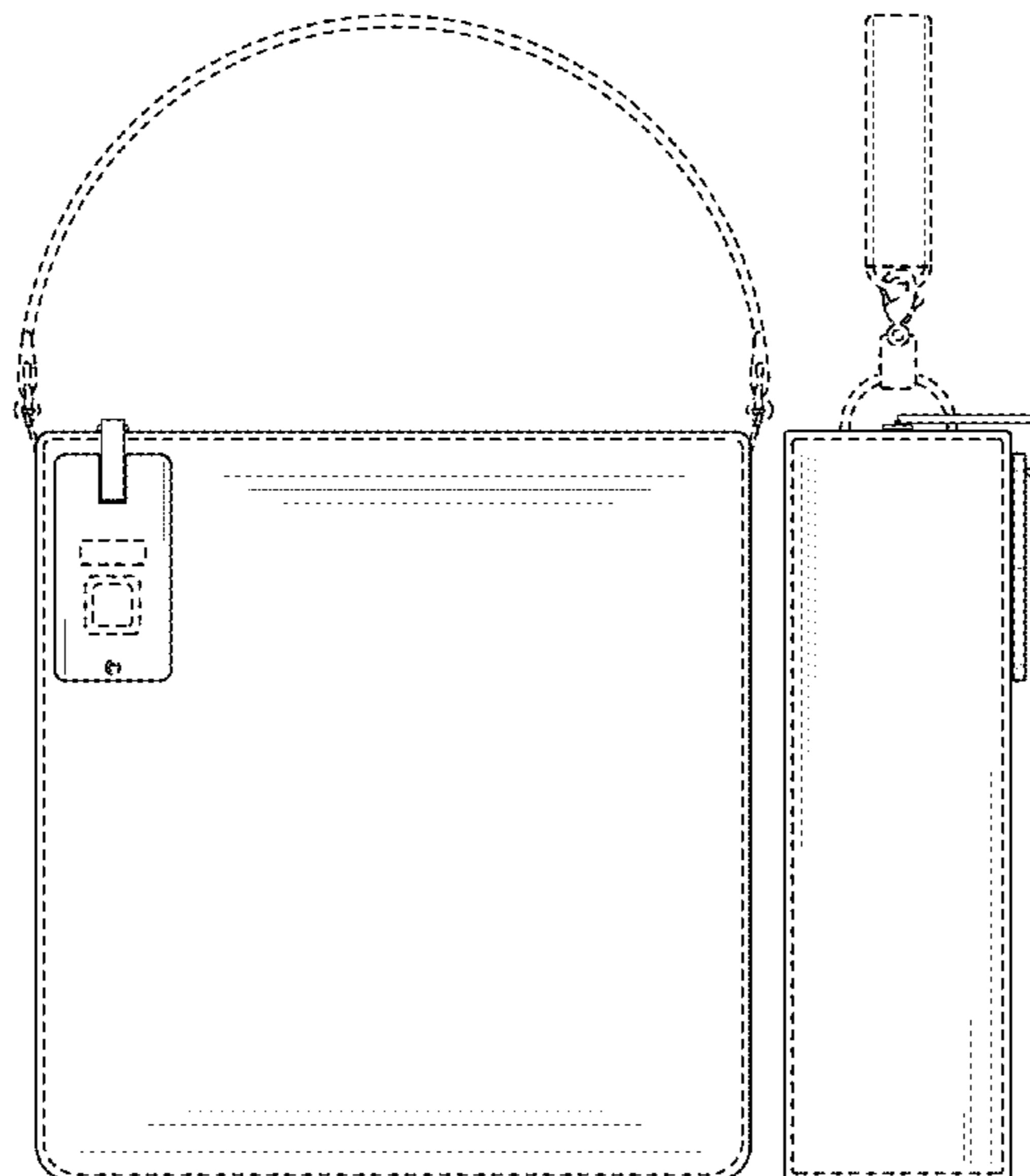
The broken lines shown in the drawings do not form part of the claimed design.

6,401,501 B1 6/2002 Kajuch et al.

D492,485 S * 7/2004 Domotor D3/276

(Continued)

1 Claim, 10 Drawing Sheets



(56)

References Cited

U.S. PATENT DOCUMENTS

6,865,913	B2	3/2005	Yamagishi	
6,980,672	B2	12/2005	Saito et al.	
7,043,060	B2	5/2006	Quintana	
D576,403	S *	9/2008	Leslie	D3/201
D651,393	S *	1/2012	Coleman	D3/203.6
D844,323	S *	4/2019	Shuai	D3/274
D853,717	S *	7/2019	Shuai	D3/232
2002/0034321	A1	3/2002	Saito	
2004/0025550	A1	2/2004	Yamagashi	
2004/0255623	A1	12/2004	Sun et al.	
2008/0012686	A1	1/2008	Bonestroo	
2009/0226050	A1	9/2009	Hughes	
2016/0360351	A1	12/2016	Cabouli	
2017/0198497	A1	6/2017	Tsai	

FOREIGN PATENT DOCUMENTS

CN	102783781	11/2012
CN	106917550	7/2017
GB	2458889	7/2009
GB	2547913 A	6/2017
GB	2531937	11/2017
WO	WO2007101292	9/2007
WO	WO2015121630	8/2015

* cited by examiner

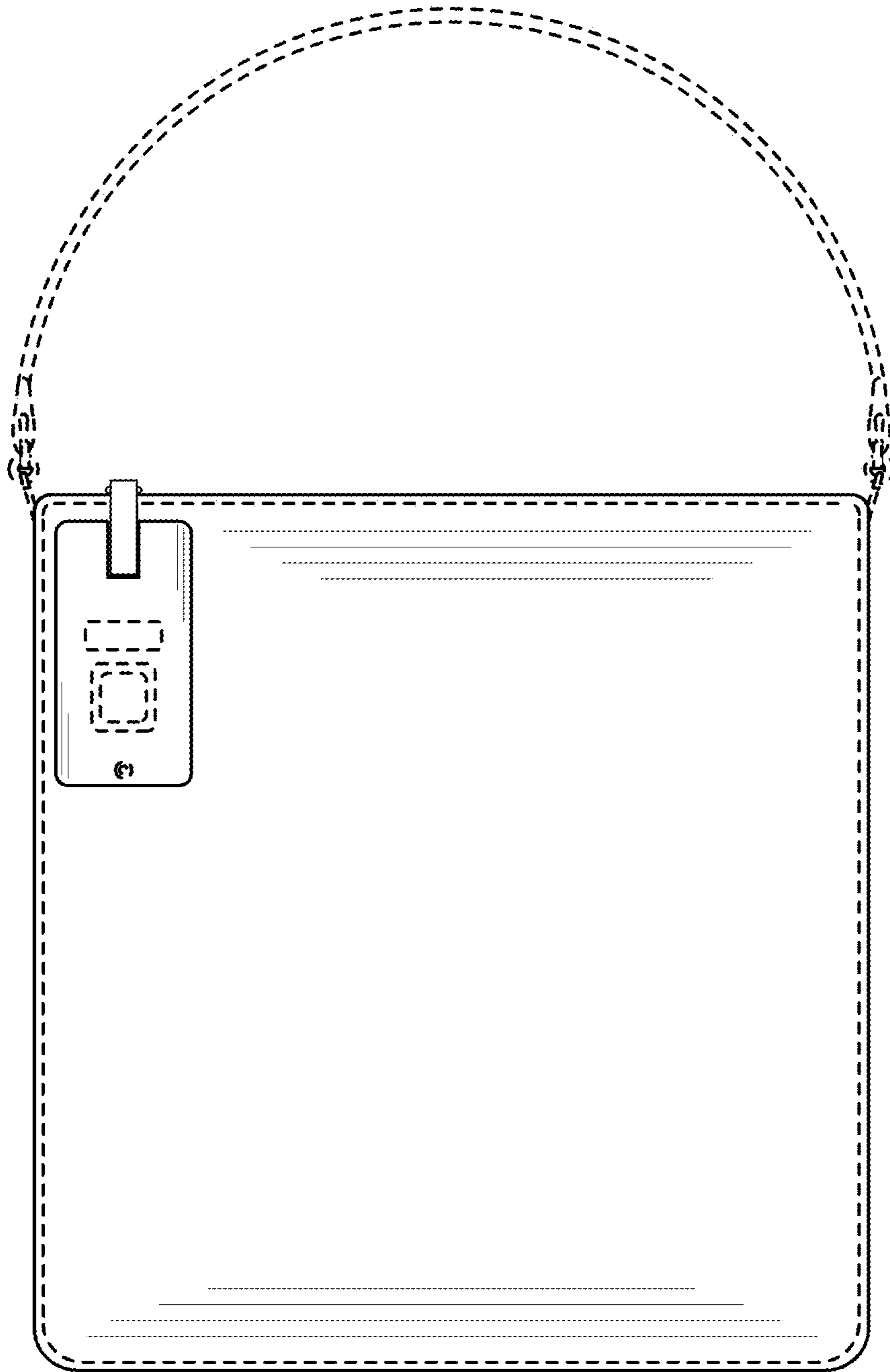


FIG. 1

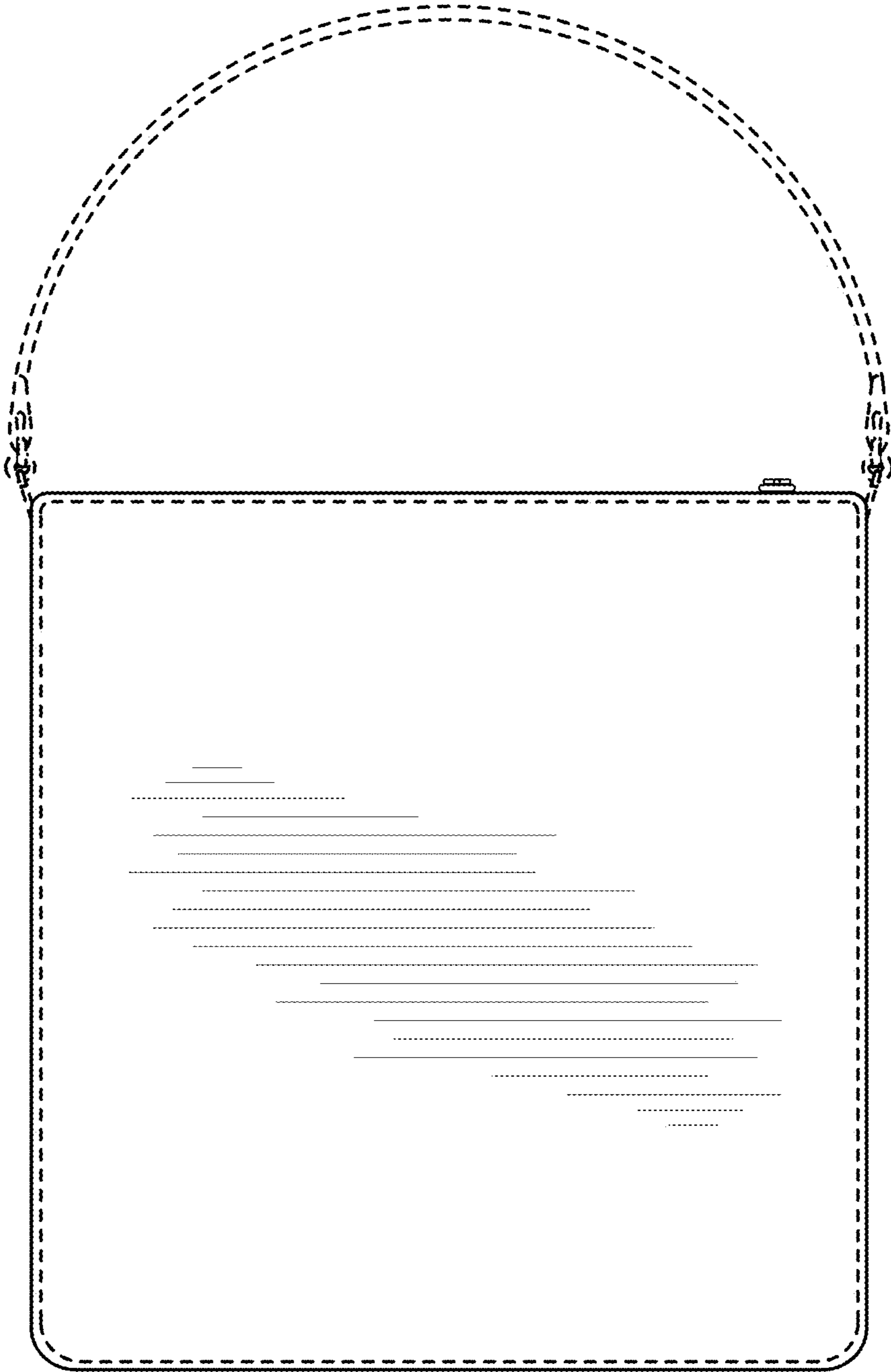


FIG. 2

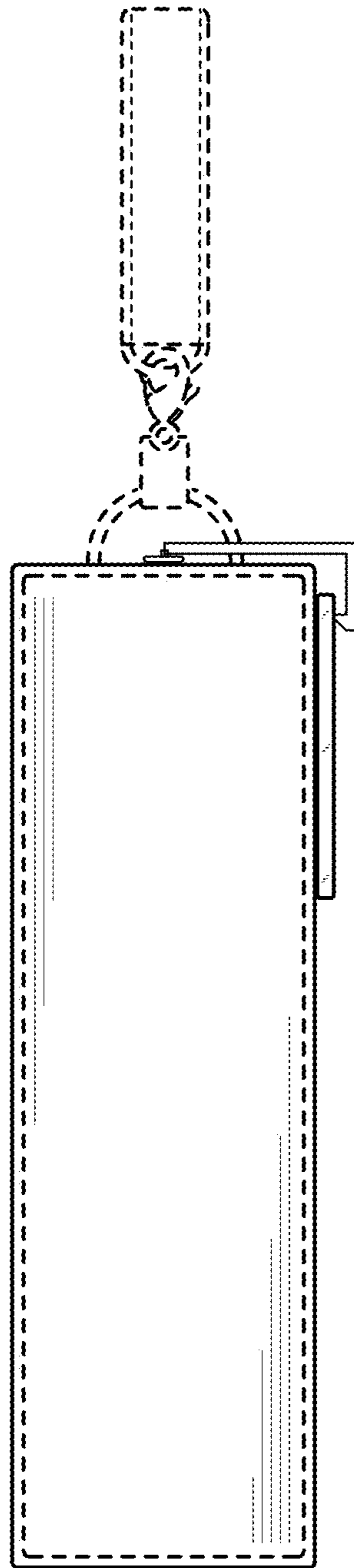


FIG. 3

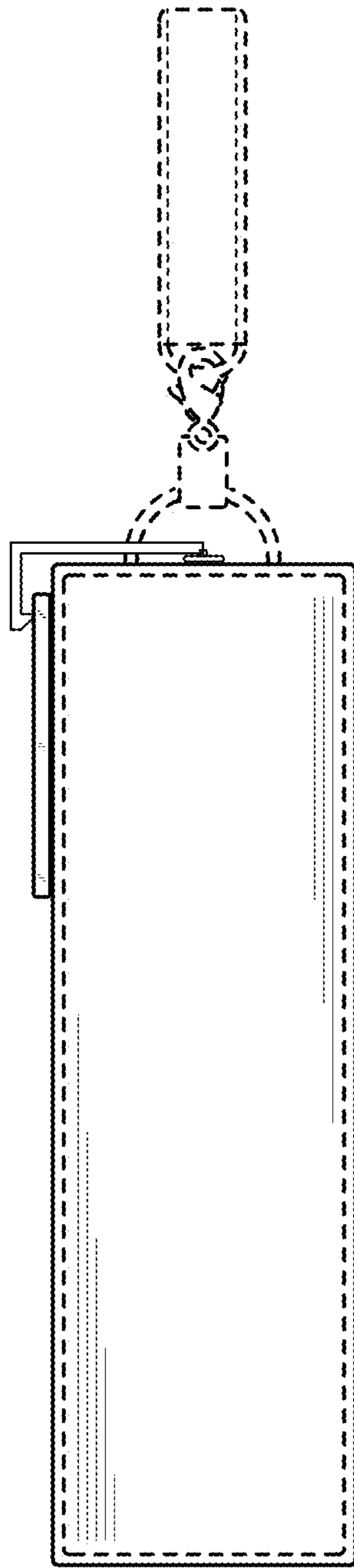


FIG. 4

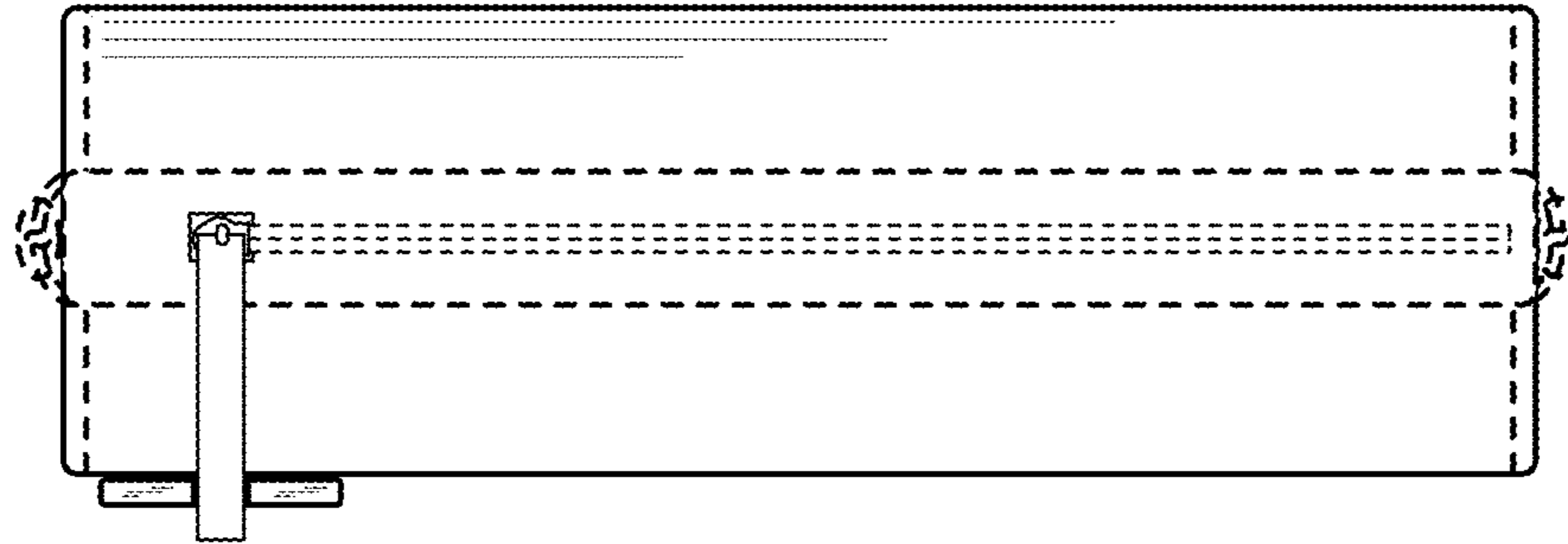


FIG. 5

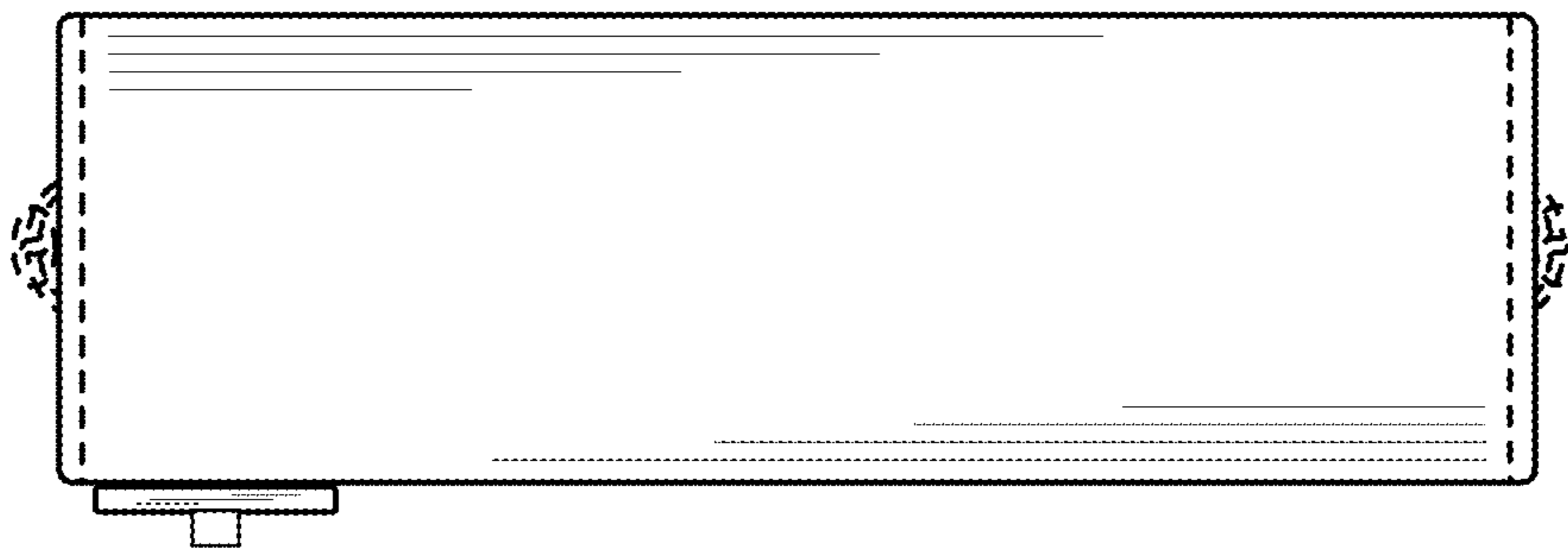


FIG. 6

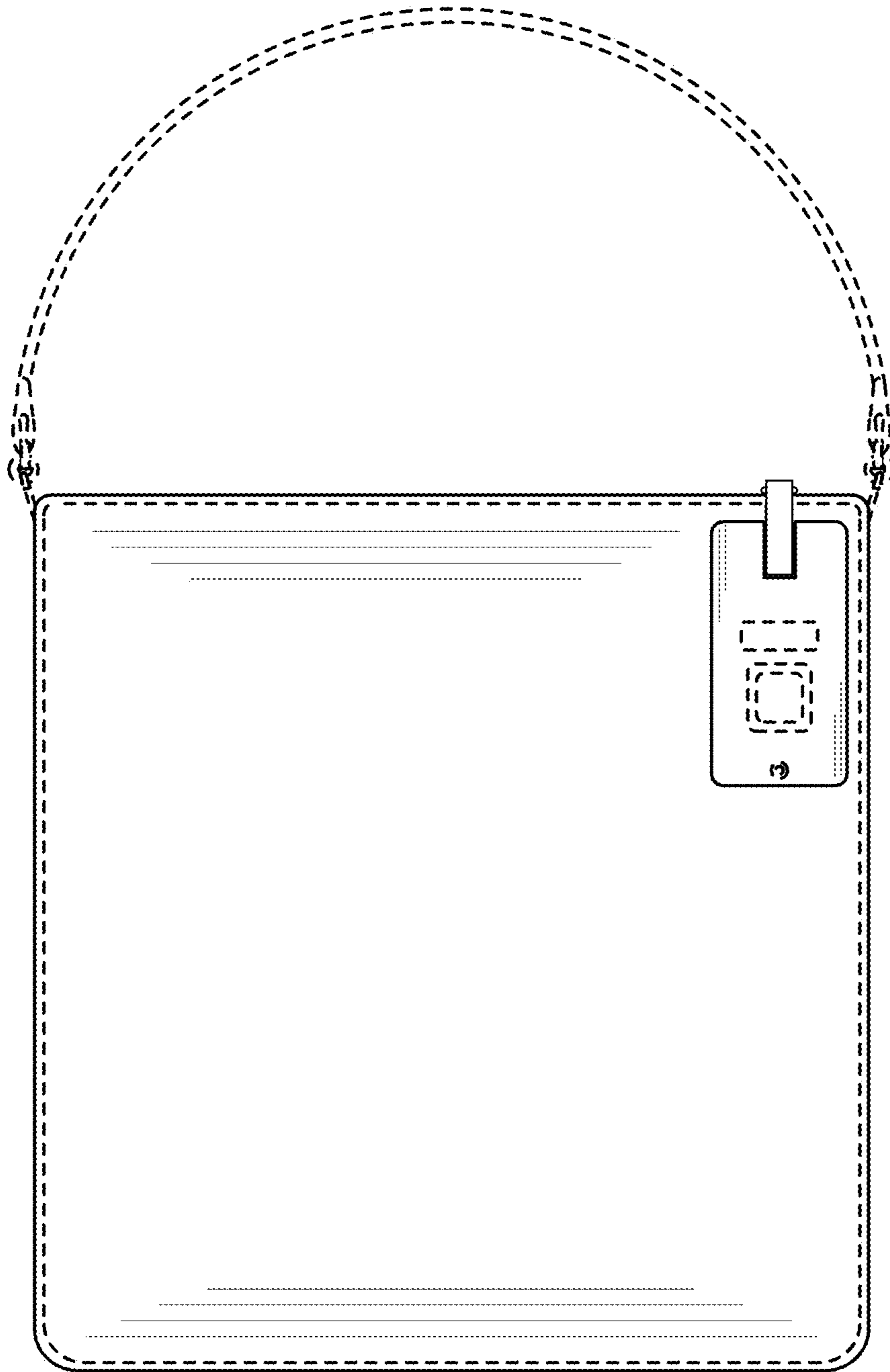


FIG. 7

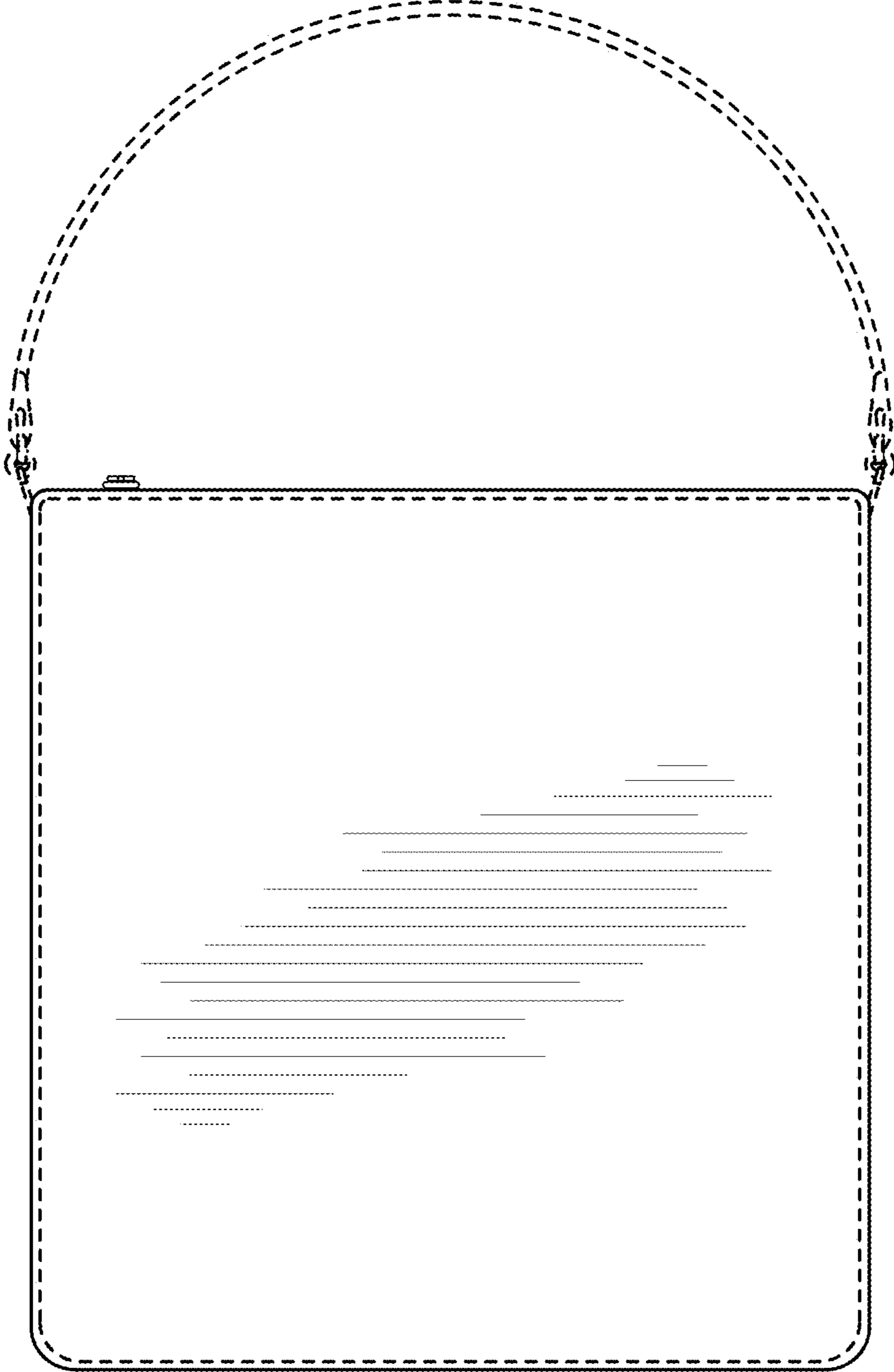


FIG. 8

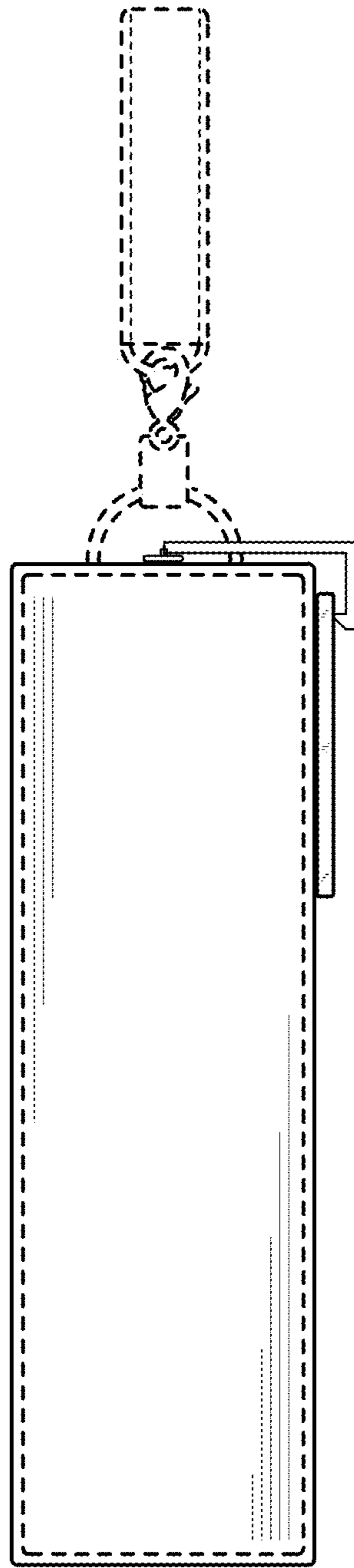


FIG. 9

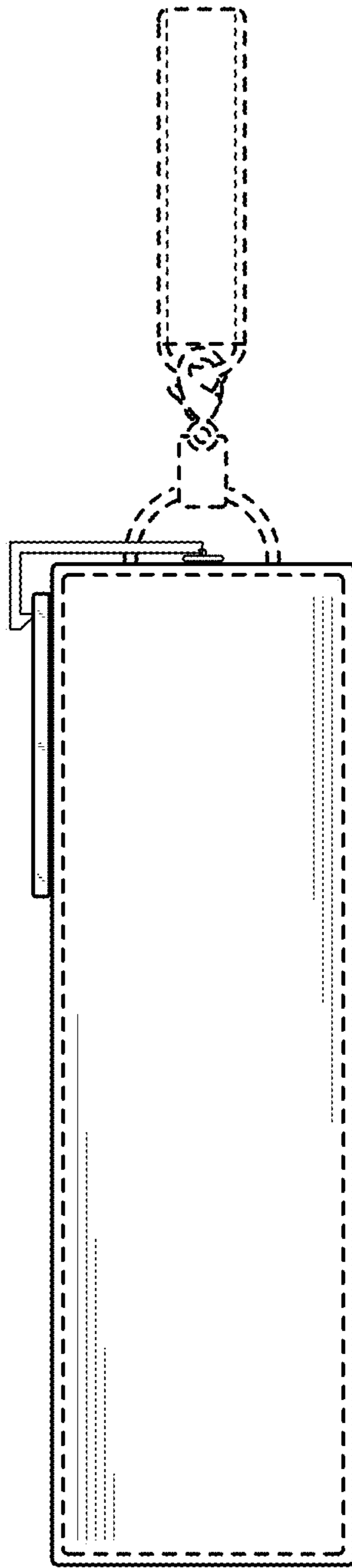


FIG. 10

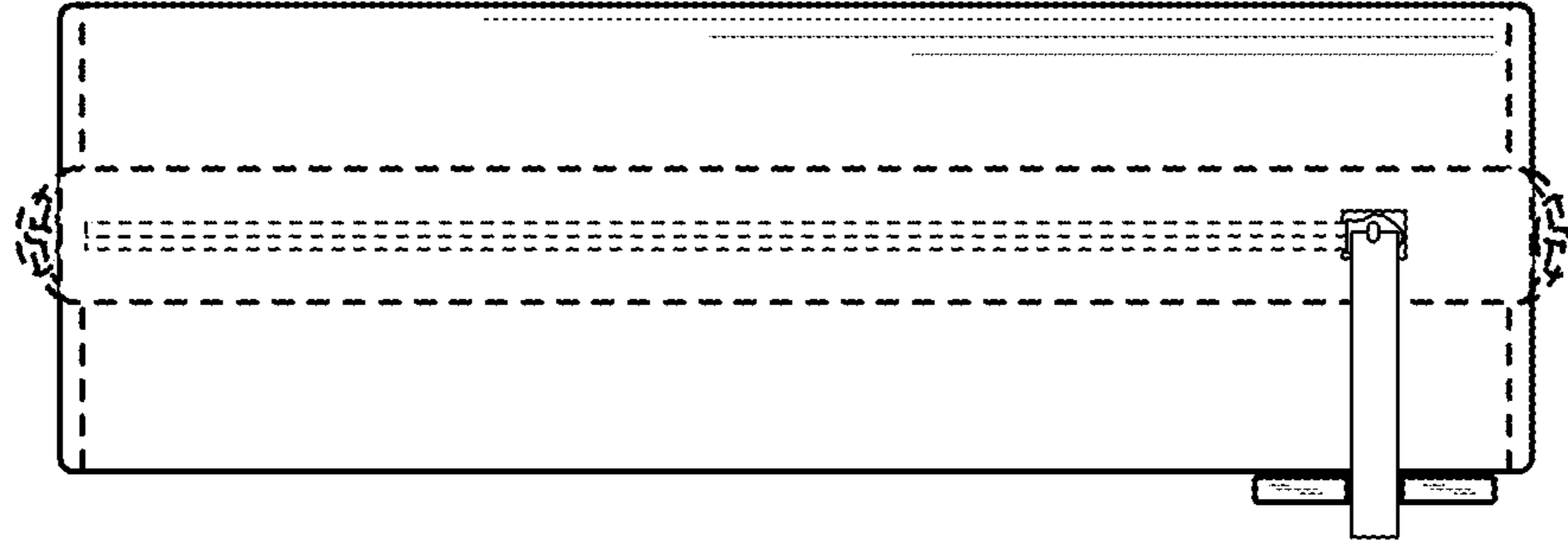


FIG. 11

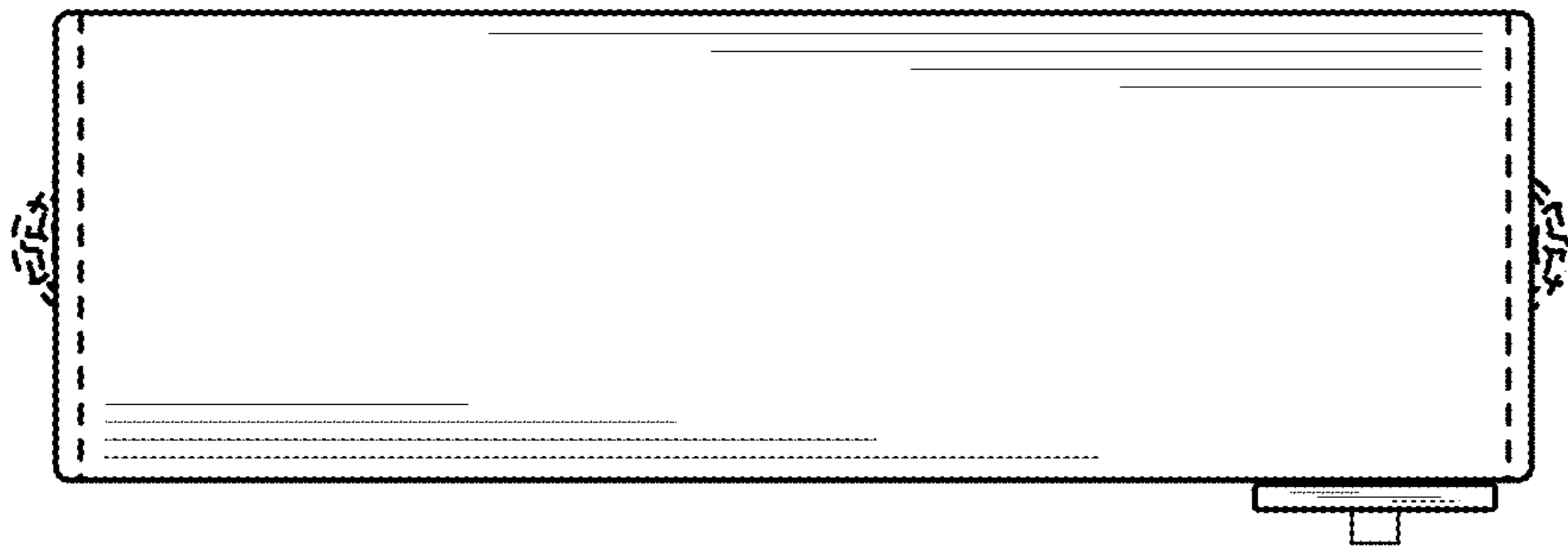


FIG. 12