



US00D889111S

(12) **United States Design Patent**
Chaklos et al.

(10) **Patent No.:** **US D889,111 S**
(45) **Date of Patent:** **** Jul. 7, 2020**

- (54) **UMBRELLA BASE**
- (71) Applicants: **Mike Chaklos**, Rancho Santa Margarita, CA (US); **Paul Chaklos**, Rancho Santa Margarita, CA (US)
- (72) Inventors: **Mike Chaklos**, Rancho Santa Margarita, CA (US); **Paul Chaklos**, Rancho Santa Margarita, CA (US)
- (**) Term: **15 Years**
- (21) Appl. No.: **29/655,493**
- (22) Filed: **Jul. 3, 2018**
- (51) **LOC (12) Cl.** **03-03**
- (52) **U.S. Cl.**
USPC **D3/10**
- (58) **Field of Classification Search**
USPC D3/5, 6, 10, 11, 13
CPC A45B 11/00; A45B 15/00; A45B 17/00;
A45B 19/00; A45B 23/00; A45B 2023/0006; A45B 2023/0012; A45B 25/00; A45B 2025/003; A45B 2200/10; A45B 2200/1009; A45B 2200/1054
See application file for complete search history.

- 5,524,855 A * 6/1996 Lesar E04H 12/2215
135/16
- 5,636,944 A * 6/1997 Buttimore E04H 12/2246
248/530
- D394,544 S * 5/1998 Tropiano D3/10
- D402,803 S * 12/1998 Goldberg D3/12
- 5,899,571 A * 5/1999 Chalk A45B 3/00
135/16
- D416,401 S * 11/1999 Taylor D3/10
- D454,682 S * 3/2002 D'Andrea D3/10
- D456,131 S * 4/2002 Dotson, Jr. D3/10
- D518,286 S * 4/2006 Santos D3/17
- D593,315 S * 6/2009 Zemel D21/840
- D609,494 S * 2/2010 Jenkins, Sr. D3/10
- D621,149 S * 8/2010 Brady D3/10

(Continued)

Primary Examiner — Steven J Czyz

(74) Attorney, Agent, or Firm — Clement Cheng

(57) **CLAIM**

The ornamental design for an umbrella base, as shown and described.

DESCRIPTION

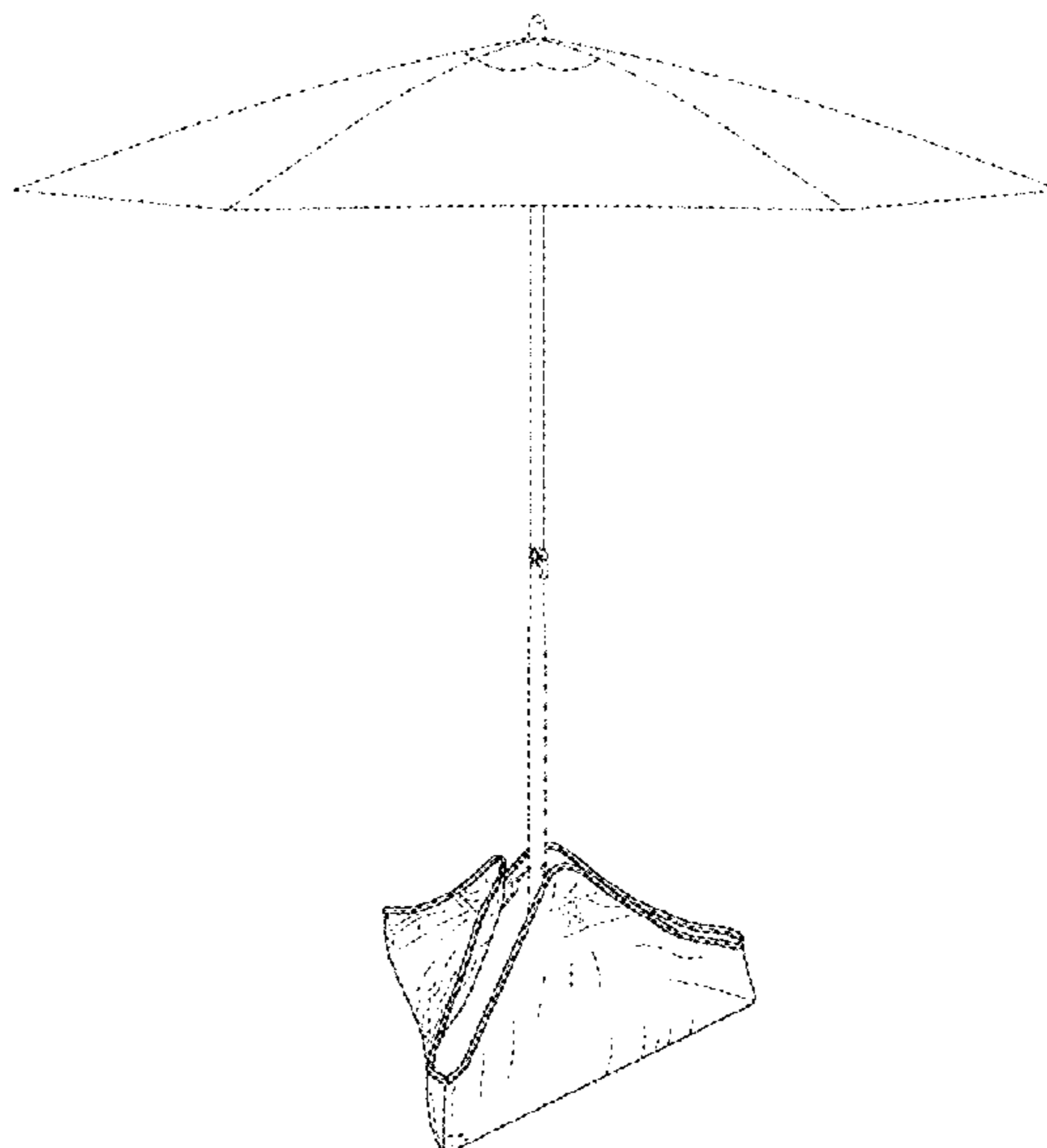
FIG. 1 is a perspective view of an umbrella base, shown with environment for ease of disclosure;
 FIG. 2 is another perspective view of the umbrella base;
 FIG. 3 is an enlarged view of a single hook element of the umbrella base, shown separately for ease of disclosure;
 FIG. 4 is an enlarged view of the hook elements secured to the umbrella post of the umbrella base, shown separately for ease of disclosure;
 FIG. 5 is a front view of the umbrella base;
 FIG. 6 is a rear view thereof;
 FIG. 7 is a left side view thereof;
 FIG. 8 is a right side view thereof;
 FIG. 9 is a top view thereof; and,
 FIG. 10 is a bottom view thereof.
 The broken lines depict portions of the article and environment that form no part of the claimed design.

1 Claim, 8 Drawing Sheets

(56) **References Cited**

U.S. PATENT DOCUMENTS

- 2,441,109 A * 5/1948 Carlson E04H 12/2223
403/86
- 4,296,693 A * 10/1981 Archer E04H 12/2246
108/28
- D283,381 S * 4/1986 Bakker D3/10
- D286,116 S * 10/1986 Tegze D3/10
- D305,702 S * 1/1990 Taliani D3/10
- D347,948 S * 6/1994 McKnight D3/10
- 5,452,877 A * 9/1995 Rifle E04H 12/2246
135/16
- D363,616 S * 10/1995 Allen D3/10
- D364,286 S * 11/1995 Loadholtz D3/10



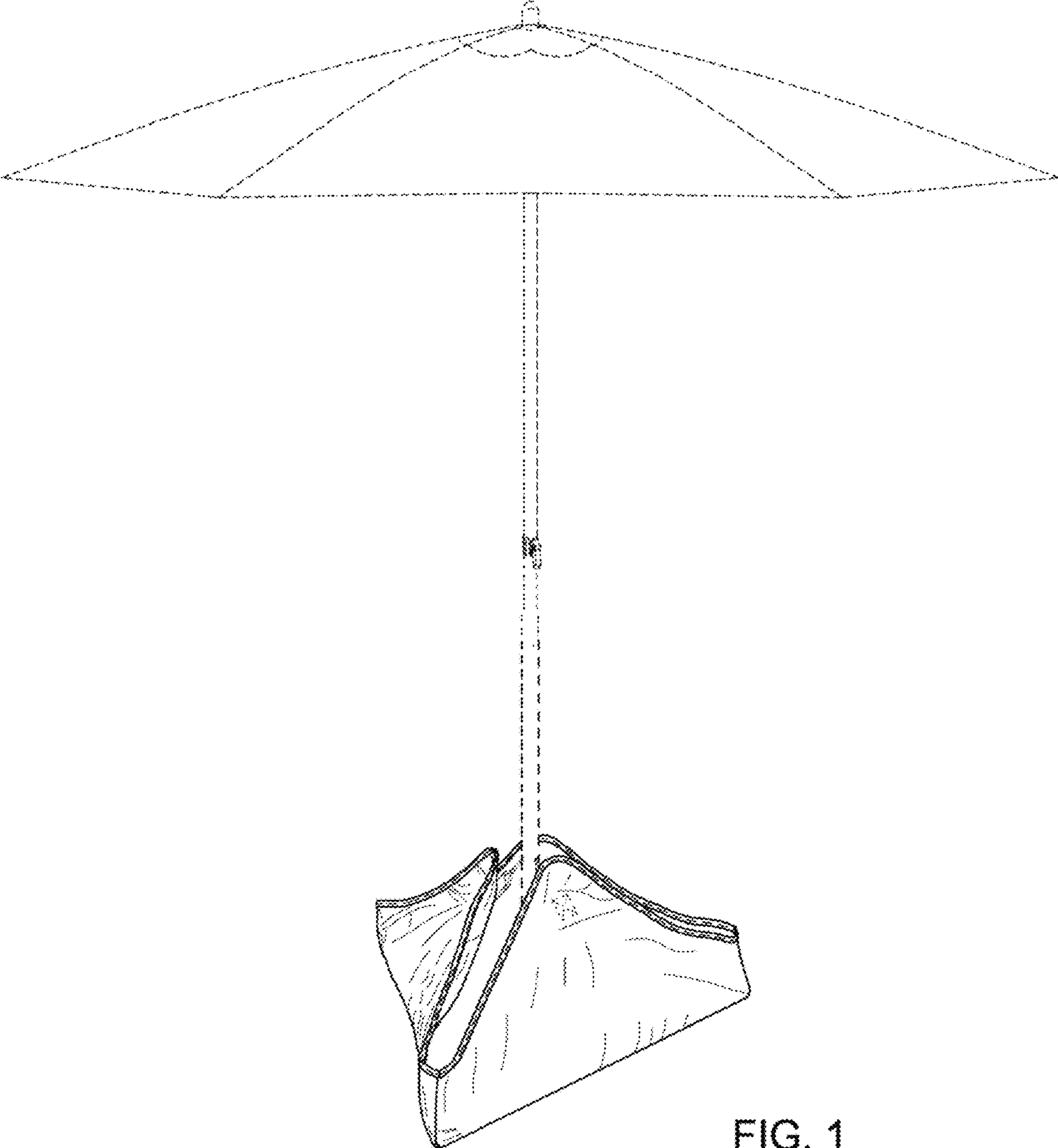
(56)

References Cited

U.S. PATENT DOCUMENTS

D623,845	S *	9/2010	Lintott	D3/10
D625,508	S *	10/2010	Thurrott	D3/10
D630,834	S *	1/2011	Cohen	D3/10
D655,531	S *	3/2012	Gharst	D3/10
D721,481	S *	1/2015	Elazar	D3/10
D727,010	S *	4/2015	Greto et al.	D3/10
9,468,275	B2 *	10/2016	Silberman	A45B 25/22
9,554,630	B1 *	1/2017	Patel	A45B 25/02
9,629,427	B1 *	4/2017	Alm	A45B 23/00
9,763,501	B2 *	9/2017	Supino	A45B 3/00
D809,774	S *	2/2018	Brady	D3/10
D816,982	S *	5/2018	Martinez	D3/10
D822,980	S *	7/2018	Schaeder	D3/10
D834,806	S *	12/2018	Spafford	D3/10
D840,672	S *	2/2019	Nichols	D3/10
10,323,459	B2 *	6/2019	Mauldin	E21B 7/027
10,344,496	B1 *	7/2019	Cefalo	E04H 12/22

* cited by examiner



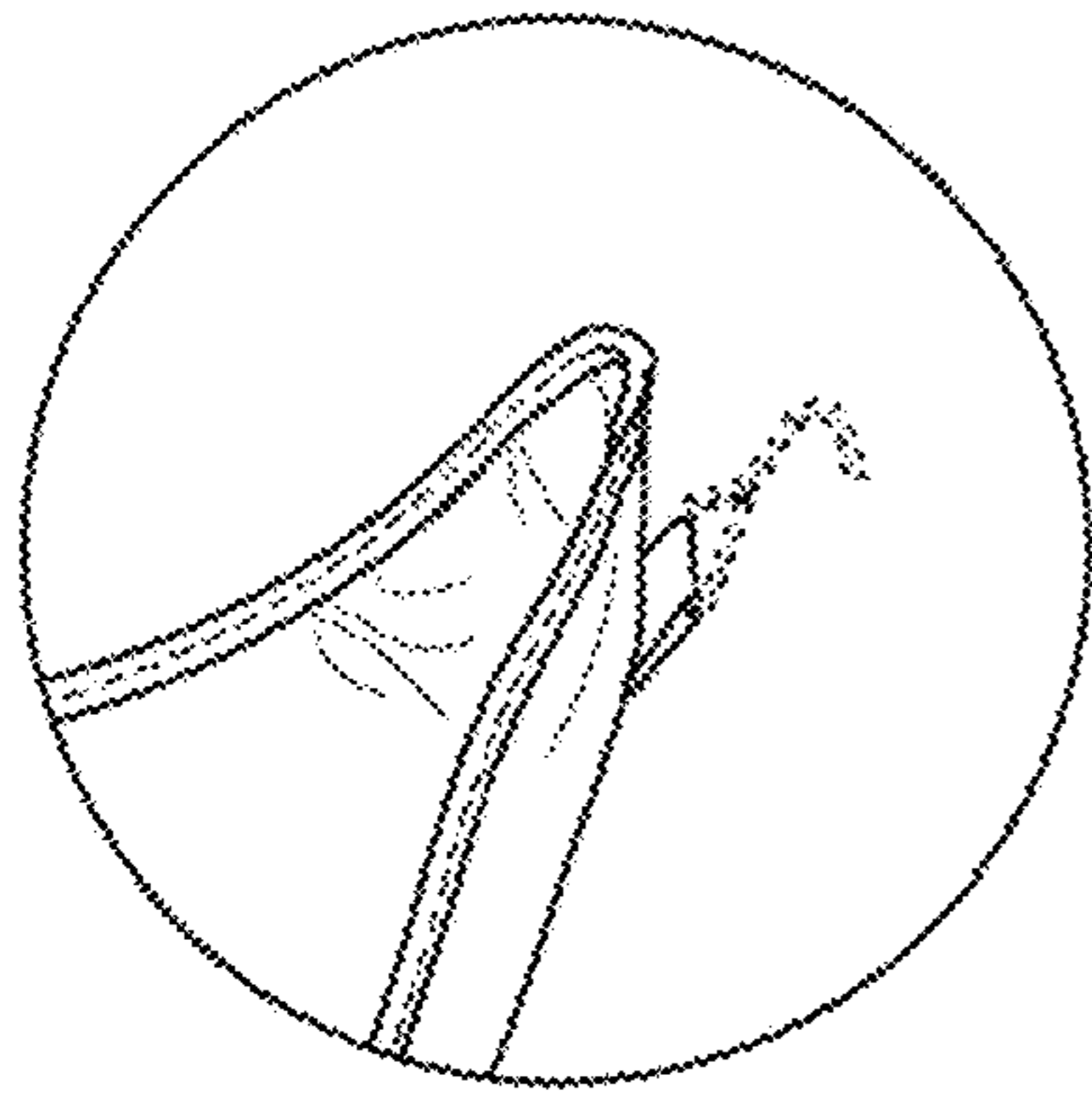


FIG. 3

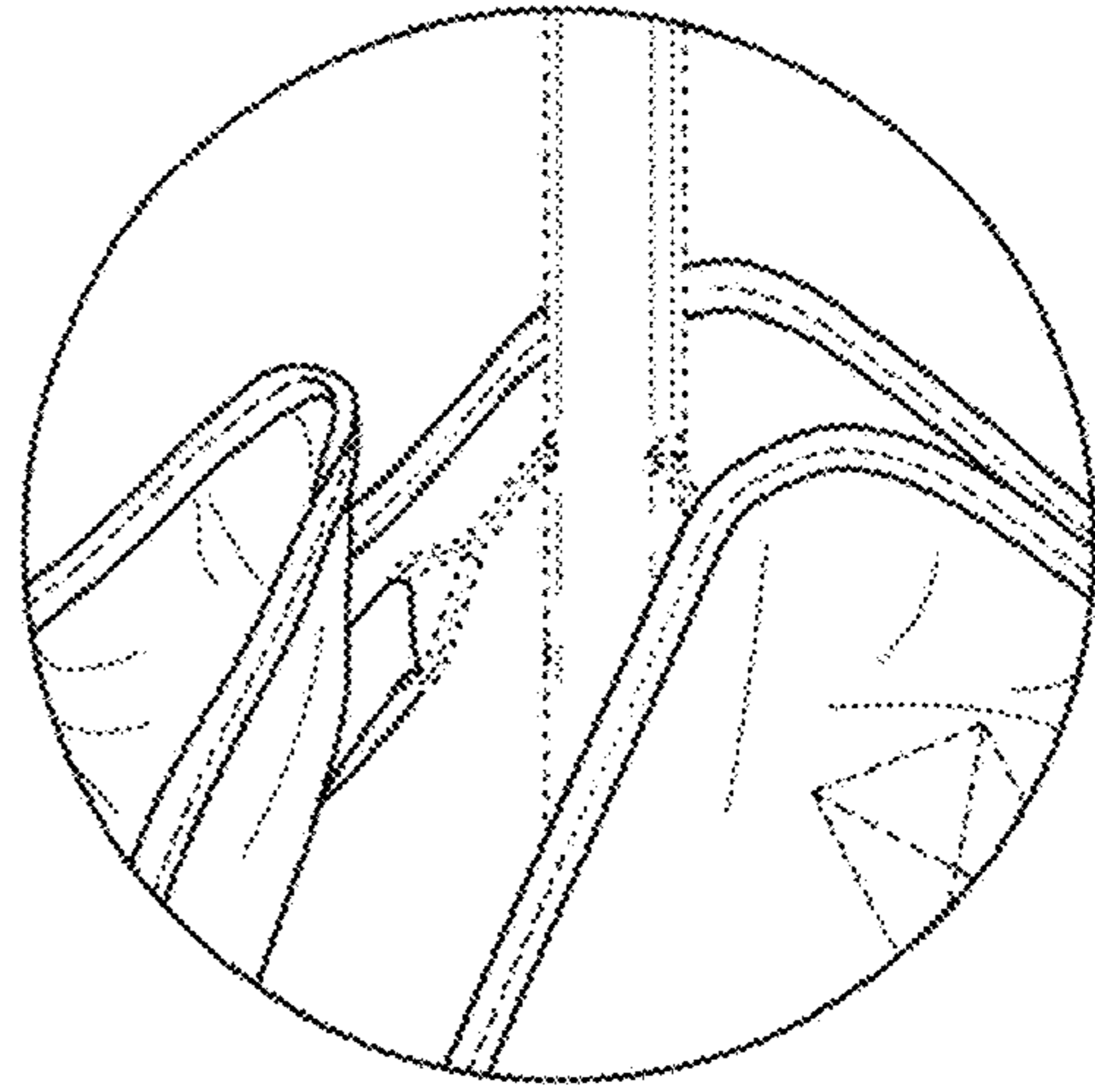


FIG. 4

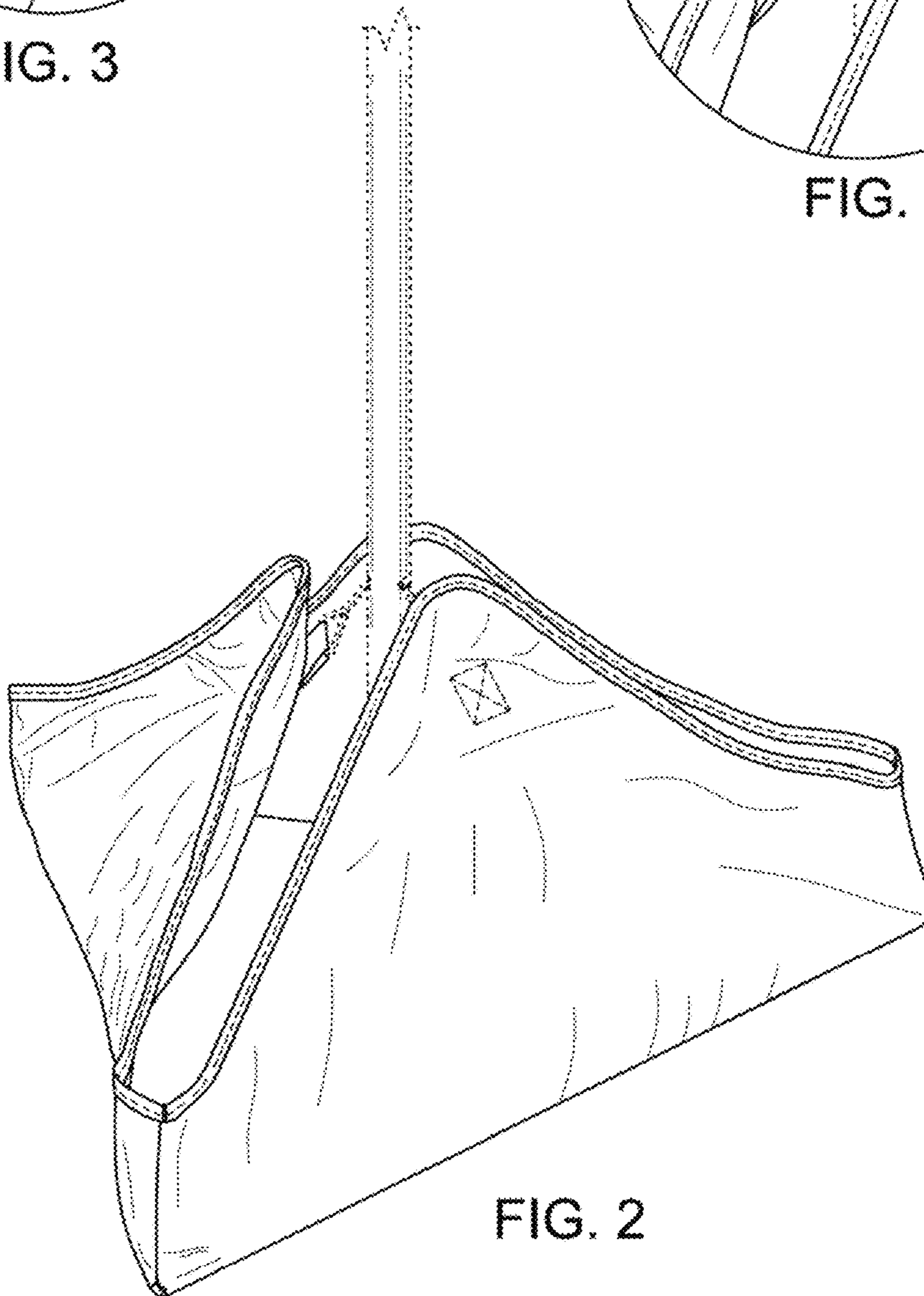


FIG. 2

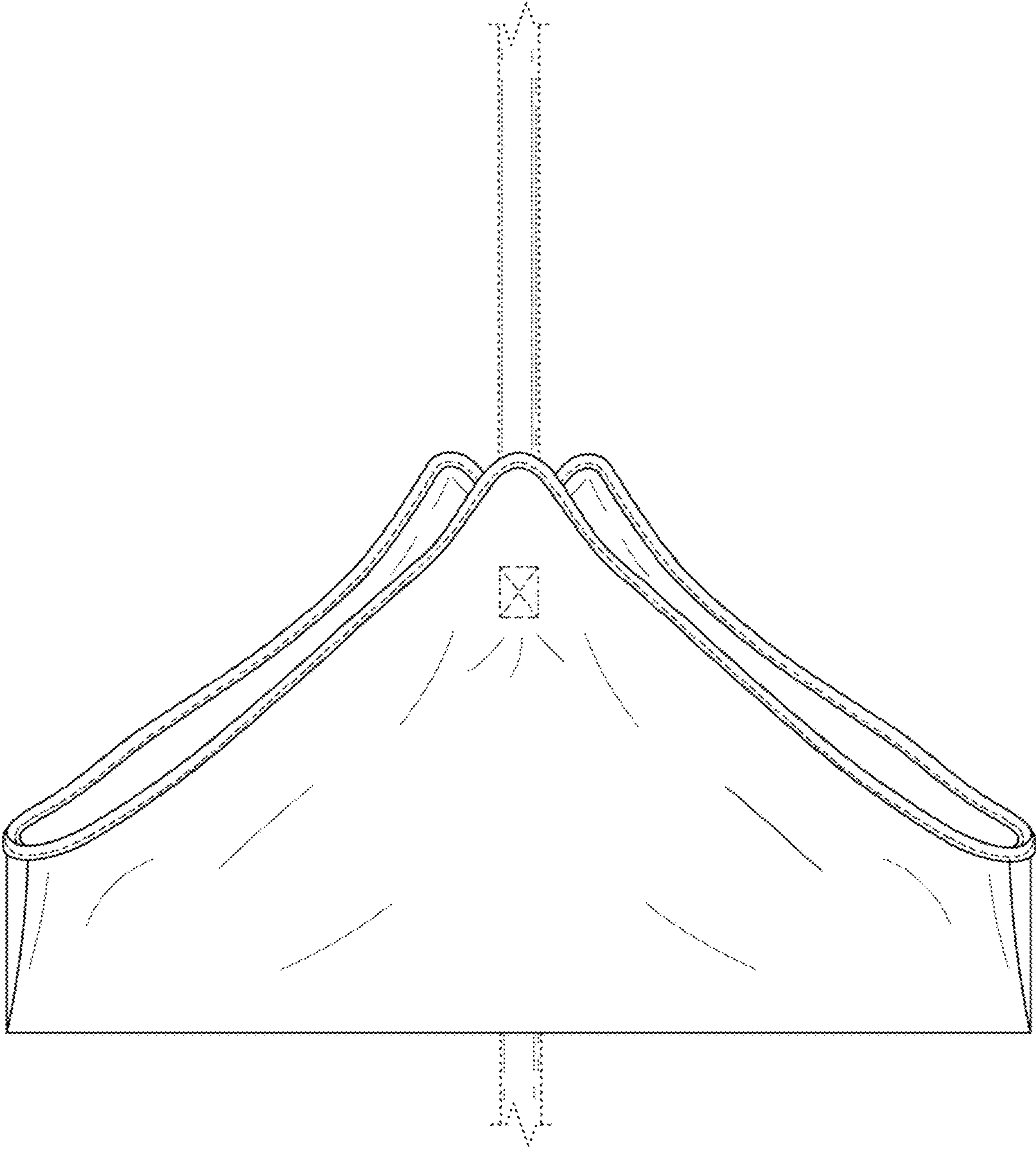
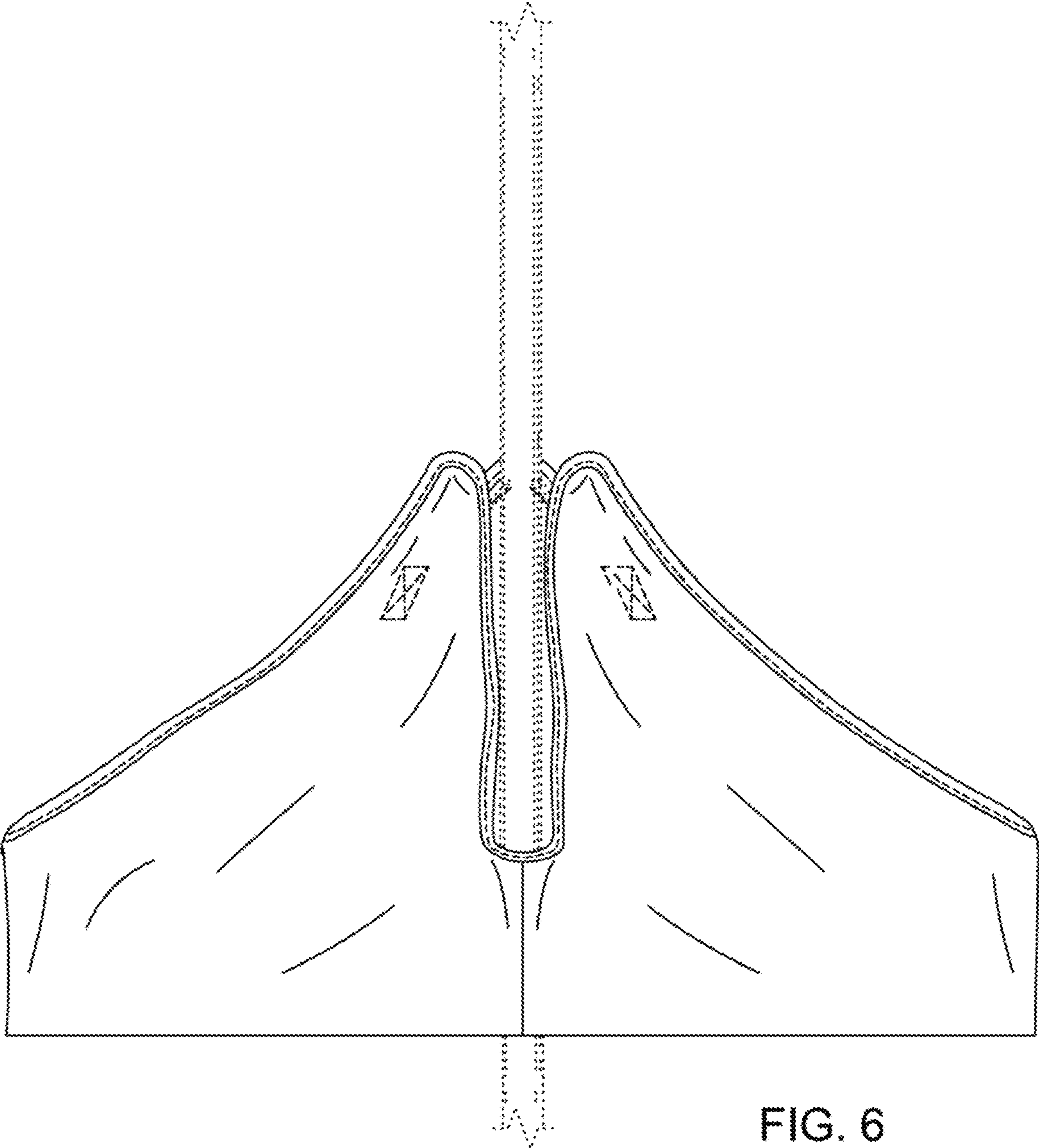


FIG. 5



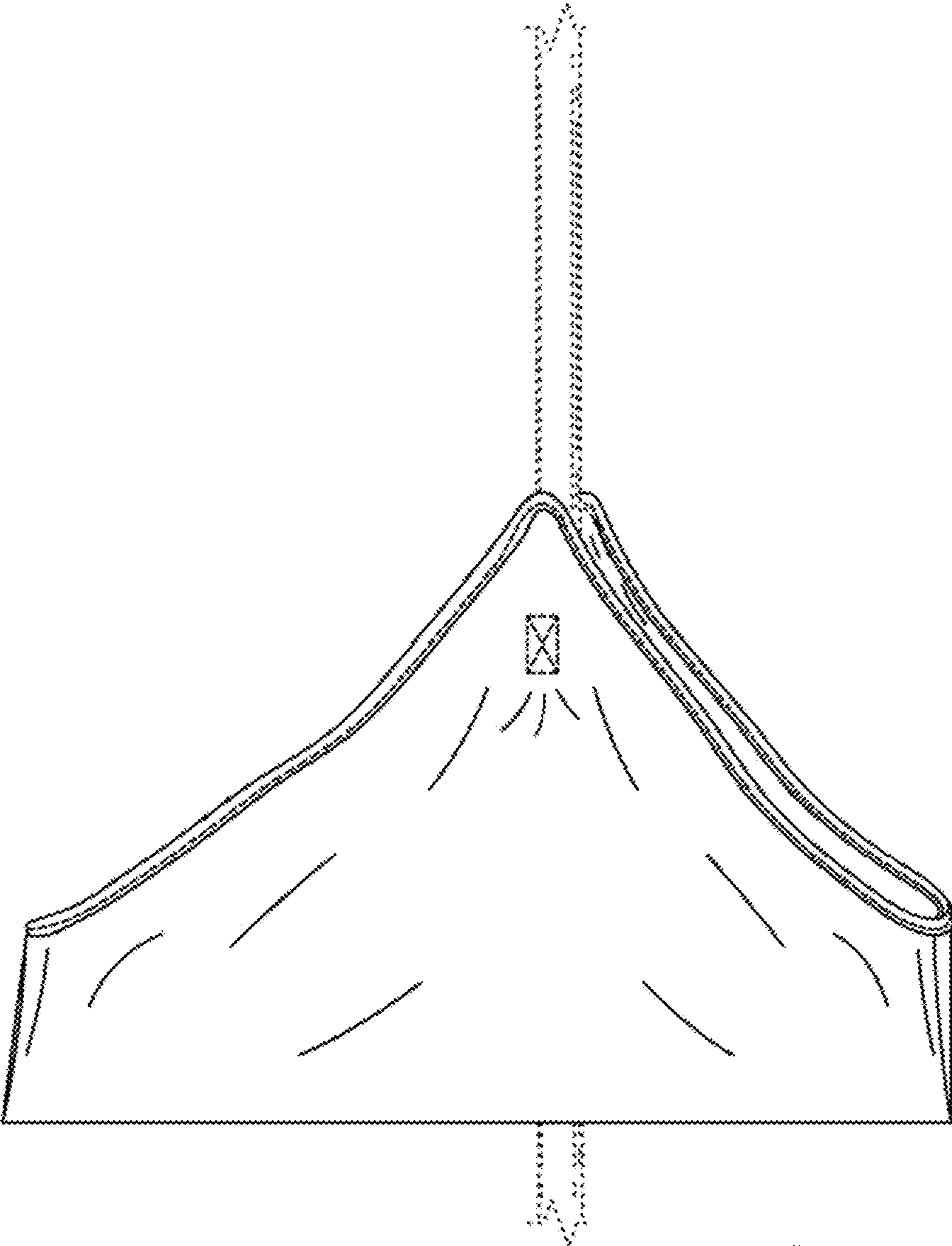


FIG. 7

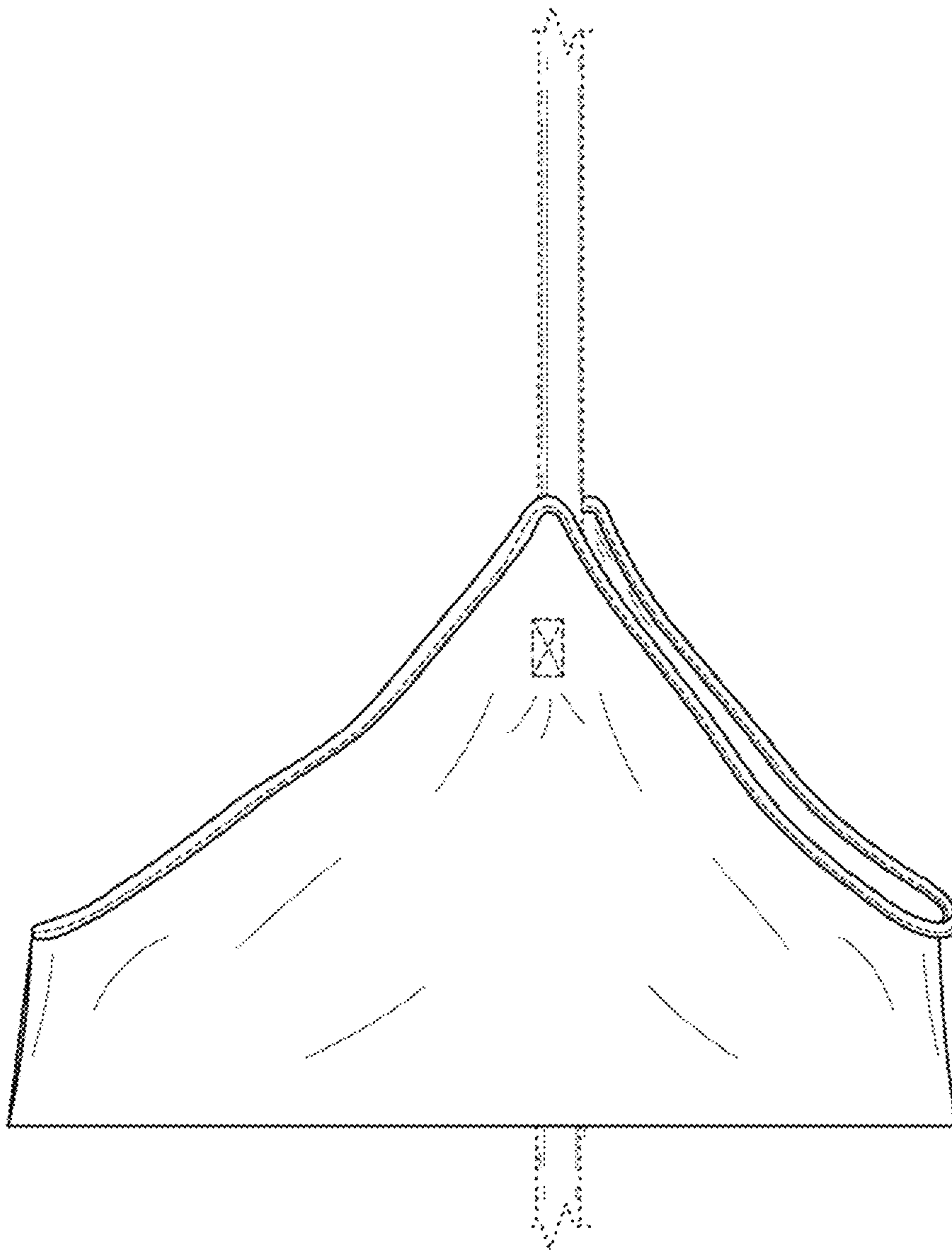


FIG. 8

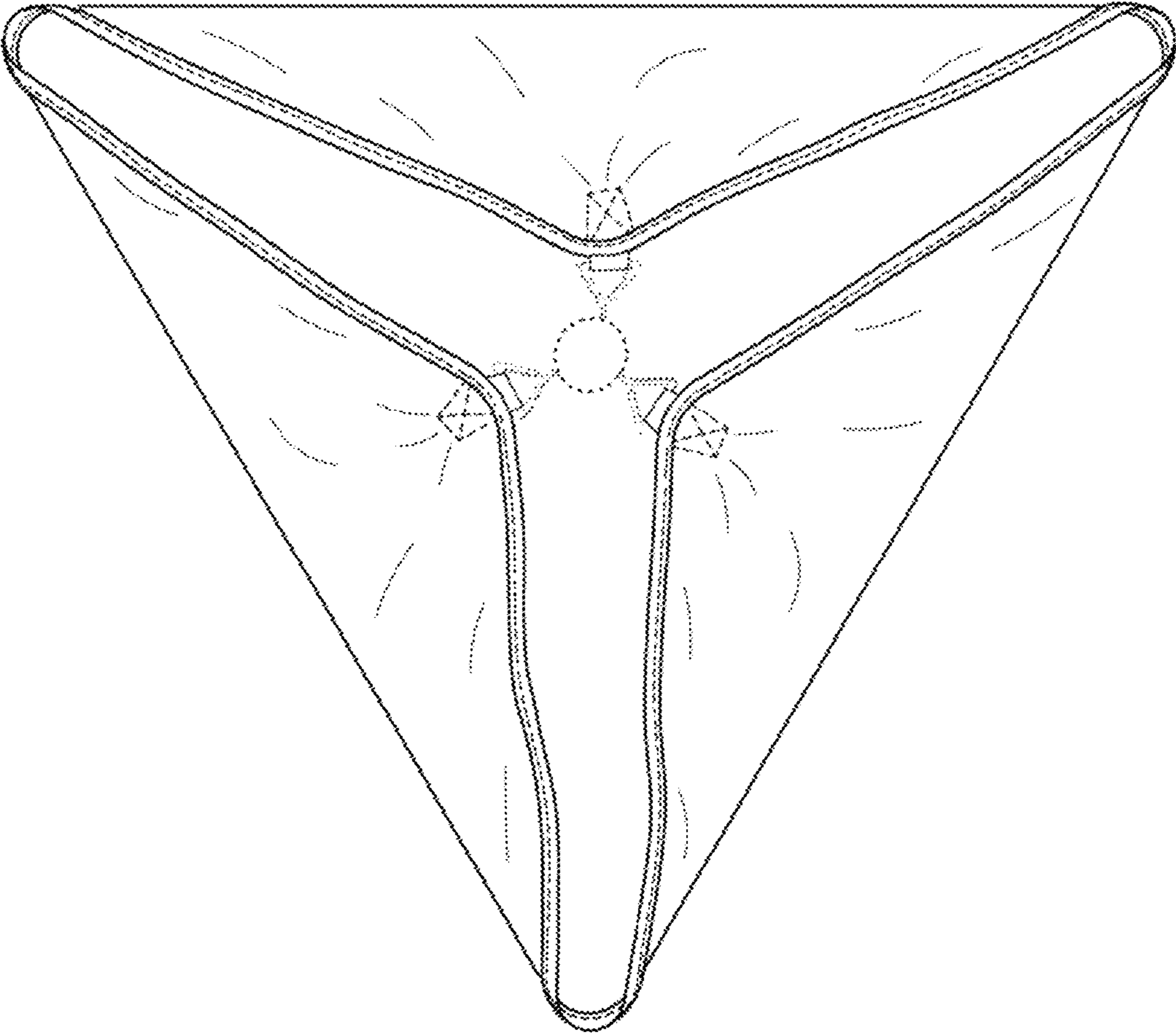


FIG. 9

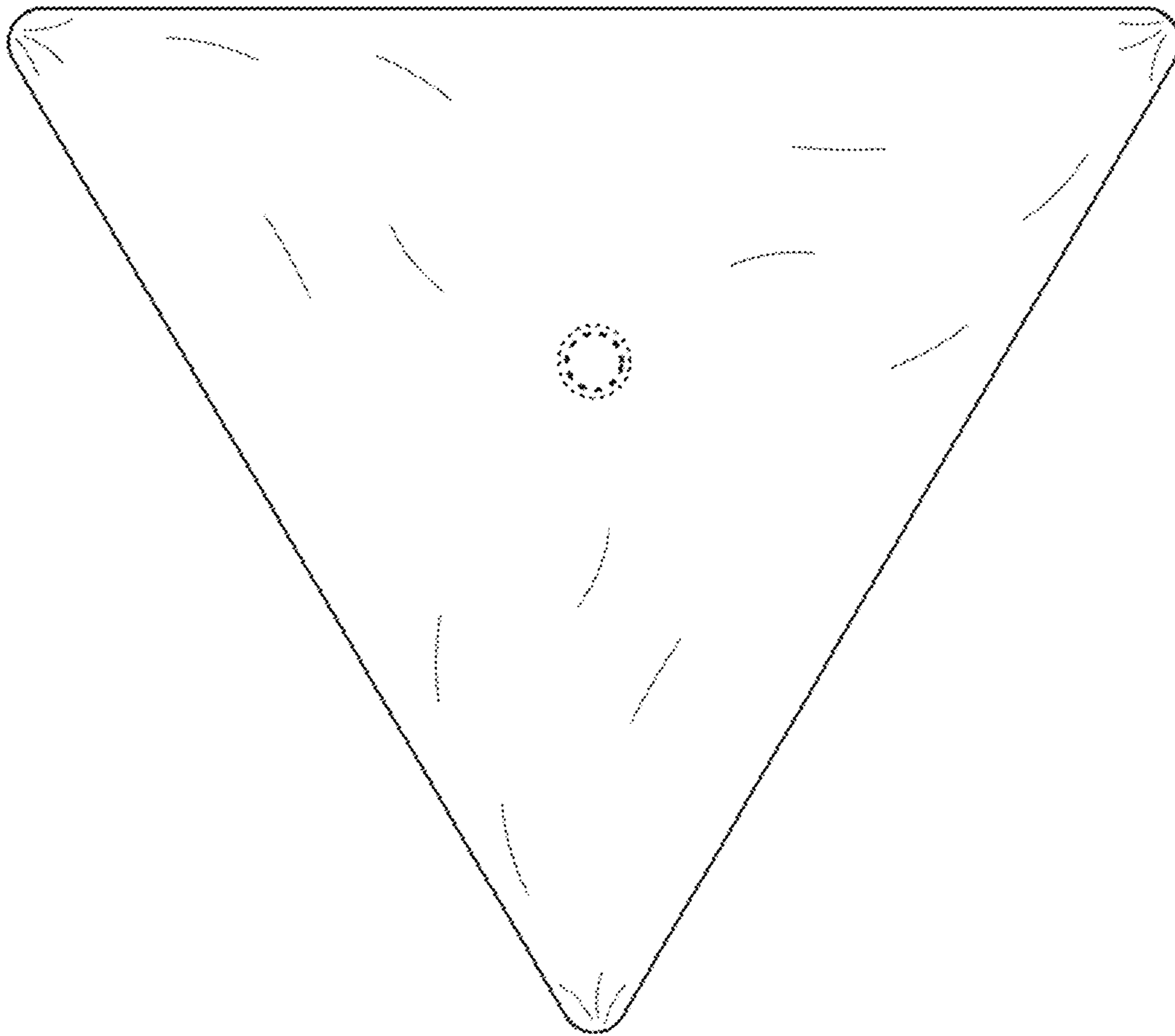


FIG. 10