



US00D889086S

(12) **United States Design Patent**
Shorten

(10) **Patent No.:** **US D889,086 S**

(45) **Date of Patent:** **** Jul. 7, 2020**

(54) **SHOE SOLE**

(71) Applicant: **Altra LLC**, Logan, UT (US)

(72) Inventor: **Steven Shorten**, Draper, UT (US)

(73) Assignee: **Altra LLC**, Logan, UT (US)

(**) Term: **15 Years**

(21) Appl. No.: **29/626,980**

(22) Filed: **Nov. 21, 2017**

(51) **LOC (12) Cl.** **02-04**

(52) **U.S. Cl.**
USPC **D2/952; D2/951; D2/953; D2/956;**
D2/957

(58) **Field of Classification Search**

USPC D2/902, 906, 908, 916, 918, 925,
D2/946-962, 977; 36/3 B, 22 R, 24.5,
36/25 R, 28, 32 R, 34 R, 59 C, 67 A, 103
CPC A43B 13/00; A43B 13/02; A43B 13/023;
A43B 13/026; A43B 13/04; A43B 13/08;
A43B 13/10; A43B 13/12; A43B 13/14;
A43B 13/141; A43B 13/143; A43B
13/16; A43B 13/18; A43B 13/181; A43B
13/187; A43B 13/189; A43B 13/20; A43B
13/22; A43B 13/223; A43B 13/24; A43B
13/28; A43B 13/30; A43B 13/32; A43B
13/34; A43B 13/36

See application file for complete search history.

(56) **References Cited**

U.S. PATENT DOCUMENTS

D319,338 S * 8/1991 Nakano D2/954
D319,920 S * 9/1991 Nakano D2/954
5,465,507 A * 11/1995 Schumacher A43B 13/14
36/114

(Continued)

OTHER PUBLICATIONS

Altra Lone Peak 1.0, Oct. 13, 2016, GearTrade (3 pp.).

(Continued)

Primary Examiner — T Chase Nelson

(74) *Attorney, Agent, or Firm* — Holland & Hart, LLP

(57) **CLAIM**

The ornamental design for the shoe sole, as shown and described.

DESCRIPTION

FIG. 1 is a side view of a shoe sole according to the present disclosure.

FIG. 2 is bottom view of the shoe sole of FIG. 1.

FIG. 3 is a medial view of the shoe sole of FIG. 1 with the unclaimed upper shown in FIG. 1 removed.

FIG. 4 is a cross-sectional view of the shoe sole along lines 4-4 in FIG. 2.

FIG. 5 is a cross-sectional view of the shoe sole along lines 5-5 in FIG. 2.

FIG. 6 is a cross-sectional view of the shoe sole along lines 6-6 in FIG. 2.

FIG. 7 is a cross-sectional view of the shoe sole along lines 7-7 in FIG. 2.

FIG. 8 is a cross-sectional view of the shoe sole along lines 8-8 in FIG. 2.

FIG. 9 is an enlarged view of a tread of the shoe sole of FIG. 2.

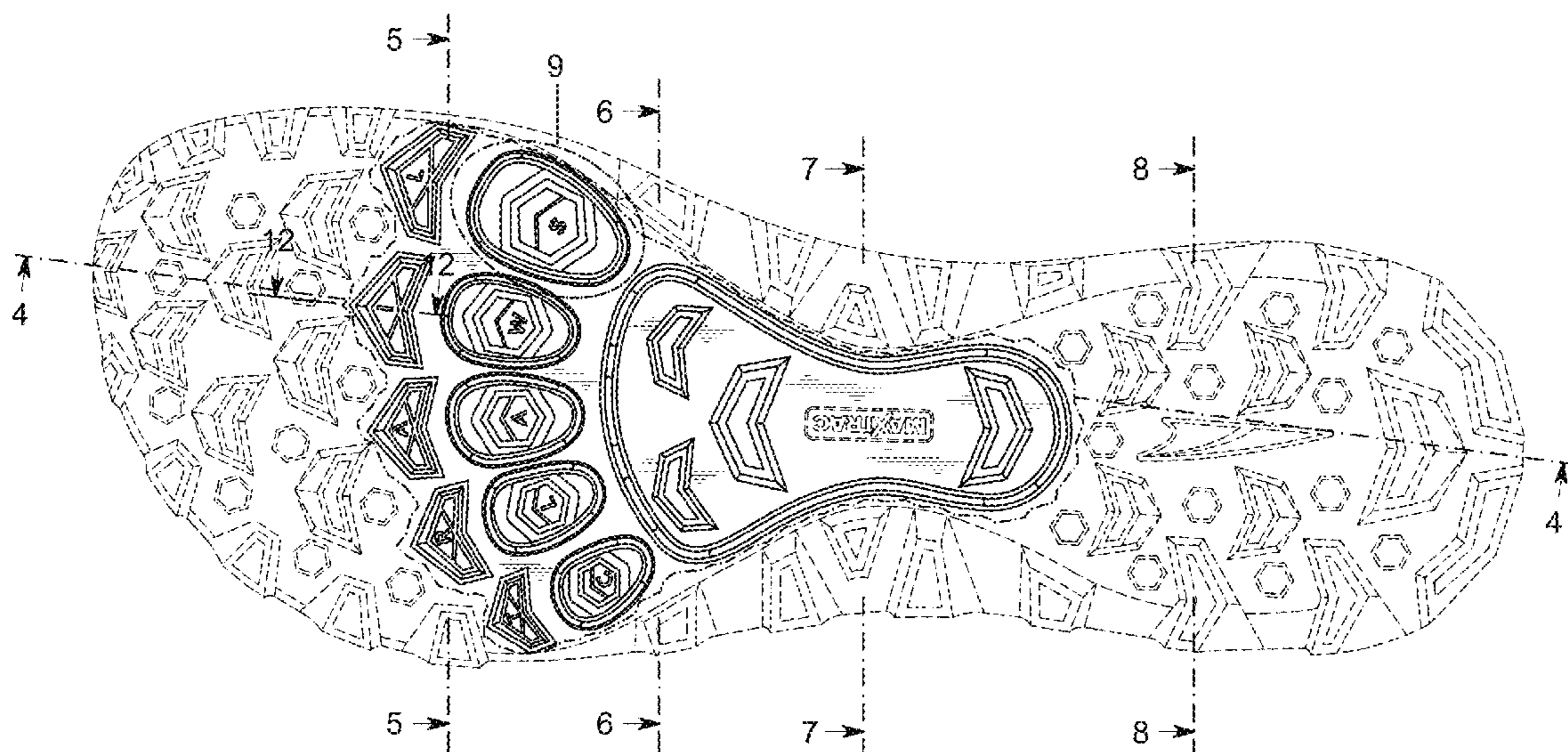
FIG. 10 is cross-sectional view of the shoe sole along lines 10-10 in FIG. 9.

FIG. 11 is a cross-sectional view of the shoe sole along lines 11-11 in FIG. 9; and,

FIG. 12 is a cross-sectional view of the shoe sole along lines 12-12 in FIG. 9.

The features shown in broken lines depict unclaimed portions of the shoe sole as well as environmental structure associated with the shoe sole in a condition of use. The broken lines and structure they depict form no part of the claimed design.

1 Claim, 7 Drawing Sheets



(56)

References Cited

U.S. PATENT DOCUMENTS

6,544,626 B1 * 4/2003 Minges A43B 13/22
428/141
7,101,604 B1 * 9/2006 Minges A43B 3/0078
36/28
D625,906 S * 10/2010 Zhang A43B 7/26
D2/898
D626,311 S * 11/2010 Zhang A43B 7/26
D2/898
D639,535 S * 6/2011 Eggert A43B 7/26
D2/898
D647,290 S * 10/2011 Bramani A43B 7/26
D2/951
D656,305 S * 3/2012 Harper D2/951
D661,074 S * 6/2012 Bramani D2/951
D674,170 S * 1/2013 Bramani A43B 7/26
D2/902
D674,171 S * 1/2013 Bramani D2/902
D675,815 S * 2/2013 Dazai D2/951
D693,995 S * 11/2013 Lazaris D2/902
8,572,868 B2 * 11/2013 Fliri A43B 1/10
2/239
D697,289 S * 1/2014 Bramani D2/898
D700,766 S * 3/2014 Bramani D2/902
D715,035 S * 10/2014 Bramani A43B 7/26
D2/951
D719,727 S * 12/2014 Abshire A43B 7/26
D2/951
D721,877 S * 2/2015 Steele D2/948
D723,253 S * 3/2015 Blaise D2/948
D728,902 S * 5/2015 Conchieri A43B 13/20
D2/902
D730,021 S * 5/2015 Conchieri A43B 7/26
D2/902
D756,093 S * 5/2016 Mahoney A43B 7/26
D2/951
D774,739 S * 12/2016 Oliver A43B 7/1425
D2/948
D776,903 S * 1/2017 Howe A43B 13/22
D2/947
D777,411 S * 1/2017 Howe A43B 3/0078
D2/951
D855,299 S * 8/2019 Loverin D2/955

D867,736 S * 11/2019 Behr D2/953
D875,363 S * 2/2020 Shorten G05B 19/048
D2/952
2013/0031804 A1 * 2/2013 Abshire A43B 7/1425
36/103
2013/0036629 A1 * 2/2013 Bramani A43B 7/26
36/93
2013/0227857 A1 * 9/2013 Schindler A43B 13/20
36/83
2013/0232820 A1 * 9/2013 Bramani A43B 7/26
36/94
2017/0150780 A1 * 6/2017 Walker A43B 3/0005
2017/0150785 A1 * 6/2017 Walker A43D 63/00
2018/0343979 A1 * 12/2018 Yoshida A43C 15/02
2019/0082781 A1 * 3/2019 Iuchi A43B 5/06
2019/0150557 A1 * 5/2019 Shorten A43B 13/141
2019/0174871 A1 * 6/2019 Walker G05B 19/048

OTHER PUBLICATIONS

Altra Lone Peak 1.5 Trail-Running Shoes —Men’s, Oct. 13, 2016, REI Co-Op (14 pp.).
Altra Lone Peak 2 Trail Running Shoe, Aug. 13, 2014, Amazon.com (10 pp.).
Altra Lone Peak 2.5 Trail Running Shoe, May 19, 2015, Amazon.com (10 pp.).
Altra Lone Peak 3 Running Shoe, Oct. 17, 2014, Amazon.com (10 pp.).
Altra Lone Peak 3.5 Men’s Trail Running Shoe, Oct. 17, 2014, Amazon.com (10 pp.).
Altra Running Men’s Olympus 1.5 Trail Running Shoe, Nov. 25, 2014, Amazon.com (11 pp.).
Altra Men’s Olympus 2 Trail Running Shoe, Oct. 17, 2014, Amazon.com (10 pp.).
Altra Men’s Olympus 2.5 Athletic Shoe, Oct. 17, 2014, Amazon.com (10 pp.).
Altra Running Mens Superior 2 Running Shoe, Nov. 25, 2014, Amazon.com (11 pp.).
Altra Men’s Superior 3 Running Shoe, Oct. 17, 2014, Amazon.com (8 pp.).
Altra Men’s Superior 3.5 Running Shoe, Oct. 17, 2014, Amazon.com (8 pp.).

* cited by examiner

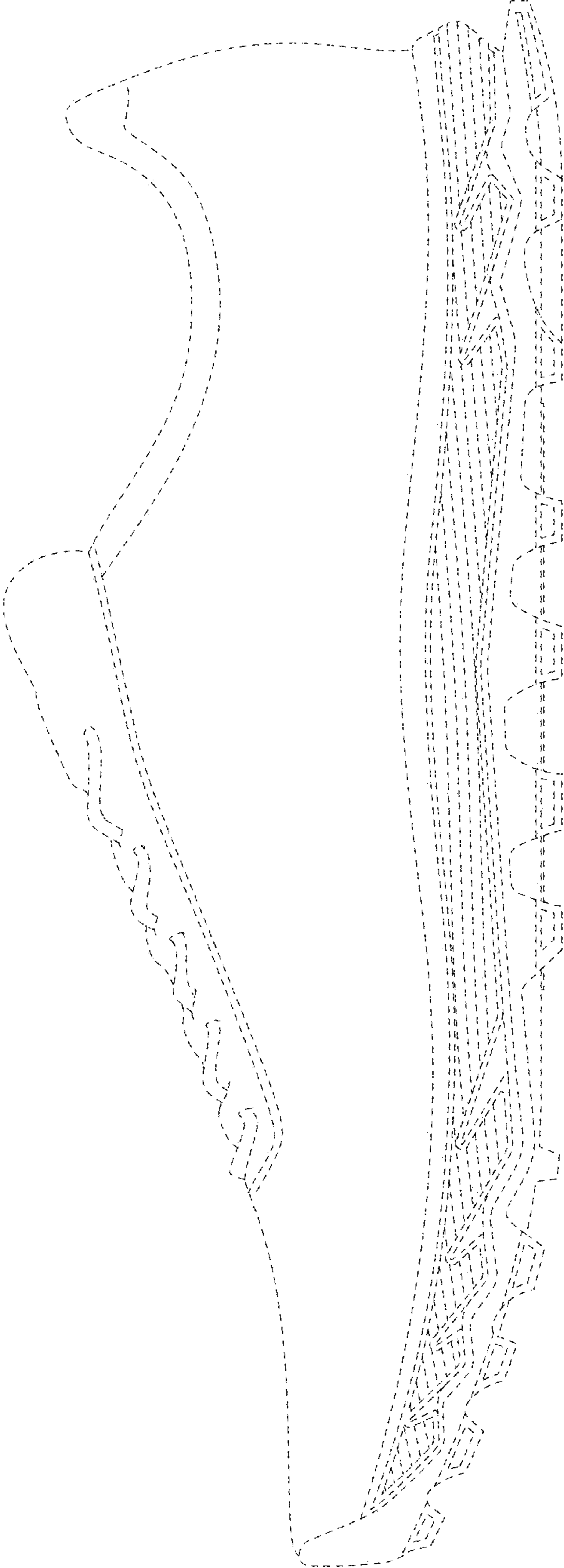


FIG. 1

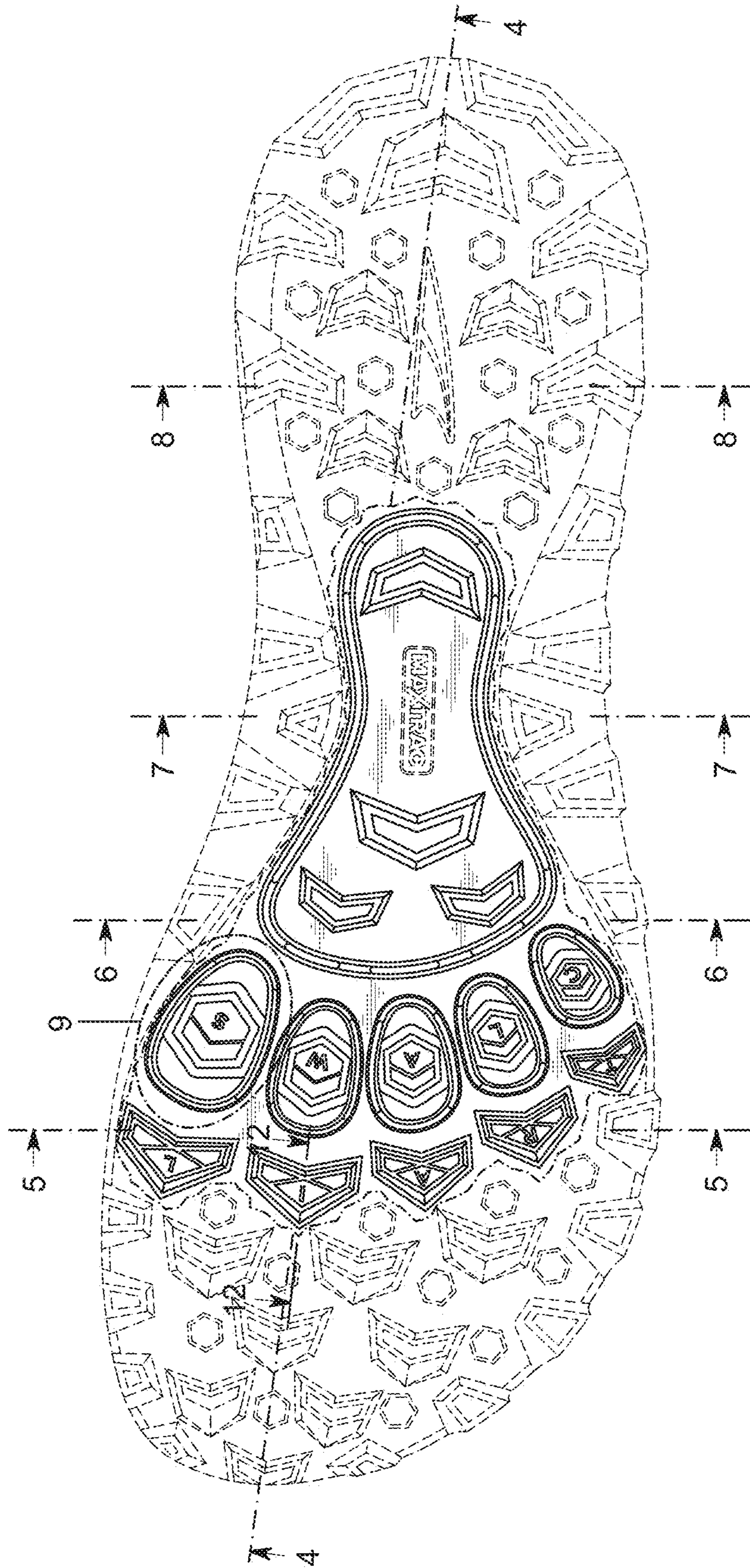


FIG. 2

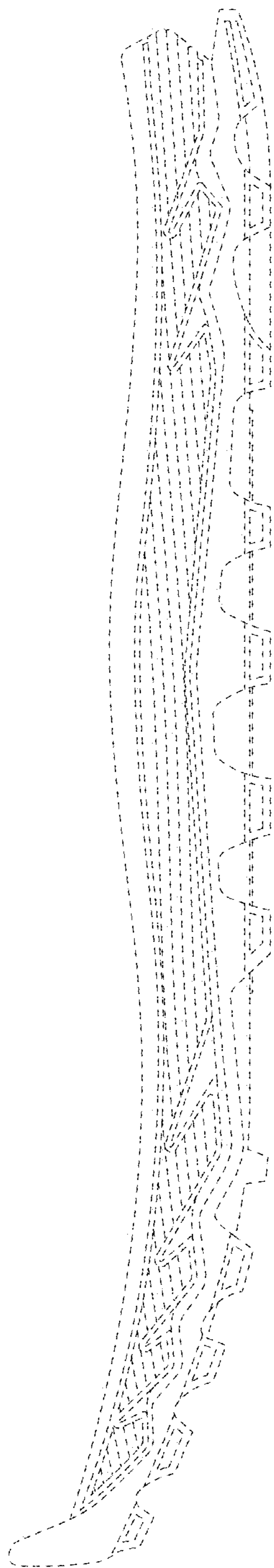


FIG. 3

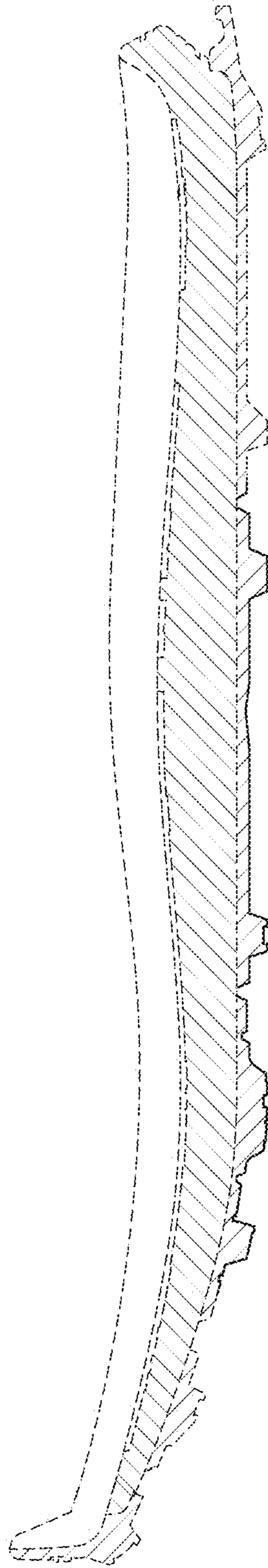


FIG. 4

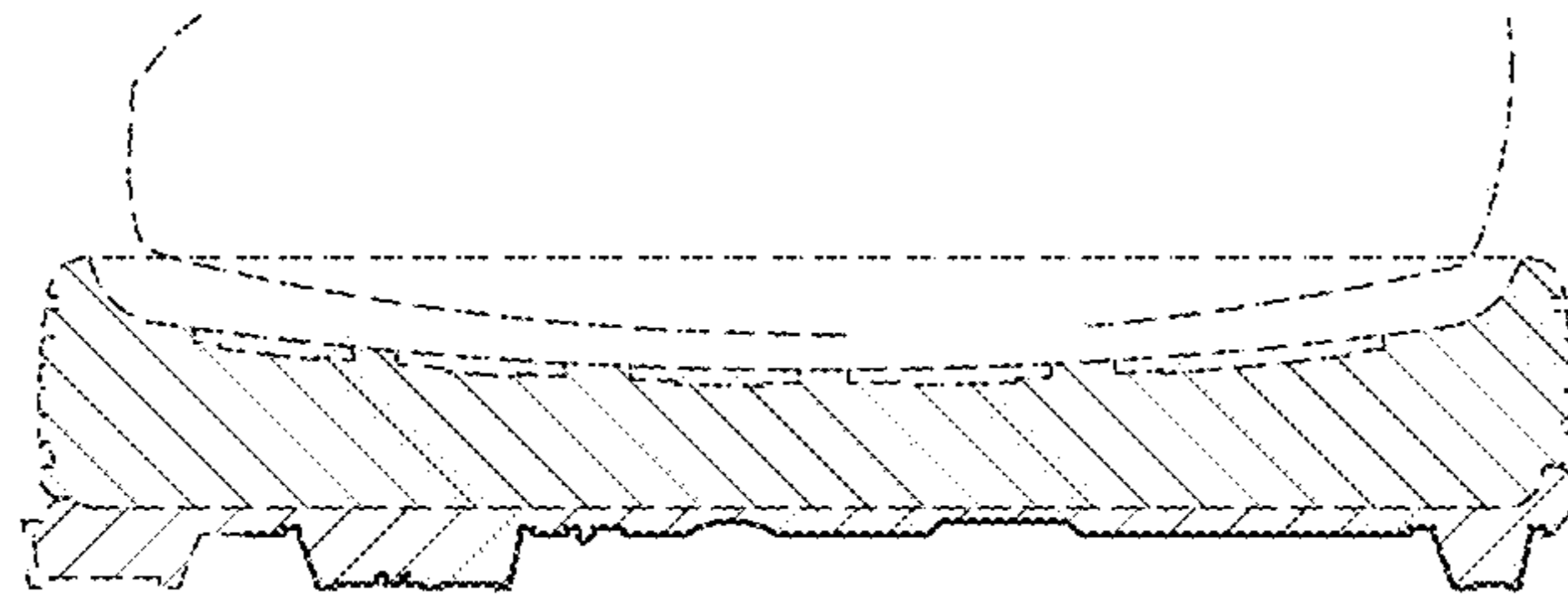


FIG. 5

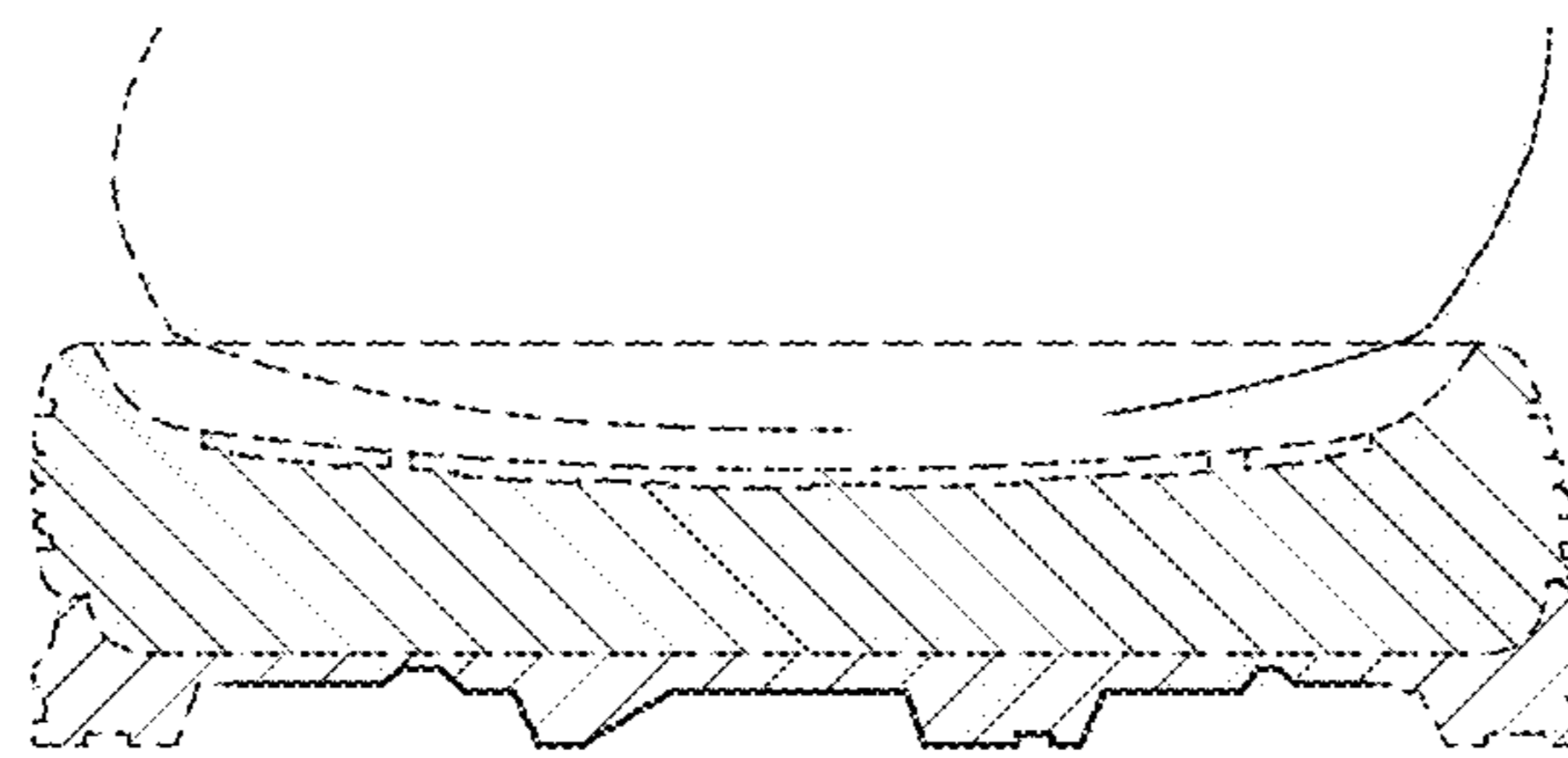


FIG. 6

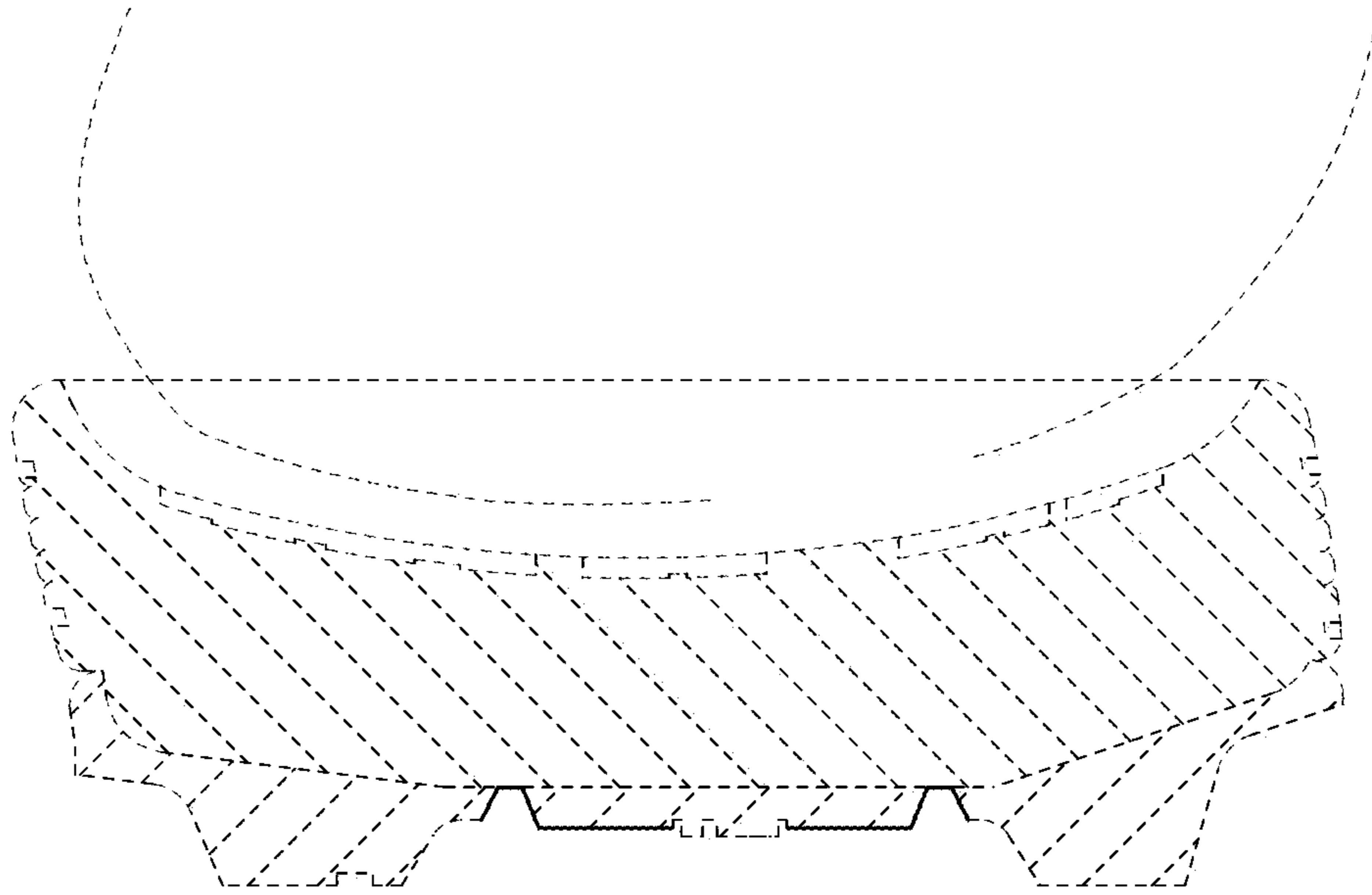


FIG. 7

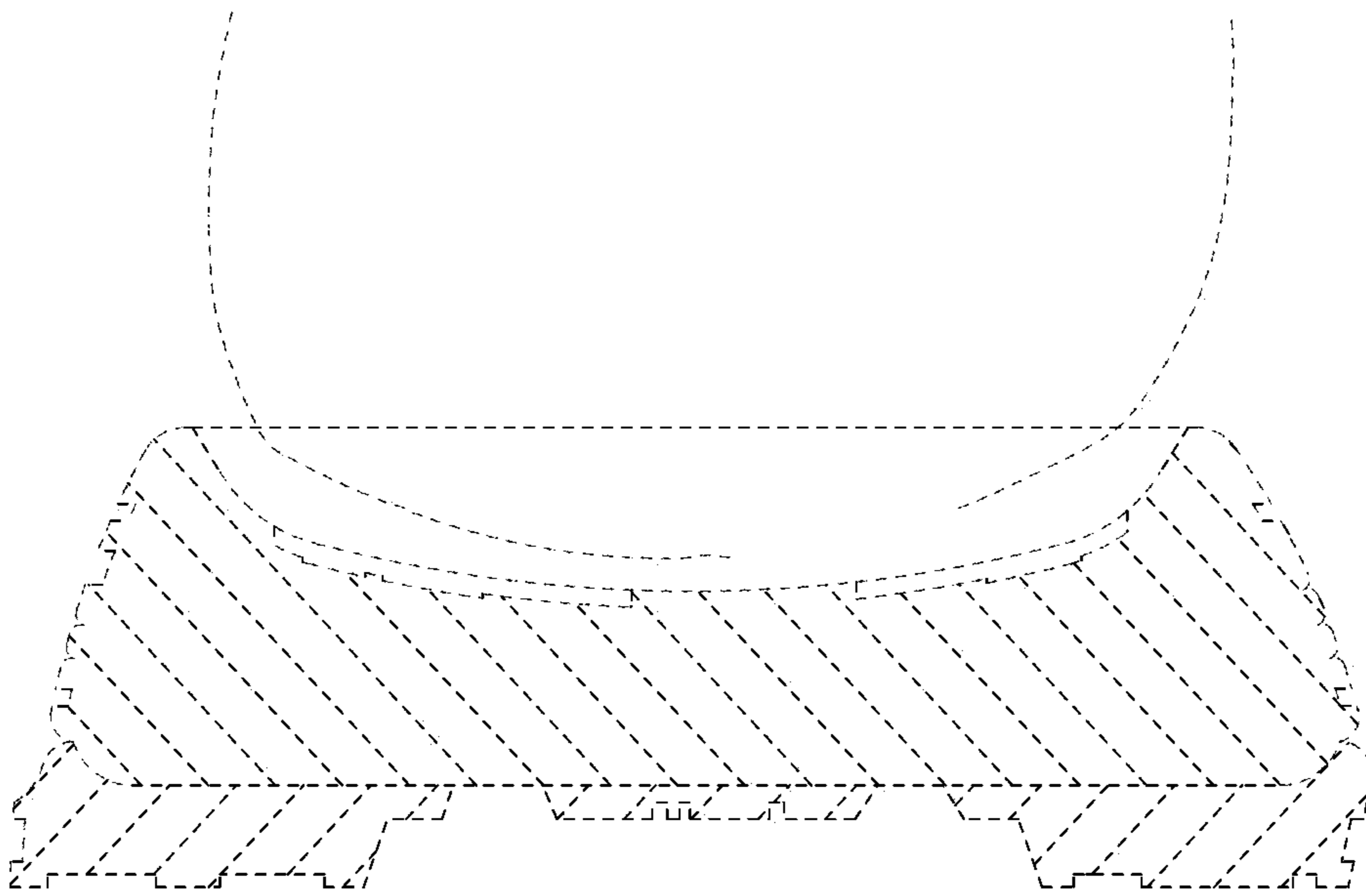


FIG. 8

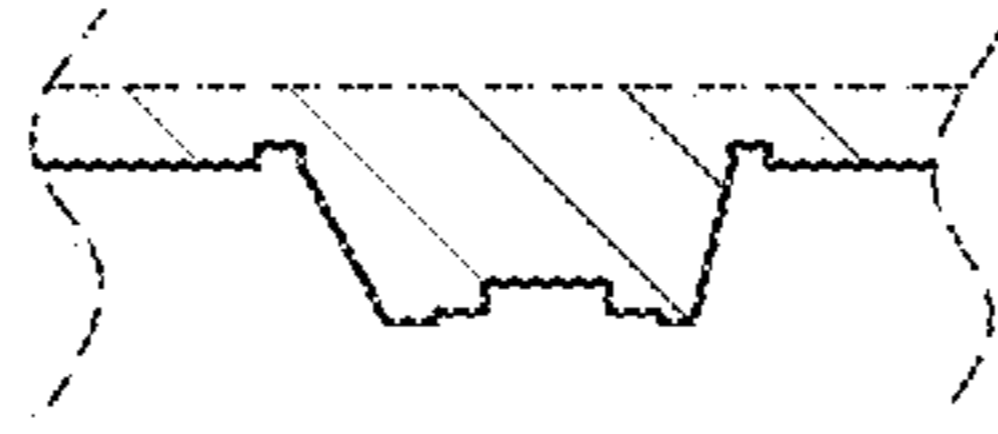
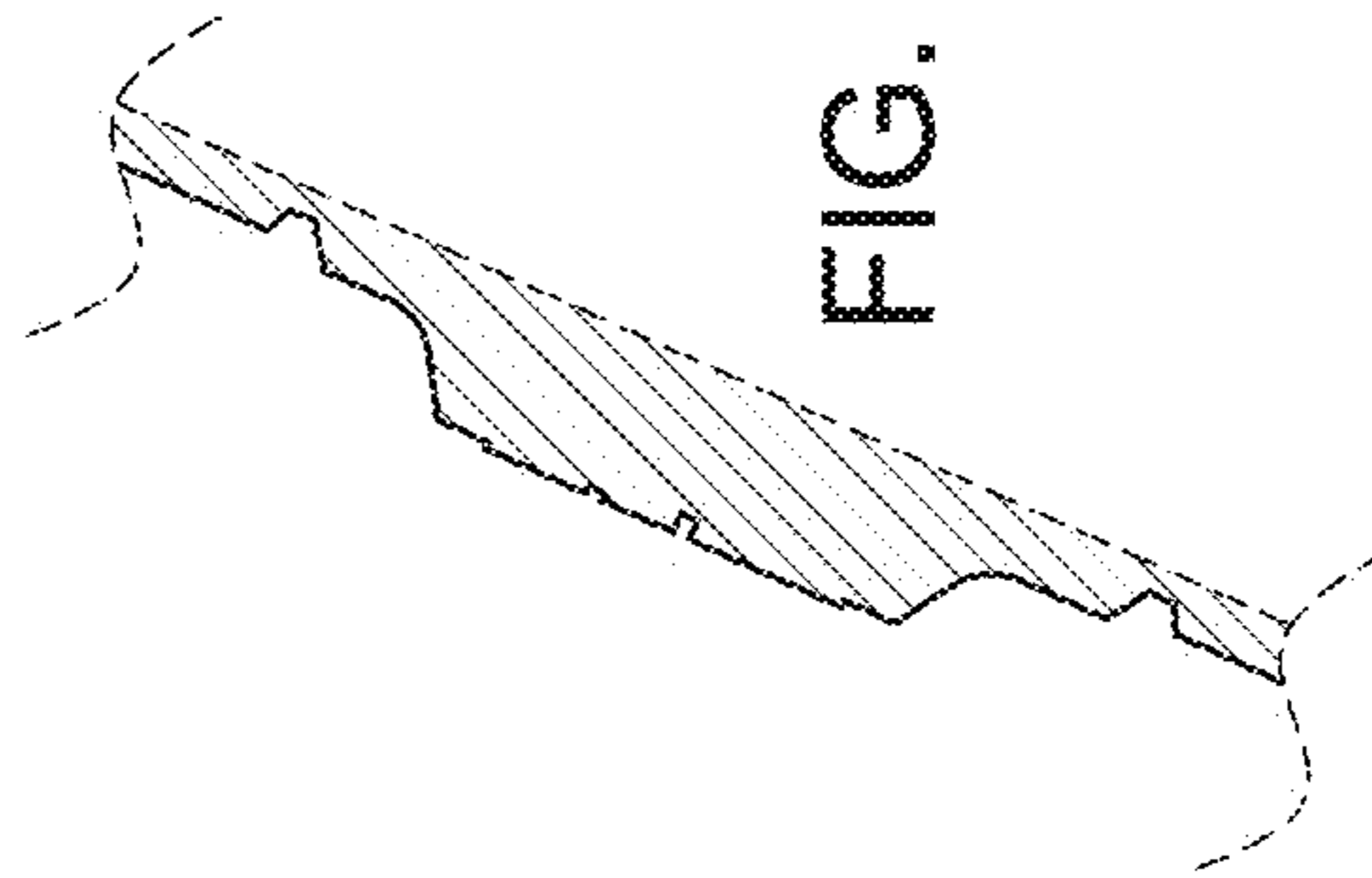
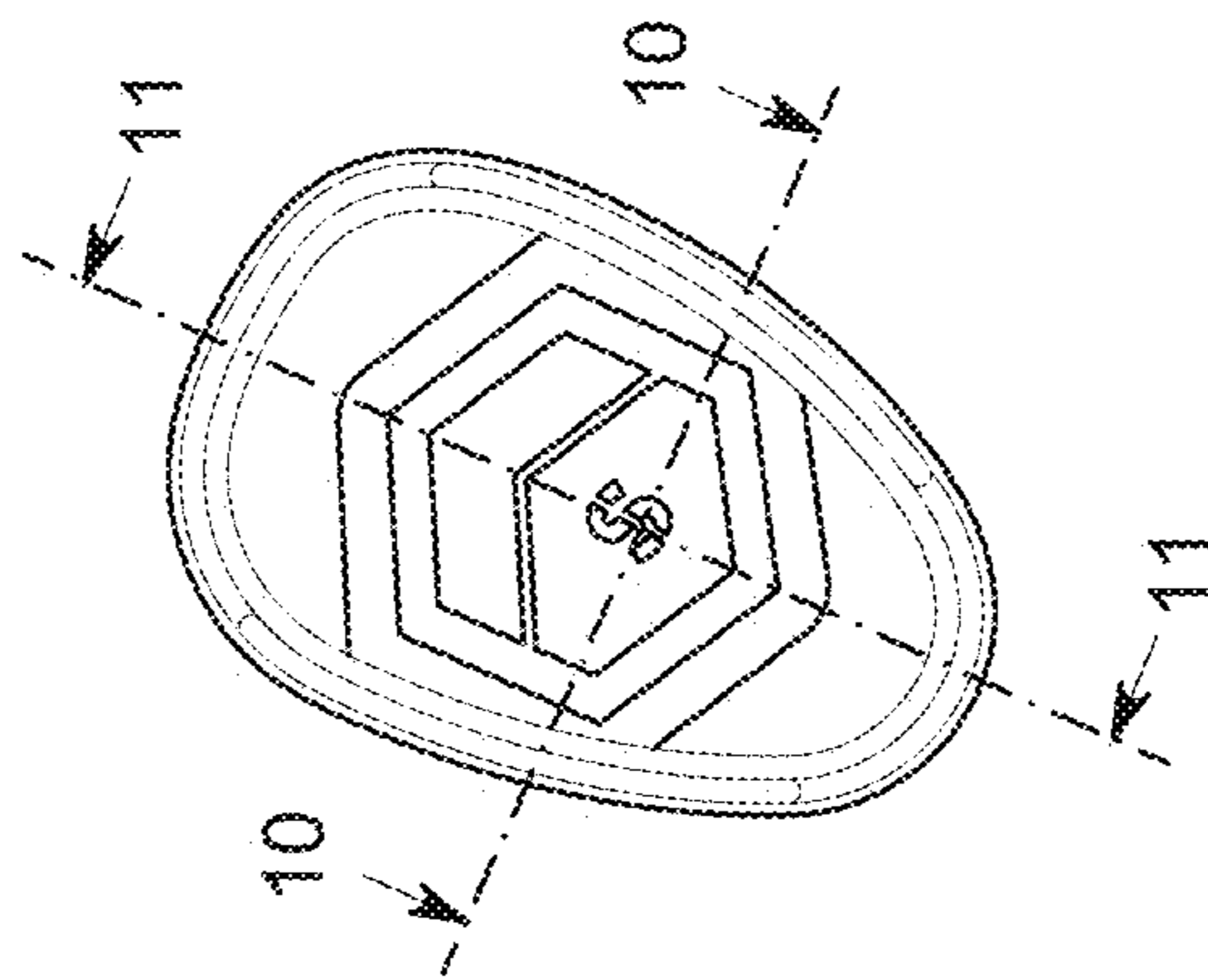
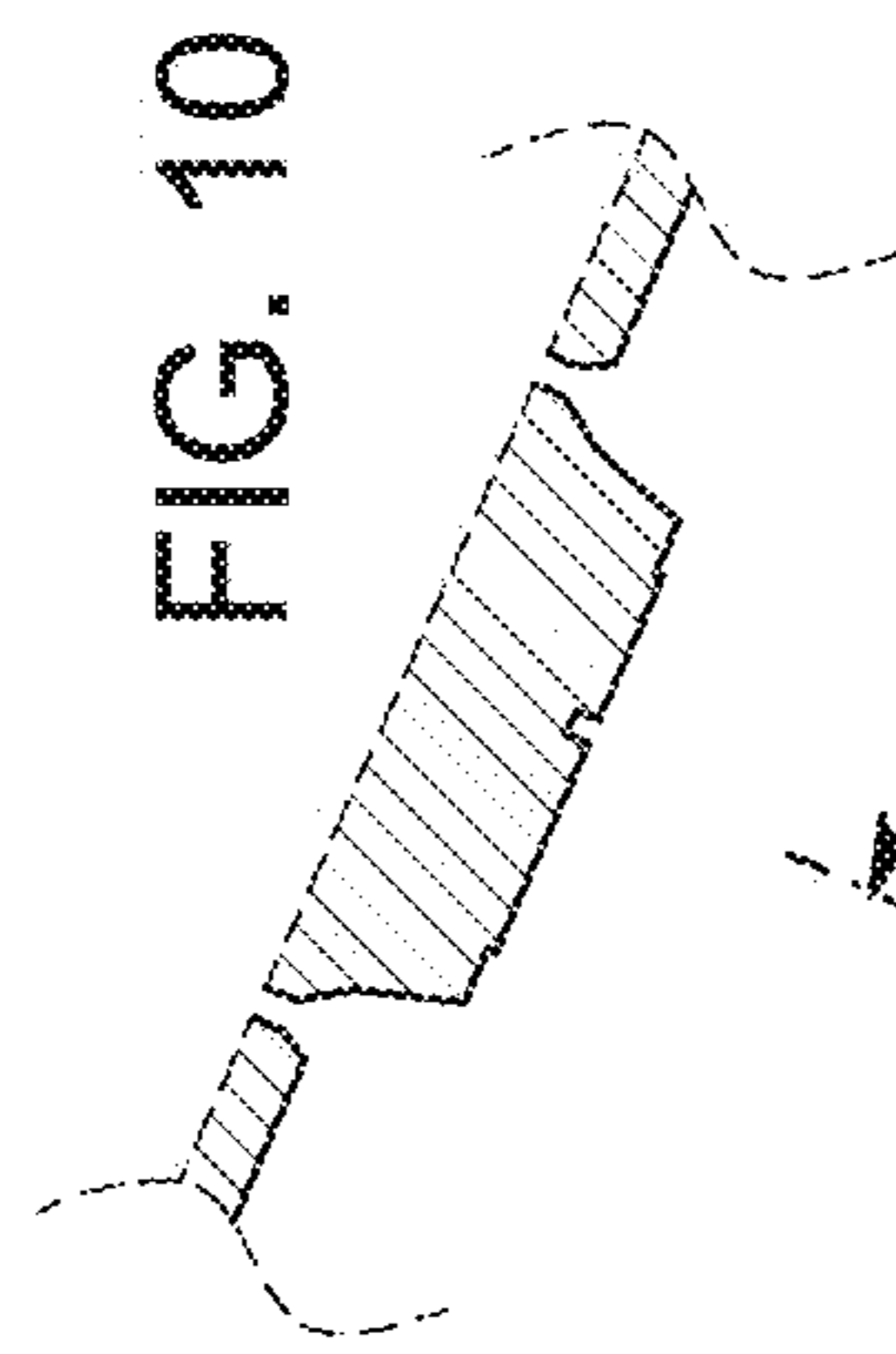


FIG. 12