



US00D889082S

(12) **United States Design Patent**
West

(10) **Patent No.:** **US D889,082 S**

(45) **Date of Patent:** **** Jul. 7, 2020**

(54) **PAIR OF HIGH HEEL SHOES**

(71) Applicant: **Kanye Omari West**, Calabasas, CA
(US)

(72) Inventor: **Kanye Omari West**, Calabasas, CA
(US)

(73) Assignee: **Mascotte Holdings, Inc.**, Calabasas,
CA (US)

(**) Term: **15 Years**

(21) Appl. No.: **29/663,655**

(22) Filed: **Sep. 18, 2018**

(51) **LOC (12) Cl.** **02-04**

(52) **U.S. Cl.**
USPC **D2/939; D2/929**

(58) **Field of Classification Search**
USPC D2/896, 900, 919-921, 925, 939, 947,
D2/950, 969, 971
CPC A43B 21/00; A43B 21/02; A43B 21/06;
A43B 9/14; A43B 1/0045; A43B 13/10;
A43B 13/12; A43B 23/06; A43B 23/07;
A43B 1/0036; A43B 5/12
See application file for complete search history.

(56) **References Cited**

U.S. PATENT DOCUMENTS

D91,531 S * 2/1934 Morali D2/930
D103,584 S * 3/1937 Oswald D2/930
D108,481 S * 2/1938 Parker D2/930

D119,325 S * 3/1940 Fein et al. D2/927
D622,045 S * 8/2010 Issler D2/971
D814,163 S * 4/2018 Issler D2/971
D831,949 S * 10/2018 De Nubbio D2/971
D858,957 S * 9/2019 Sciutto D2/930
D862,050 S * 10/2019 Hardy D2/930

* cited by examiner

Primary Examiner — Dominic V Simone

(74) *Attorney, Agent, or Firm* — Pryor Cashman LLP

(57) **CLAIM**

The ornamental design for a pair of high heel shoes, as shown and described.

DESCRIPTION

FIG. 1 is a perspective view of a right high heel shoe of the pair of high heel shoes;
FIG. 2 is a right side view of the right high heel shoe of the pair of high heel shoes;
FIG. 3 is a left side view of the right high heel shoe of the pair of high heel shoes;
FIG. 4 is a perspective view of a left high heel shoe of the pair of high heel shoes;
FIG. 5 is a right side view of the left high heel shoe of the pair of high heel shoes;
FIG. 6 is a left side view of the left high heel shoe of the pair of high heel shoes;
FIG. 7 is a front view of the pair of high heel shoes;
FIG. 8 is a back view of the pair of high heel shoes;
FIG. 9 is a top view of the pair of high heel shoes; and,
FIG. 10 is a bottom view of the pair of high heel shoes.

1 Claim, 10 Drawing Sheets

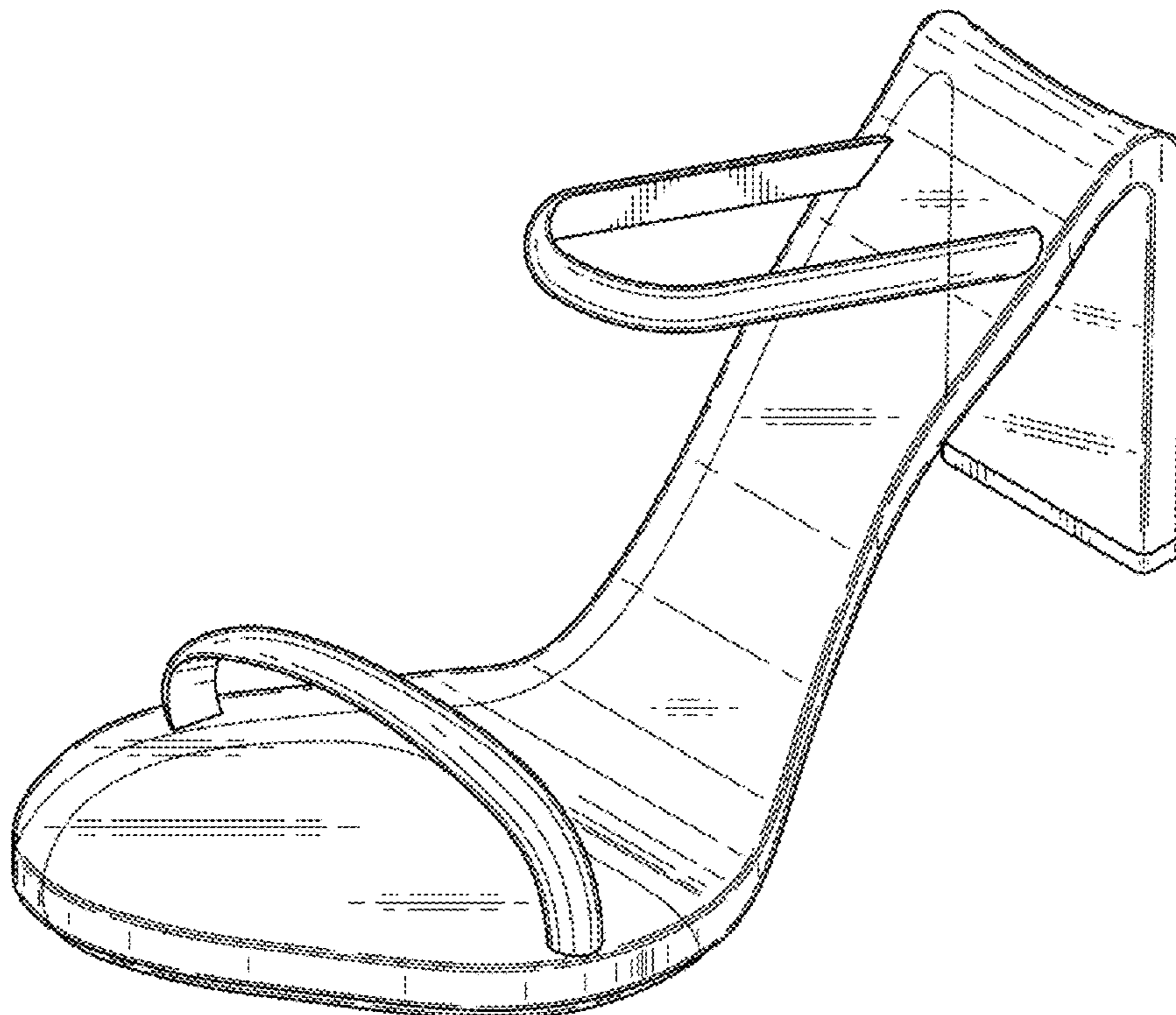


Figure 1

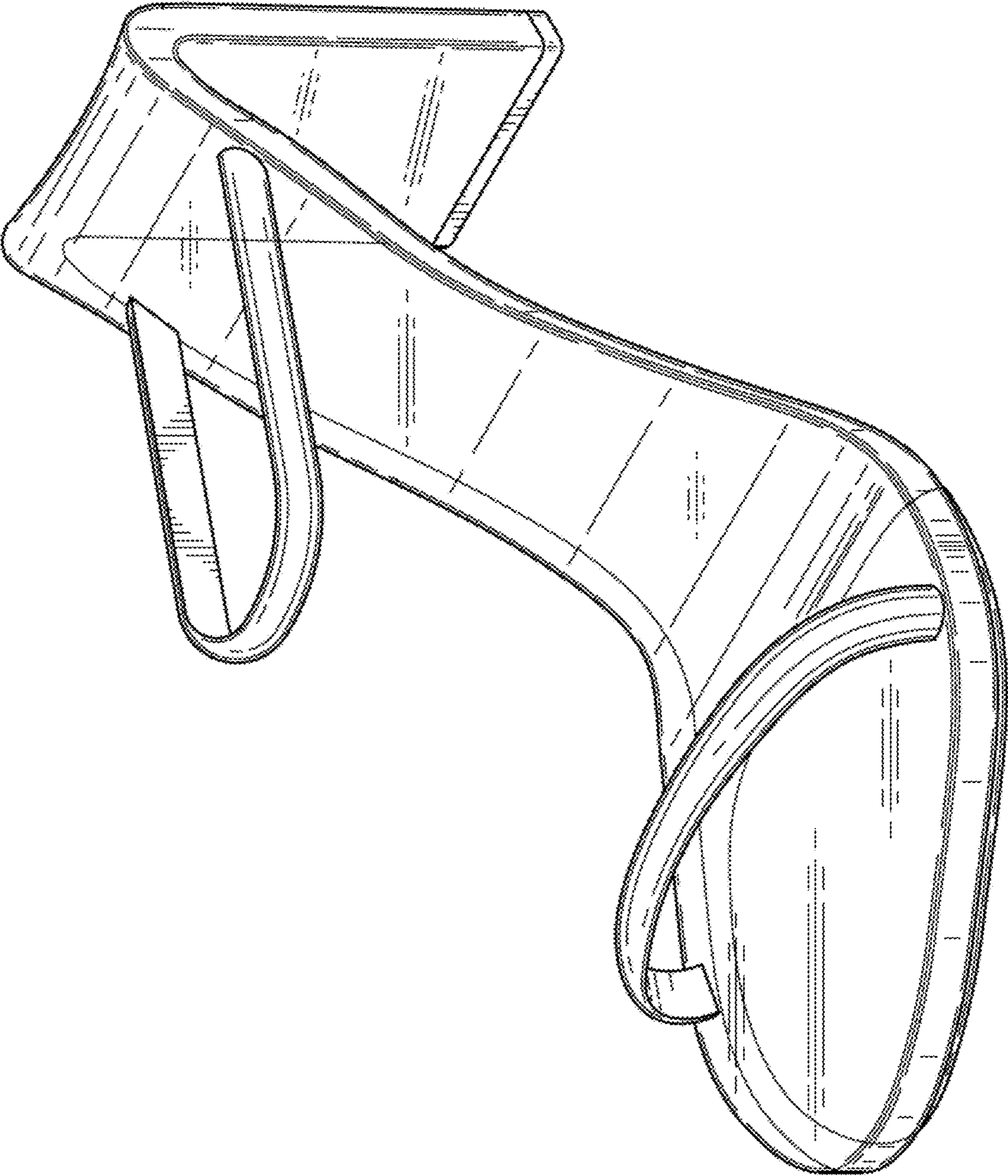
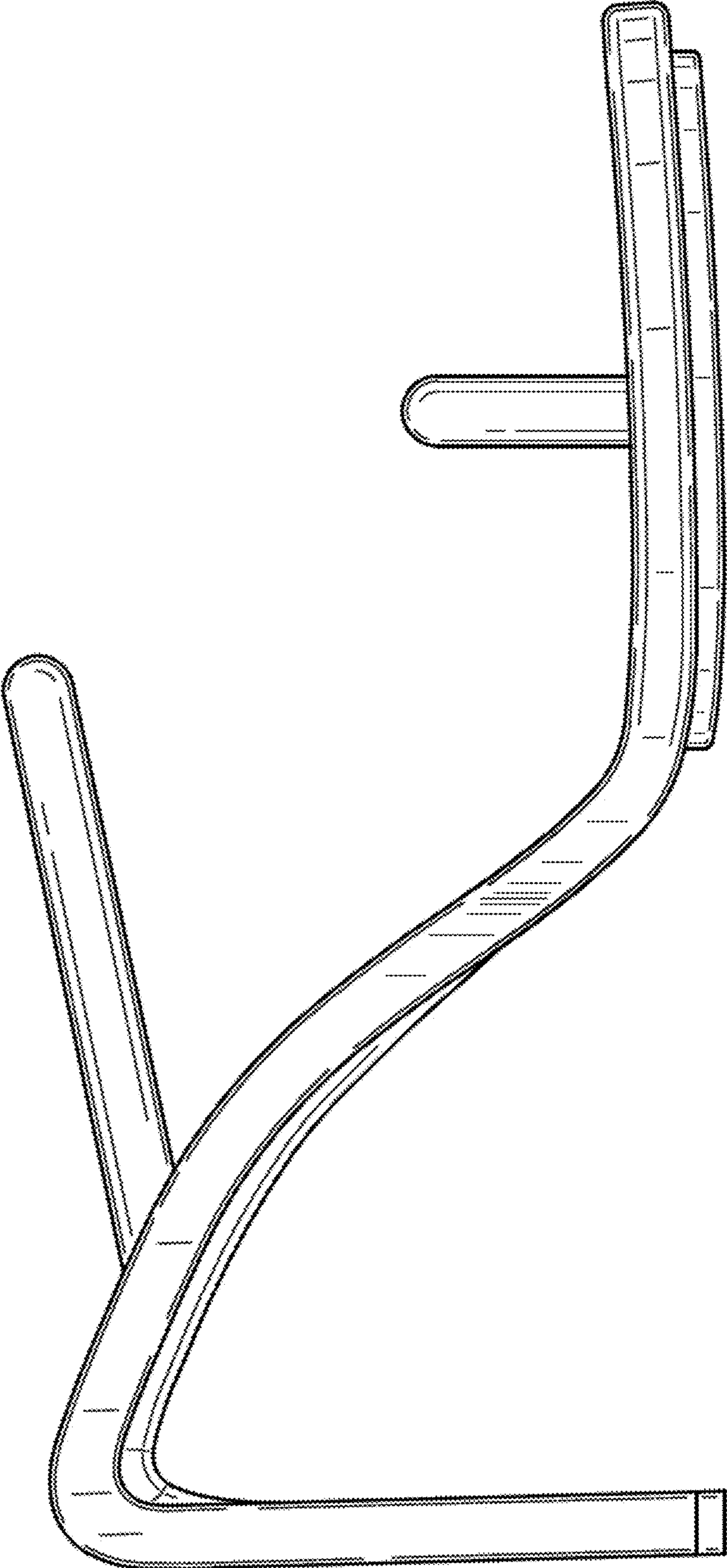


Figure 2



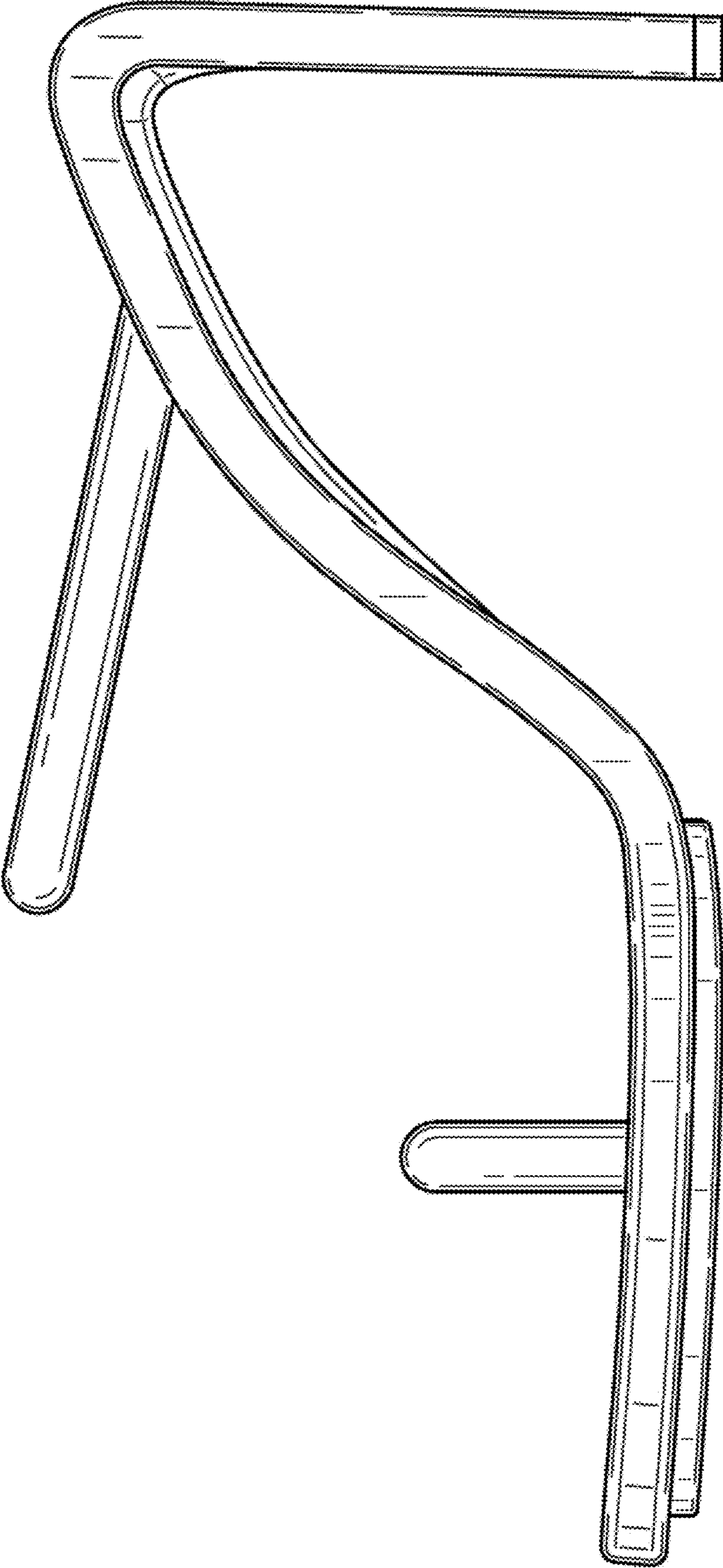


Figure 3

Figure 4

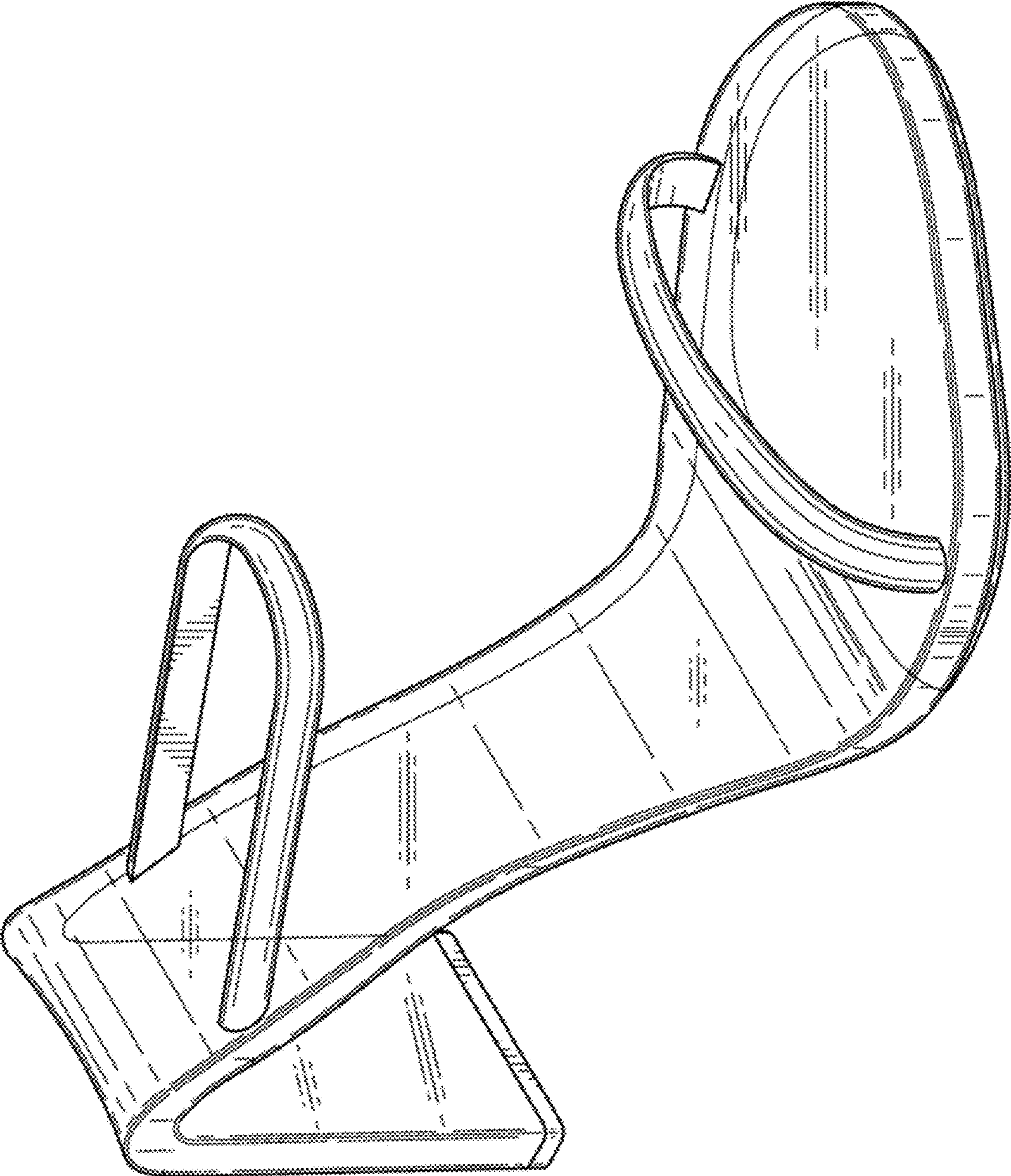


Figure 5

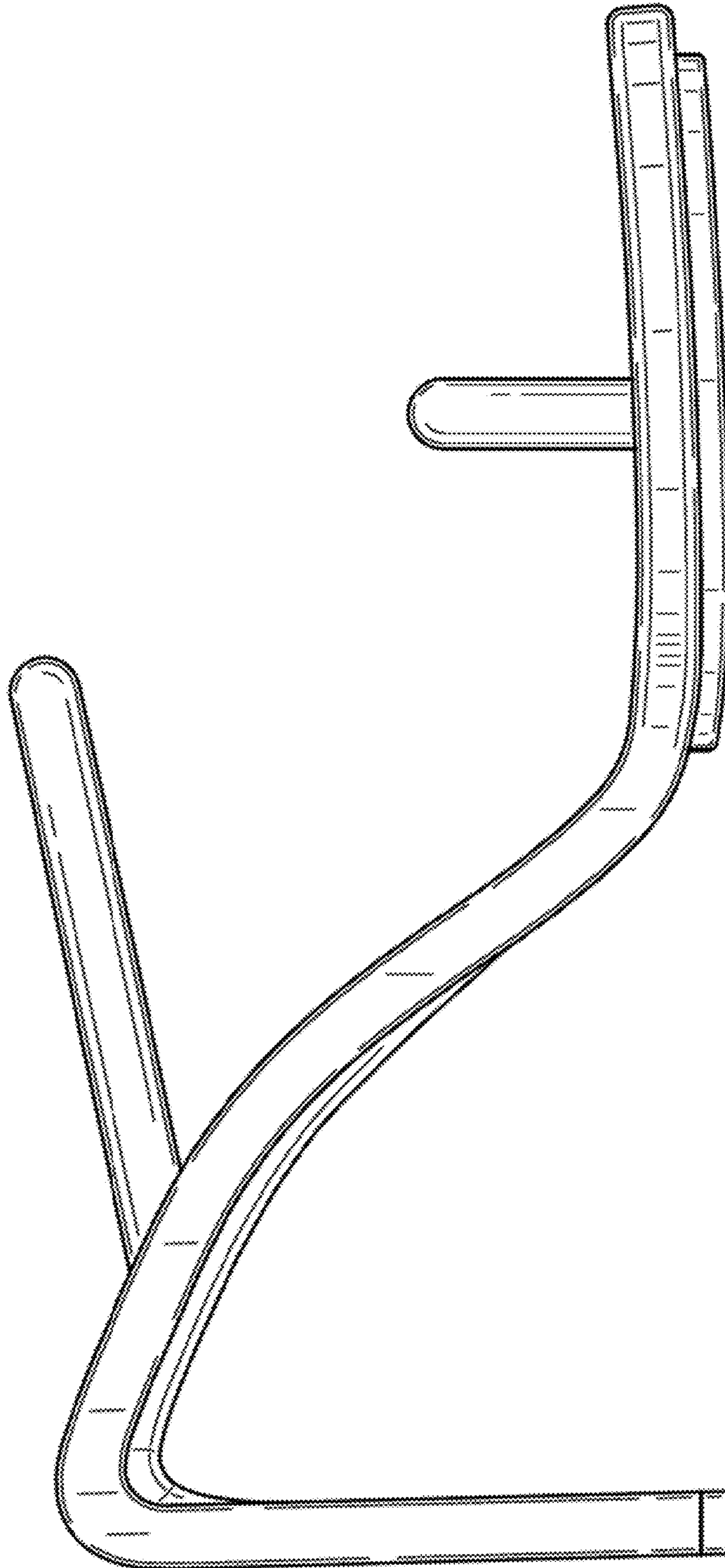
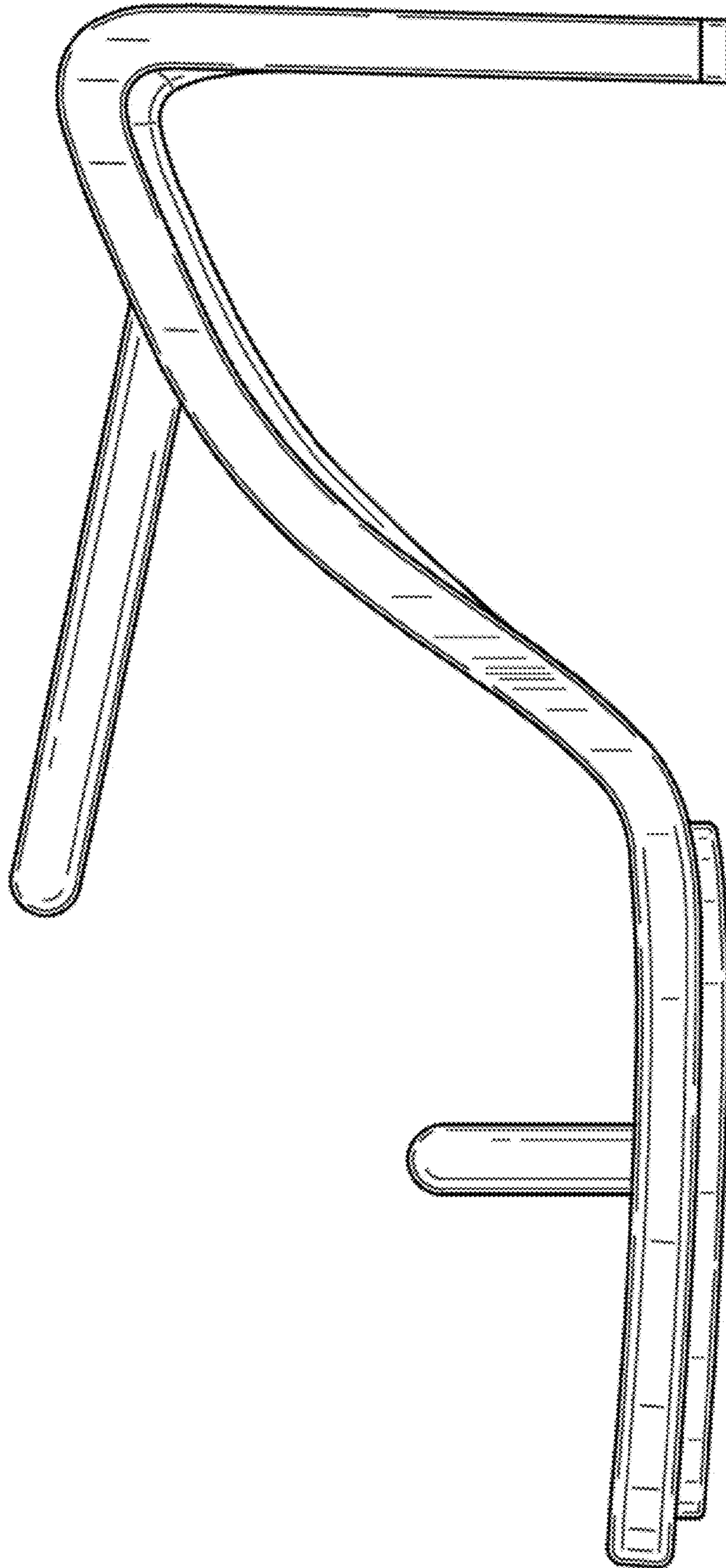


Figure 6



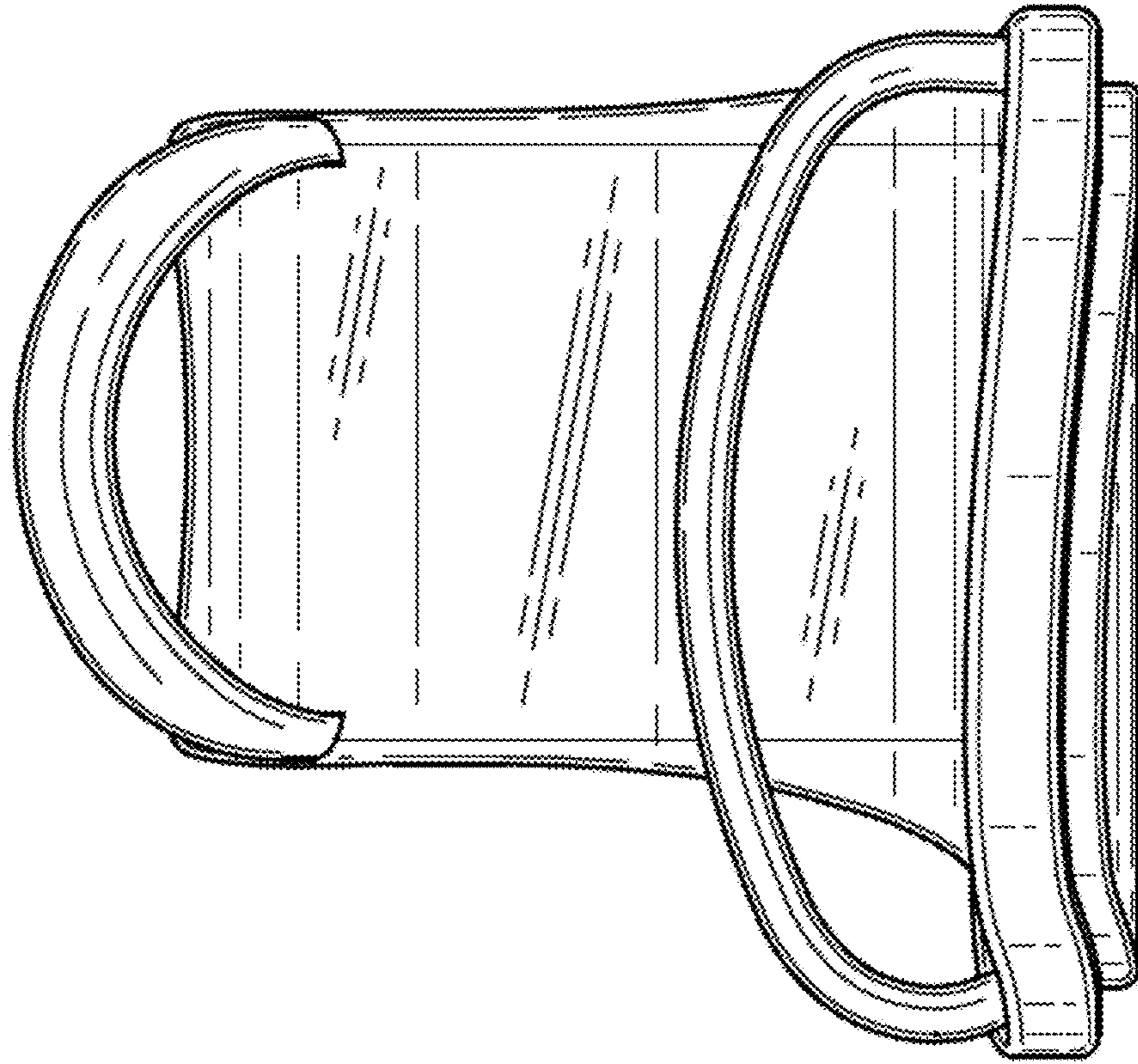
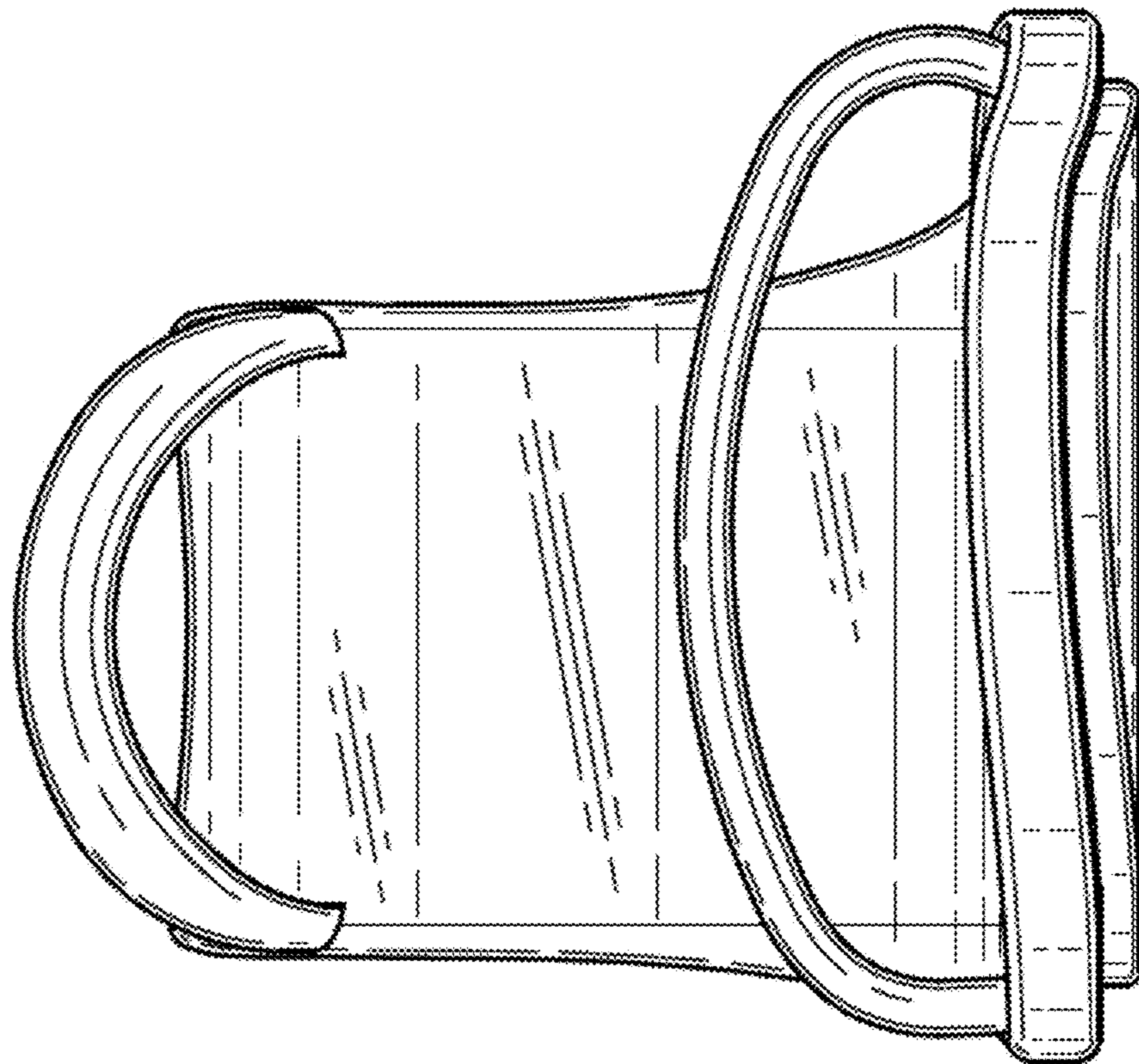


Figure 7



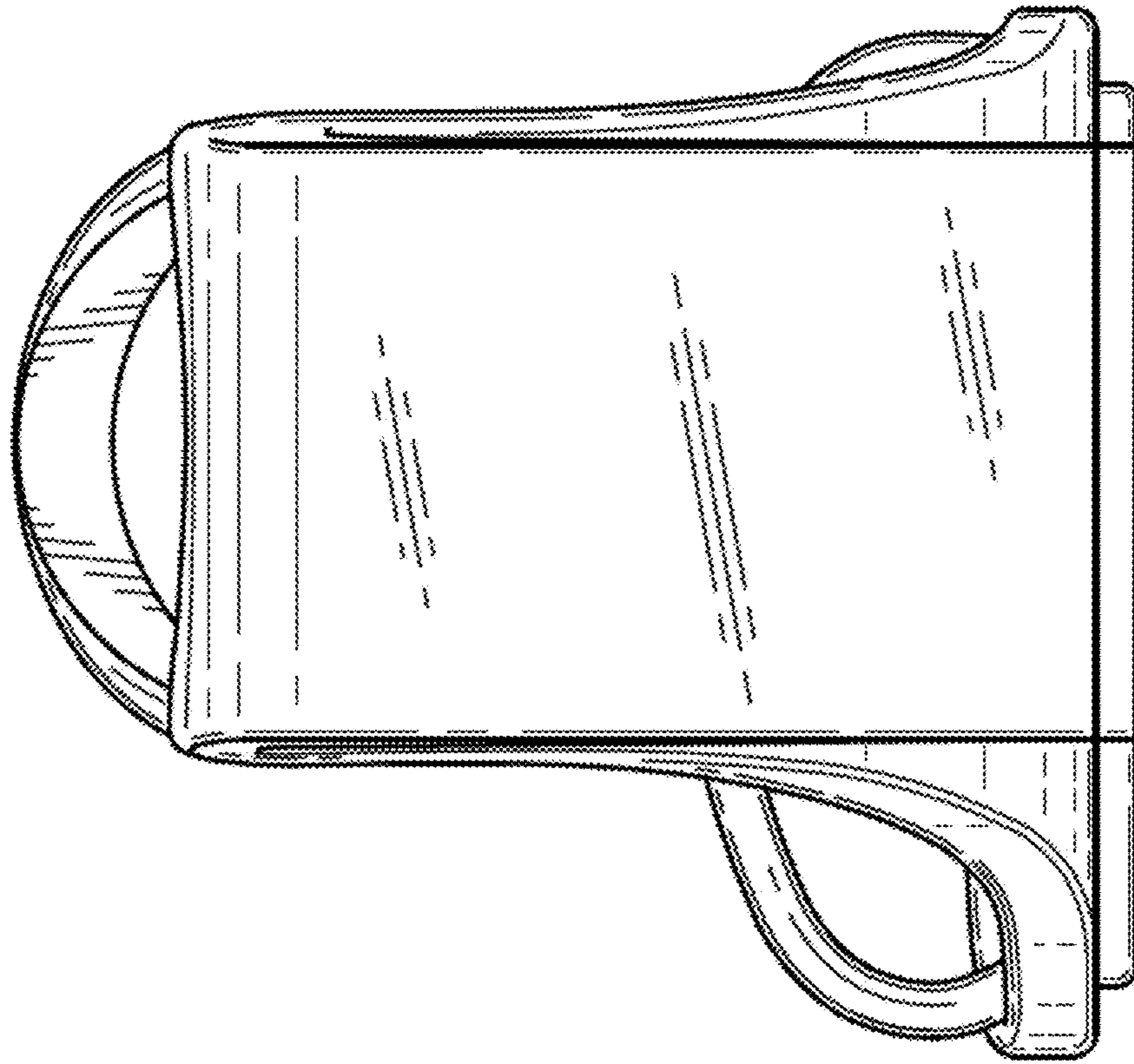


Figure 8

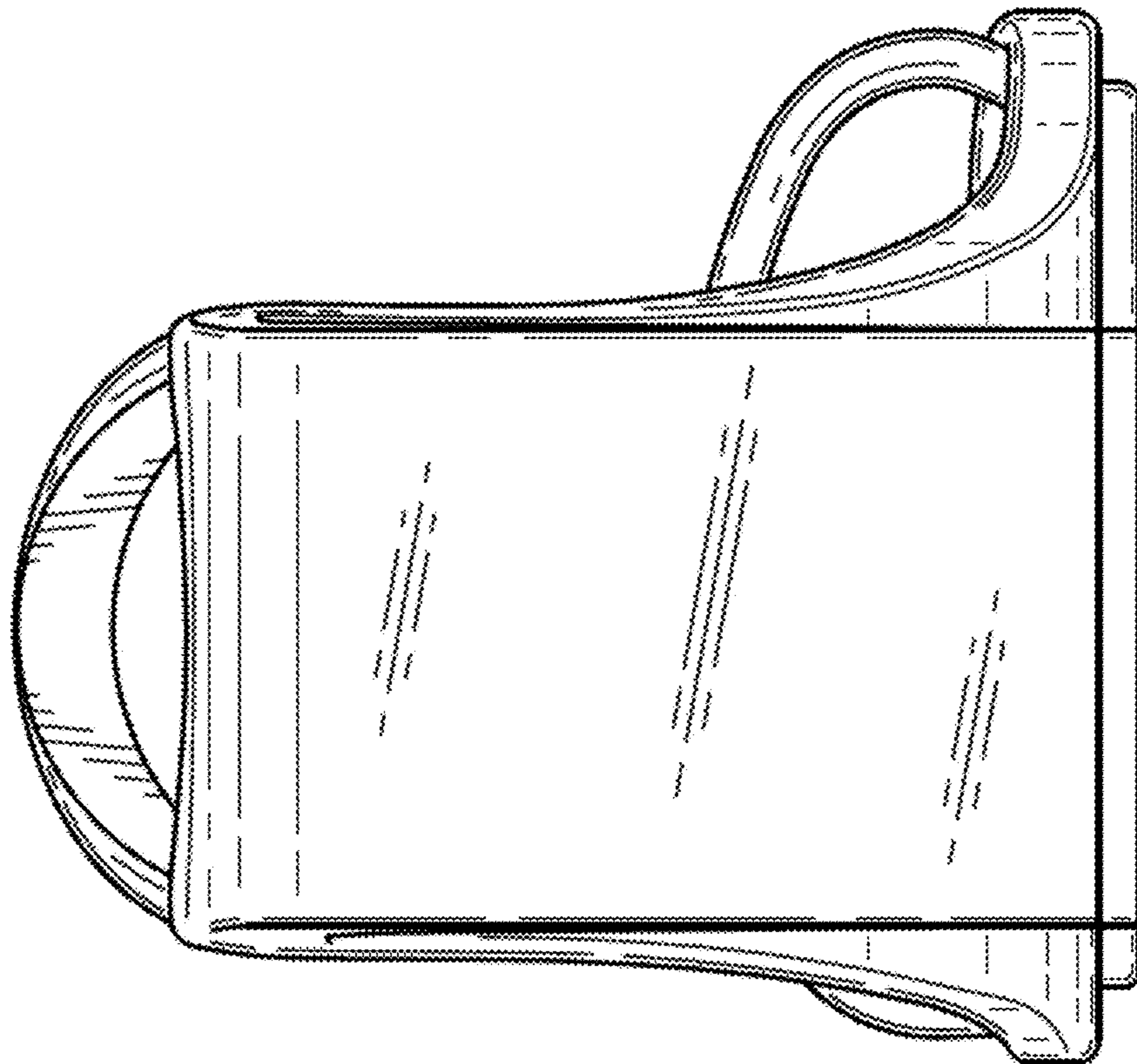
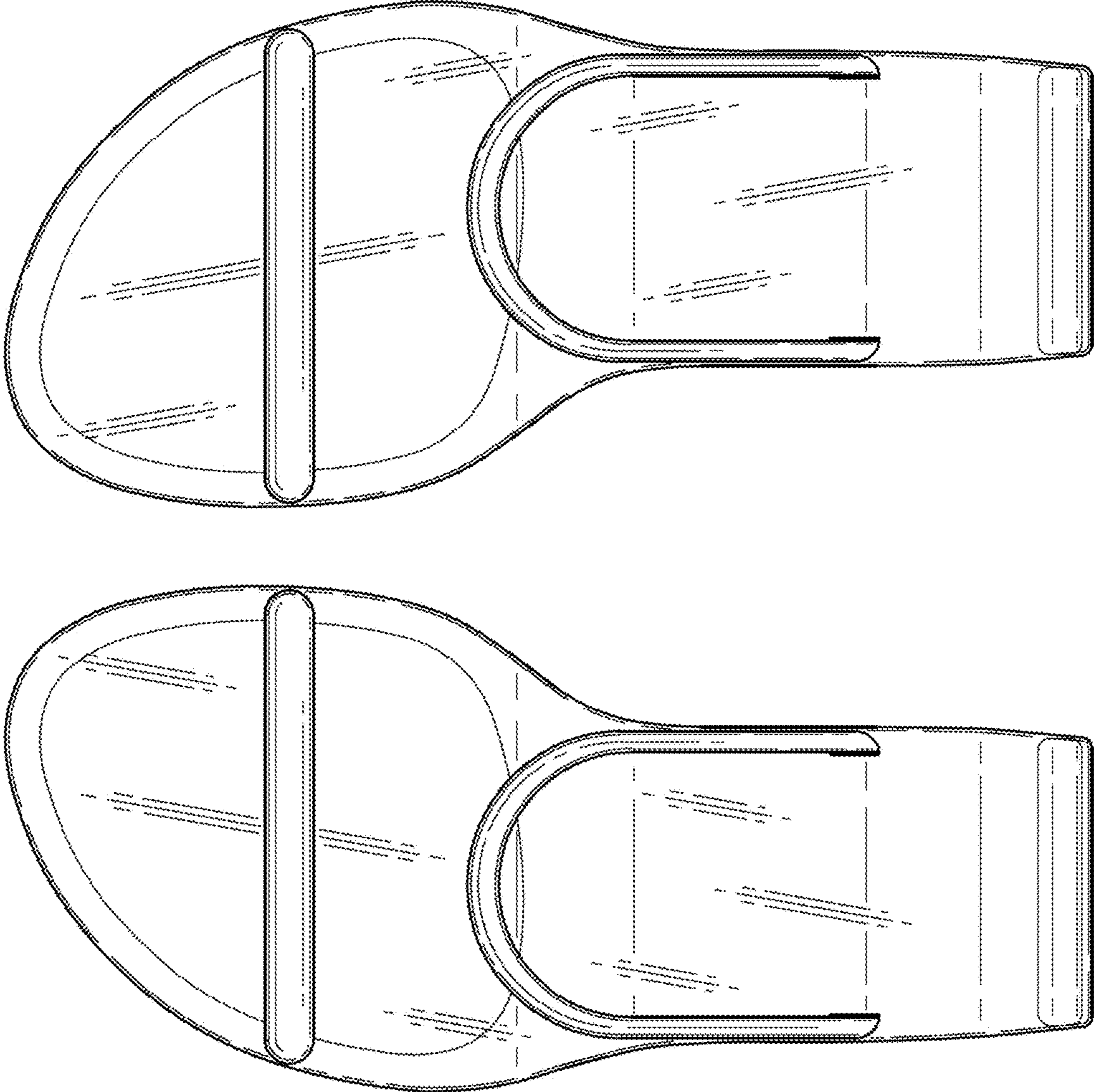


Figure 9



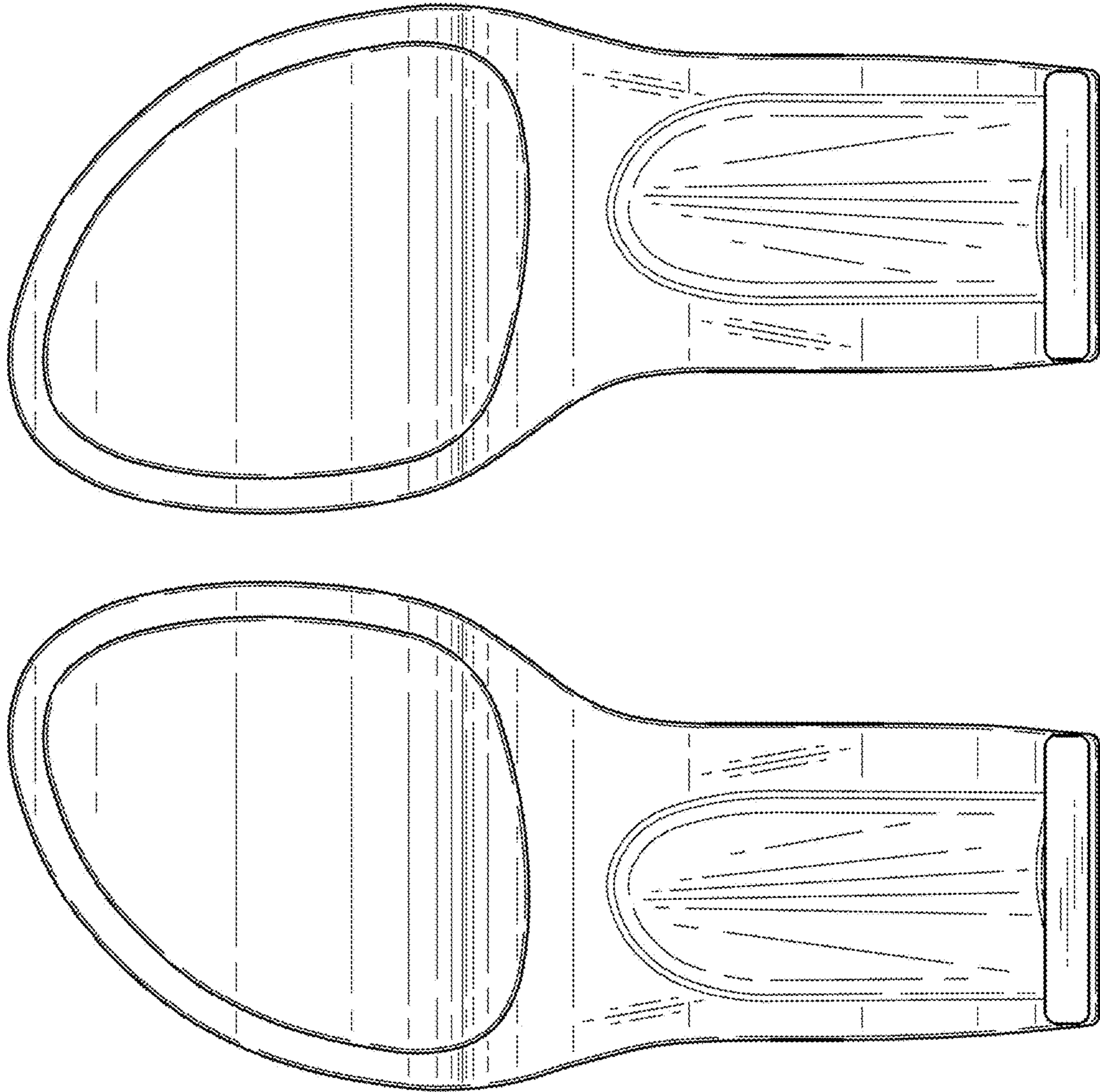


Figure 10