



US00D889065S

(12) **United States Design Patent**
Marsiano et al.

(10) **Patent No.:** **US D889,065 S**

(45) **Date of Patent:** **** Jun. 30, 2020**

- (54) **LIGHTED MAILBOX**
- (71) Applicants: **Ofir Marsiano**, Pigeon Forge, TN (US);
Yoav Koenig, Knoxville, TN (US)
- (72) Inventors: **Ofir Marsiano**, Pigeon Forge, TN (US);
Yoav Koenig, Knoxville, TN (US)
- (**) Term: **15 Years**
- (21) Appl. No.: **29/657,940**
- (22) Filed: **Jul. 26, 2018**
- (51) **LOC (12) Cl.** **99-00**
- (52) **U.S. Cl.**
USPC **D99/29**
- (58) **Field of Classification Search**
USPC D99/28, 29, 30, 31, 32, 43, 99; D3/201,
D3/272, 273, 274, 275; D26/4, 51, 57,
D26/93, 94; 312/35; 232/1 R, 1 A, 1 C,
232/1 D, 4 R, 2, 17, 19, 20, 21, 22, 24,
232/27, 30, 31, 37, 38, 39, 44, 45
CPC A47G 29/12; A47G 29/1201; A47G
29/1203; A47G 29/1205; A47G 29/1207;
A47G 29/1209; A47G 29/121; A47G
29/1212; A47G 29/1214; A47G 29/1216;
A47G 29/1218; A47G 29/122; A47G
29/1225; A47G 29/16; A47G 29/00
See application file for complete search history.

- 4,950,202 A * 8/1990 Florio A63H 33/30
232/17
- D315,821 S * 3/1991 Lorenzi D99/29
- 5,449,111 A * 9/1995 Sauzedde A47G 29/1209
232/17
- 5,460,325 A * 10/1995 Surman A47G 29/1209
232/17
- D365,189 S * 12/1995 Dennis D99/29
- D376,249 S * 12/1996 Bunch D99/29
- D376,463 S * 12/1996 Polley D99/29

(Continued)

Primary Examiner — Elizabeth J Oswecki
(74) *Attorney, Agent, or Firm* — Knox Patents; Thomas
A. Kulaga

(57) **CLAIM**

The ornamental design for a lighted mailbox, as shown and described.

DESCRIPTION

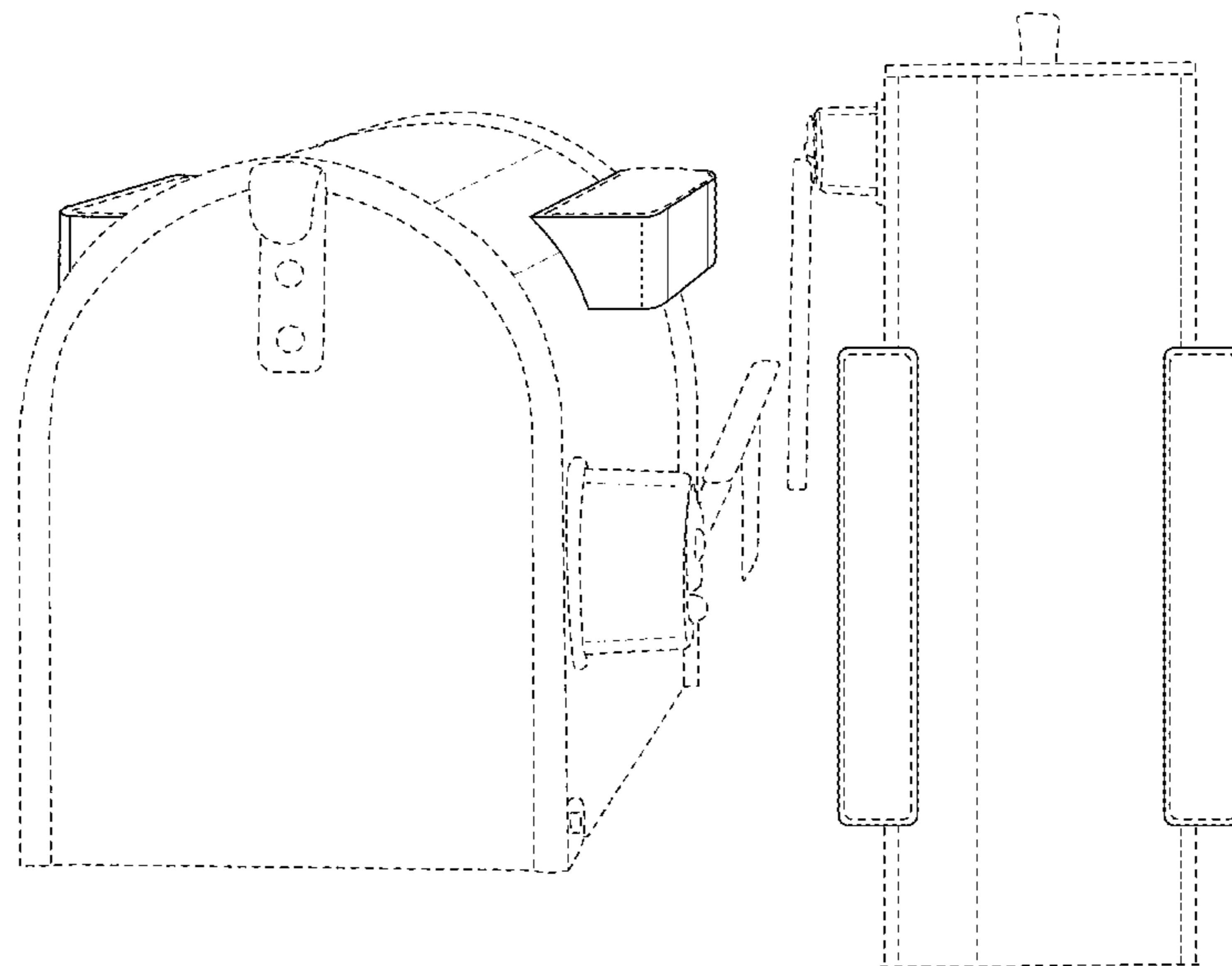
FIG. 1 is a perspective view of a first embodiment of a lighted mailbox, showing our new design;
 FIG. 2 is a top view of FIG. 1;
 FIG. 3 is a bottom view of FIG. 1;
 FIG. 4 is a left side view of FIG. 1;
 FIG. 5 is a right side view of FIG. 1;
 FIG. 6 is a front view of FIG. 1;
 FIG. 7 is a back view of FIG. 1;
 FIG. 8 is a perspective view of a second embodiment of a lighted mailbox, showing our new design;
 FIG. 9 is a top view of FIG. 8;
 FIG. 10 is a bottom view of FIG. 8;
 FIG. 11 is a left view of FIG. 8;
 FIG. 12 is a right view of FIG. 8;
 FIG. 13 is a front view of FIG. 8; and,
 FIG. 14 is a back view of FIG. 8.
 The broken lines illustrate portions of the lighted mailbox that form no part of the claimed design.

(56) **References Cited**

U.S. PATENT DOCUMENTS

- 1,819,398 A * 8/1931 Wegehof A47G 29/122
362/154
- D278,469 S * 4/1985 Ross D99/29
- 4,648,012 A * 3/1987 Pittman, II A47G 29/1209
232/17
- 4,755,915 A * 7/1988 Rogers A47G 29/1209
362/155
- 4,848,650 A * 7/1989 Roberts, II A47G 29/1209
232/17

1 Claim, 14 Drawing Sheets



(56)

References Cited

U.S. PATENT DOCUMENTS

5,664,729 A *	9/1997	Ladewig	A47G 29/1209	232/39	D477,449 S *	7/2003	South	D99/29
D385,677 S *	10/1997	Vivirito, Jr.	D99/29		D477,450 S *	7/2003	South	D99/29
D390,328 S *	2/1998	Barton, Jr.	D99/29		6,601,968 B2 *	8/2003	Voacolo	A47G 29/1209
5,813,749 A *	9/1998	Sheldon	A47G 29/1209	362/155					
D413,704 S *	9/1999	Metchear, III	D99/29		6,601,969 B2 *	8/2003	Barton	A47G 29/1209
5,975,713 A *	11/1999	Brothers	A47G 29/1209	362/154	D480,199 S *	9/2003	Dineen	D99/29
						D482,178 S *	11/2003	South	D99/29
6,033,084 A *	3/2000	Burke	A47G 29/1212	362/155	D482,179 S *	11/2003	South	D99/29
						6,666,372 B1 *	12/2003	Nagel	A47G 29/1209
6,102,548 A *	8/2000	Mantle	A47G 29/1209	232/13					
						D485,418 S *	1/2004	Cano	D99/29
D445,988 S *	7/2001	Gaines	D99/29		D493,937 S *	8/2004	Dillilo	D99/29
D452,358 S *	12/2001	Lackey	D99/29		6,953,258 B1 *	10/2005	Goins	A47G 29/1209
D474,321 S *	5/2003	Colgate	D99/29						
D476,791 S *	7/2003	South	D99/29		7,018,069 B1 *	3/2006	Barton	A47G 29/1209
						D617,975 S *	6/2010	Koslak	D99/29
						D727,589 S *	4/2015	Amato	D99/29

* cited by examiner

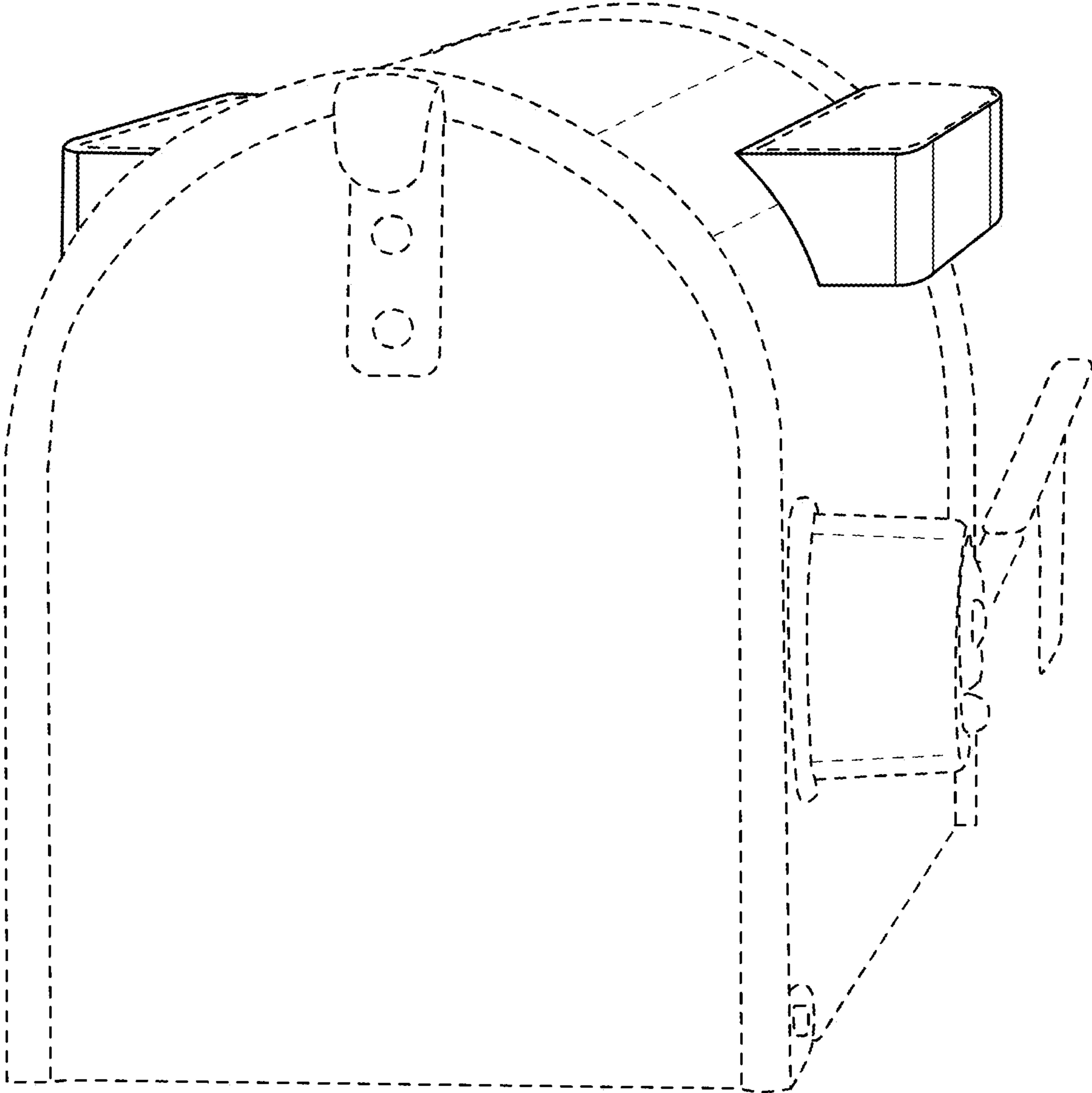


Fig. 1

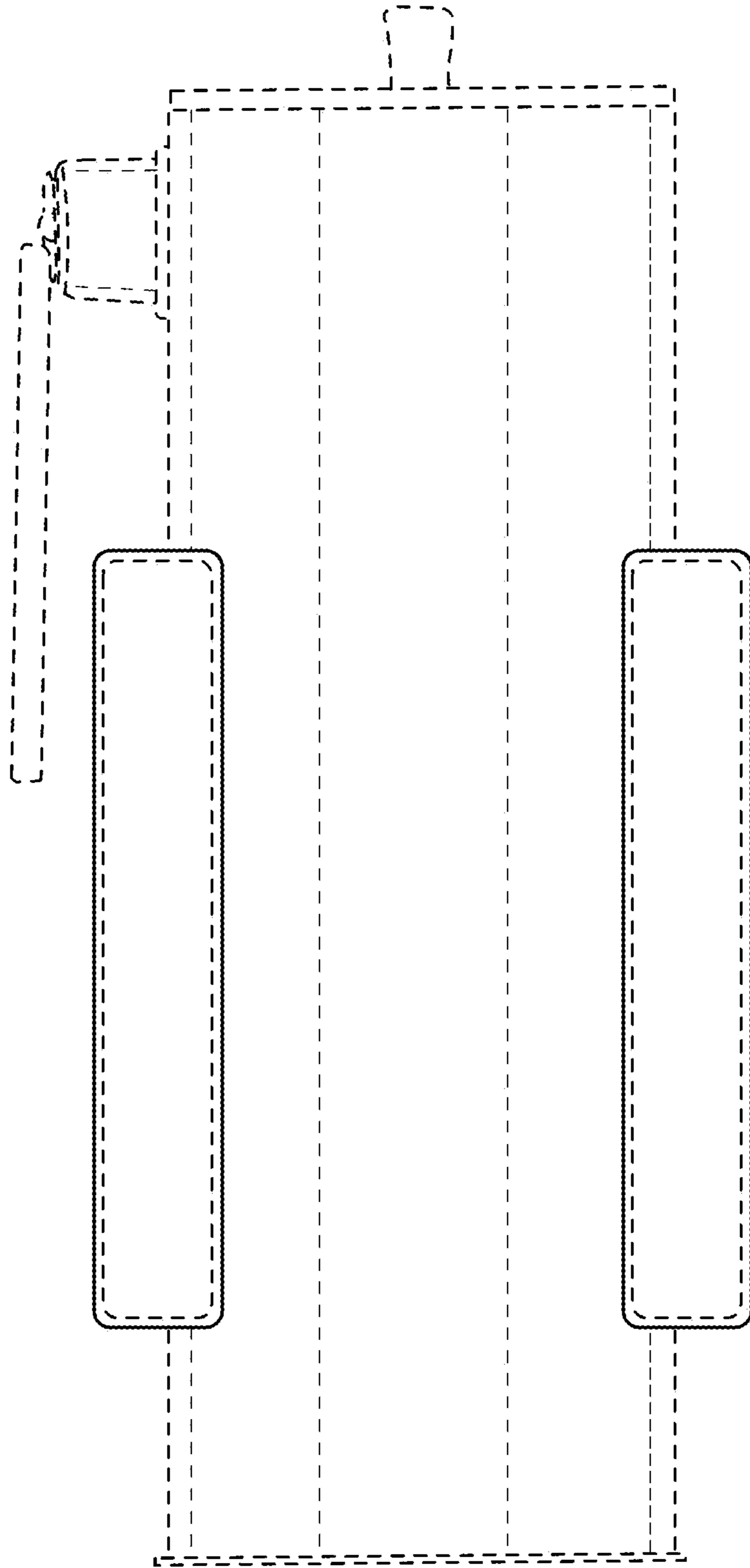


Fig. 2

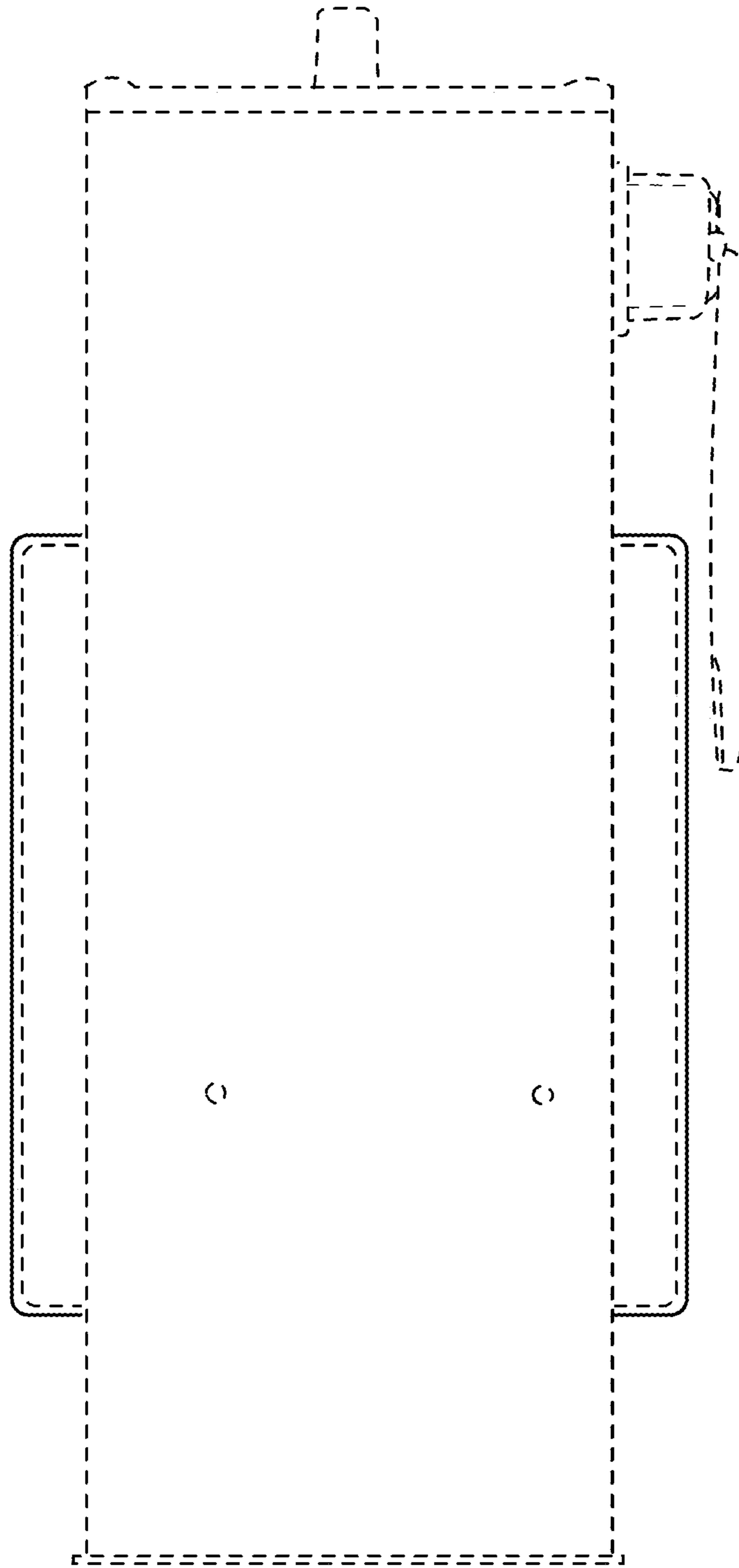


Fig. 3

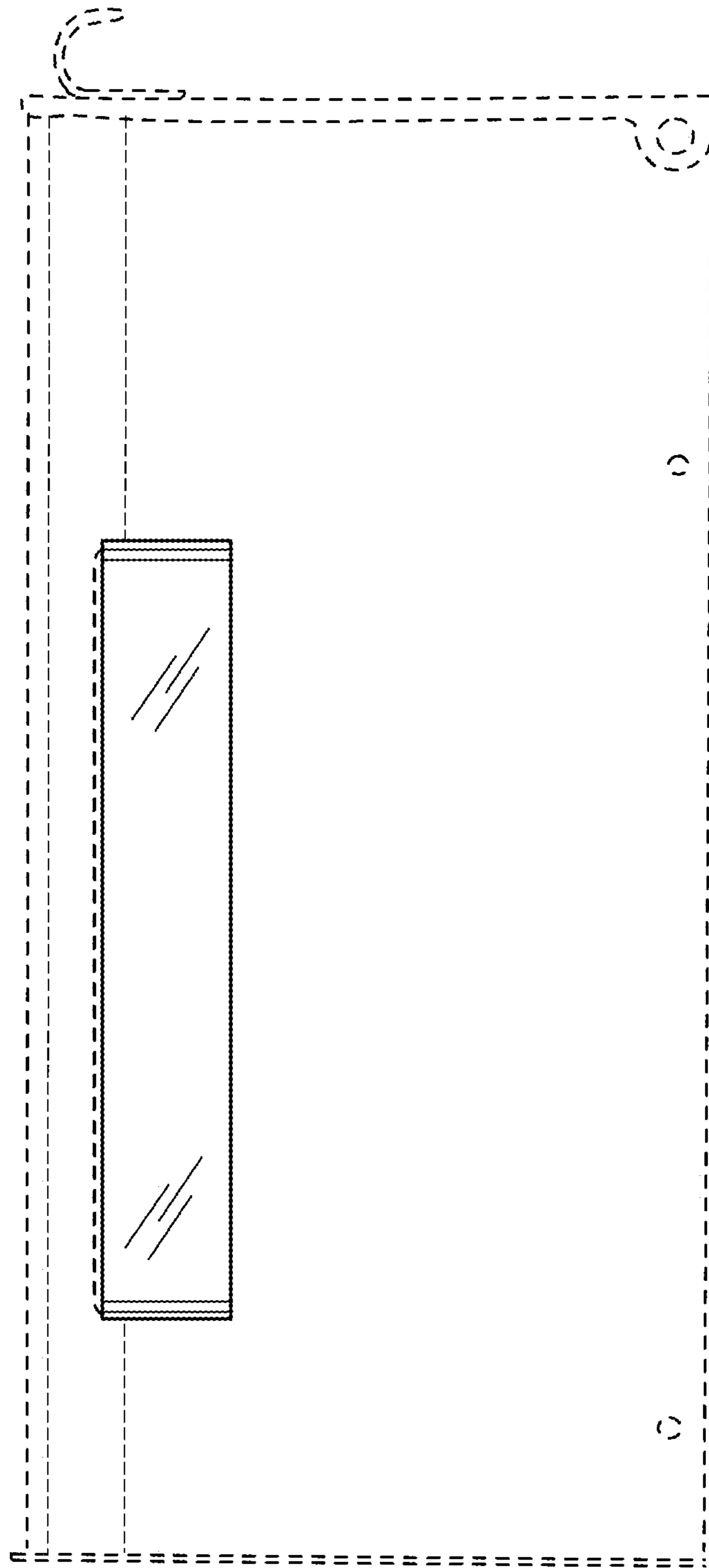


Fig. 4

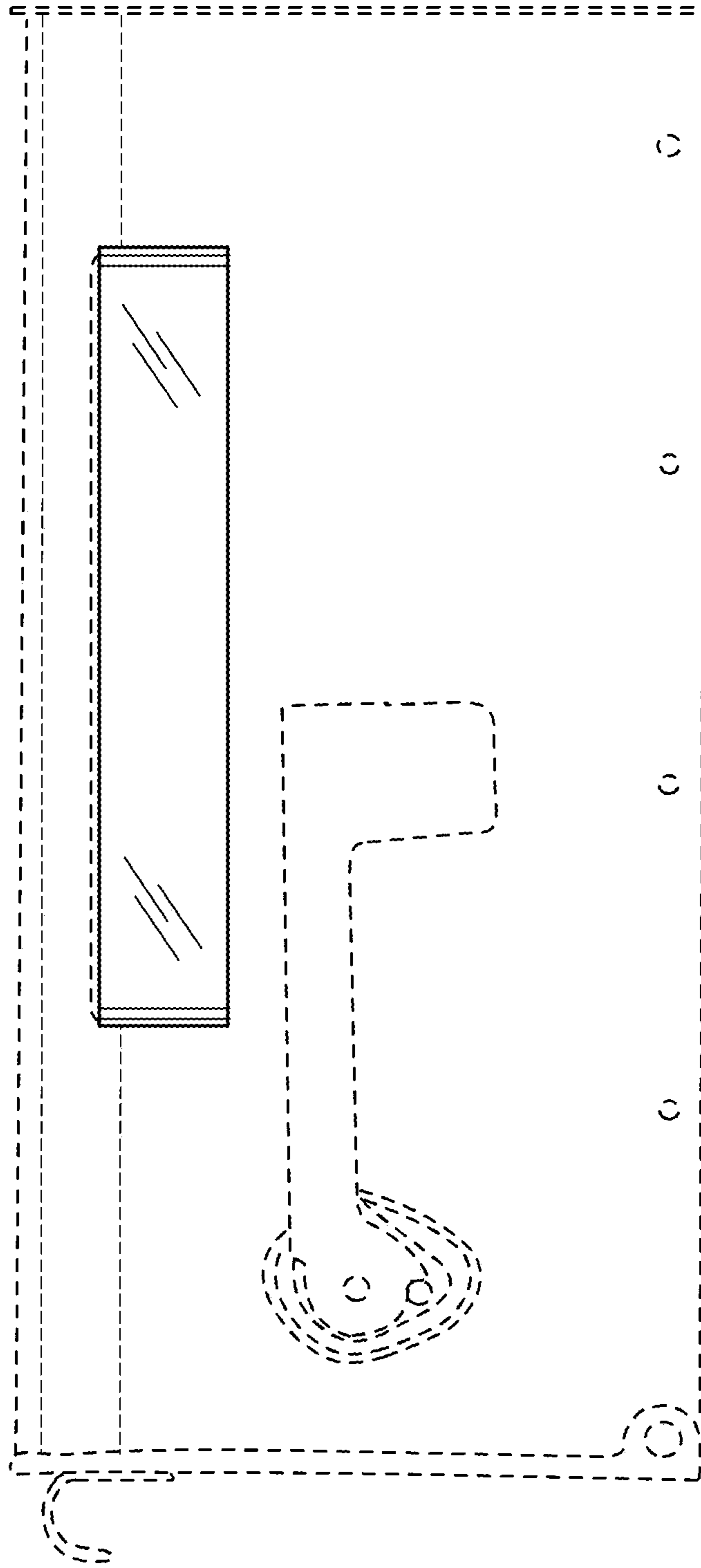


Fig. 5

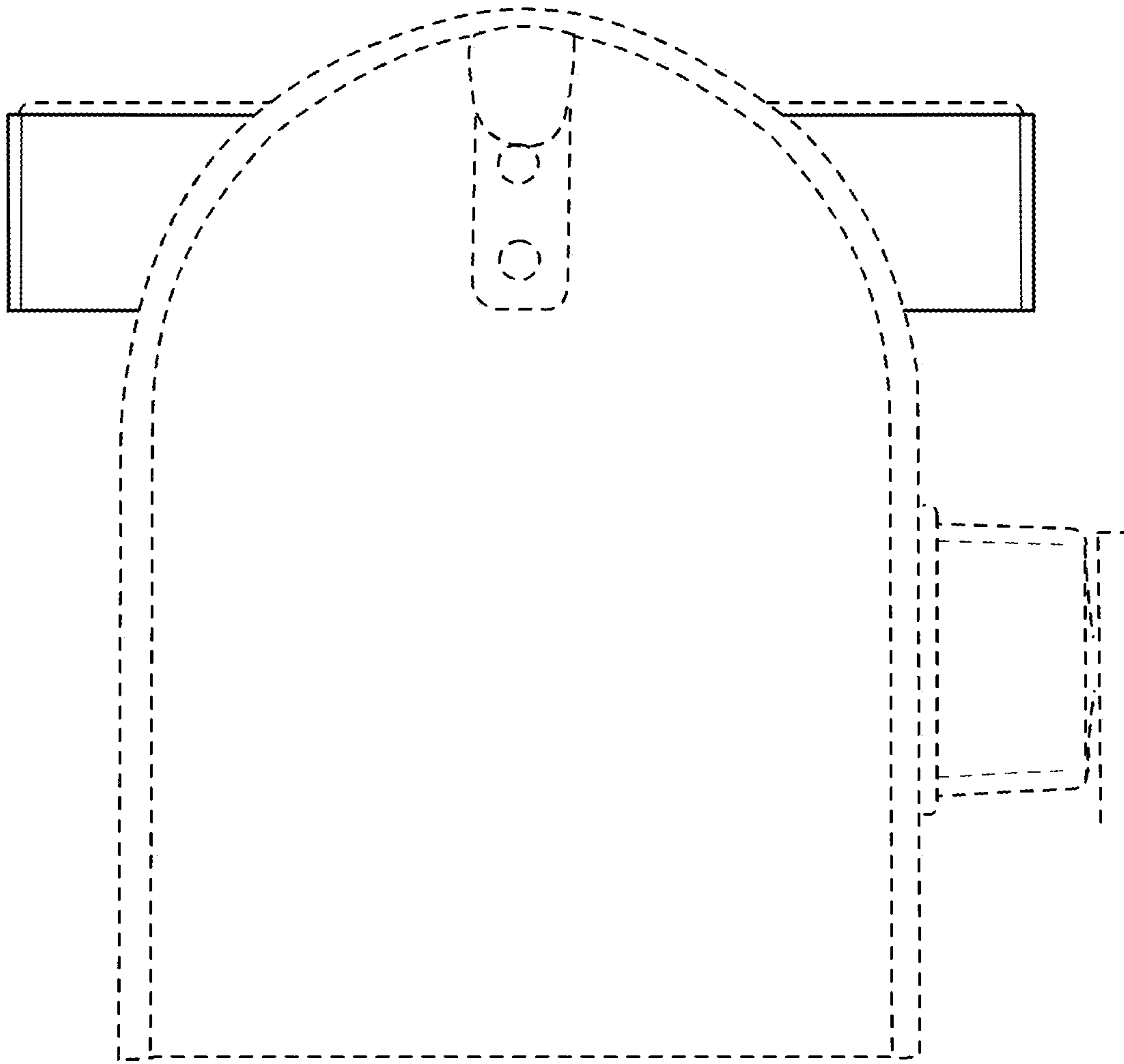


Fig. 6

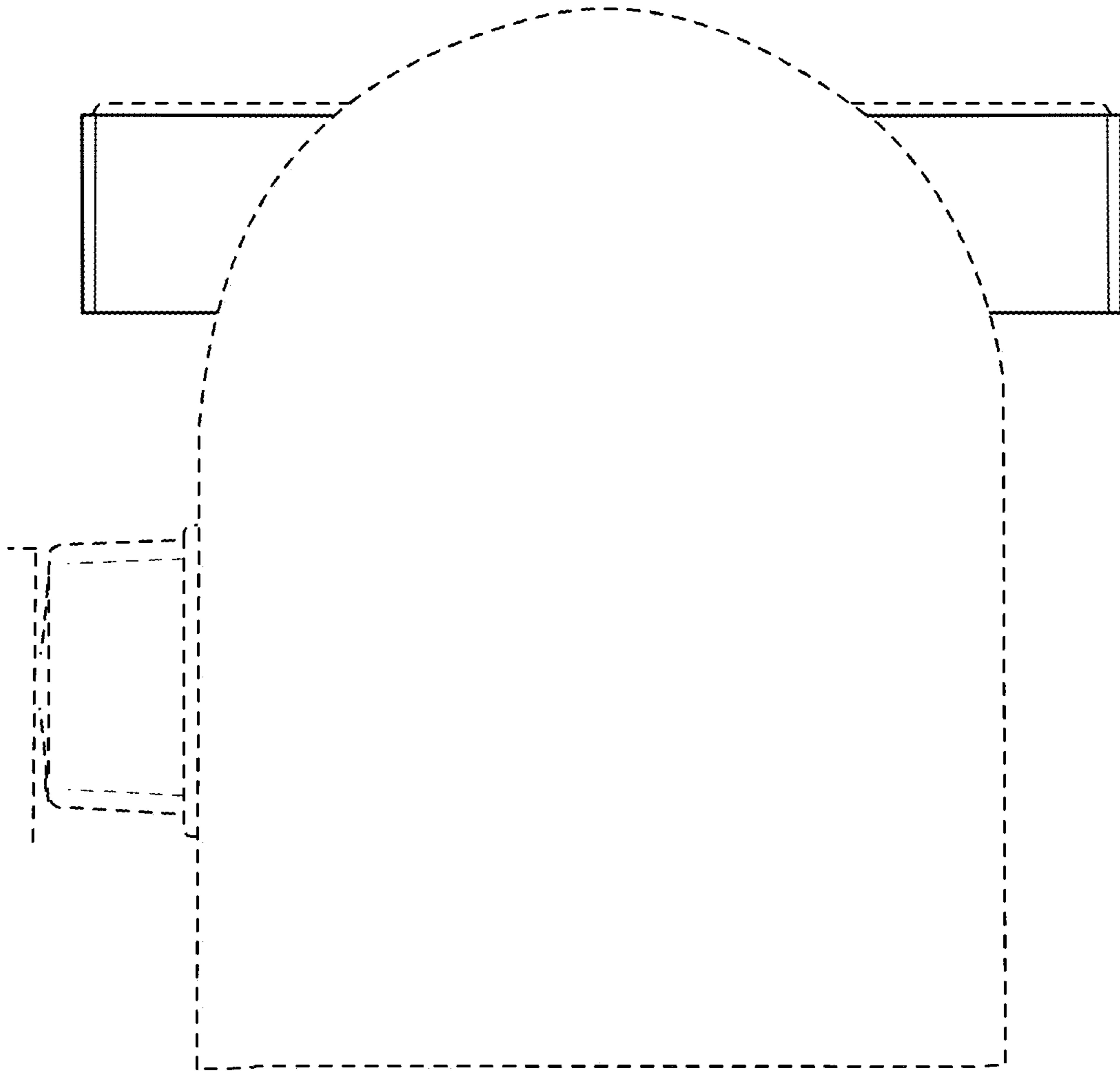


Fig. 7

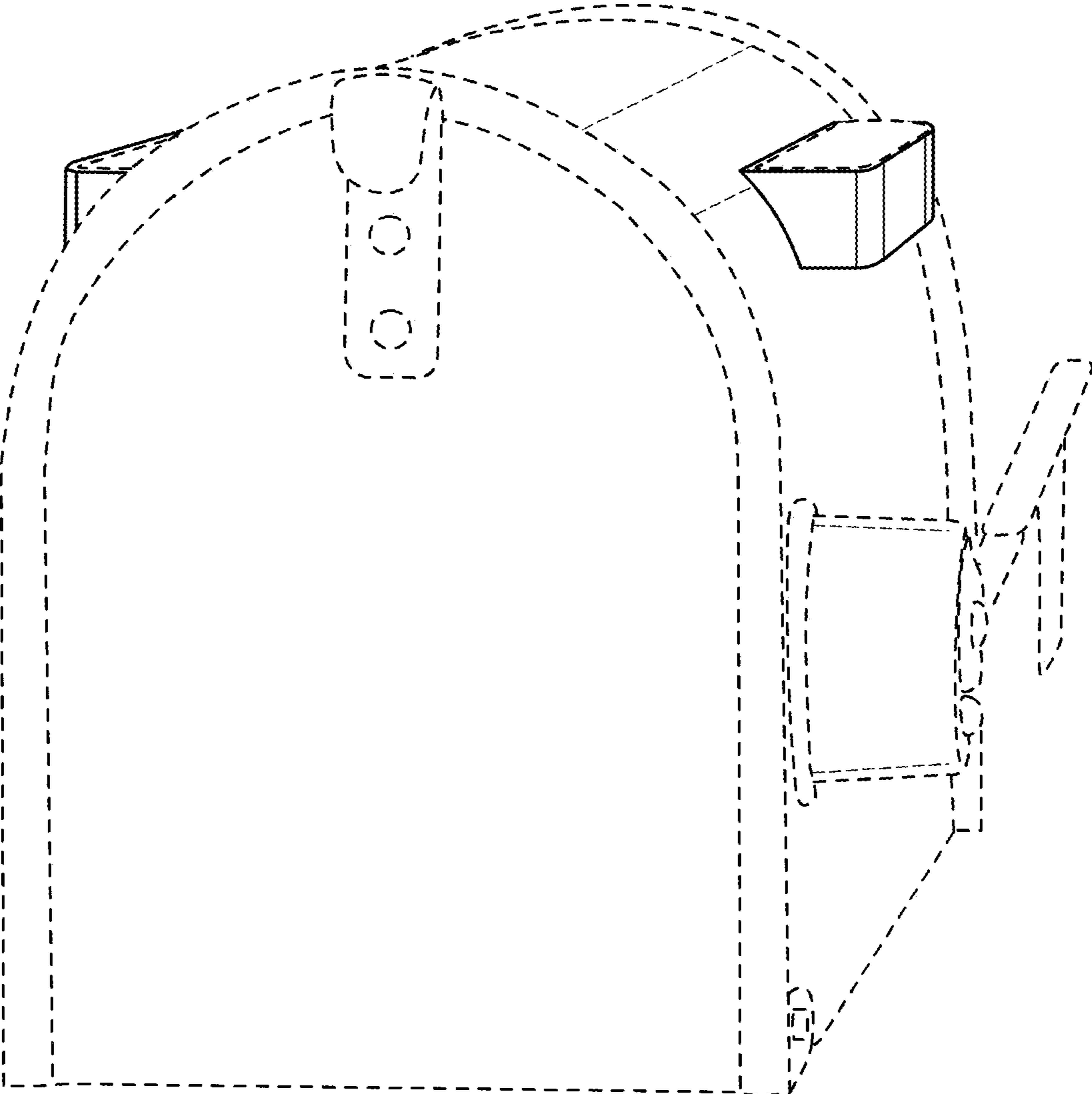


Fig. 8

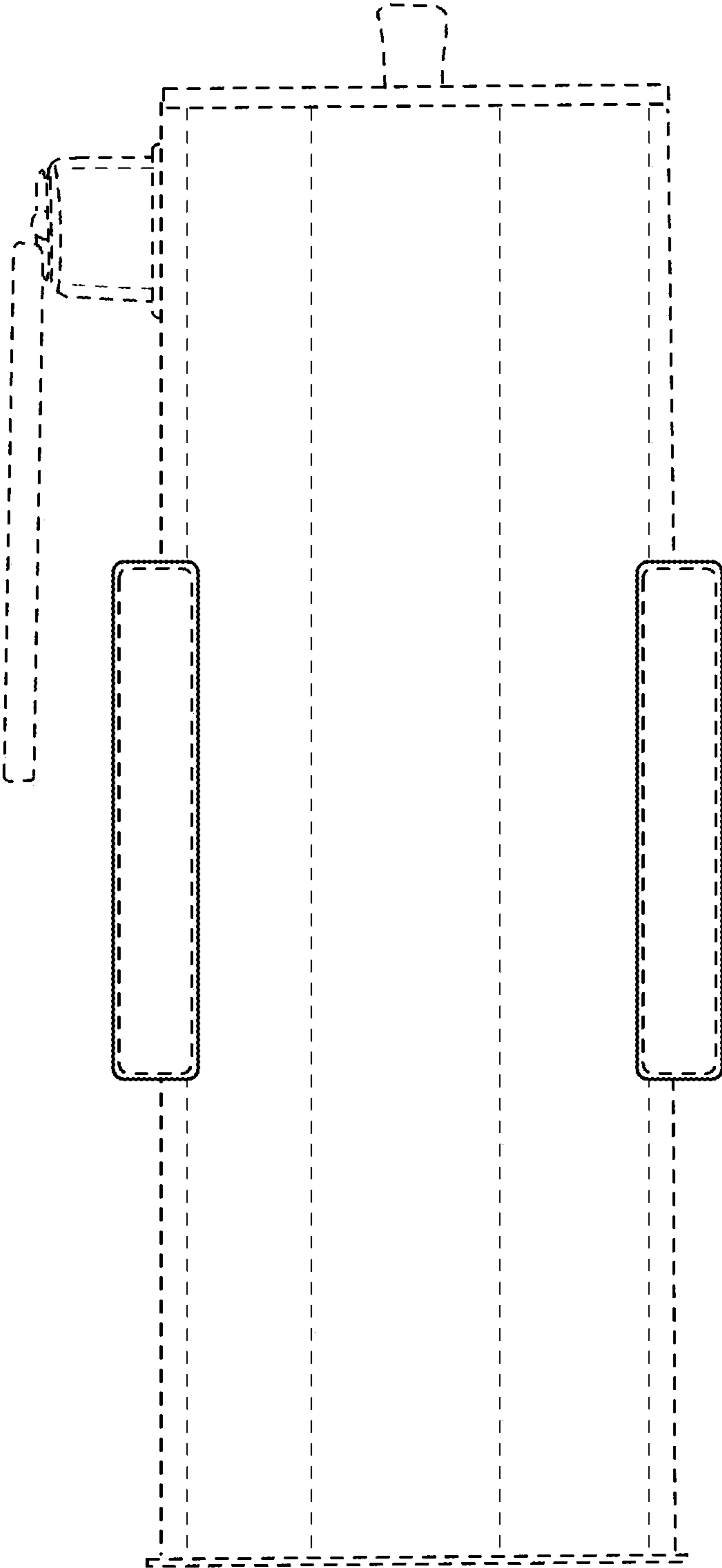


Fig. 9

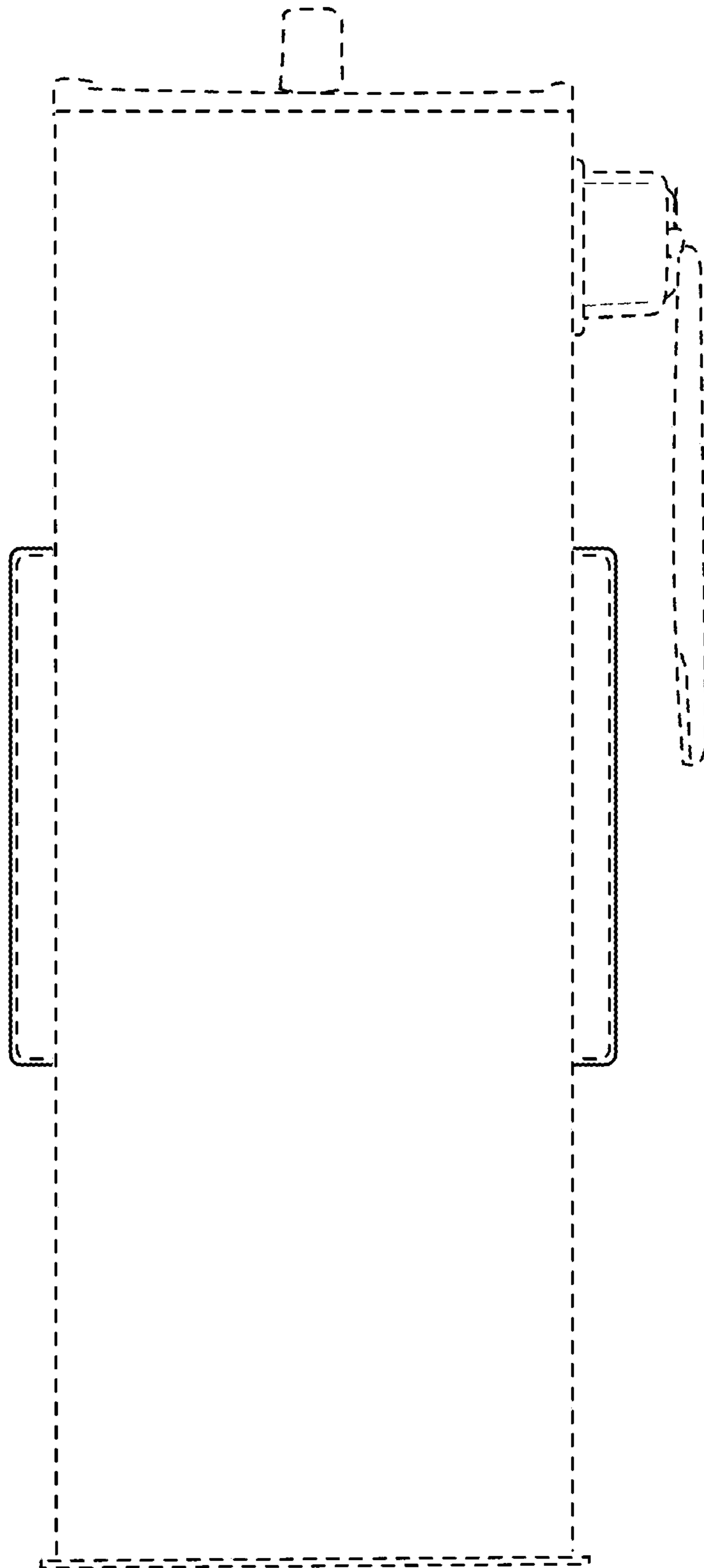


Fig. 10

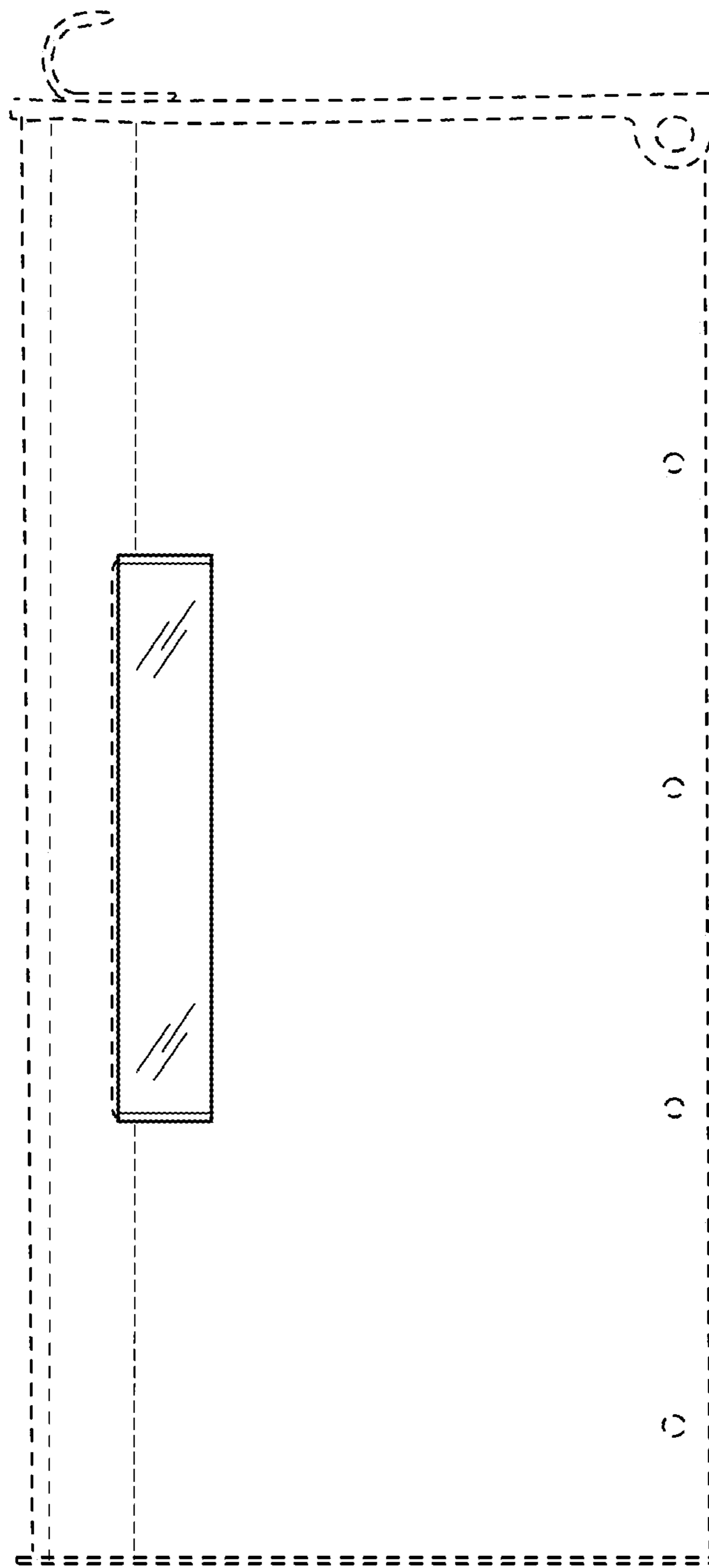


Fig. 11

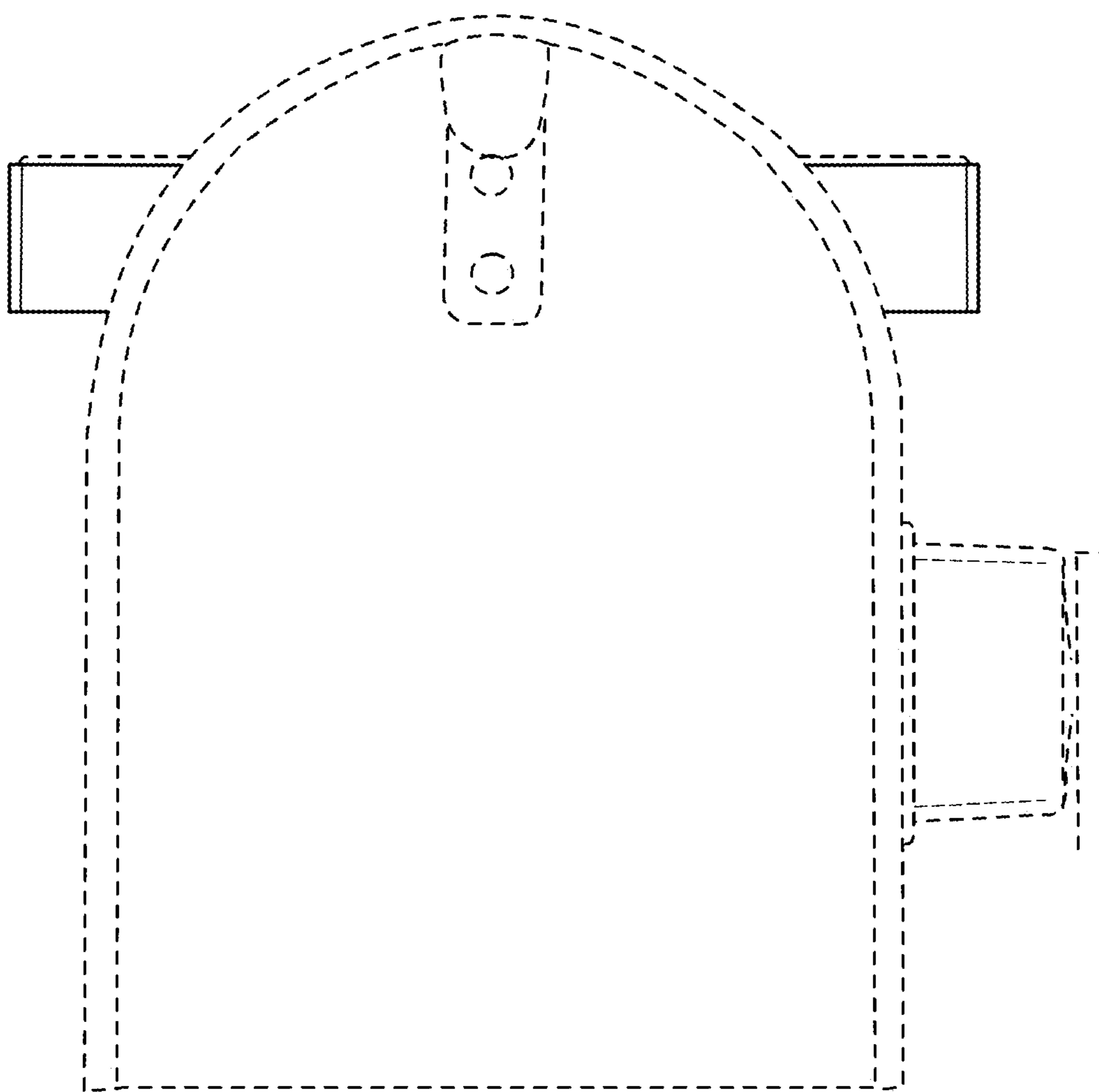


Fig. 13

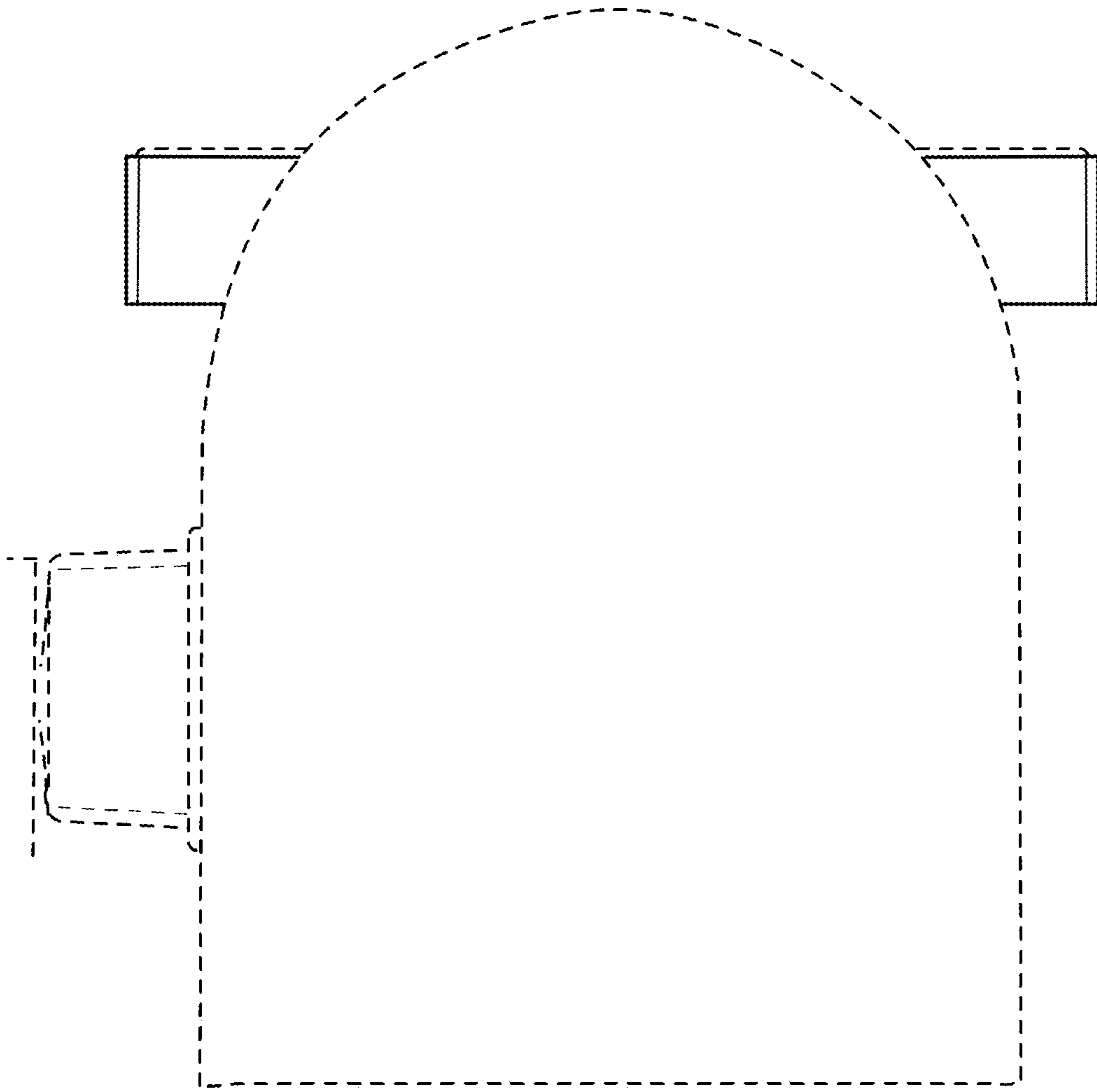


Fig. 14