



US00D889063S

(12) **United States Design Patent**
Chang

(10) **Patent No.:** **US D889,063 S**

(45) **Date of Patent:** **** Jun. 30, 2020**

(54) **DOOR OF A TOOL CART**

(71) Applicant: **Ting-Yu Chang**, Taichung (TW)

(72) Inventor: **Ting-Yu Chang**, Taichung (TW)

(**) Term: **15 Years**

(21) Appl. No.: **29/614,257**

(22) Filed: **Aug. 17, 2017**

(51) **LOC (12) Cl.** **12-02**

(52) **U.S. Cl.**
USPC **D34/27**

(58) **Field of Classification Search**
USPC D34/12-27; D12/196; D7/332-337,
D7/402-405, 347-348, 339-341
CPC ... B64D 11/04; A47B 31/00; A47B 2031/002;
A47J 39/006; B62B 2202/67
See application file for complete search history.

(56) **References Cited**

U.S. PATENT DOCUMENTS

- D440,369 S * 4/2001 LaFollette, Jr. D34/19
- D482,171 S * 11/2003 Vui D34/19
- D518,683 S * 4/2006 Schroeter D7/402
- D548,920 S * 8/2007 Kinsley D34/27
- D608,070 S * 1/2010 Brown D34/19

- D665,597 S * 8/2012 Dufoure D34/20
- D679,467 S * 4/2013 Nicholson D34/19
- D723,237 S * 2/2015 Maddux D34/12
- 10,130,171 B2 * 11/2018 Olson A47B 31/00

* cited by examiner

Primary Examiner — Gino Colan

(74) *Attorney, Agent, or Firm* — Alan D. Kamrath; Karin L. Williams; Mayer & Williams PC

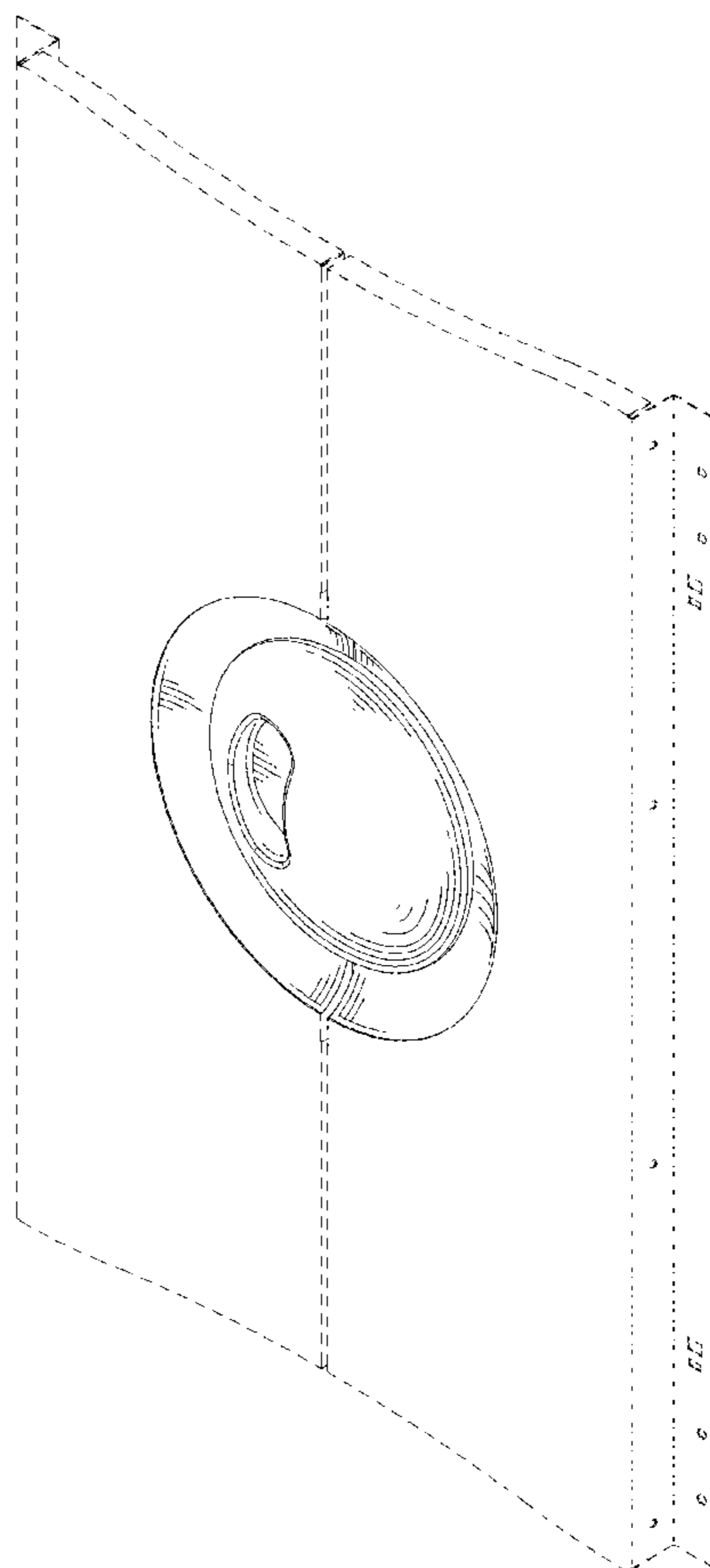
(57) **CLAIM**

The ornamental design for a door of a tool cart, as shown and described.

DESCRIPTION

FIG. 1 is a perspective view of a door of a tool cart showing my new design;
 FIG. 2 is a front elevation view thereof;
 FIG. 3 is a rear elevation view thereof;
 FIG. 4 is a left elevation view thereof;
 FIG. 5 is a right elevation view thereof;
 FIG. 6 is a top plan view thereof;
 FIG. 7 is a bottom plan view thereof; and,
 FIG. 8 is a perspective view thereof, in condition of use.
 The broken lines showing portions of a door are for the purpose of illustrating portions of a door of a tool cart and form no part of the claimed design. The broken lines showing a cart are for the purpose of illustrating environment and form no part of the claimed design.

1 Claim, 6 Drawing Sheets



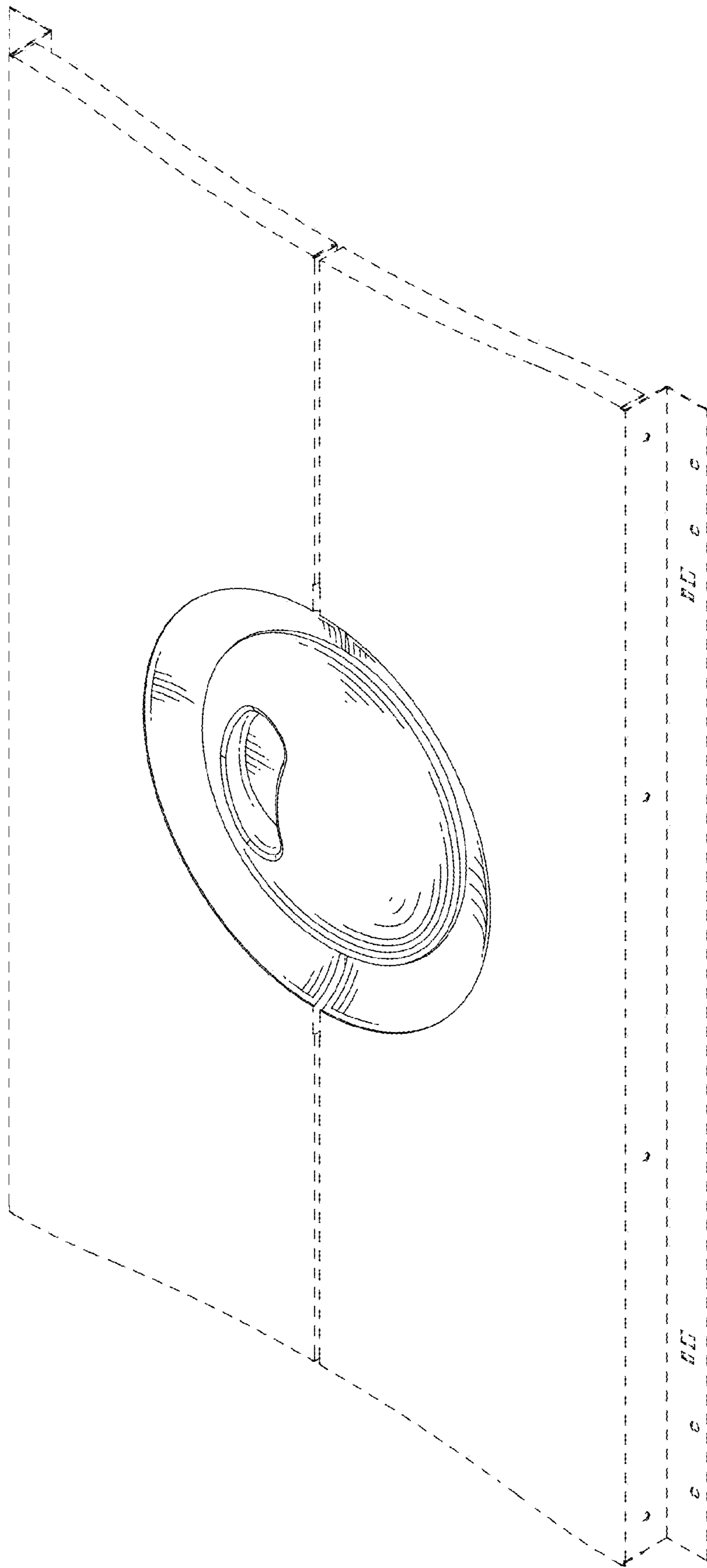


FIG.1

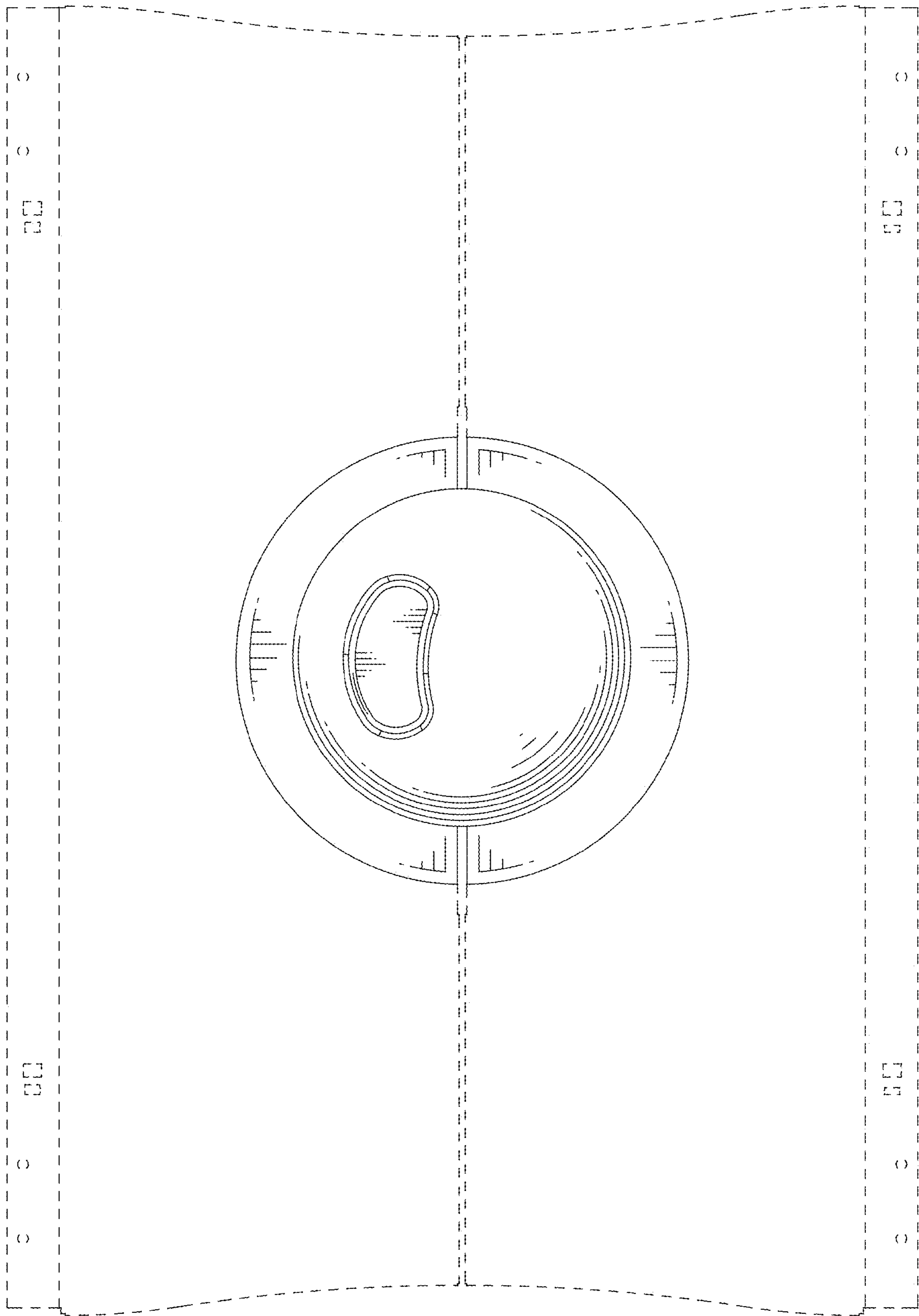


FIG.2

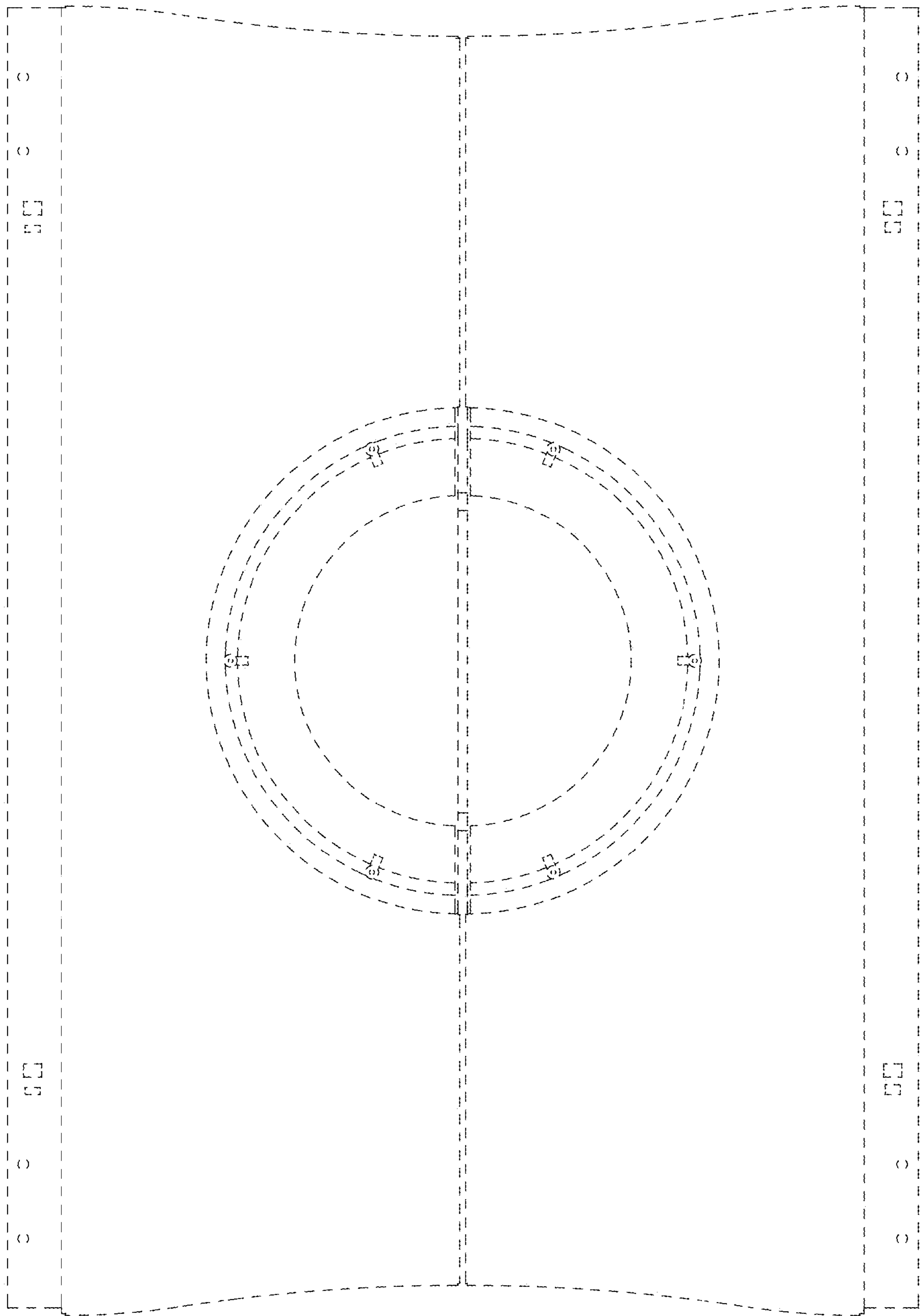


FIG.3

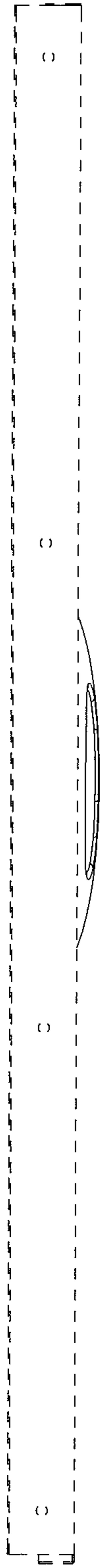


FIG.4

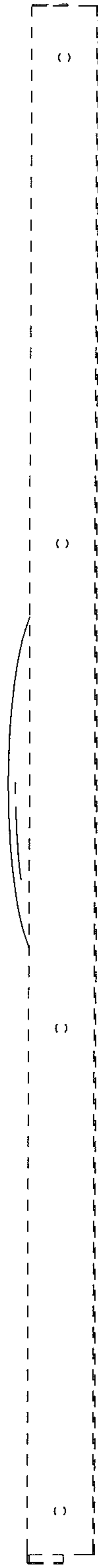


FIG.5

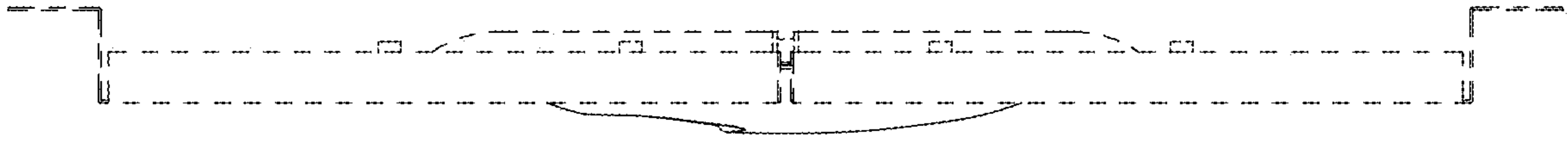


FIG. 6

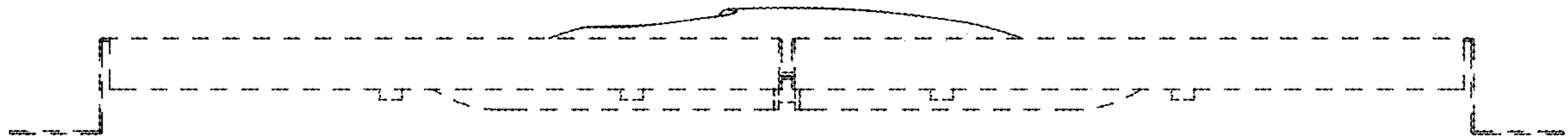


FIG. 7

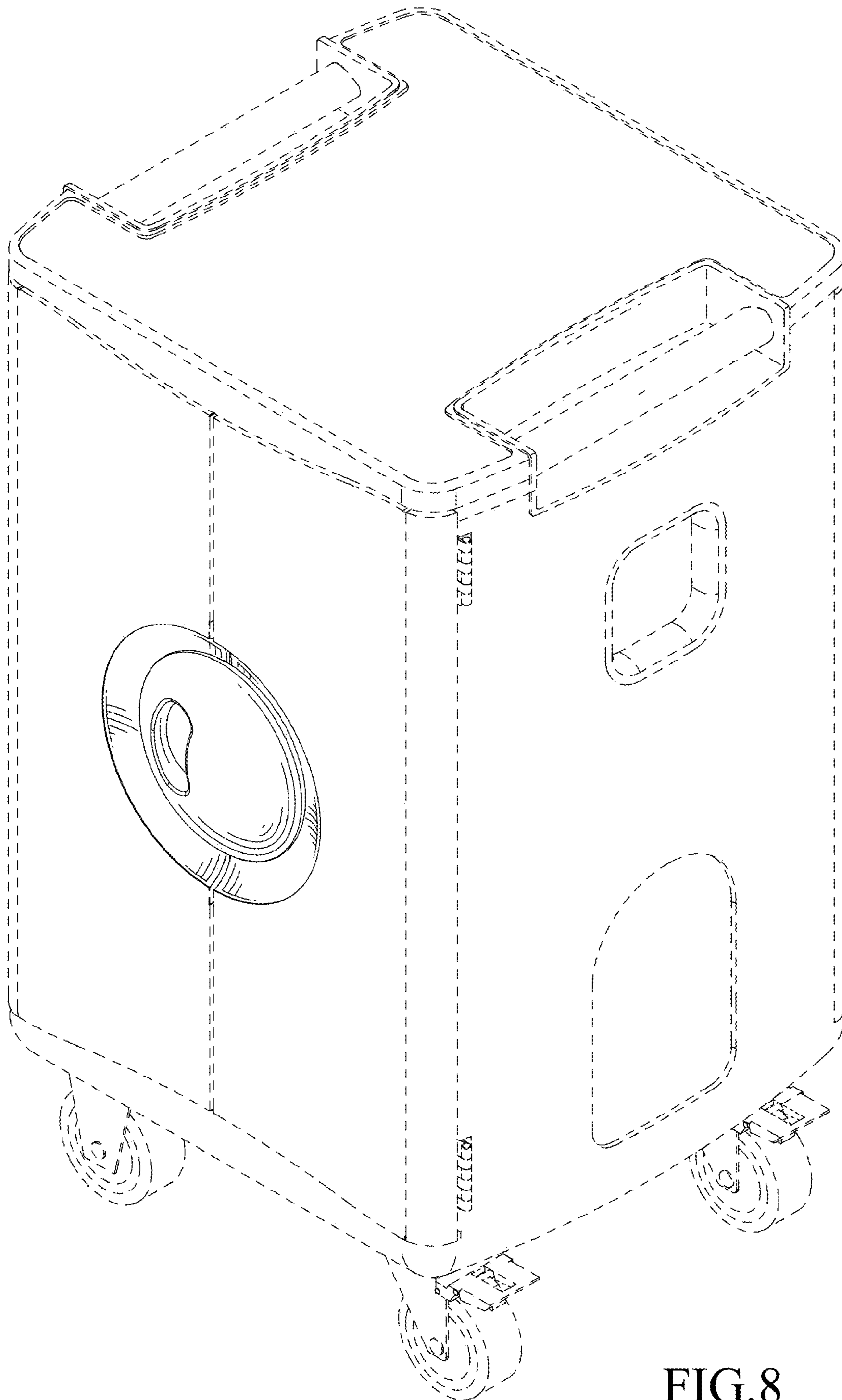


FIG. 8