



US00D889062S

(12) **United States Design Patent**  
**Peterson et al.**

(10) **Patent No.:** **US D889,062 S**  
(45) **Date of Patent:** **\*\* Jun. 30, 2020**

(54) **MOBILE CART**

(71) Applicant: **MOBILE-PACK LLC**, Seattle, WA  
(US)

(72) Inventors: **Bryon S. Peterson**, Seattle, WA (US);  
**Kay Washington**, Chicago, IL (US)

(73) Assignee: **MOBILE-PACK LLC**, Seattle, WA  
(US)

(\*\*) Term: **15 Years**

(21) Appl. No.: **29/657,201**

(22) Filed: **Jul. 19, 2018**

(51) **LOC (12) Cl.** ..... **12-02**

(52) **U.S. Cl.**  
USPC ..... **D34/25**

(58) **Field of Classification Search**  
USPC ..... D34/12-14, 17-27; 280/651, 47.26,  
280/47.19, 47.35, 652, 33.996, 47.315,  
280/40, 47.17; D3/273, 276, 279, 905,  
D3/260, 289; 190/18 R, 107, 122, 127,  
190/103  
CPC ..... B62B 1/12; B62B 1/20; B62B 5/0438;  
B62B 1/04; B62B 1/042; B62B 1/208;  
A45C 5/06  
See application file for complete search history.

(56) **References Cited**

**U.S. PATENT DOCUMENTS**

D267,243 S 12/1982 Jemas  
D341,238 S 11/1993 Sloan  
5,630,521 A \* 5/1997 Waddell ..... A45C 5/14  
280/47.26  
D425,279 S 5/2000 Houry  
D441,161 S \* 4/2001 Shetterly ..... D34/24  
6,227,339 B1 \* 5/2001 Bogert ..... A45C 5/06  
190/107

D517,804 S \* 3/2006 Davenport ..... D3/279  
D582,673 S \* 12/2008 Mangano ..... D3/279  
D595,918 S 7/2009 Walter  
D639,051 S \* 6/2011 Dare ..... D3/260  
D643,215 S \* 8/2011 Lin ..... D3/279  
D734,913 S 7/2015 Adams  
D817,585 S 5/2018 Thuma  
2005/0121275 A1 \* 6/2005 Platte, III ..... A45C 5/065  
190/103

\* cited by examiner

*Primary Examiner* — Gino Colan

(74) *Attorney, Agent, or Firm* — Craft Chu PLLC;  
Andrew W. Chu

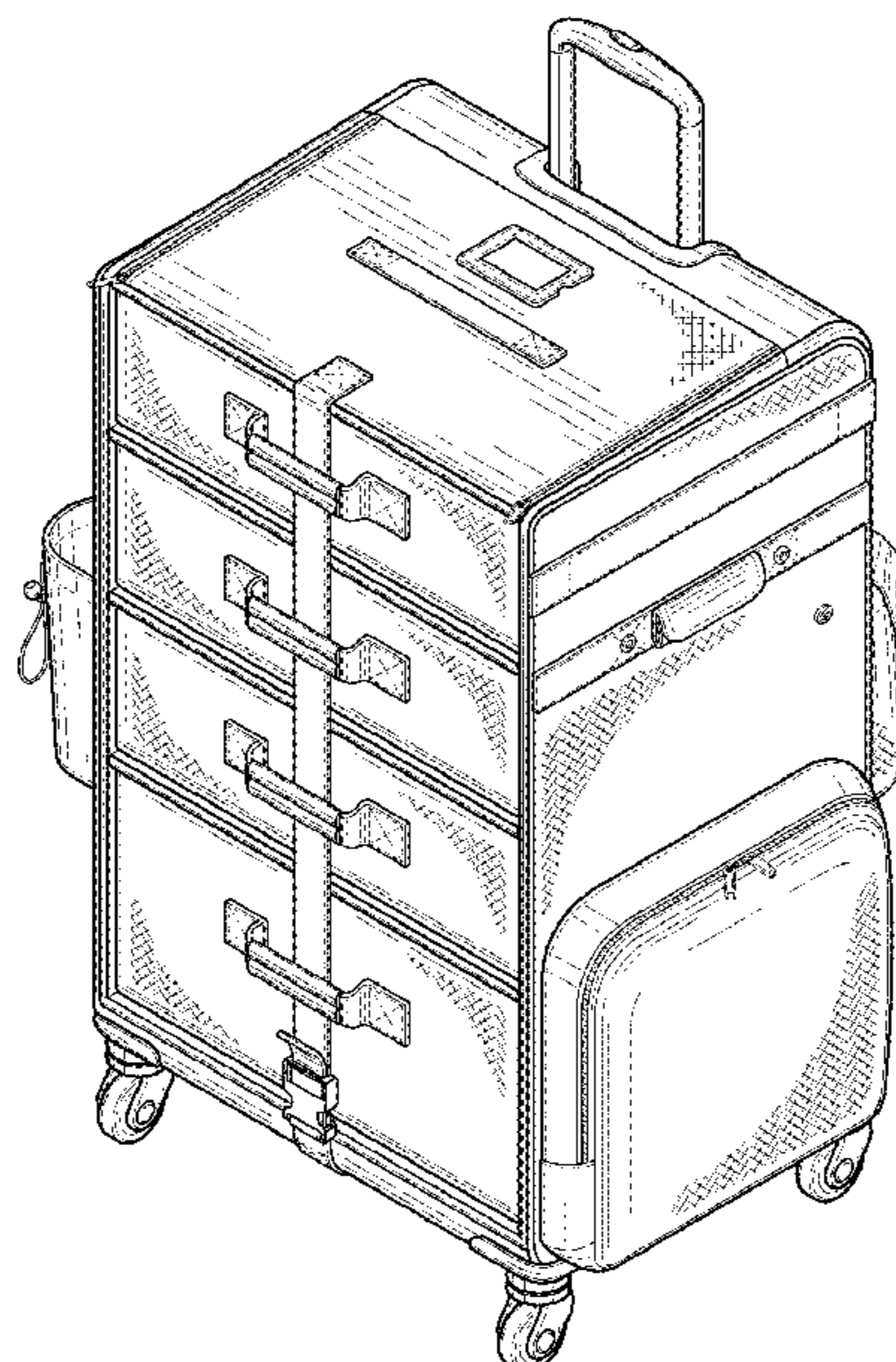
(57) **CLAIM**

The ornamental design for a mobile cart, as shown and described.

**DESCRIPTION**

FIG. 1 is a top front right perspective view of a mobile cart showing our new design, with all four drawers in a closed and locked configuration;  
FIG. 2 is a front elevation view thereof;  
FIG. 3 is a back elevation view thereof;  
FIG. 4 is a left side elevation view thereof;  
FIG. 5 is a right side elevation view thereof;  
FIG. 6 is a top front left perspective view thereof;  
FIG. 7 is a bottom plan view thereof;  
FIG. 8 is a top plan view thereof;  
FIG. 9 is a top perspective view, showing a top extended configuration with the top lid open;  
FIG. 10 is another top perspective view, showing the top extended configuration with the top lid open and an opened configuration with the middle drawer; and,  
FIG. 11 is another perspective view, showing the top extended configuration with the top lid open and an opened configuration with the bottom drawer.

**1 Claim, 5 Drawing Sheets**



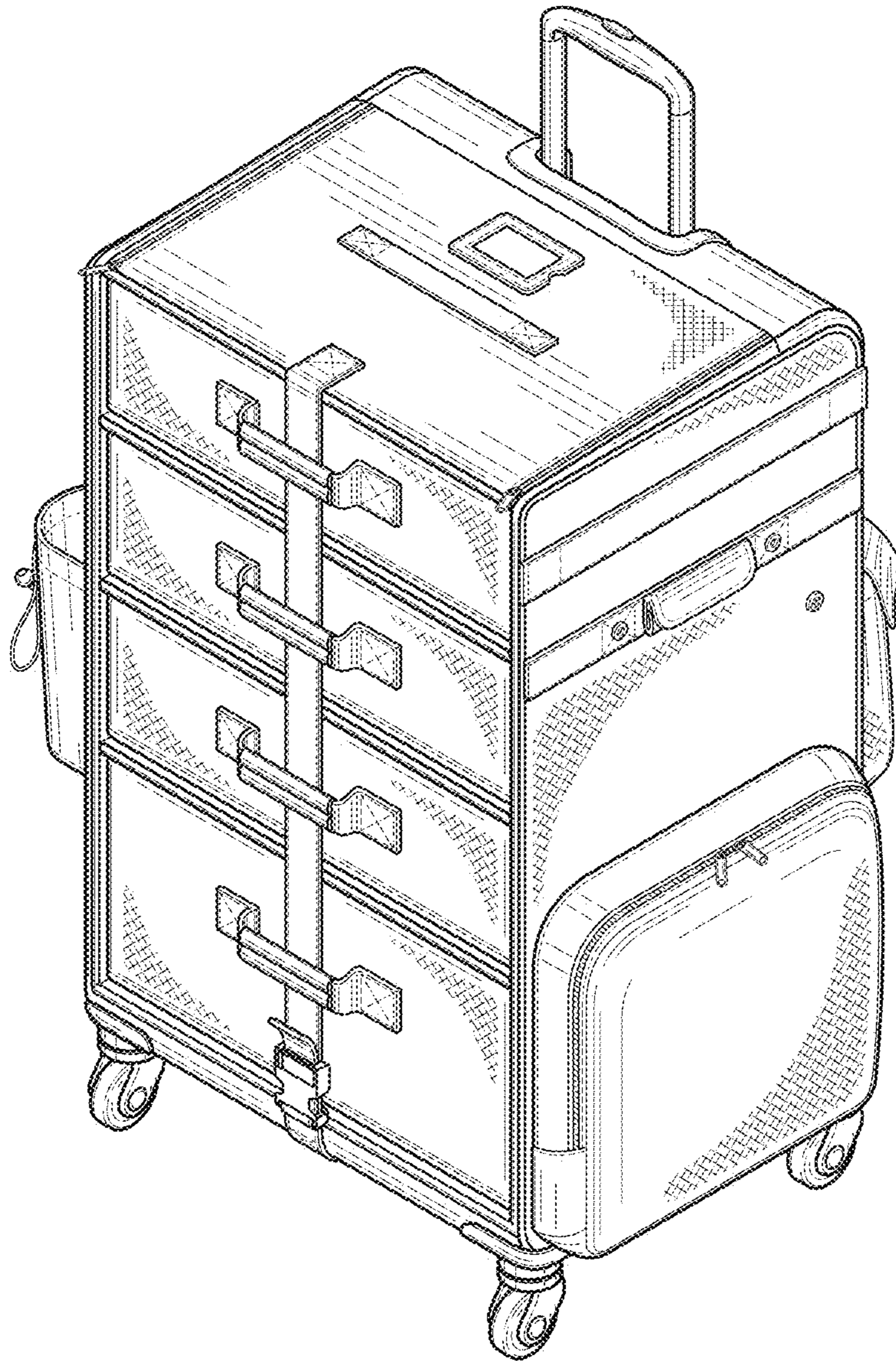


FIG. 1

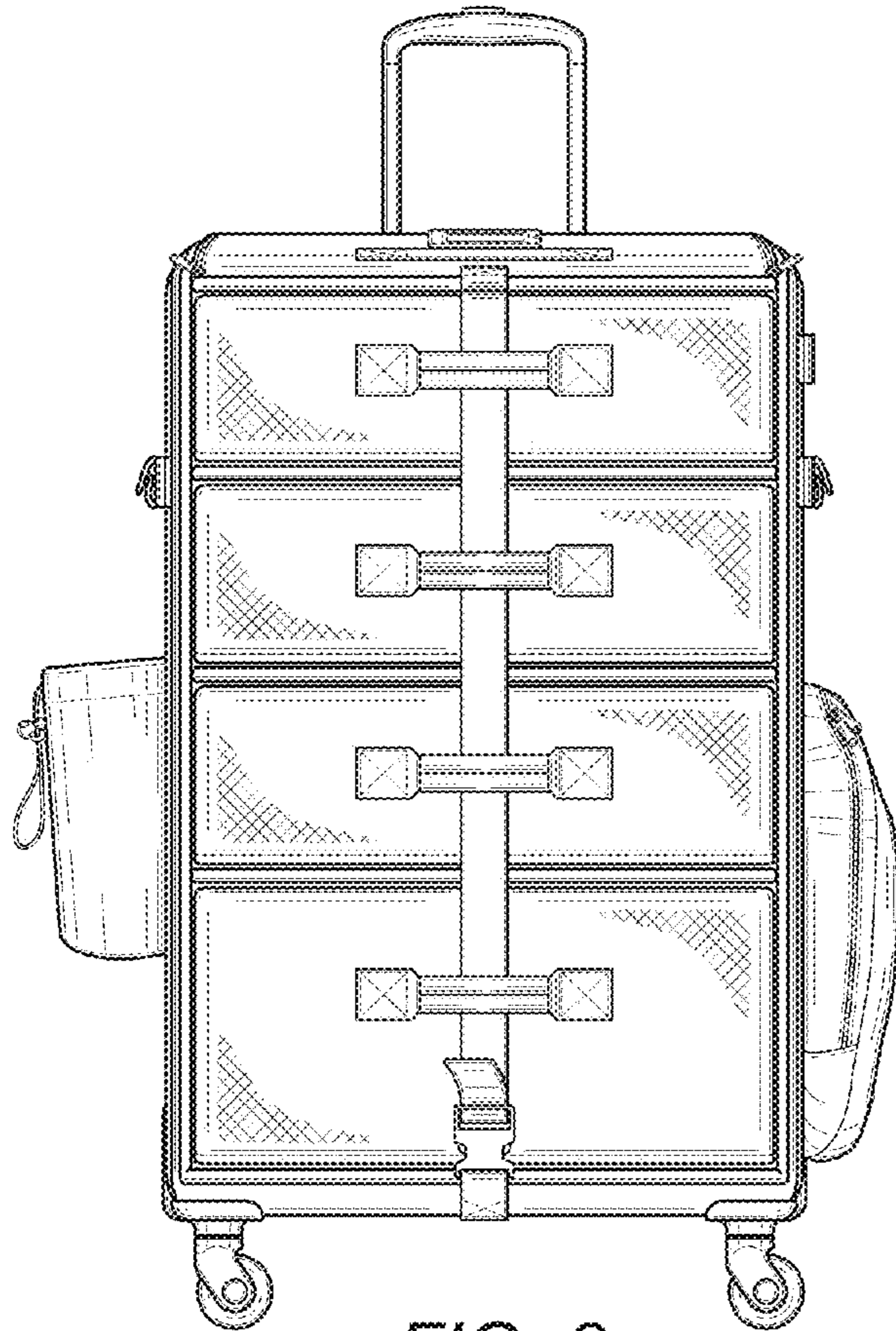


FIG. 2

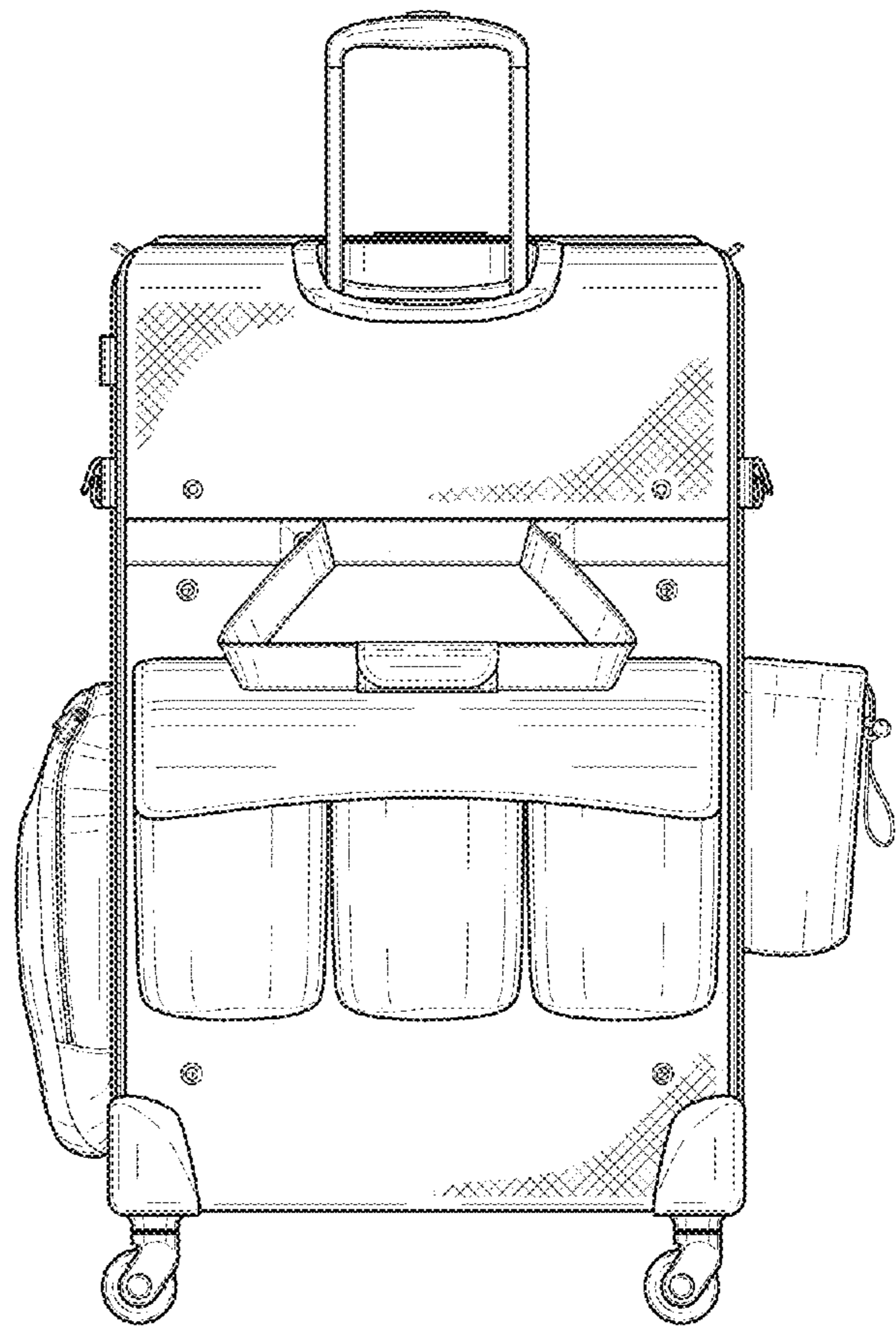


FIG. 3

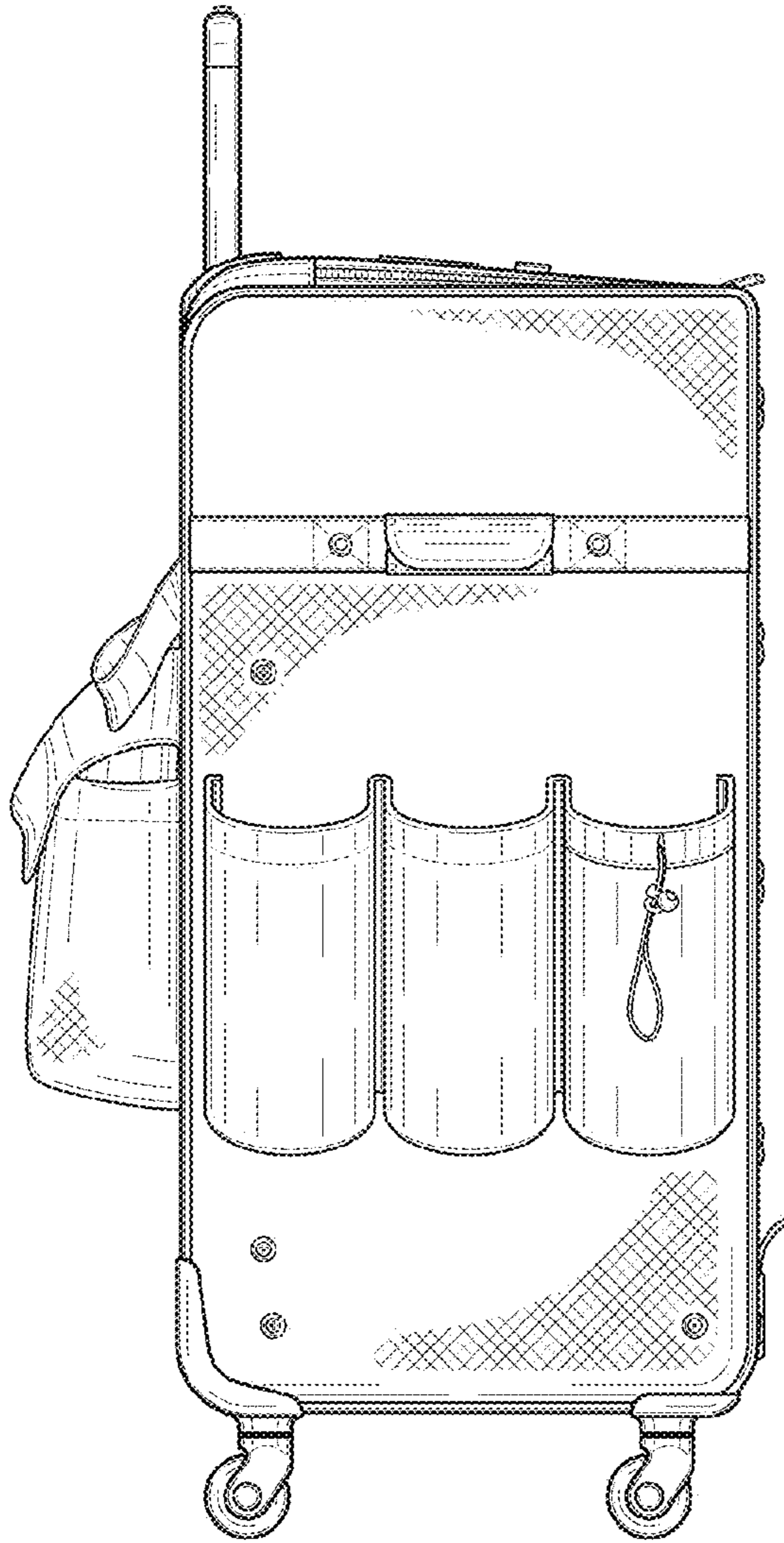


FIG. 4

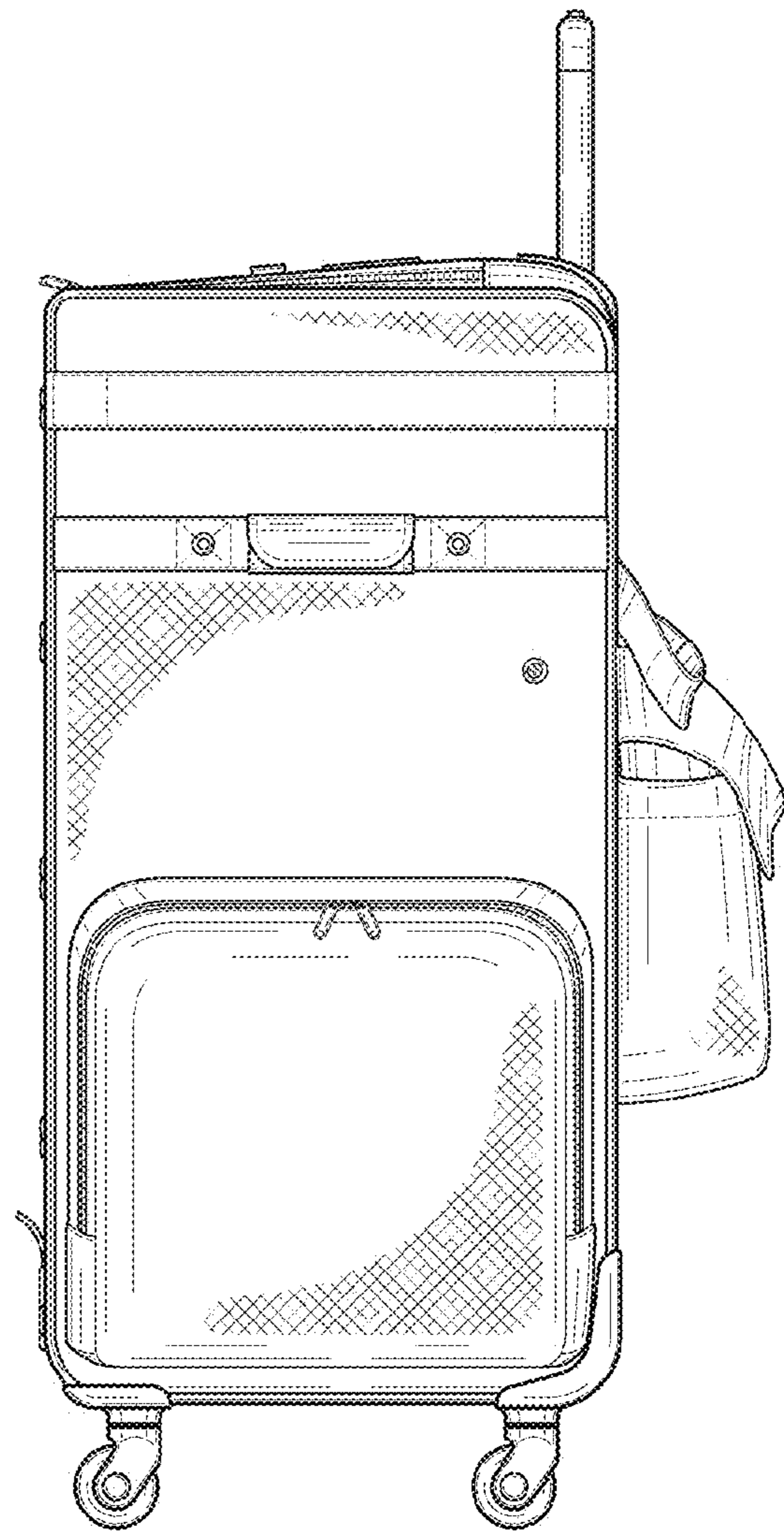


FIG. 5

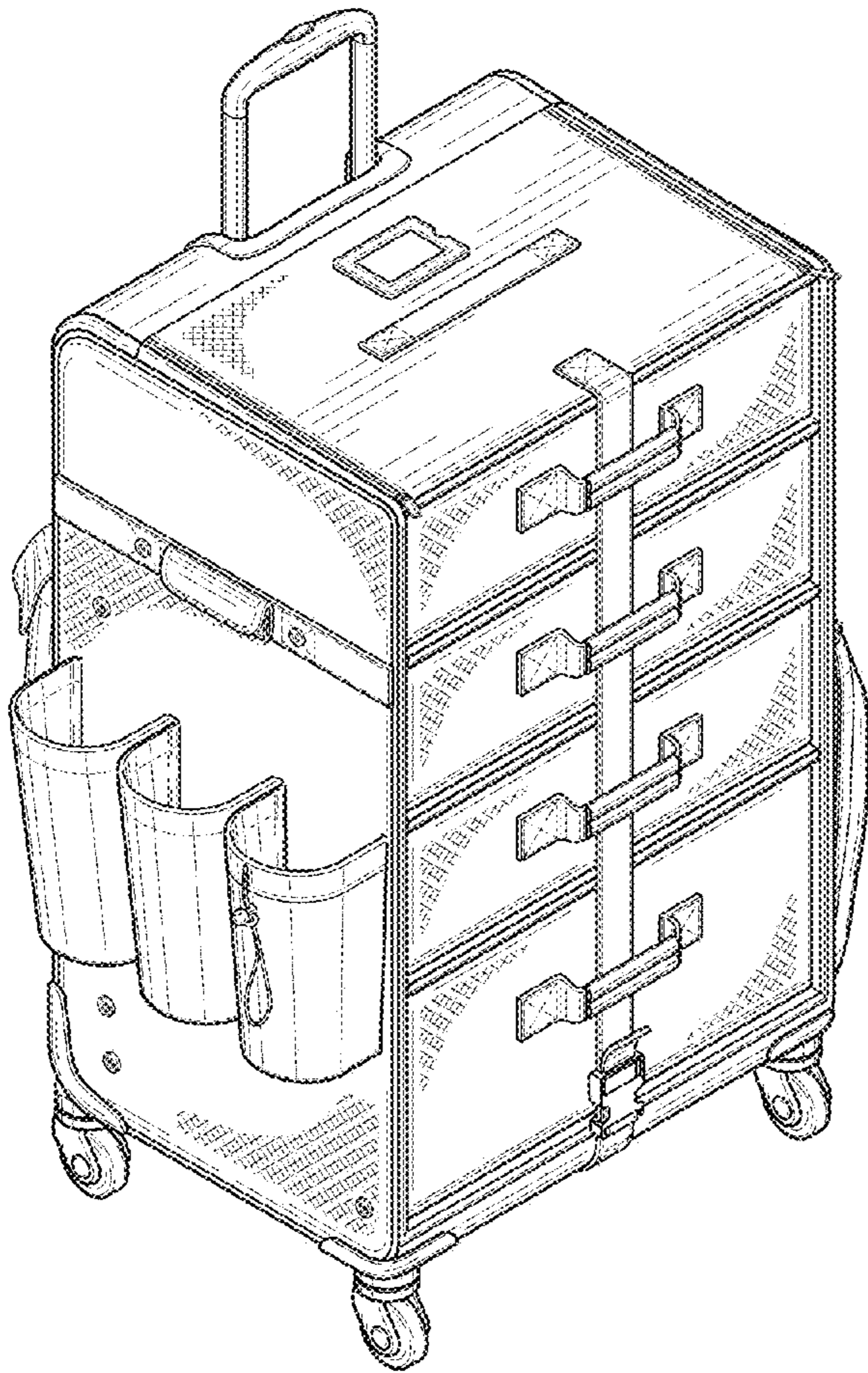


FIG. 6

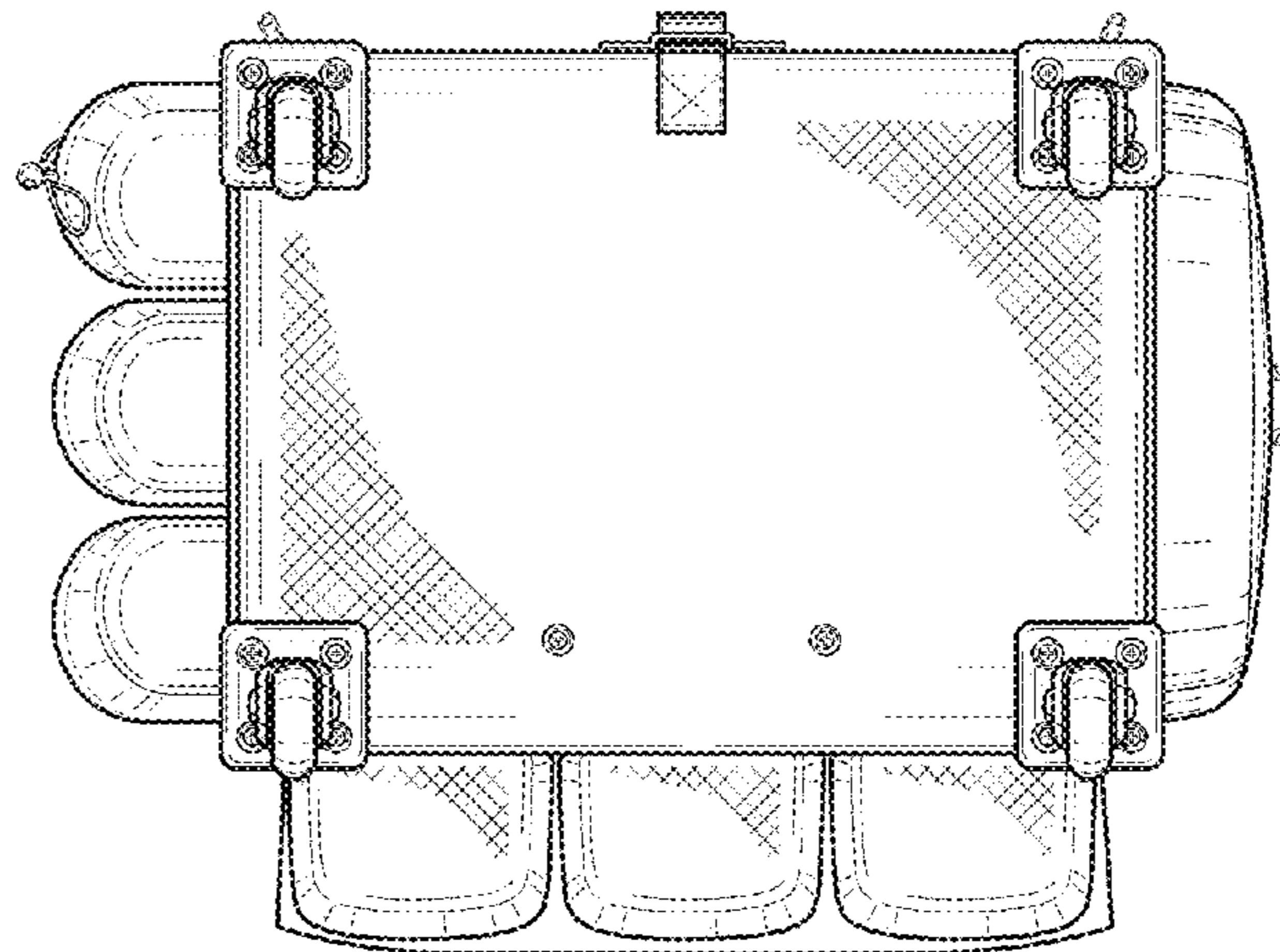


FIG. 7

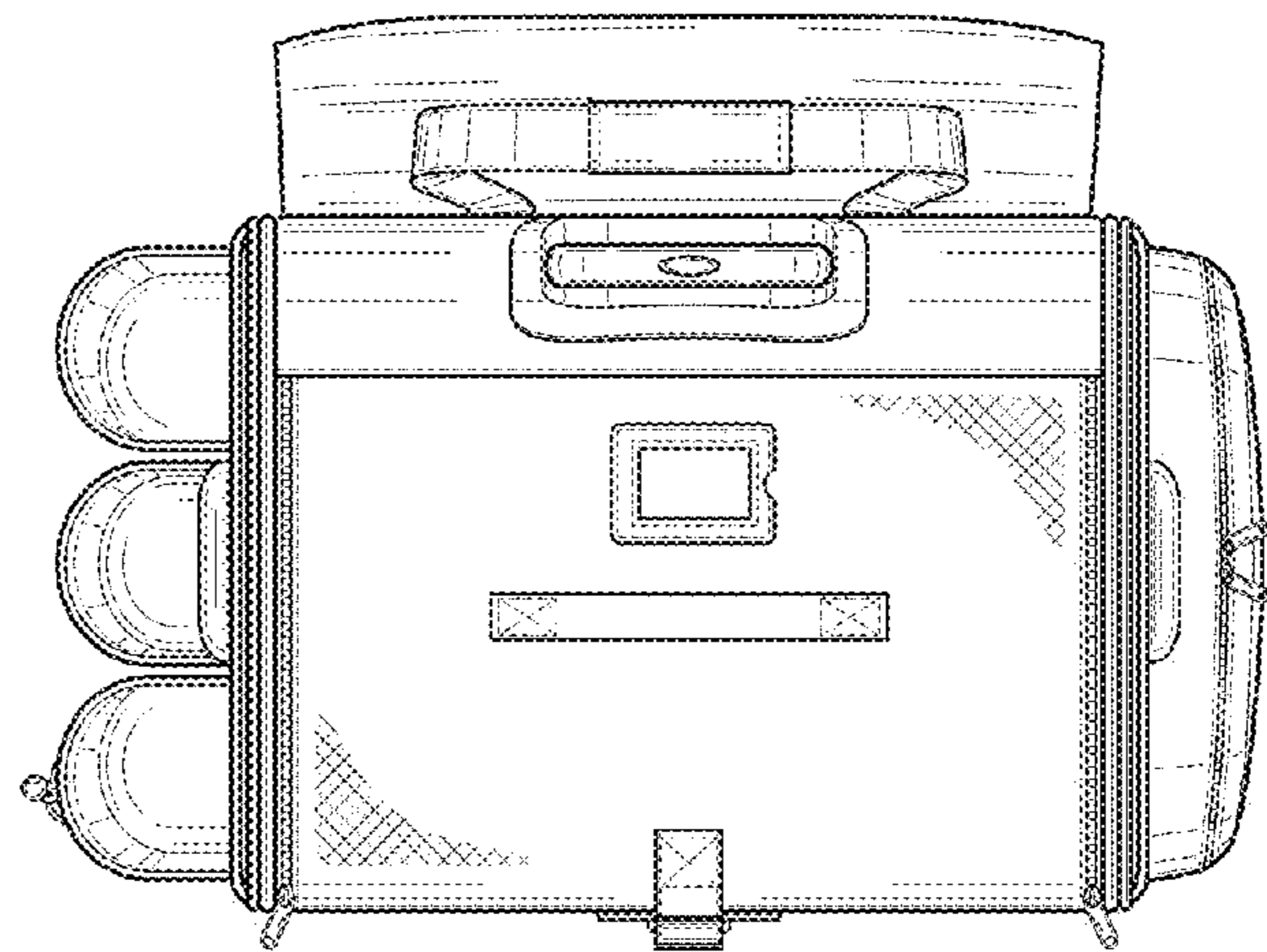


FIG. 8

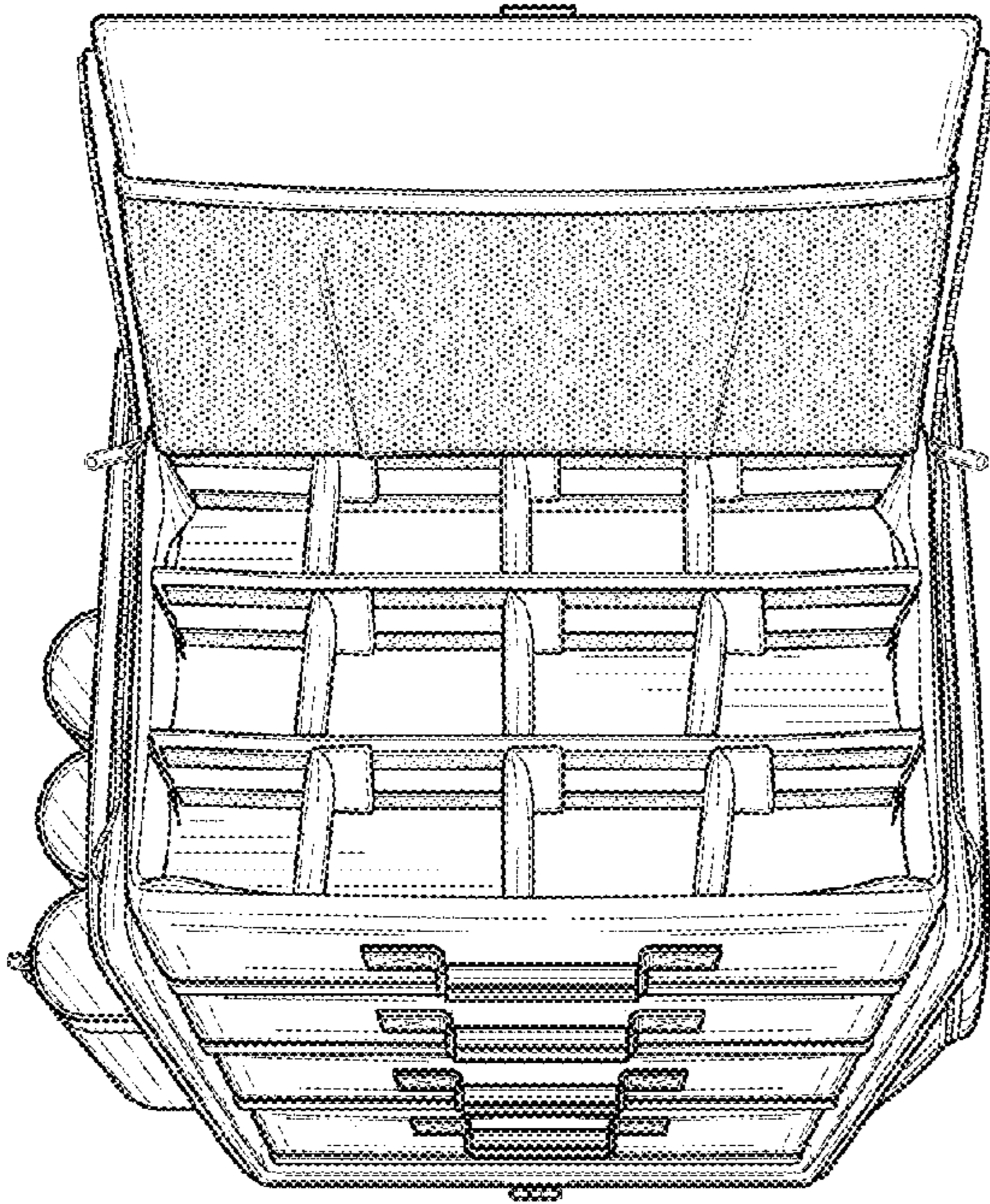


FIG. 9

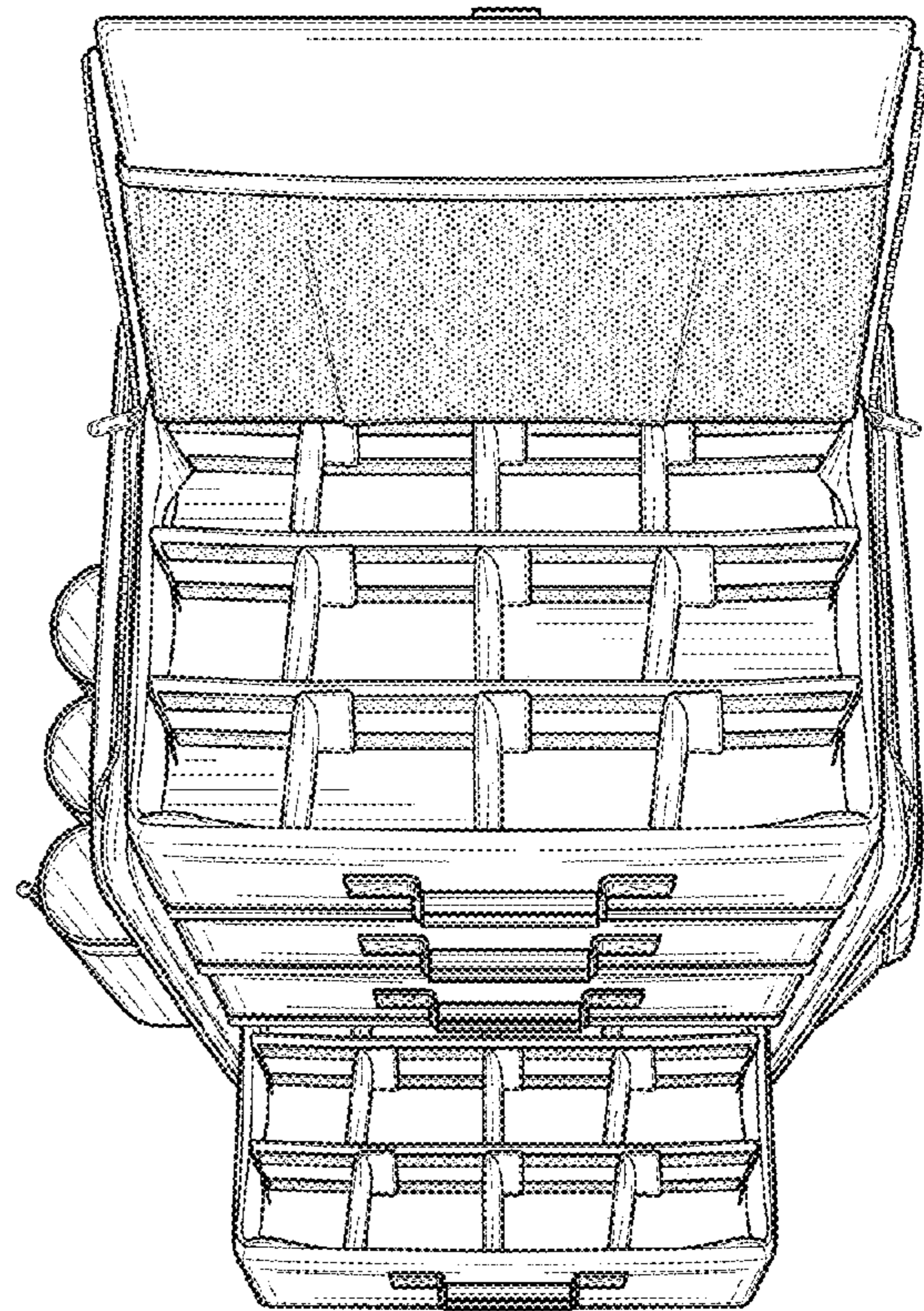


FIG. 11

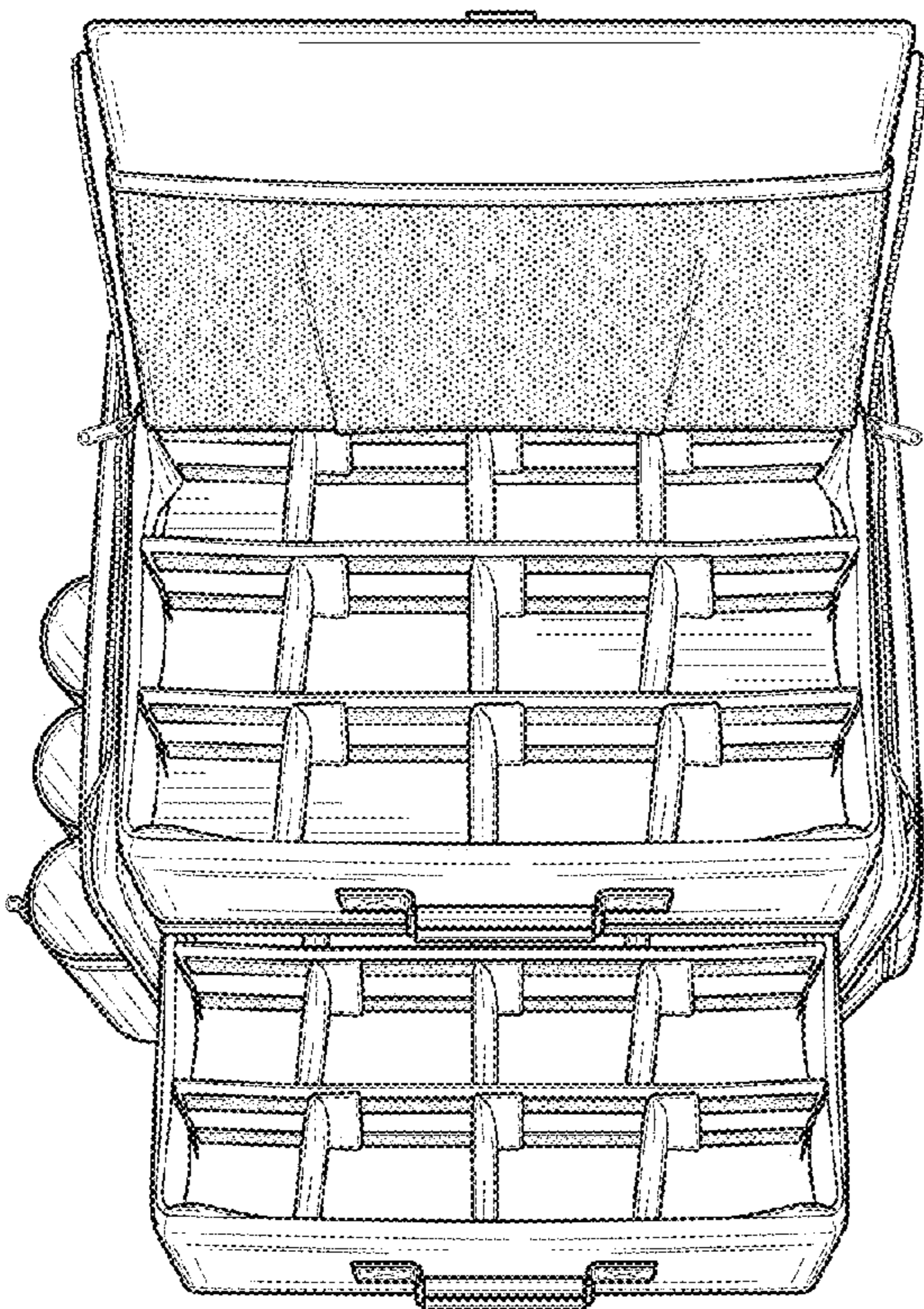


FIG. 10