



US00D889061S

(12) **United States Design Patent**
Contell

(10) **Patent No.:** **US D889,061 S**
(45) **Date of Patent:** **** Jun. 30, 2020**

(54) **FURNITURE FOR A JUICER**

(56) **References Cited**

(71) Applicant: **Zummo Innovaciones Mecanicas, S.A,**
Valencia (ES)

U.S. PATENT DOCUMENTS

(72) Inventor: **Eugenio Contell,** Valencia (ES)

D171,629 S *	3/1954	Williams et al.	D7/347
D192,318 S *	3/1962	Golden	D34/14
D323,051 S *	1/1992	Baggott	D34/14
D391,971 S *	3/1998	Dorsey	D15/79
D448,391 S *	9/2001	Stauffer	D15/79
D449,316 S *	10/2001	Stauffer	D15/79
D489,155 S *	4/2004	Underbrink	D23/286
D493,593 S *	7/2004	Anderson	D34/14
D504,000 S *	4/2005	Underbrink	D23/286
D557,870 S *	12/2007	MacMillan	D34/14
D703,903 S *	4/2014	Tuncel	D34/14

(**) Term: **15 Years**

(21) Appl. No.: **35/506,854**

(22) Filed: **Nov. 27, 2018**

(80) **Hague Agreement Data**

Int. Filing Date: **Nov. 27, 2018**

Int. Reg. No.: **DM/200213**

Int. Reg. Date: **Nov. 27, 2018**

Int. Reg. Pub. Date: **May 31, 2019**

(51) **LOC (12) Cl.** **12-02**

(52) **U.S. Cl.**

USPC **D34/14; D15/79**

(58) **Field of Classification Search**

USPC D15/79-91; D34/12, 14, 17, 19

CPC A47J 19/02; A47J 19/06; A47J 19/025;

A47J 43/0716; A47J 43/046; A47J

19/027; A47J 43/042; A47J 19/00; A47J

19/022; A47J 31/407; A47J 19/023; A47J

19/04; A47J 2043/04427; A47J 43/06;

A47J 43/07; A47J 43/0727; A47J 47/16;

A47J 19/005; A47J 2043/04454; A47J

2043/04463; A47J 2043/04472; A47J

2043/04449; A47J 25/00; A47J 31/40;

A47J 31/52; A47J 31/525; A47J 36/06;

A47J 37/1257; A47J 43/04; A47J 43/044;

A47J 43/0711; A47J 43/0722; A47J

43/082; A47J 43/085; A47J 43/087; A47J

43/255; A47J 43/28; A47J 31/3628; A47J

31/3633; A47J 31/3638; A47J 31/3642;

A47B 2088/951; A47B 2230/0081; A47B

2230/06; A47B 31/06; A47B 33/00; A47B

46/00; A47B 47/042; A47B 77/00; A47B

96/201

See application file for complete search history.

Primary Examiner — Khawaja Anwar

(57) **CLAIM**

The ornamental design for furniture for a juicer, as shown and described.

DESCRIPTION

1. Furniture for a juicer

FIG. 1.1 is a front elevation view of a furniture for a juicer, showing my new design;

FIG. 1.2 is a side elevation view thereof;

FIG. 1.3 is a another side elevation view thereof;

FIG. 1.4 is a bottom plan view thereof;

FIG. 1.5 is top plan view thereof;

FIG. 1.6 is a perspective view thereof;

FIG. 1.7 is another perspective view thereof;

FIG. 1.8 is a bottom perspective view thereof;

FIG. 1.9 is another bottom perspective view thereof;

FIG. 1.10 is a rear perspective view thereof;

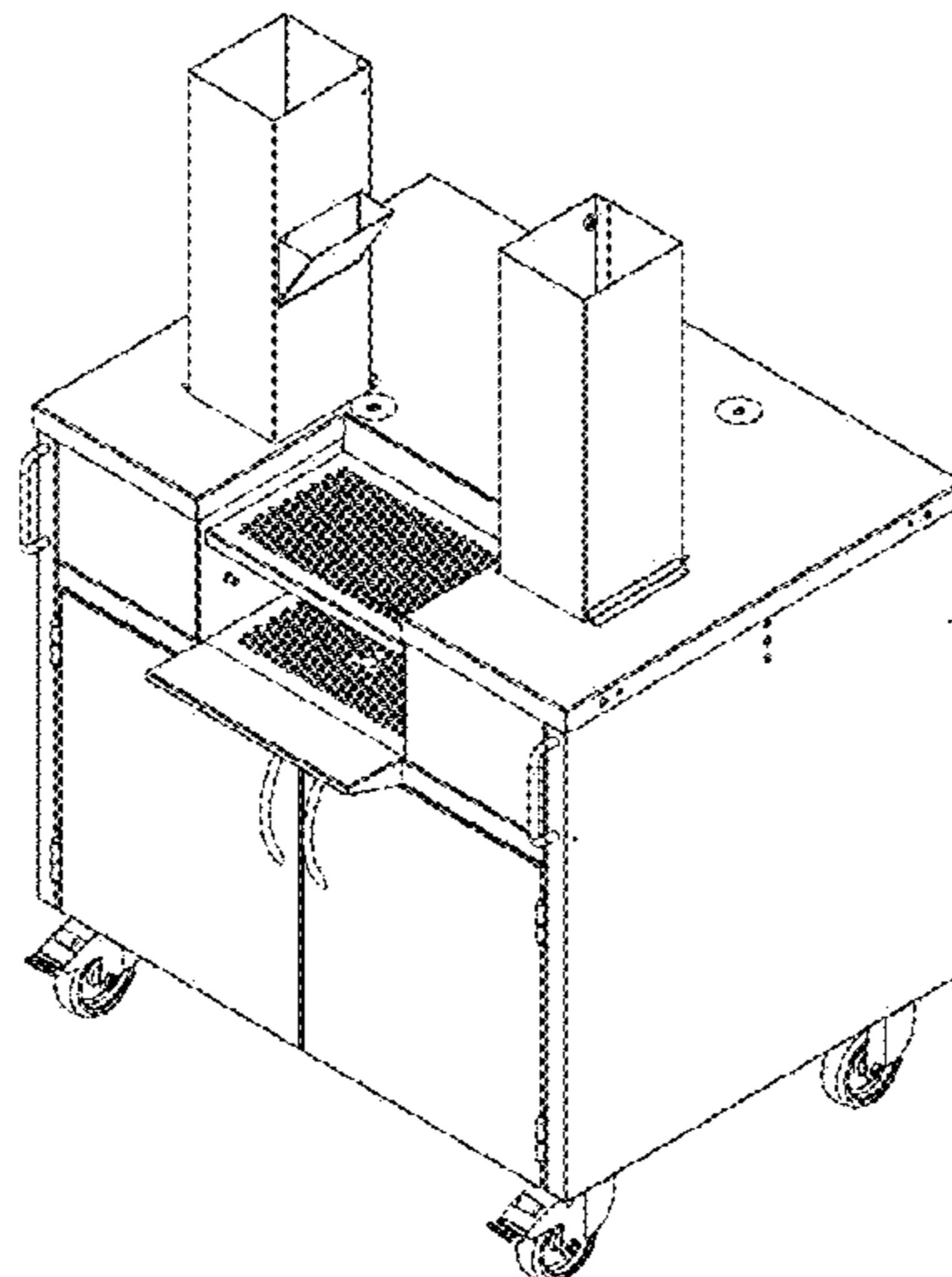
FIG. 1.11 is another perspective view thereof, shown in an open configuration;

FIG. 1.12 is another front perspective view thereof; and

FIG. 1.13 is another front perspective view thereof.

The characteristics of the designs for which protection is sought include the patterns, shapes, configuration and ornamentation of a furniture for a juicer.

1 Claim, 13 Drawing Sheets



(56)

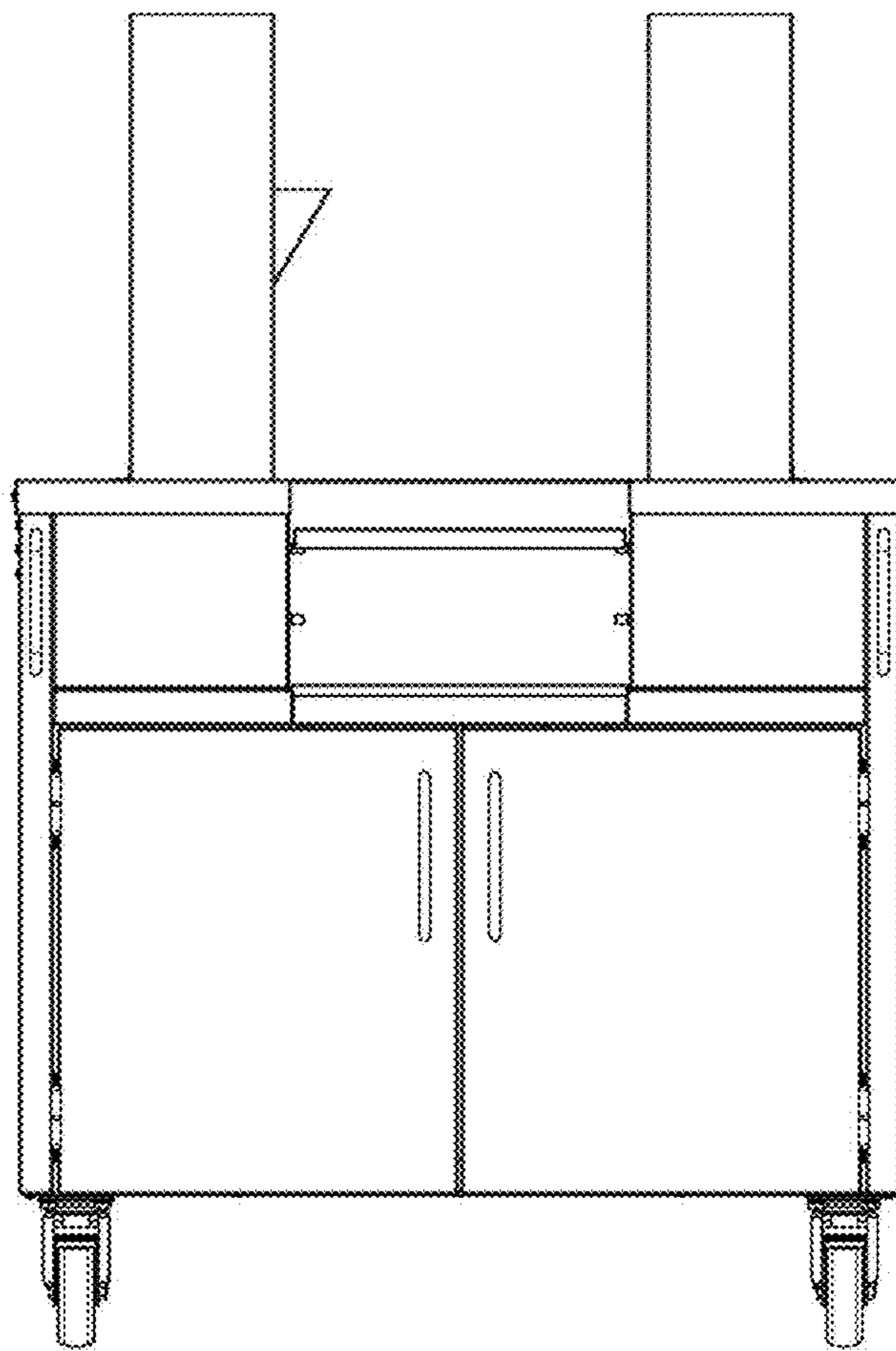
References Cited

U.S. PATENT DOCUMENTS

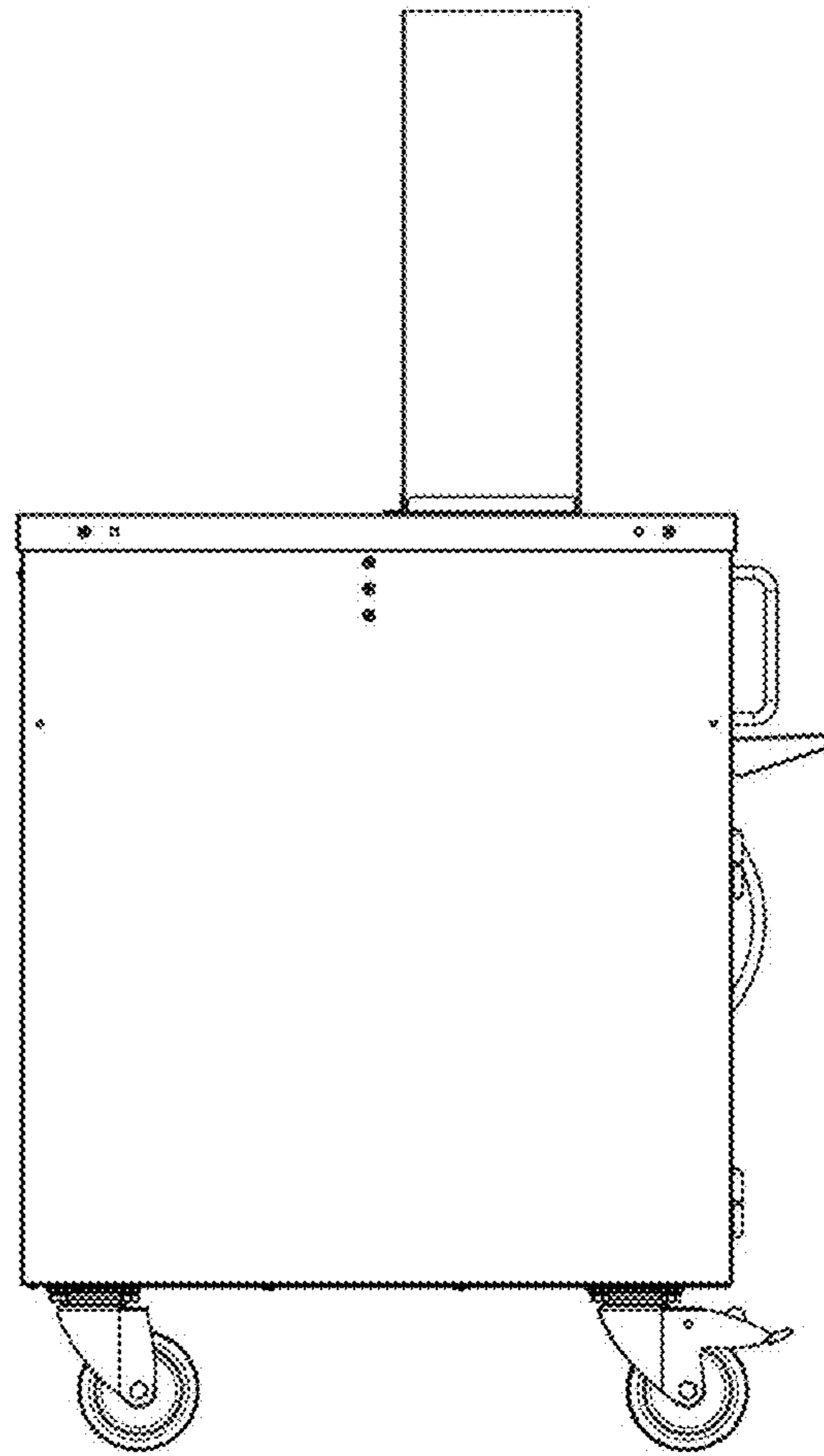
D711,613 S * 8/2014 Brenner D34/14
D734,586 S * 7/2015 Thibault B44D 3/126
D34/14
D858,927 S * 9/2019 Wolford D34/14
2013/0340632 A1* 12/2013 Contell Albert A23N 1/003
99/507
2017/0127714 A1* 5/2017 Contell Albert A23N 1/003

* cited by examiner

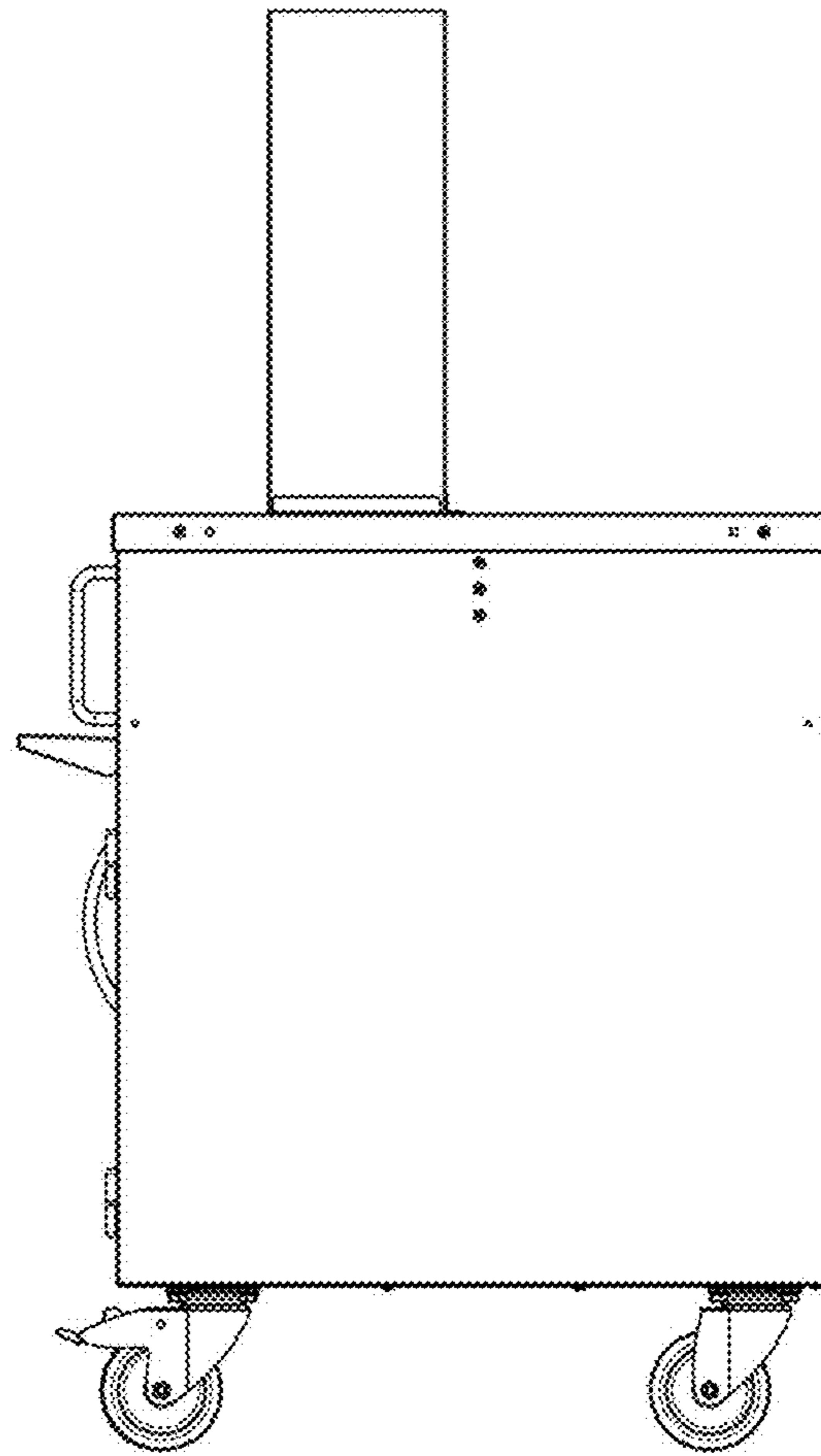
1.1



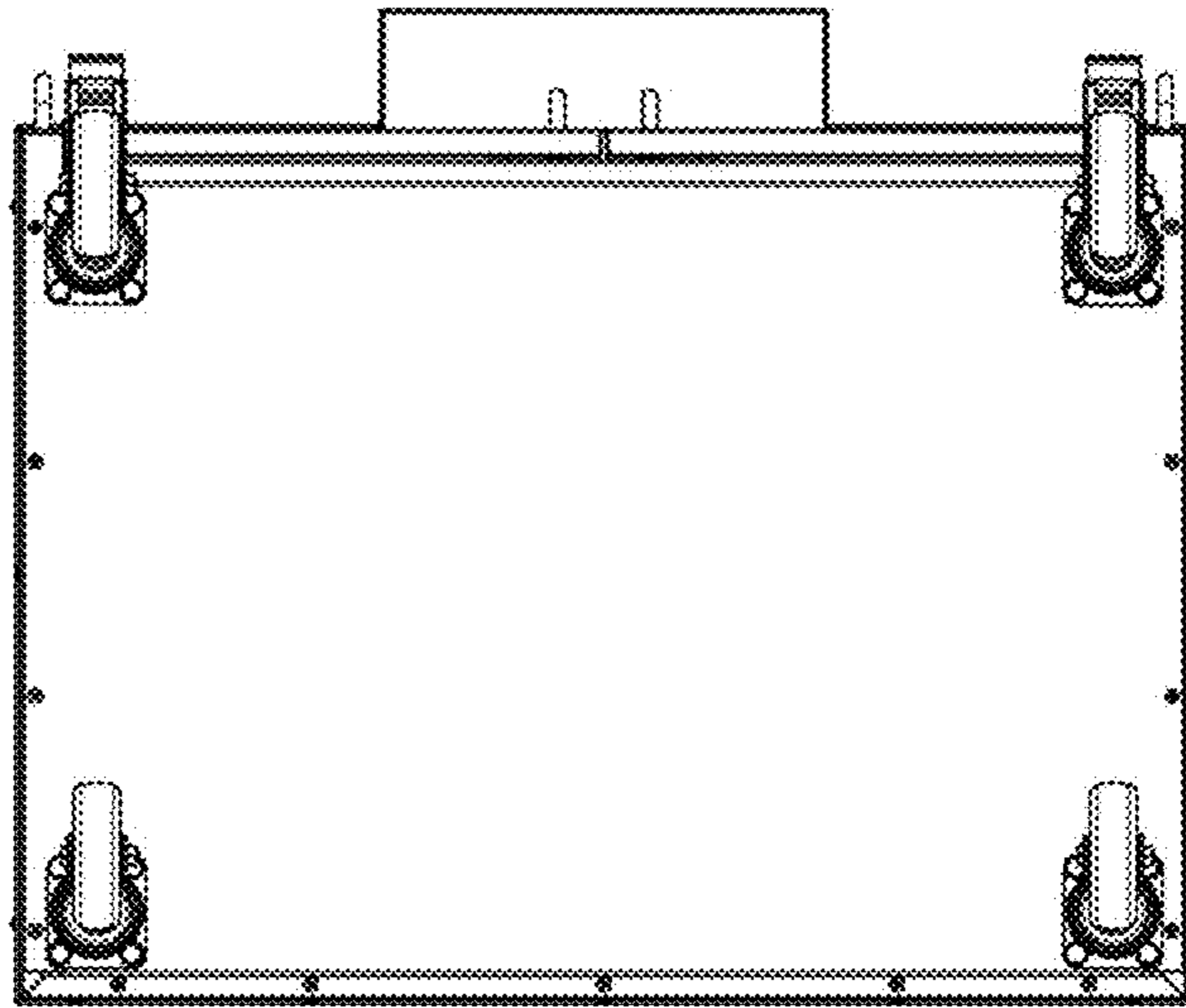
1.2



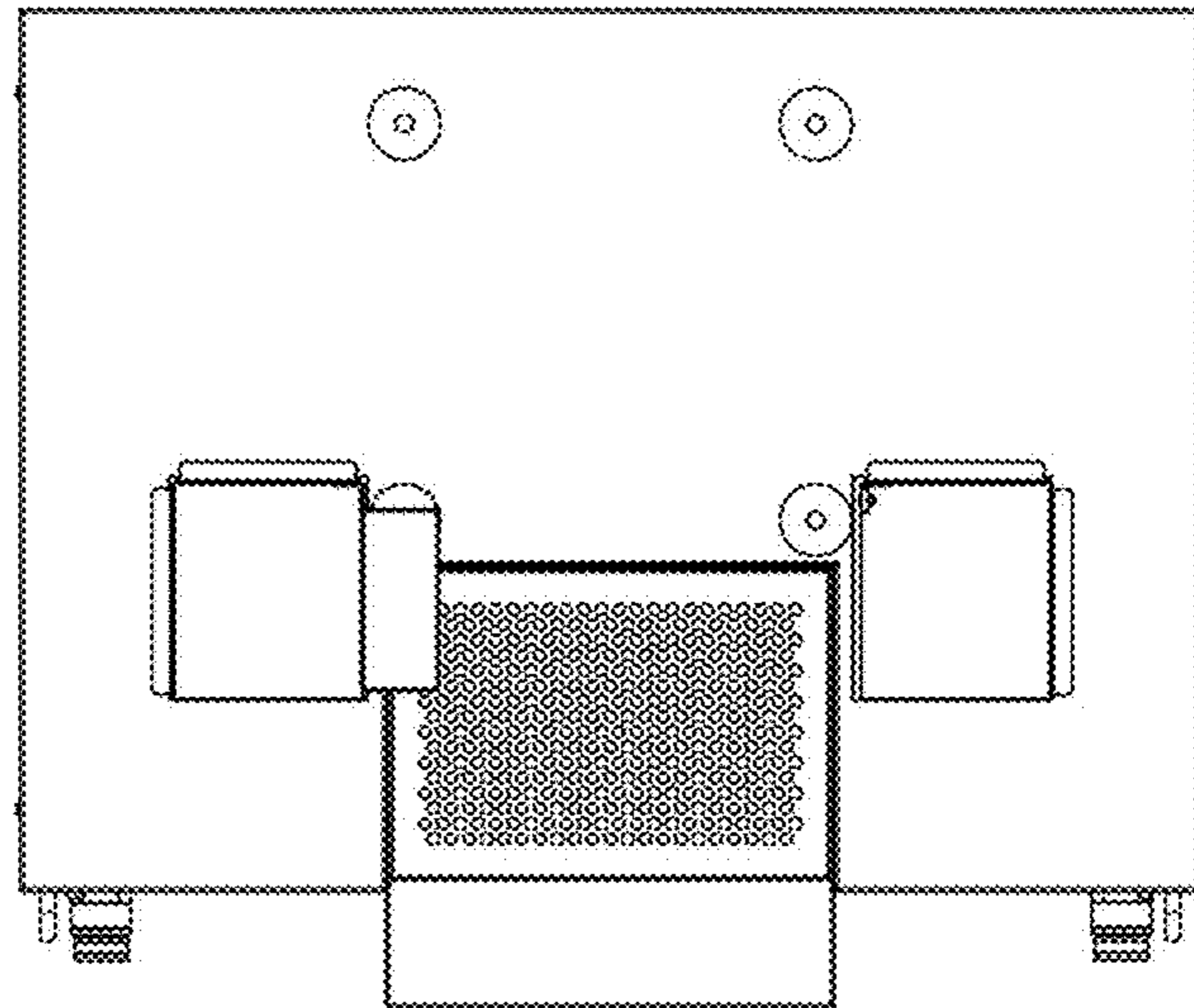
1.3



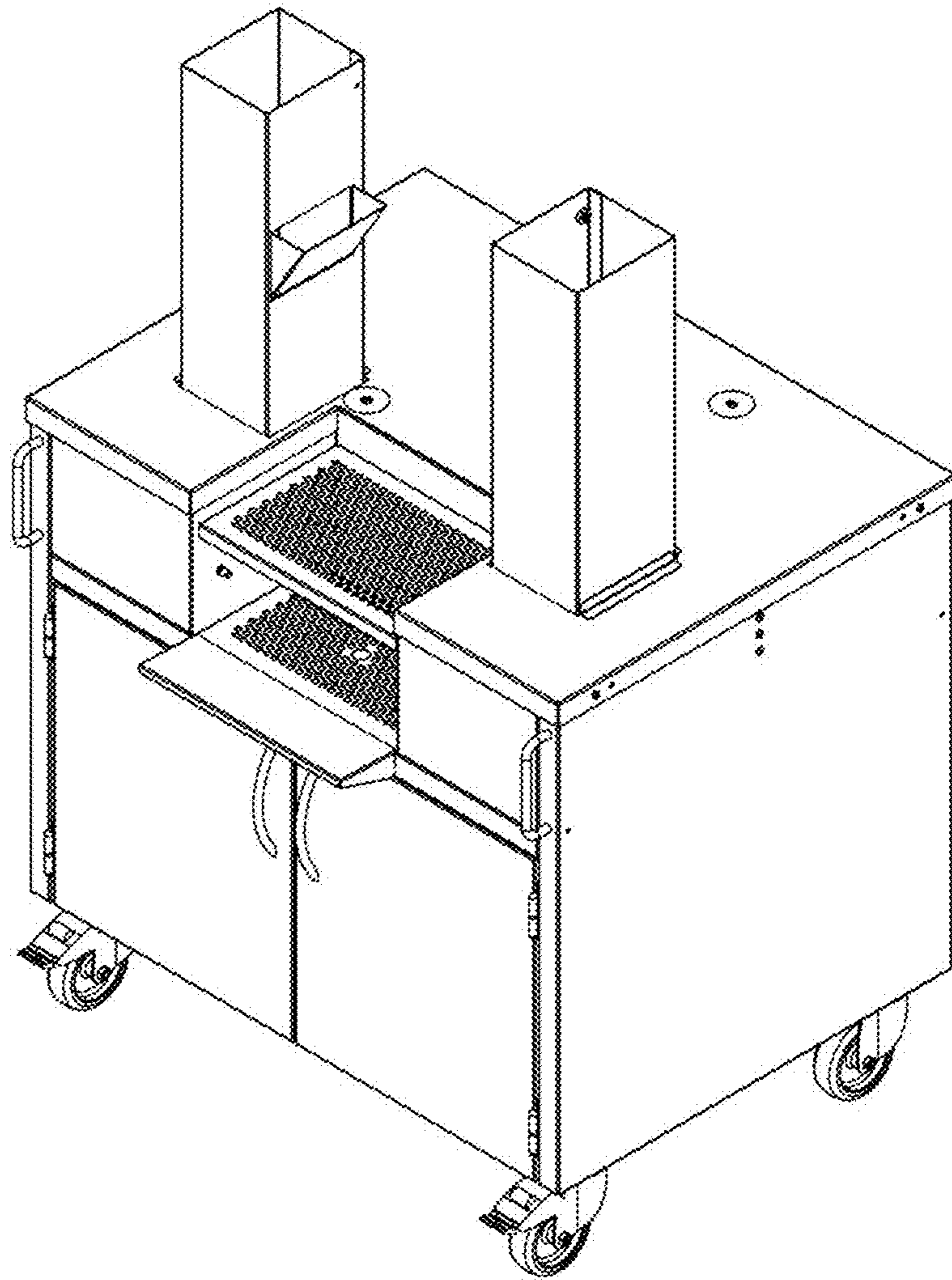
1.4



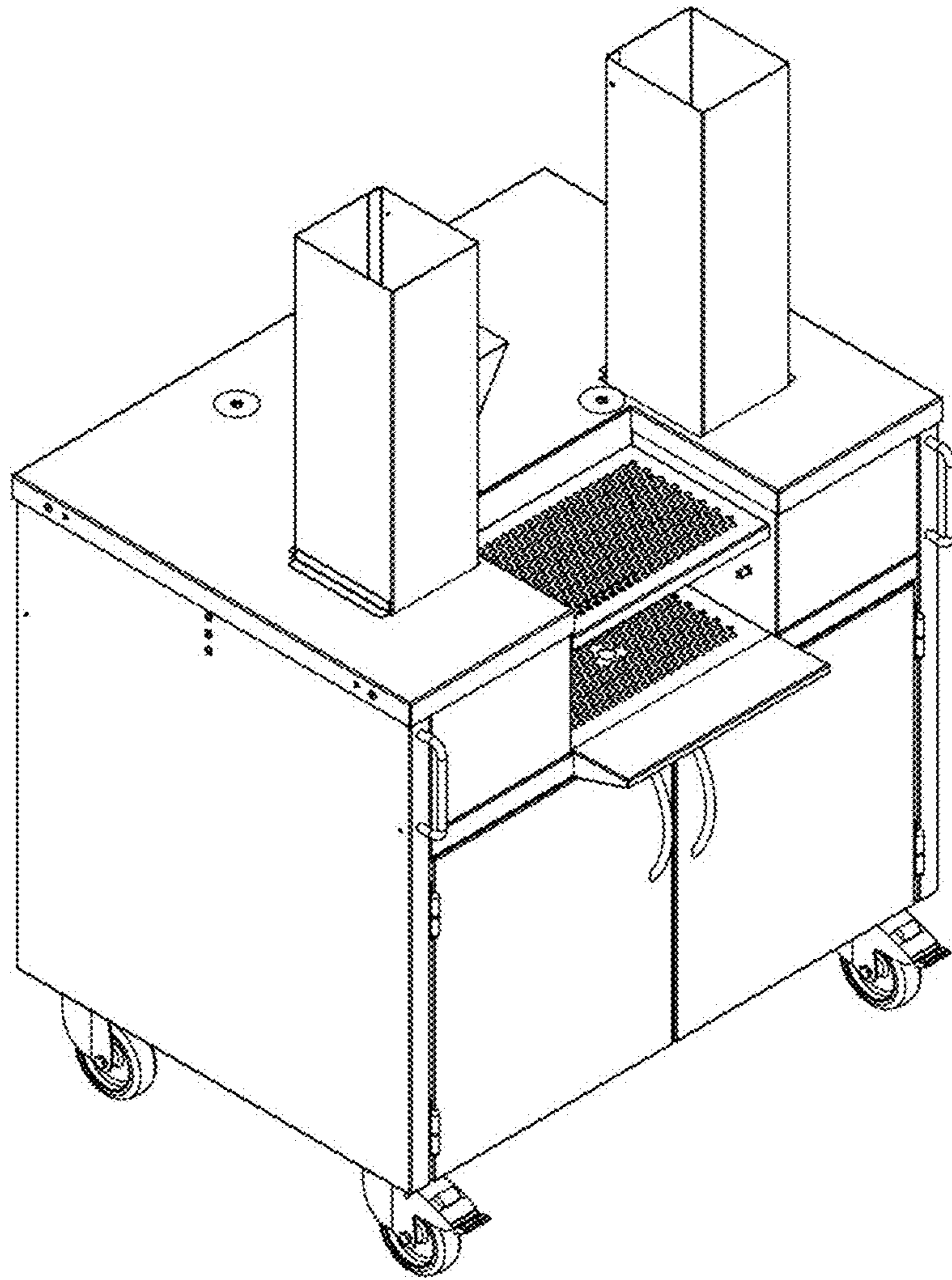
1.5



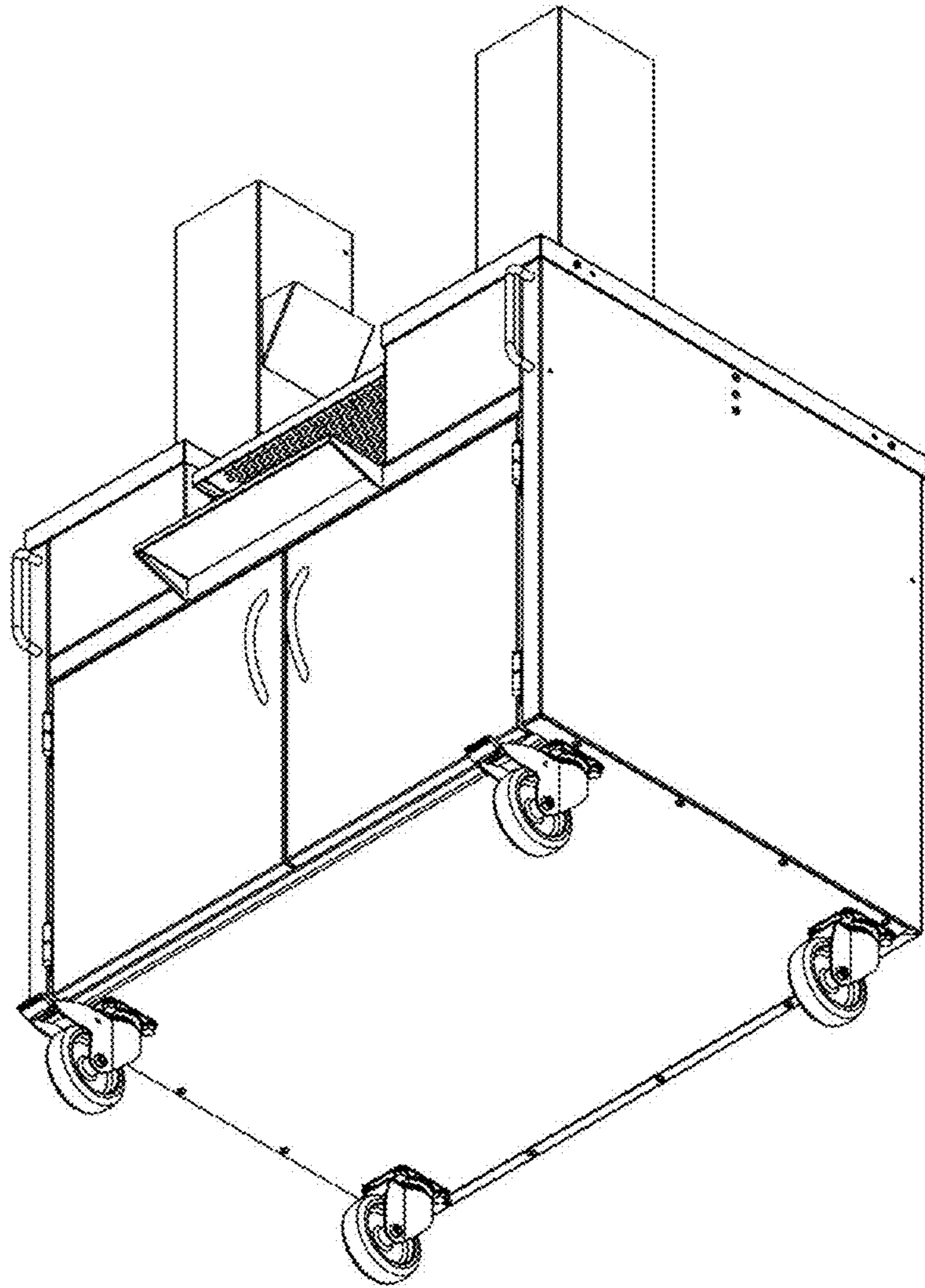
1.6



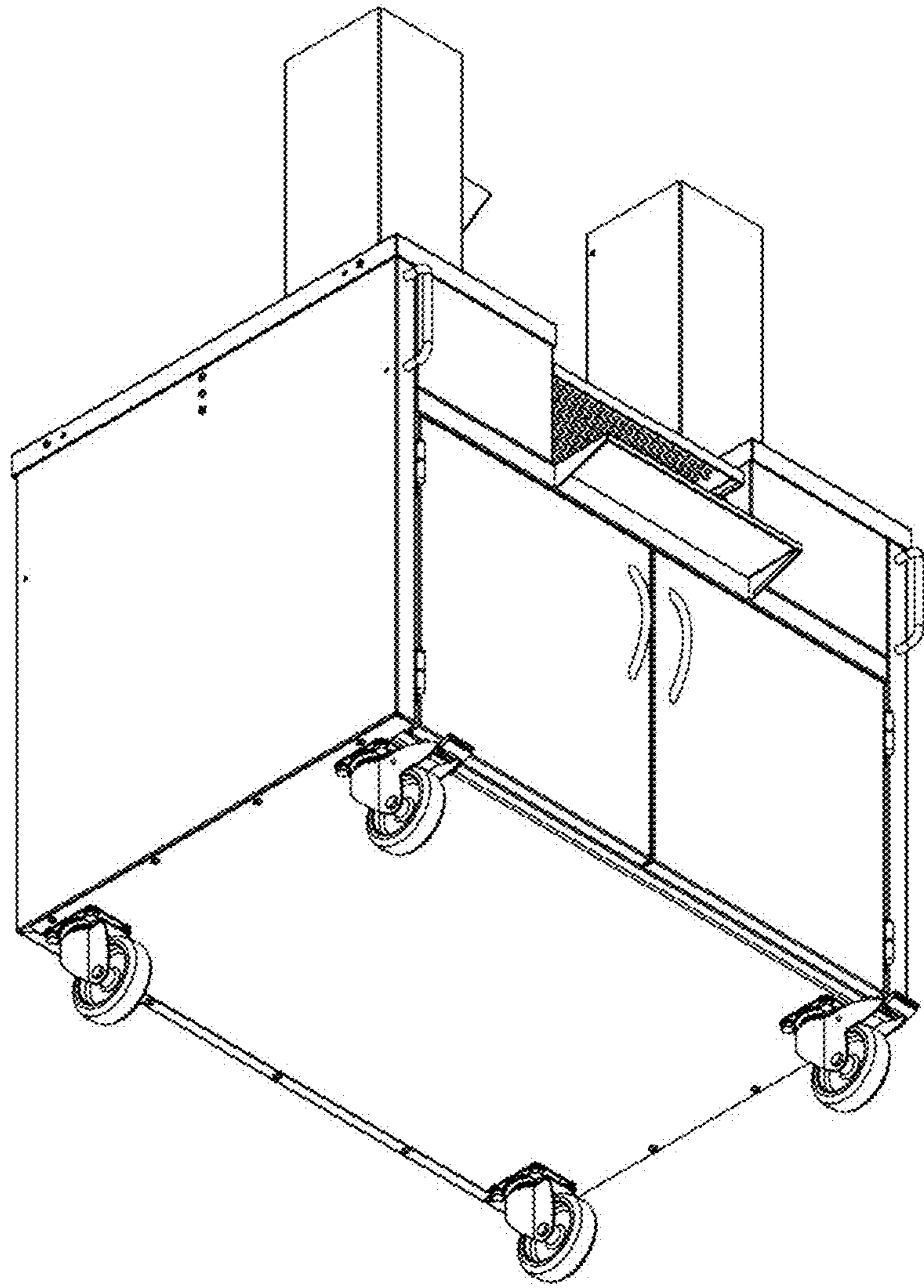
1.7



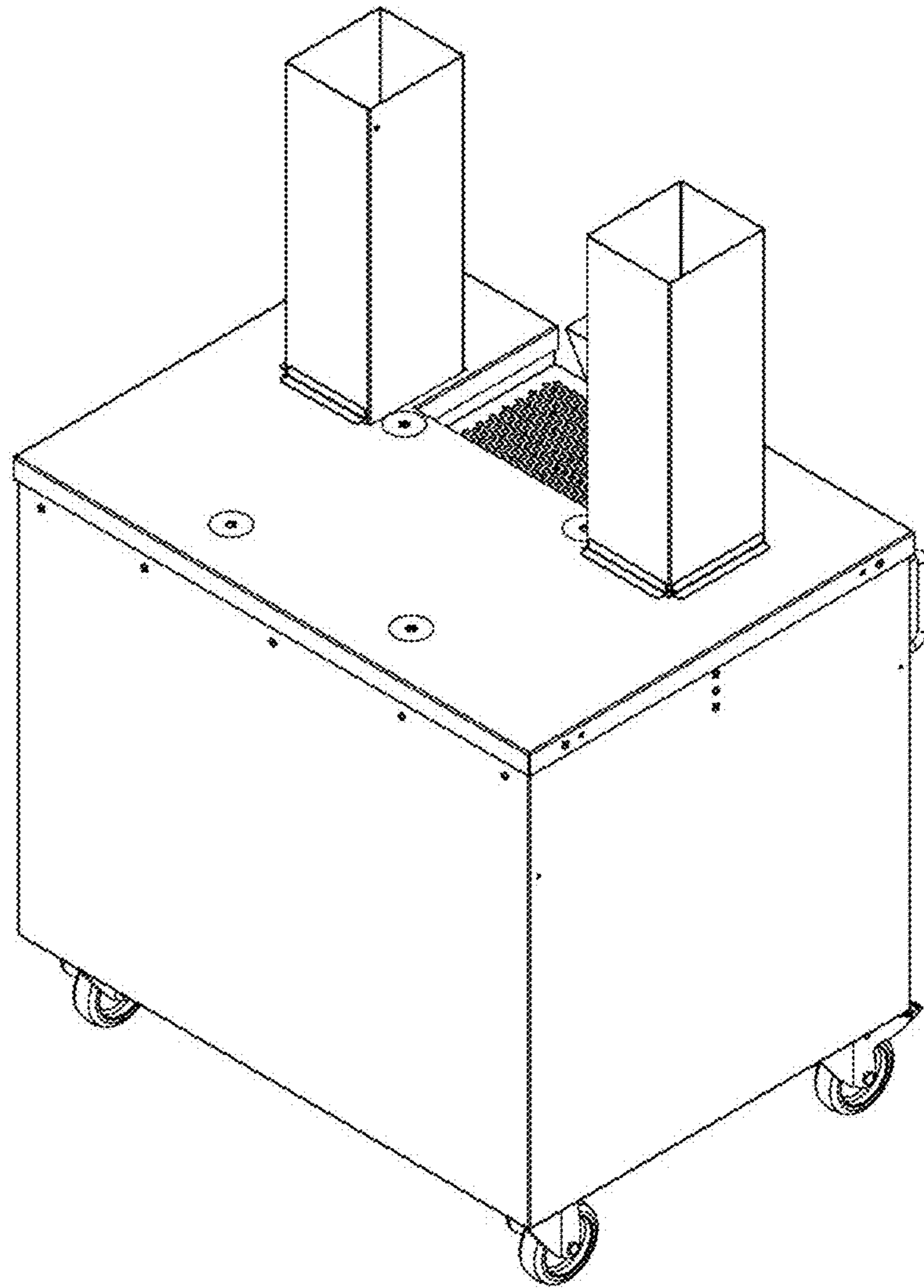
1.8



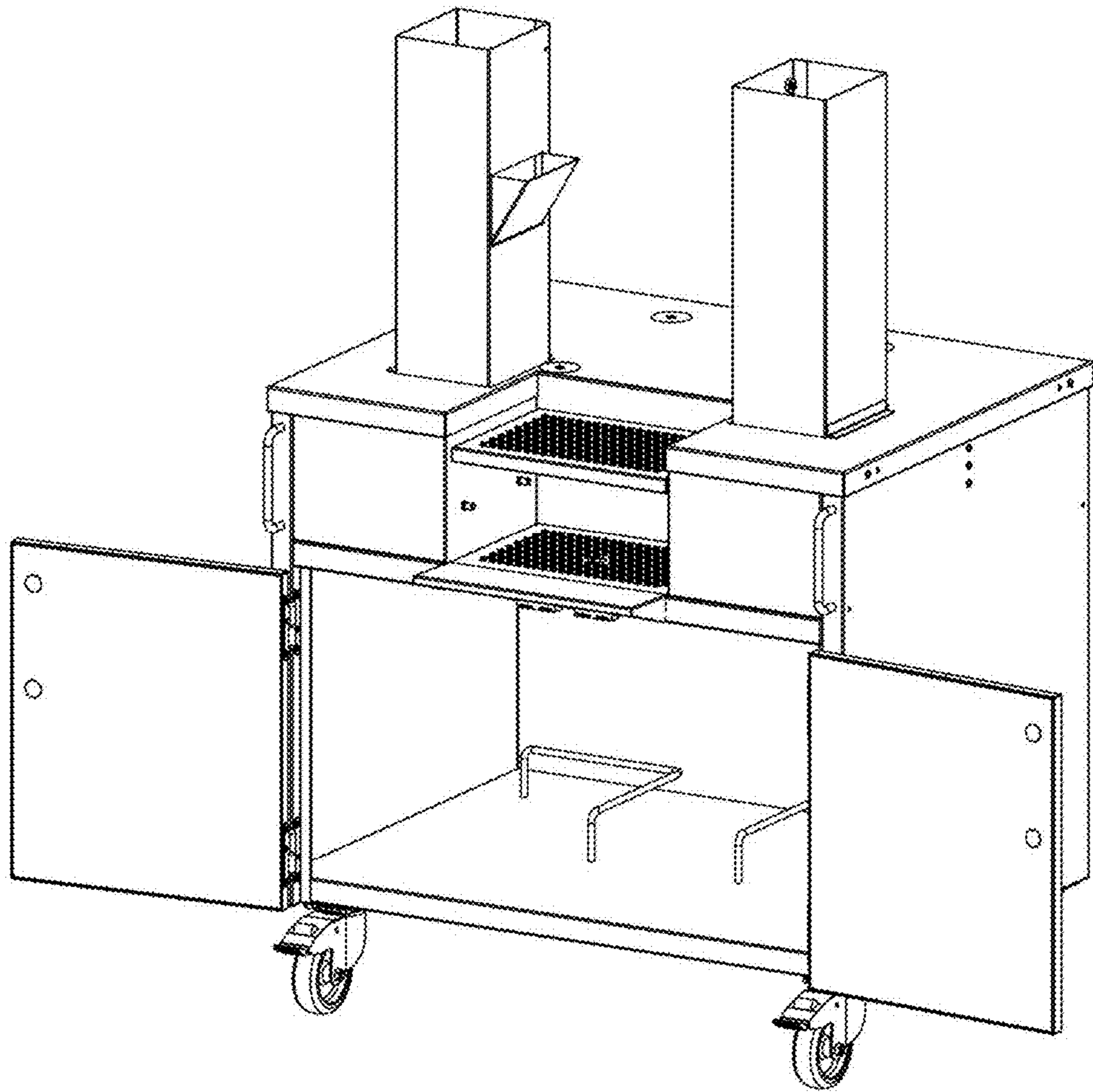
1.9



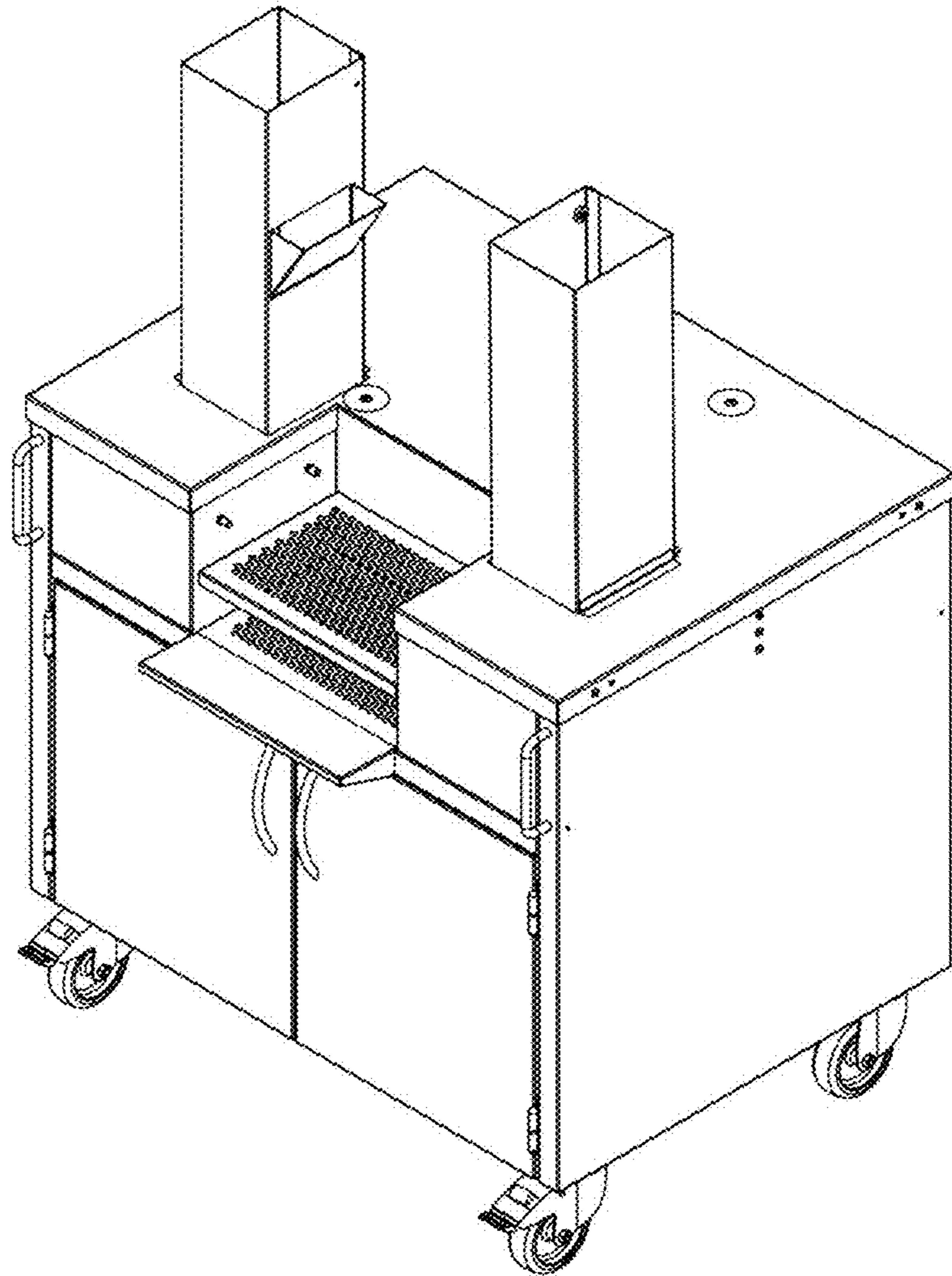
1.10



1.11



1.12



1.13

