



US00D889060S

(12) **United States Design Patent**  
**Dror**

(10) **Patent No.:** **US D889,060 S**

(45) **Date of Patent:** **\*\* Jun. 30, 2020**

(54) **COMPOSTER**

(56) **References Cited**

(71) Applicant: **D. F. OMER LTD**, Tel Aviv (IL)

U.S. PATENT DOCUMENTS

(72) Inventor: **Yinon Dror**, Kfar Yona (IL)

D352,580 S *	11/1994	Cook	.....	D34/1
D602,222 S *	10/2009	Stanford	.....	D34/1
D642,350 S *	7/2011	Messalem	.....	D34/1
D799,135 S *	10/2017	Dror	.....	D34/1
D799,774 S *	10/2017	Dror	.....	D34/1
D817,577 S *	5/2018	Cronkhite	.....	D34/1
D817,582 S *	5/2018	Parcells	.....	D34/7
D850,747 S *	6/2019	Zhang	.....	D34/1

(73) Assignee: **D. F. OMER LTD.**, Tel Aviv (IL)

(\*\*) Term: **15 Years**

\* cited by examiner

(21) Appl. No.: **29/663,248**

(22) Filed: **Sep. 13, 2018**

*Primary Examiner* — Mark A Goodwin

(51) **LOC (12) Cl.** ..... **09-09**

(74) *Attorney, Agent, or Firm* — Troutman Sanders LLP

(52) **U.S. Cl.**

(57) **CLAIM**

USPC ..... **D34/1**

The ornamental design for a composter, as shown and described.

(58) **Field of Classification Search**

**DESCRIPTION**

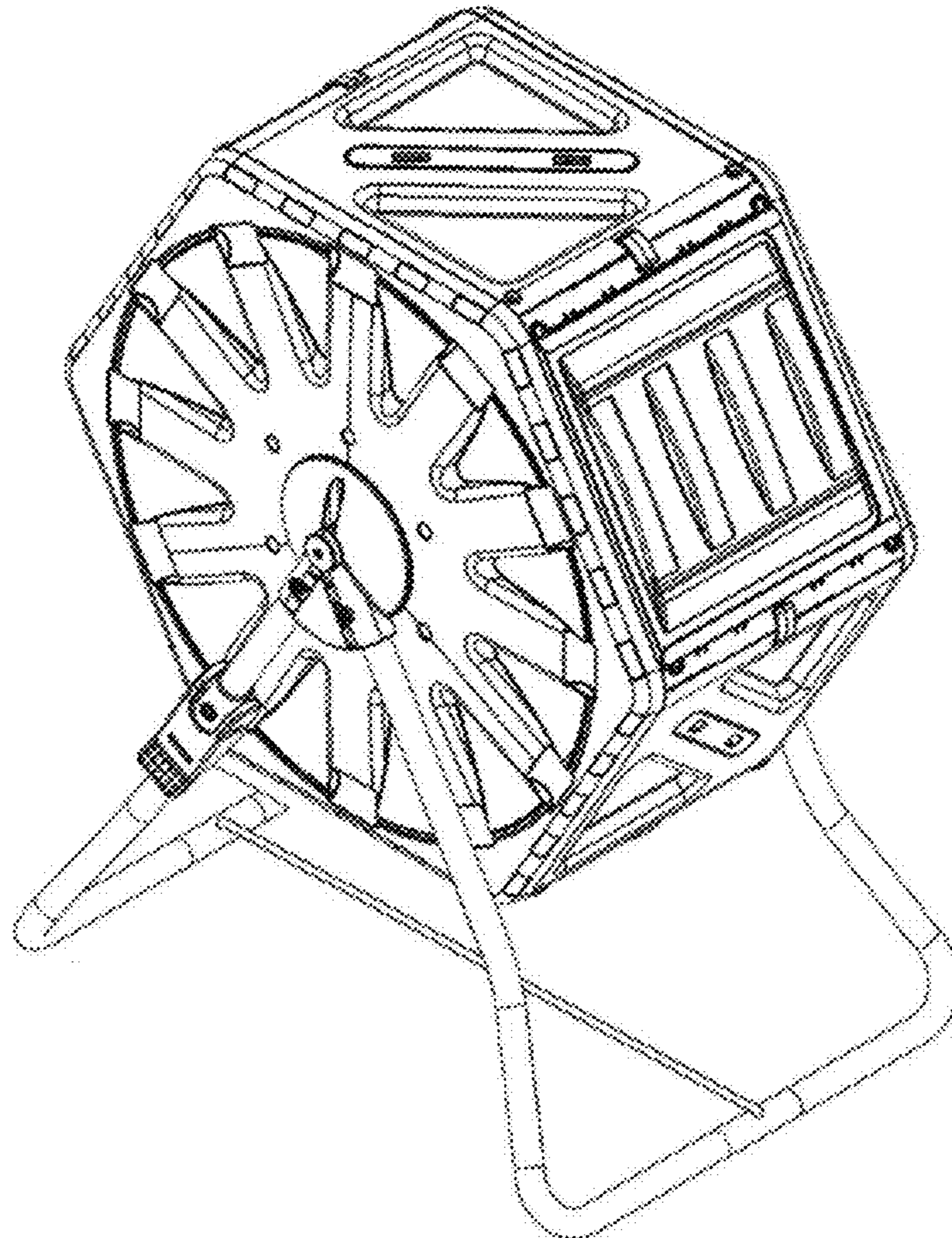
USPC ..... D34/1-11; D15/10, 199; D22/146;  
D23/204; D21/781, 782; 220/908-911,  
220/422, 628

FIG. 1 is a front, left, top perspective view of an example of a composter;  
FIG. 2 is a left side view of the composter of FIG. 1;  
FIG. 3 is a rear view of the composter of FIG. 1;  
FIG. 4 is a bottom view of the composter of FIG. 1; and,  
FIG. 5 is a top view of the composter of FIG. 1.

CPC ..... B65F 1/1473; B65F 1/1452; B65F  
2001/1489; C05F 17/02; C05F 17/0205;  
C05F 17/0223; C05F 17/0258; C12M  
1/10; C12M 1/00; Y02P 20/145; Y02W  
30/43

See application file for complete search history.

**1 Claim, 3 Drawing Sheets**



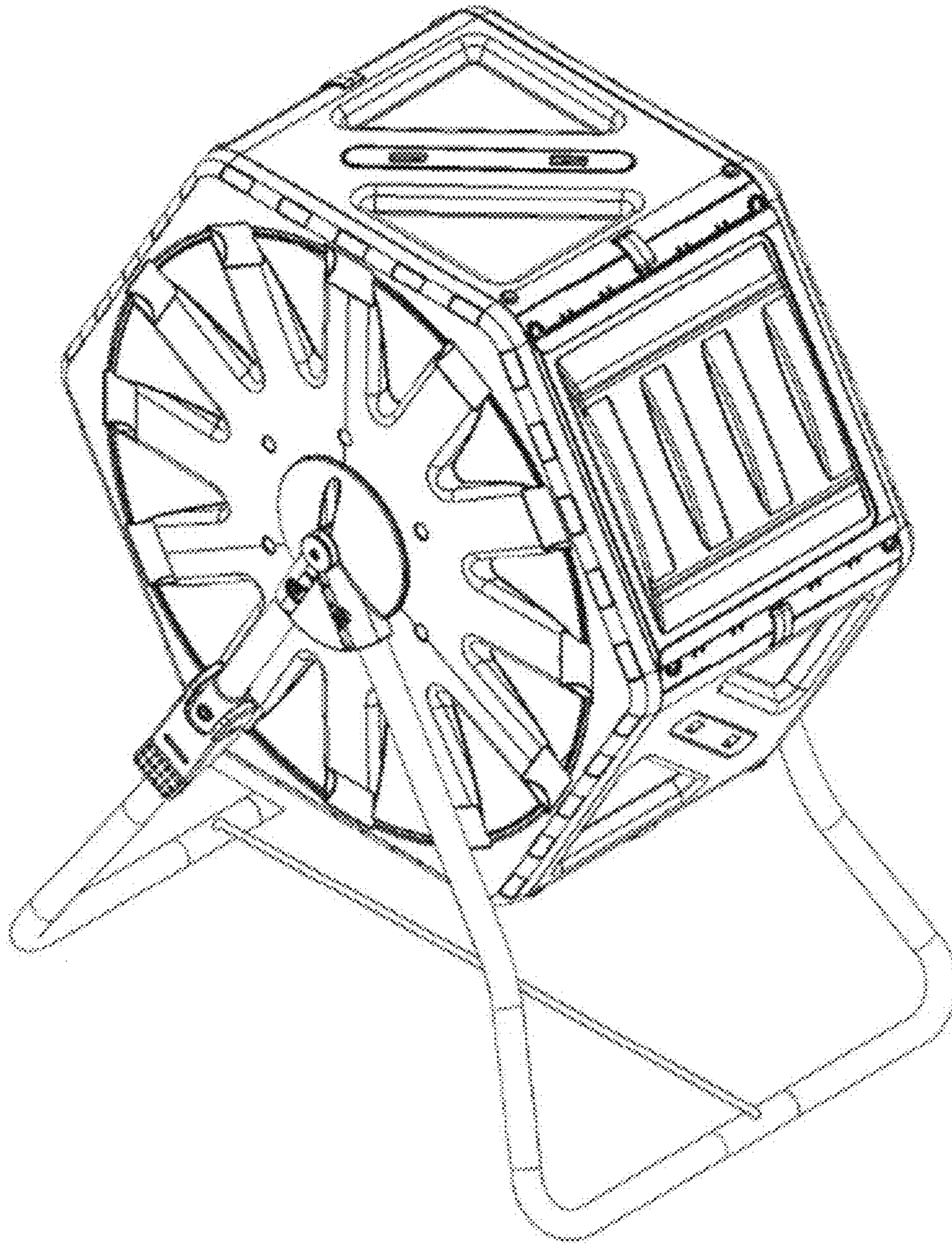


FIG. 1

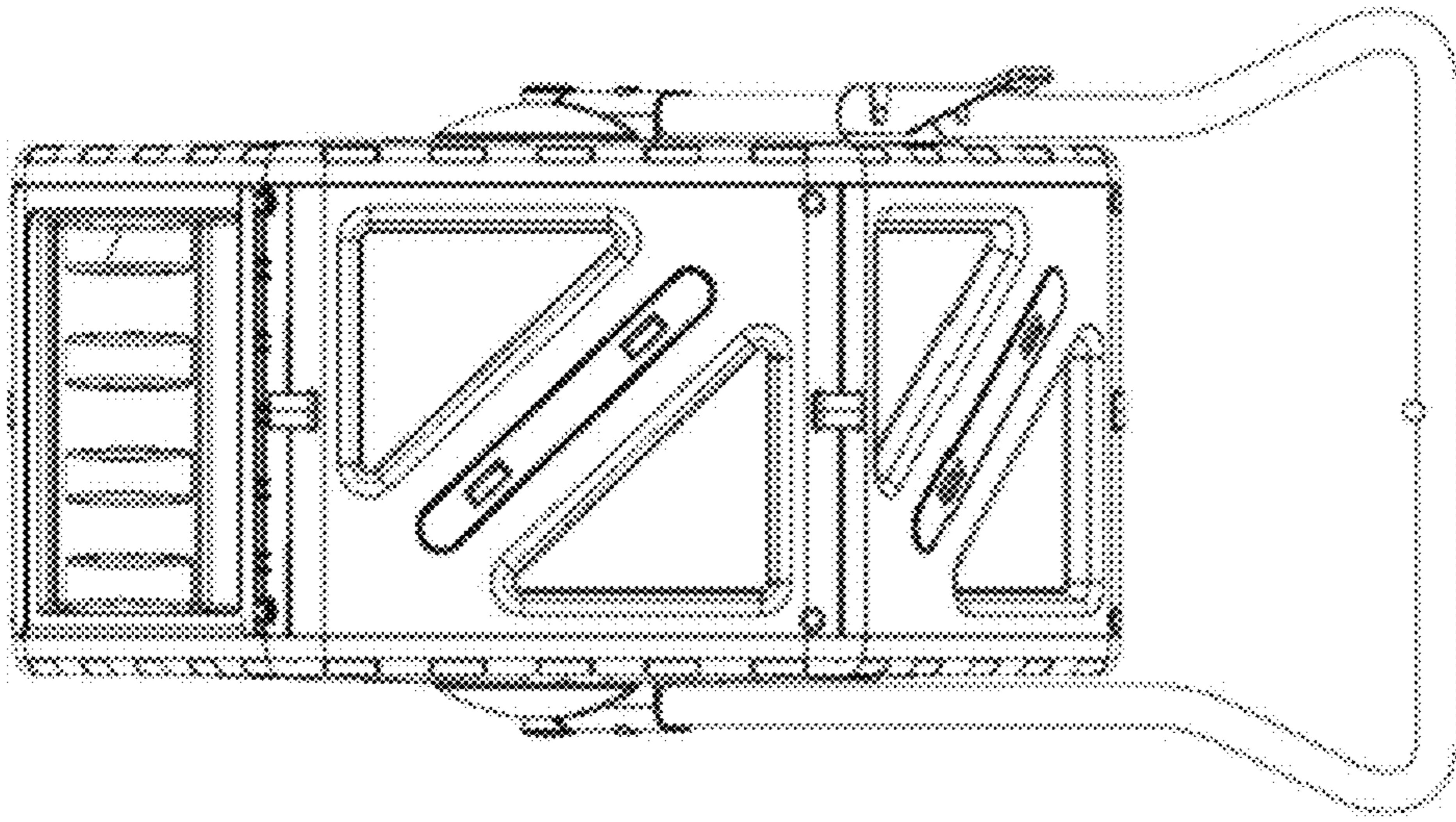


FIG. 3

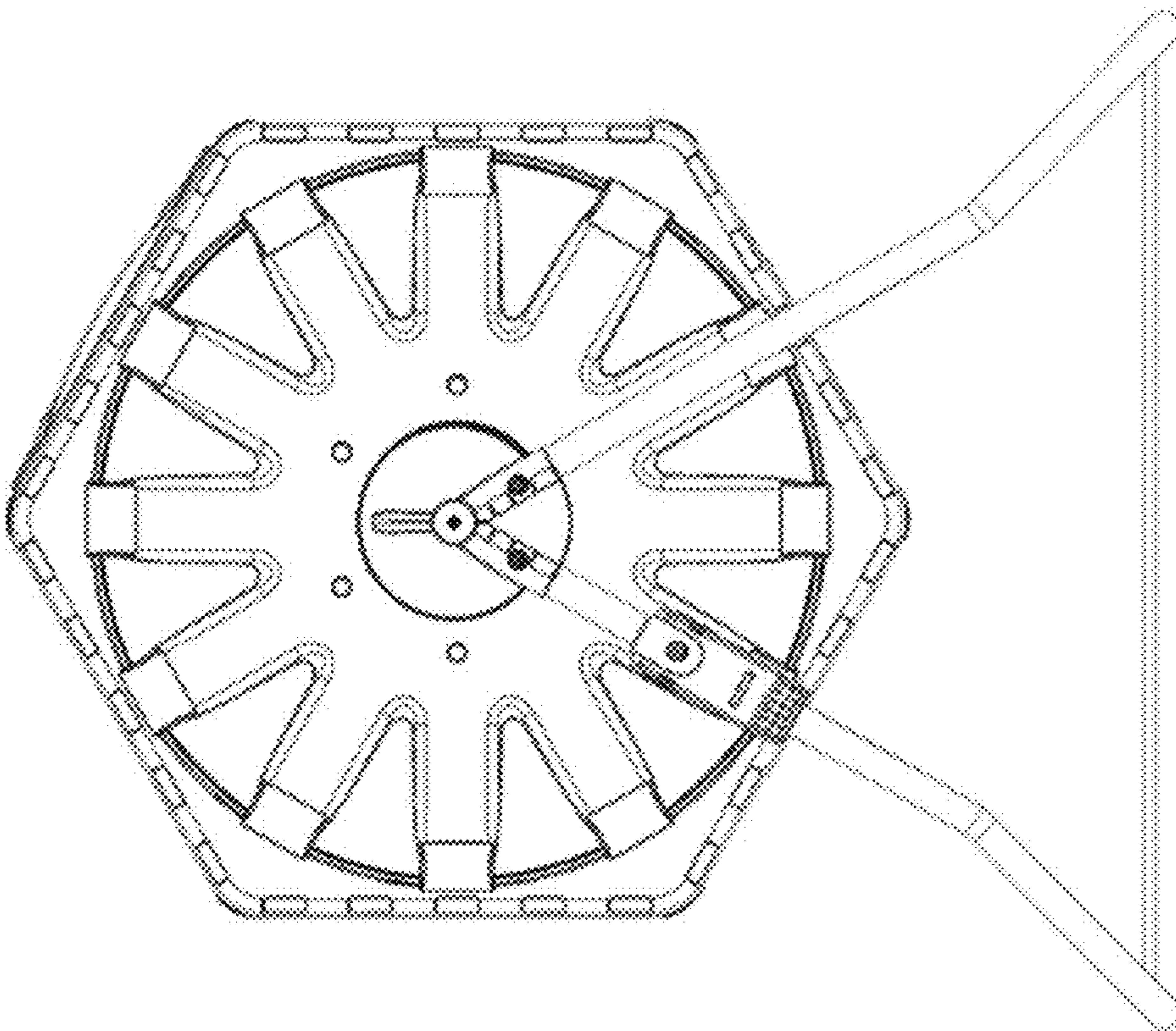


FIG. 2

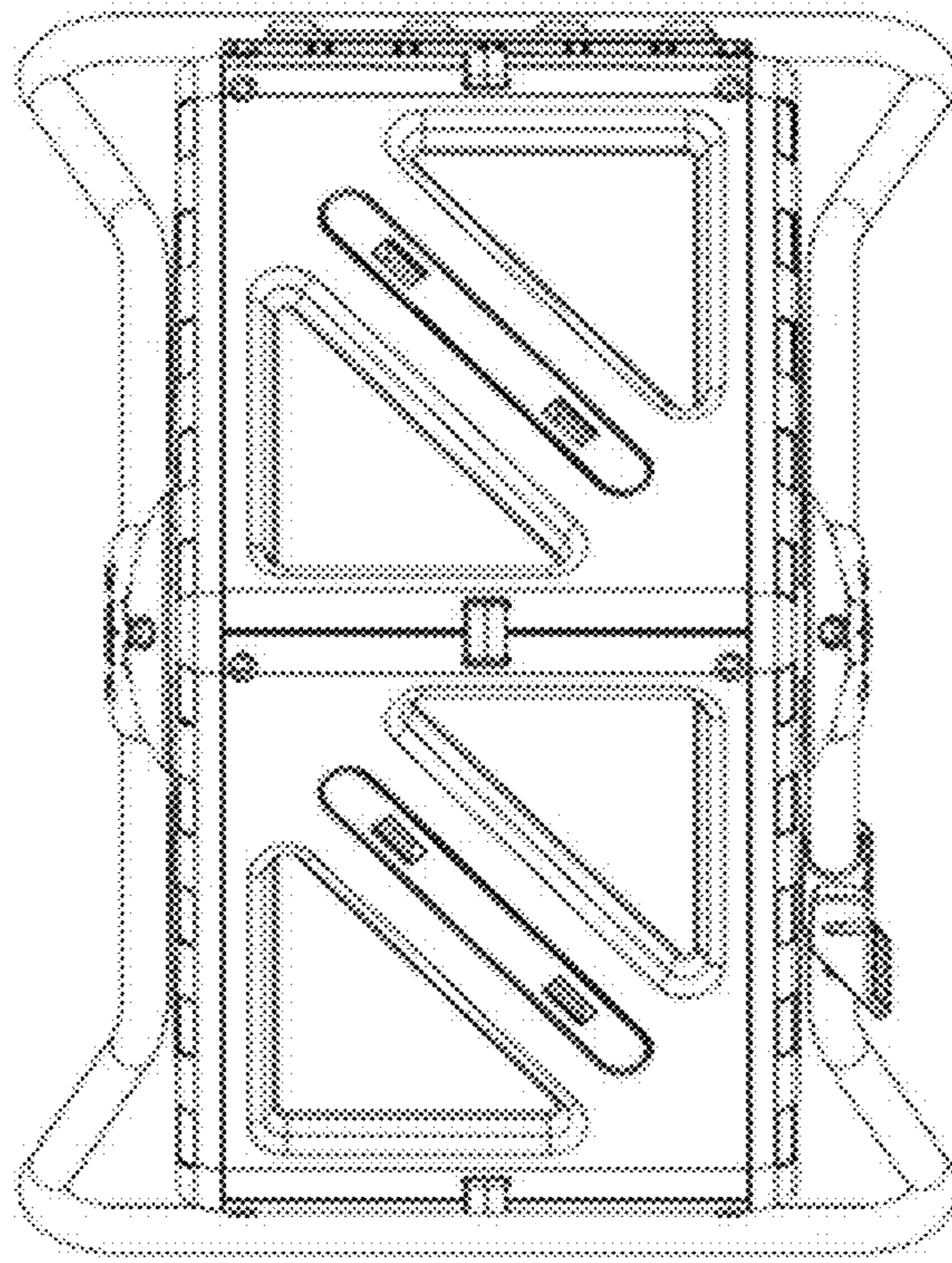


FIG. 5

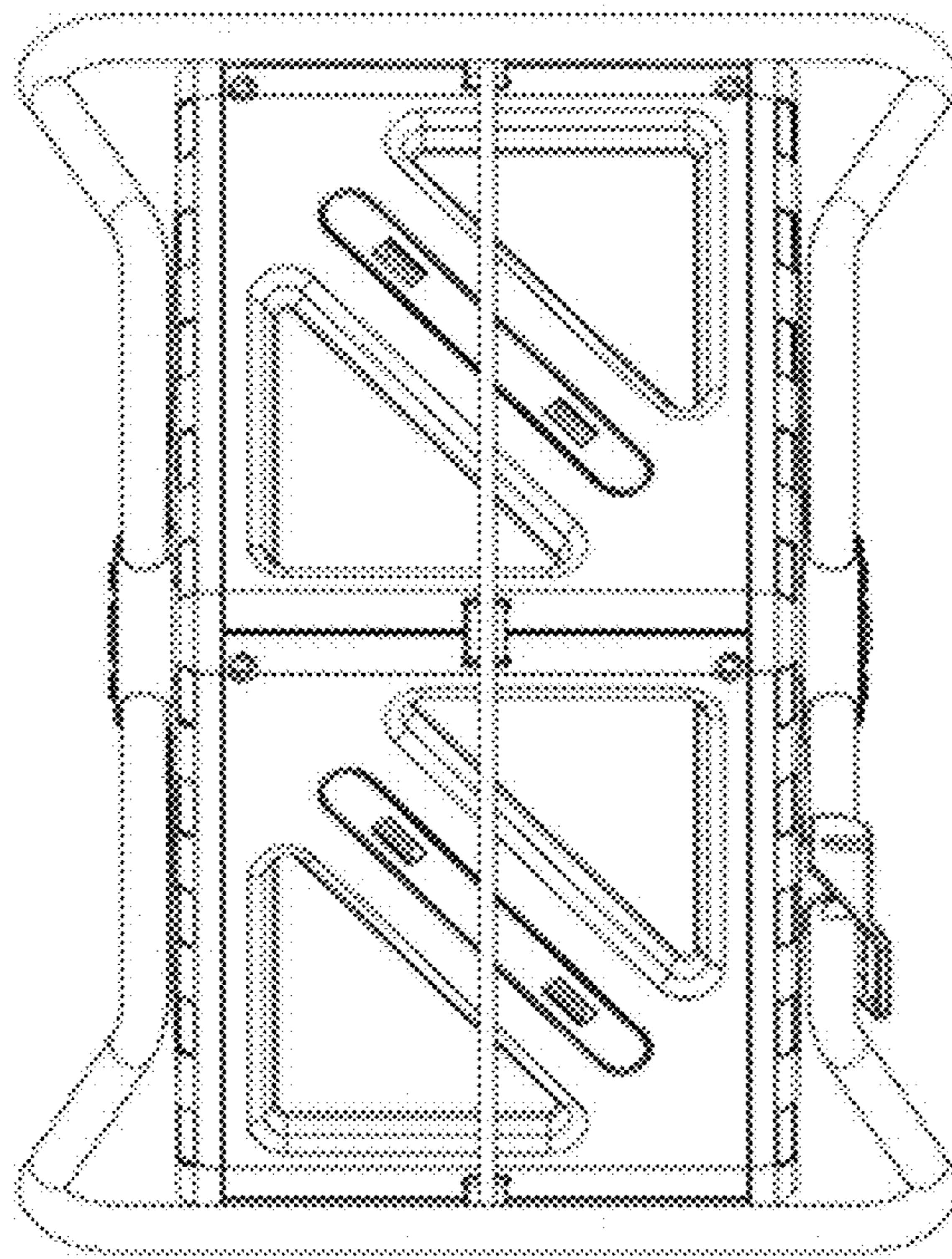


FIG. 4