



US00D889059S

(12) **United States Design Patent**  
**Ha et al.**

(10) **Patent No.:** **US D889,059 S**  
(45) **Date of Patent:** **\*\* Jun. 30, 2020**

- (54) **WASHING MACHINE LIFTER**
- (71) Applicant: **LG ELECTRONICS INC.,** Seoul (KR)
- (72) Inventors: **Youngsoo Ha,** Seoul (KR); **Eunyoung Chee,** Seoul (KR); **Wookjun Chung,** Seoul (KR); **Kyungah Lee,** Seoul (KR)
- (73) Assignee: **LG ELECTRONICS INC.,** Seoul (KR)
- (\*\*) Term: **15 Years**
- (21) Appl. No.: **35/506,842**
- (22) Filed: **Oct. 30, 2018**

D713,106	S	*	9/2014	Reger	.....	D32/29
D720,901	S	*	1/2015	Bangle	.....	D32/29
D722,212	S	*	2/2015	Kim	.....	D32/29
D722,733	S	*	2/2015	Kim	.....	D32/29
D773,763	S	*	12/2016	Hwang	.....	D32/29
D789,630	S	*	6/2017	Hwang	.....	D32/29
D852,441	S	*	6/2019	Bauman	.....	D32/26
D876,737	S	*	2/2020	Bauman	.....	D32/26
2008/0265074	A1	*	10/2008	Melo	.....	B02C 17/22 241/299
2009/0071202	A1	*	3/2009	Lee	.....	D06F 37/06 68/212
2010/0205826	A1	*	8/2010	Ashrafzadeh	.....	D06F 34/22 34/499
2011/0258872	A1	*	10/2011	Kim	.....	D06F 37/02 34/85
2014/0001934	A1	*	1/2014	Batur	.....	D06F 39/12 312/228

\* cited by examiner

(80) **Hague Agreement Data**

Int. Filing Date: **Oct. 30, 2018**  
 Int. Reg. No.: **DM/201027**  
 Int. Reg. Date: **Oct. 30, 2018**  
 Int. Reg. Pub. Date: **May 31, 2019**

*Primary Examiner* — Khawaja Anwar

(74) *Attorney, Agent, or Firm* — Birch, Stewart, Kolasch & Birch, LLP

- (51) **LOC (12) Cl.** ..... **32-01**
- (52) **U.S. Cl.**  
USPC ..... **D32/29**

(57) **CLAIM**

The ornamental design for washing machine lifter, as shown and described.

(58) **Field of Classification Search**

USPC ..... D32/1-6, 25, 28, 29  
 CPC ..... D06F 58/10; D06F 11/00; D06F 2105/24;  
 D06F 33/00; D06F 39/008; D06F 39/02;  
 D06F 39/022; D06F 39/028; D06F 39/04;  
 D06F 45/22; D06F 58/02; D06F 58/04;  
 D06F 58/20; D06F 58/30; D06F 89/00  
 See application file for complete search history.

**DESCRIPTION**

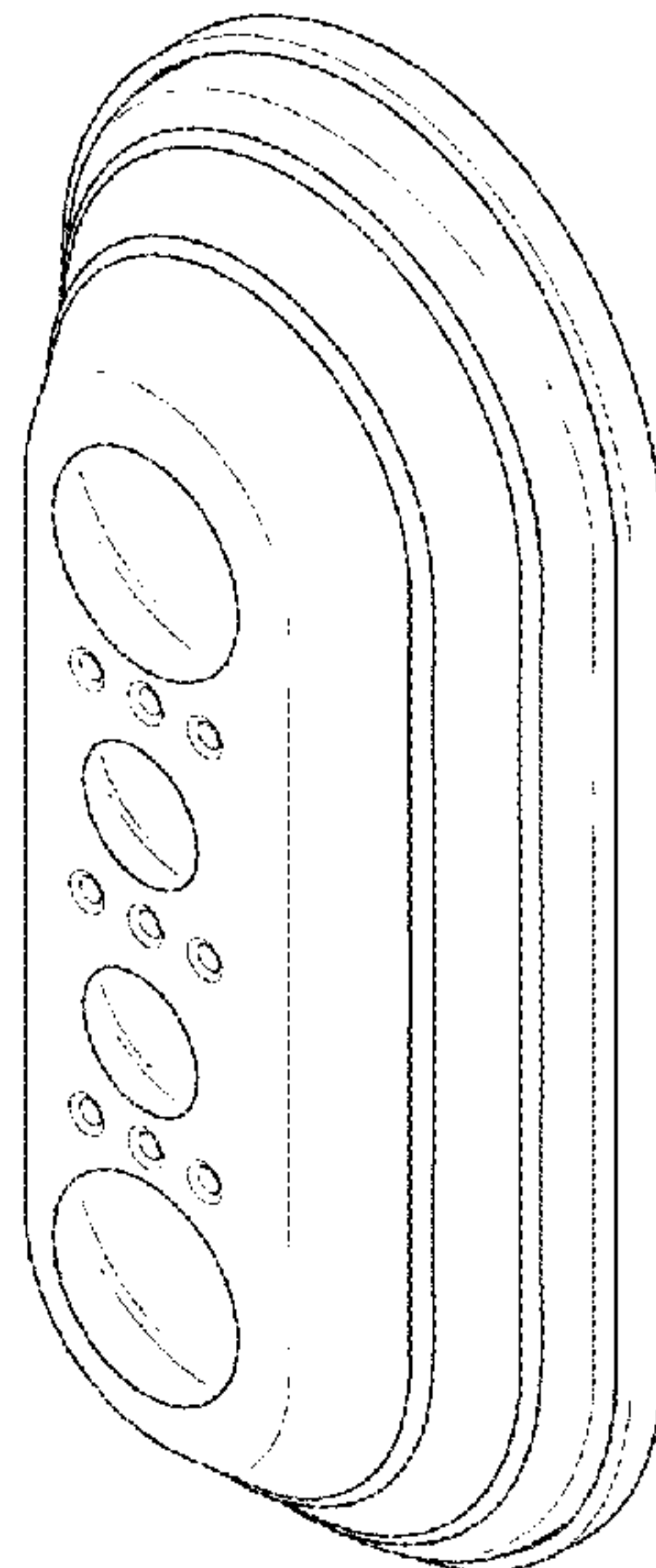
1. Washing machine drum lifter  
 FIG. 1.1 is a perspective view, showing our new design;  
 FIG. 1.2 is a front elevation view thereof;  
 FIG. 1.3 is a rear elevation view thereof;  
 FIG. 1.4 is a side elevation view thereof;  
 FIG. 1.5 is another side view thereof;  
 FIG. 1.6 is a top plan view thereof;  
 FIG. 1.7 is bottom plan view thereof; and  
 FIG. 1.8 is perspective view showing washing machine lifter in usage condition; however this view is not considered to be part of the claimed design, per applicants remarks in specification.

(56) **References Cited**

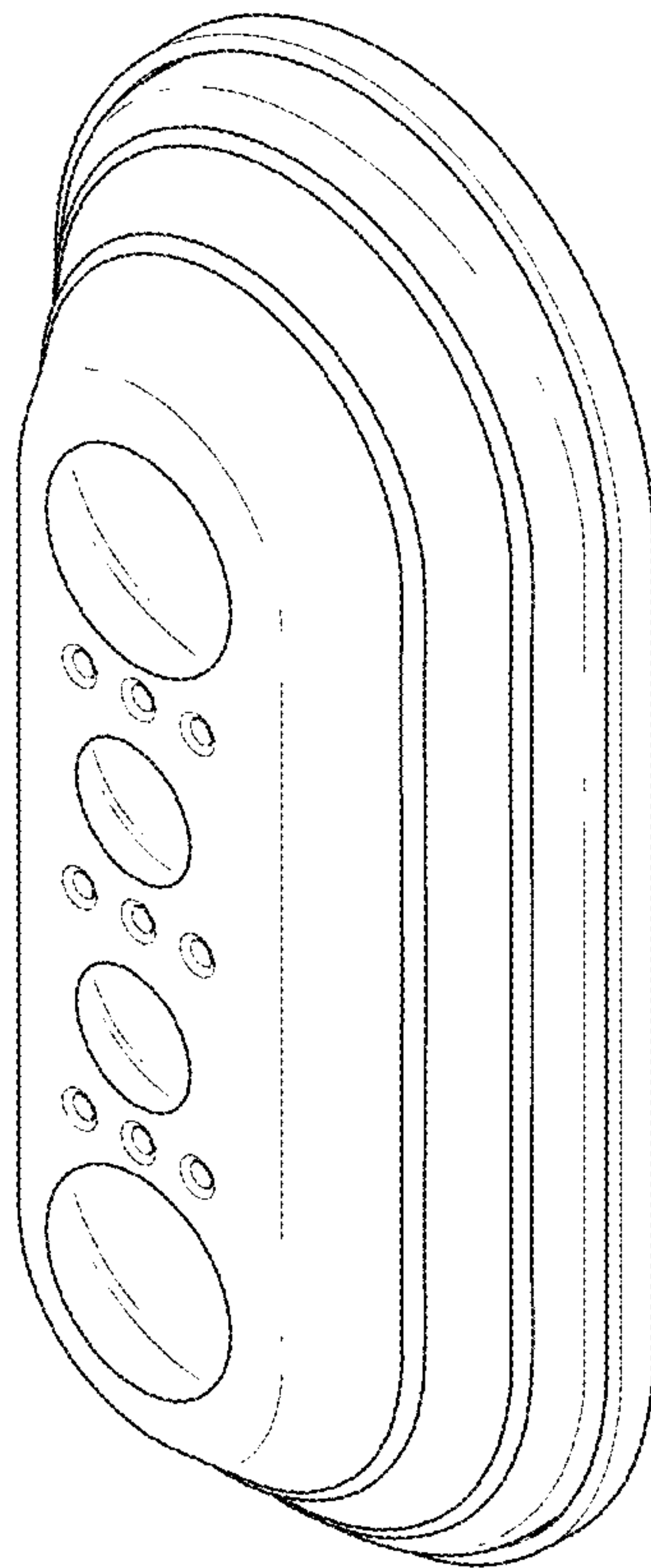
**U.S. PATENT DOCUMENTS**

- D700,411 S \* 2/2014 Ha ..... D32/29
- D713,105 S \* 9/2014 Reger ..... D32/25

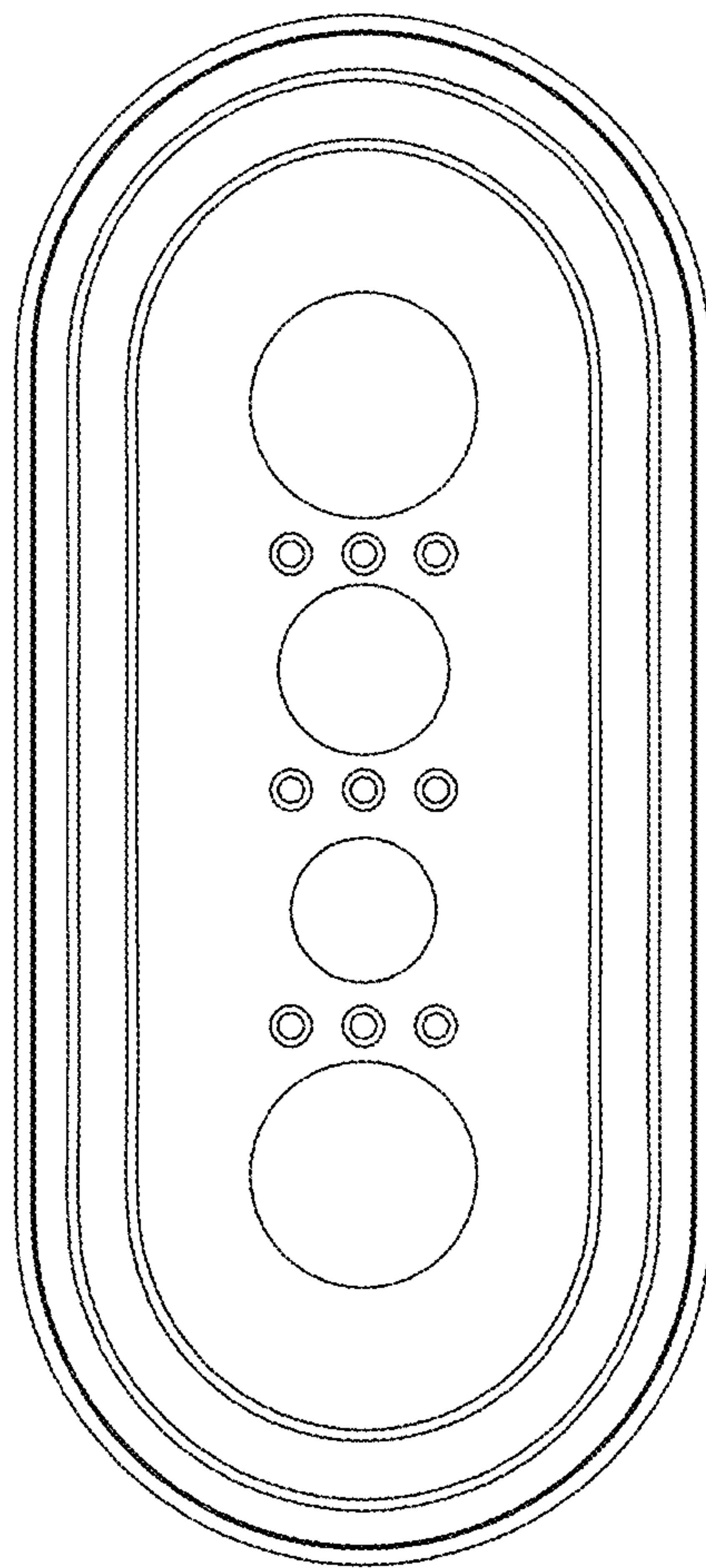
**1 Claim, 7 Drawing Sheets**



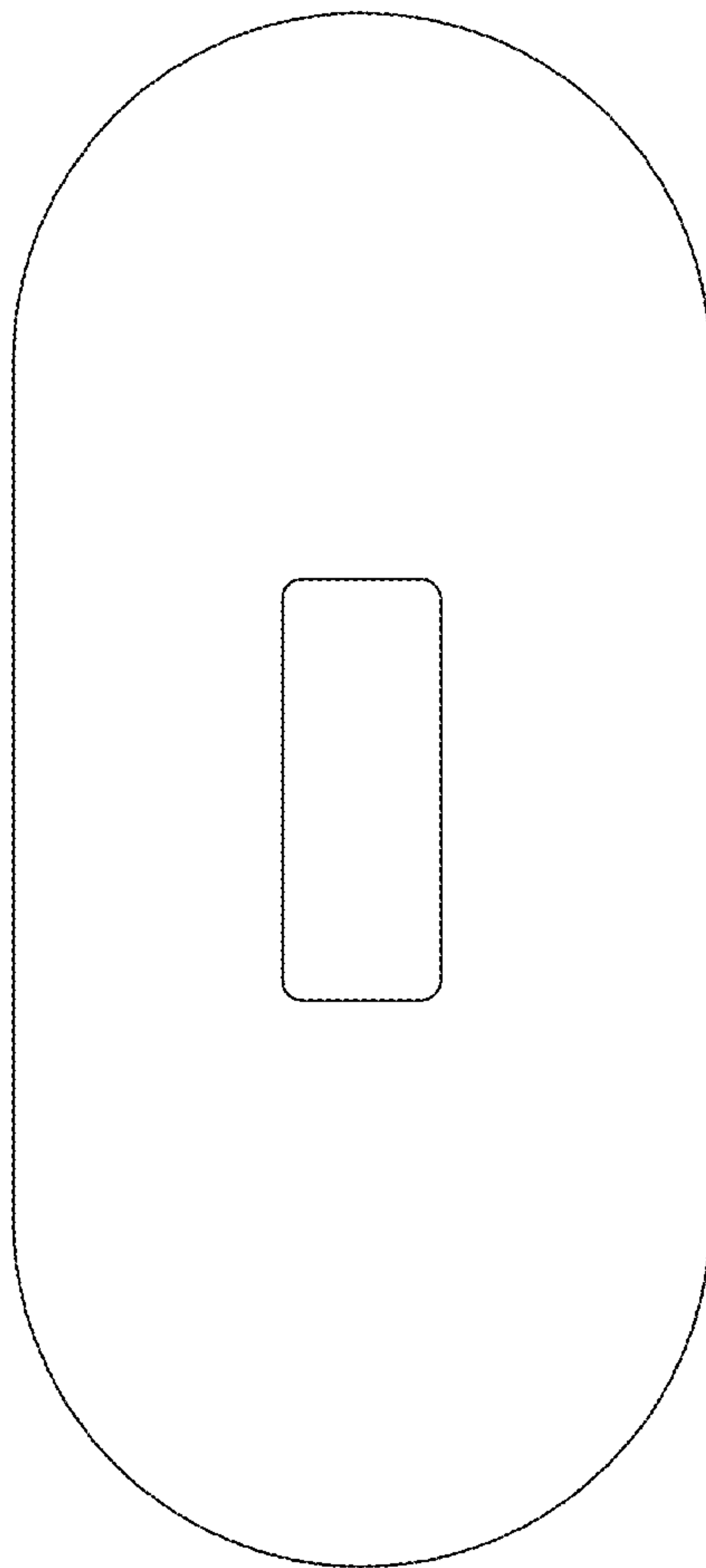
1.1



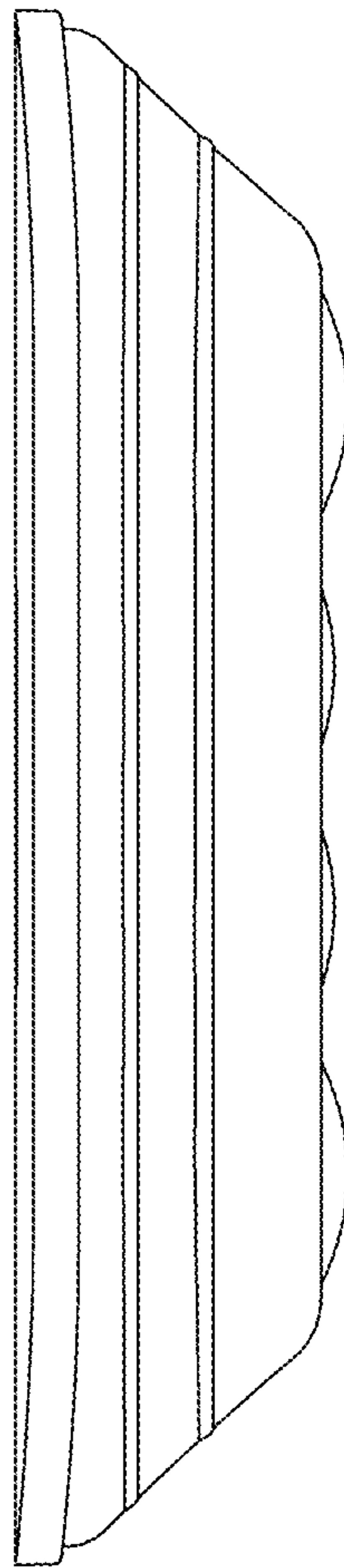
1.2



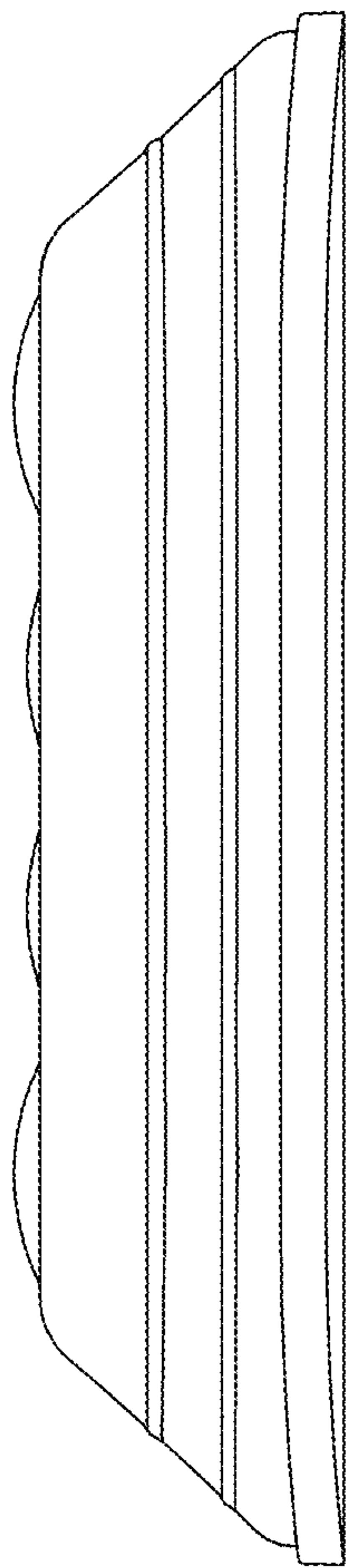
1.3



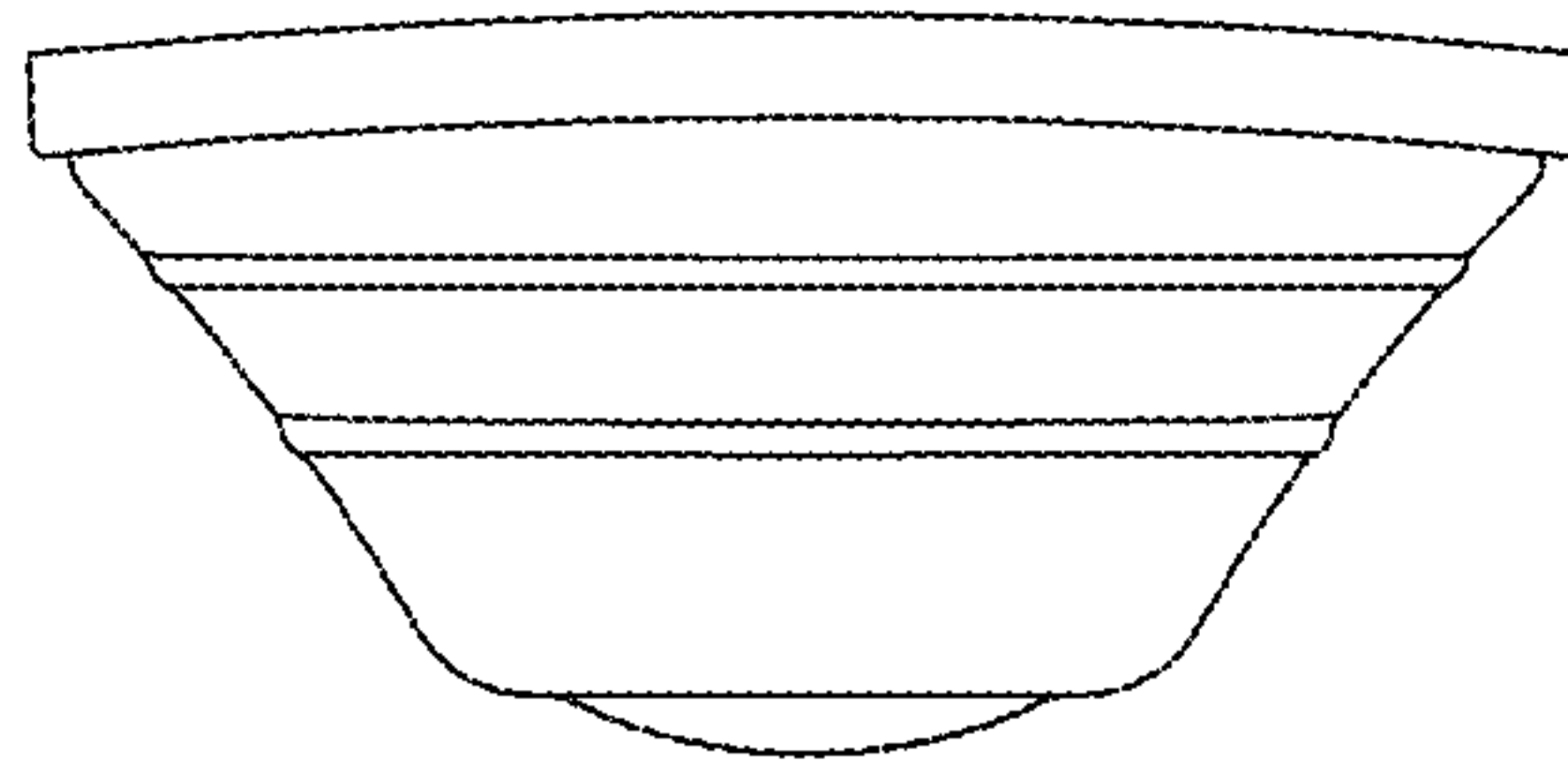
1.4



1.5



1.6



1.7

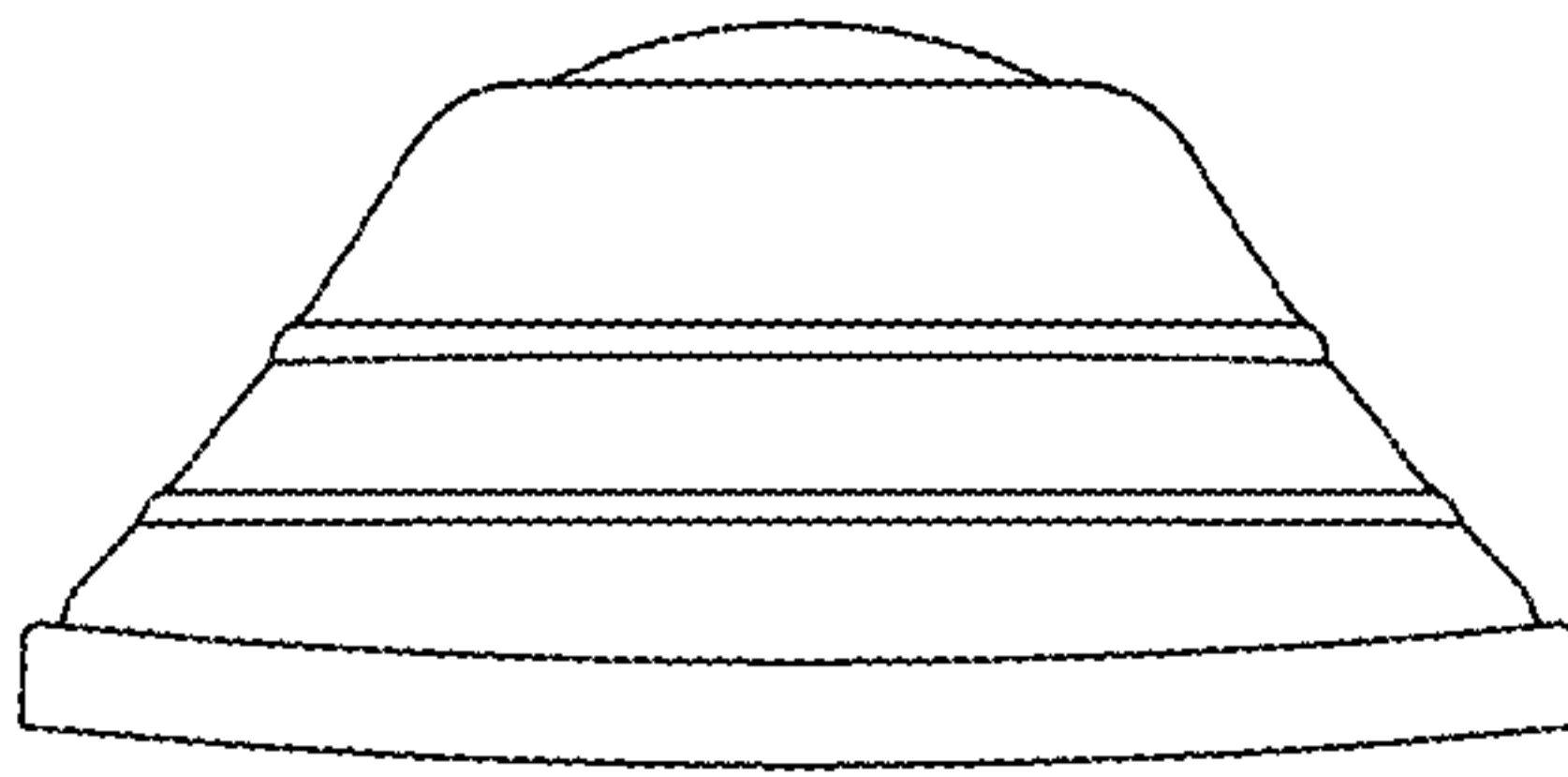




FIG. 1.8

