



US00D889058S

(12) **United States Design Patent**
Yoo et al.

(10) **Patent No.:** **US D889,058 S**
(45) **Date of Patent:** **** Jun. 30, 2020**

(54) **PET POTTY TRAY**
(71) Applicants: **Chong-Ho Yoo**, Jeollabuk-do (KR);
Mi-So Yoo, Gwangju (KR)
(72) Inventors: **Chong-Ho Yoo**, Jeollabuk-do (KR);
Mi-So Yoo, Gwangju (KR)
(**) Term: **15 Years**
(21) Appl. No.: **29/666,832**

D552,308 S * 10/2007 Farr D30/161
D605,369 S * 12/2009 Petersen D30/161
D609,411 S * 2/2010 Crout A01K 1/0157
D30/161
D609,412 S * 2/2010 Seager D30/161
D612,113 S * 3/2010 Petersen D30/161
D617,959 S * 6/2010 Twu D30/161
D689,247 S * 9/2013 Reichert D30/119
D693,528 S * 11/2013 Mishan D30/161
D701,089 S * 3/2014 Lee D7/554.3
D745,749 S * 12/2015 Lee D30/161
D764,837 S * 8/2016 Huss D6/582
D786,514 S * 5/2017 Stricklin D30/161

(22) Filed: **Oct. 16, 2018**
(51) **LOC (12) Cl.** **30-99**
(52) **U.S. Cl.**
USPC **D30/161**
(58) **Field of Classification Search**
USPC D30/161, 162, 199; 119/161, 163-170,
119/652
CPC A01K 1/0121; A01K 1/011; A01K 1/0117;
A01K 1/0114; A01K 1/0125; A01K
1/0155; A01K 1/0154; A01K 29/00
See application file for complete search history.

* cited by examiner

Primary Examiner — Michael C Stout
Assistant Examiner — Katrina N Gonzalez
(74) *Attorney, Agent, or Firm* — IPLA P.A.; James E.
Bame

(57) **CLAIM**

The ornamental design for a pet potty tray, as shown and described.

DESCRIPTION

FIG. 1 is a perspective view of my new design;
FIG. 2 is a front elevation view thereof;
FIG. 3 is a rear elevation view thereof;
FIG. 4 is a left side elevation view thereof, the right side being a mirror image; and,
FIG. 5 is a bottom plan view thereof.
The broken lines illustrate portions of the pet potty tray that form no part of the claimed design.

(56) **References Cited**

U.S. PATENT DOCUMENTS

2,963,003 A * 12/1960 Oberg A01K 1/0114
119/166
D272,198 S * 1/1984 Webb D30/161
D345,635 S * 3/1994 Casmira D30/161
D346,677 S * 5/1994 Casmira D30/161
D435,149 S * 12/2000 Kleinberg D30/119
D497,691 S * 10/2004 Hardt D30/161
D517,753 S * 3/2006 Northrop D30/161
D518,248 S * 3/2006 Northrop D30/161

1 Claim, 3 Drawing Sheets

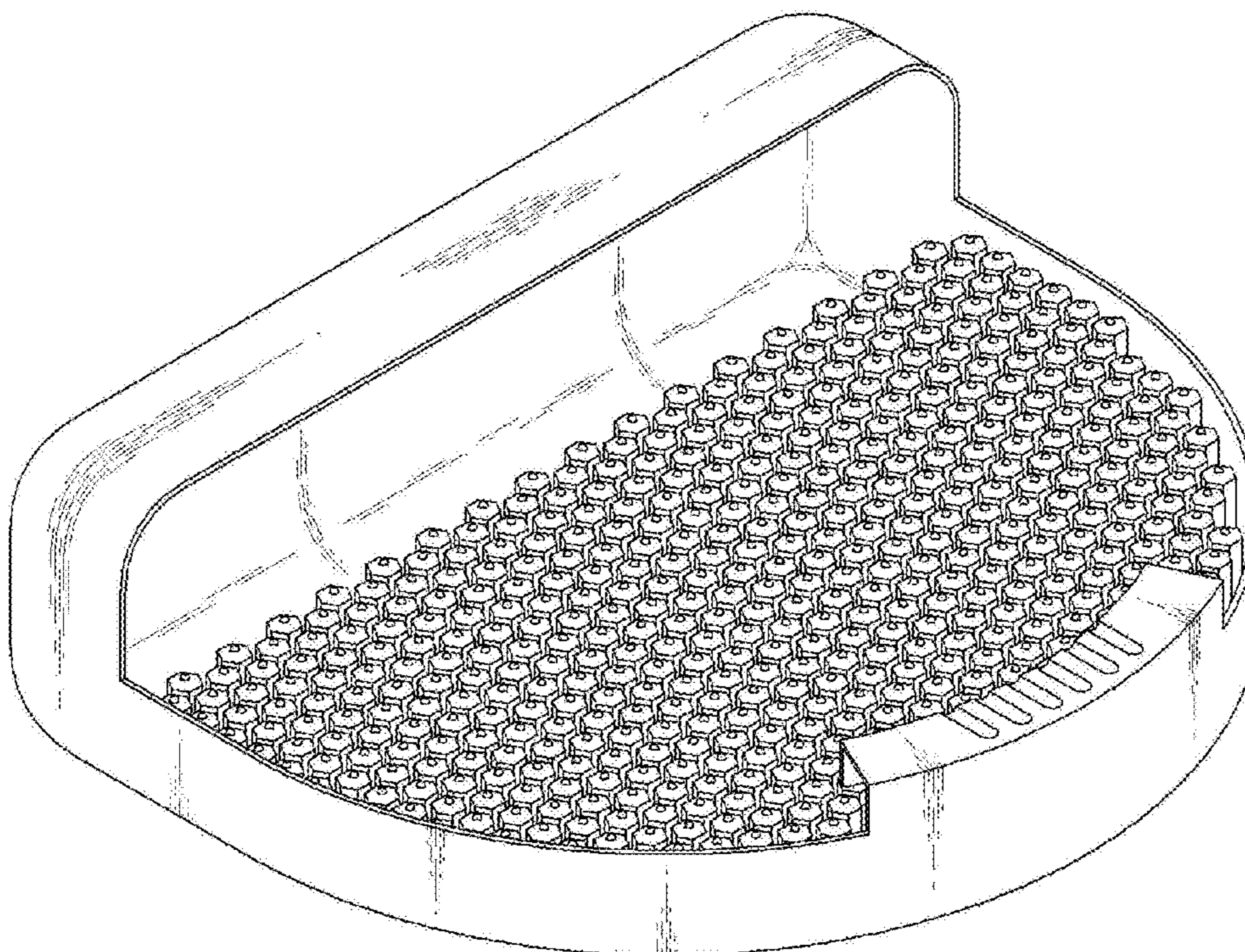


FIG. 1

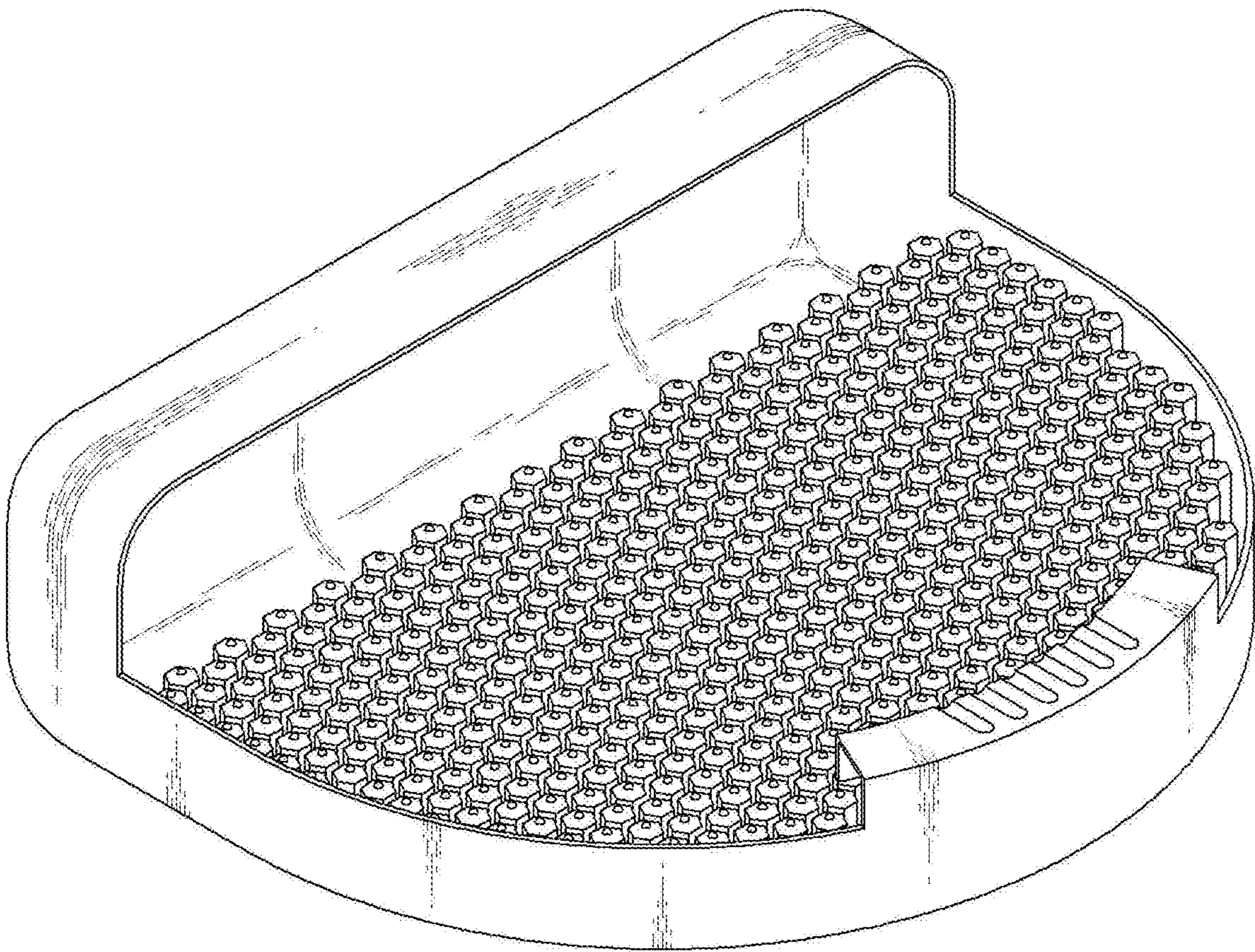


FIG. 2

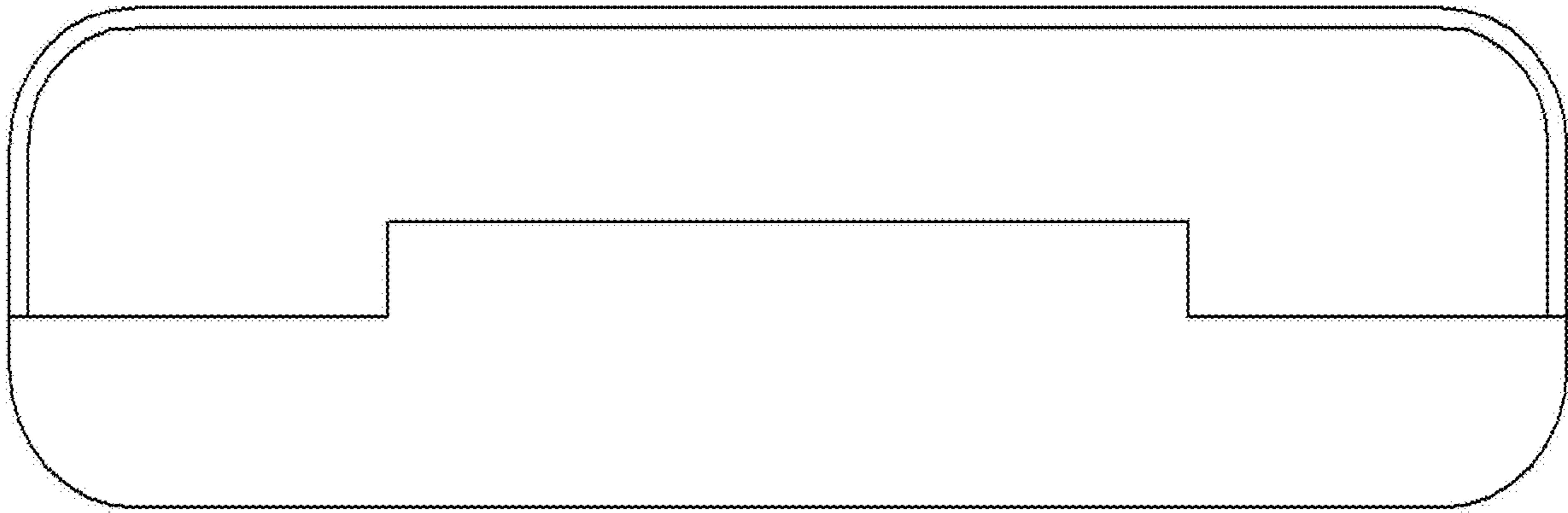


FIG. 3

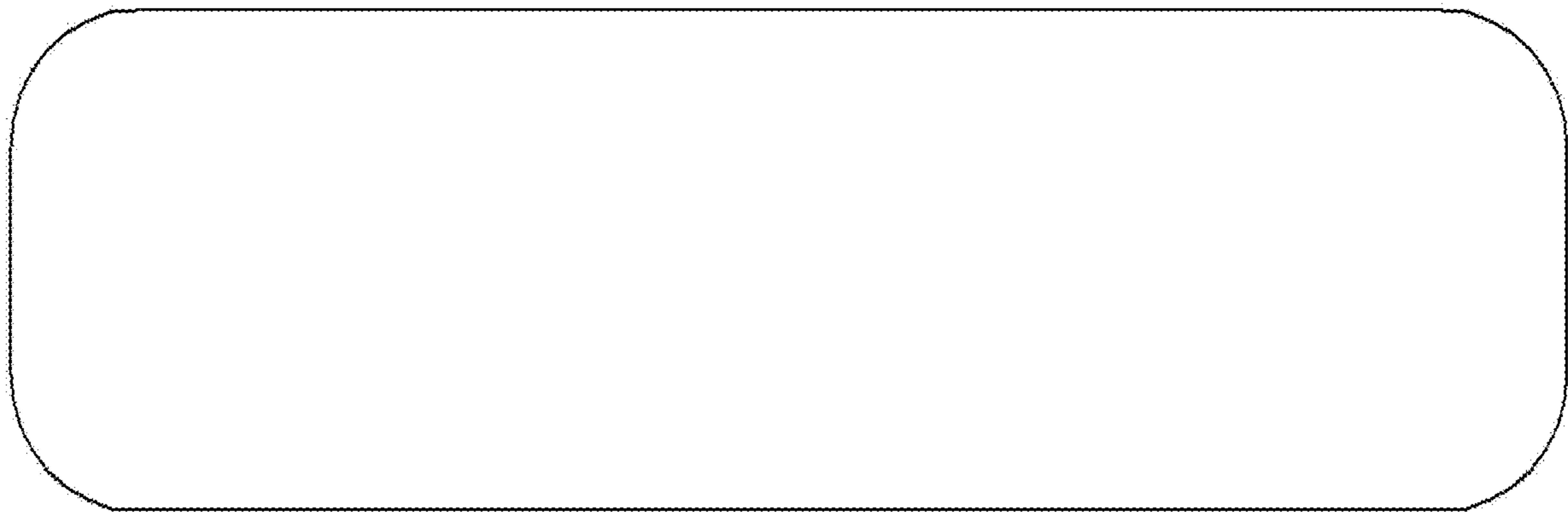


FIG. 4

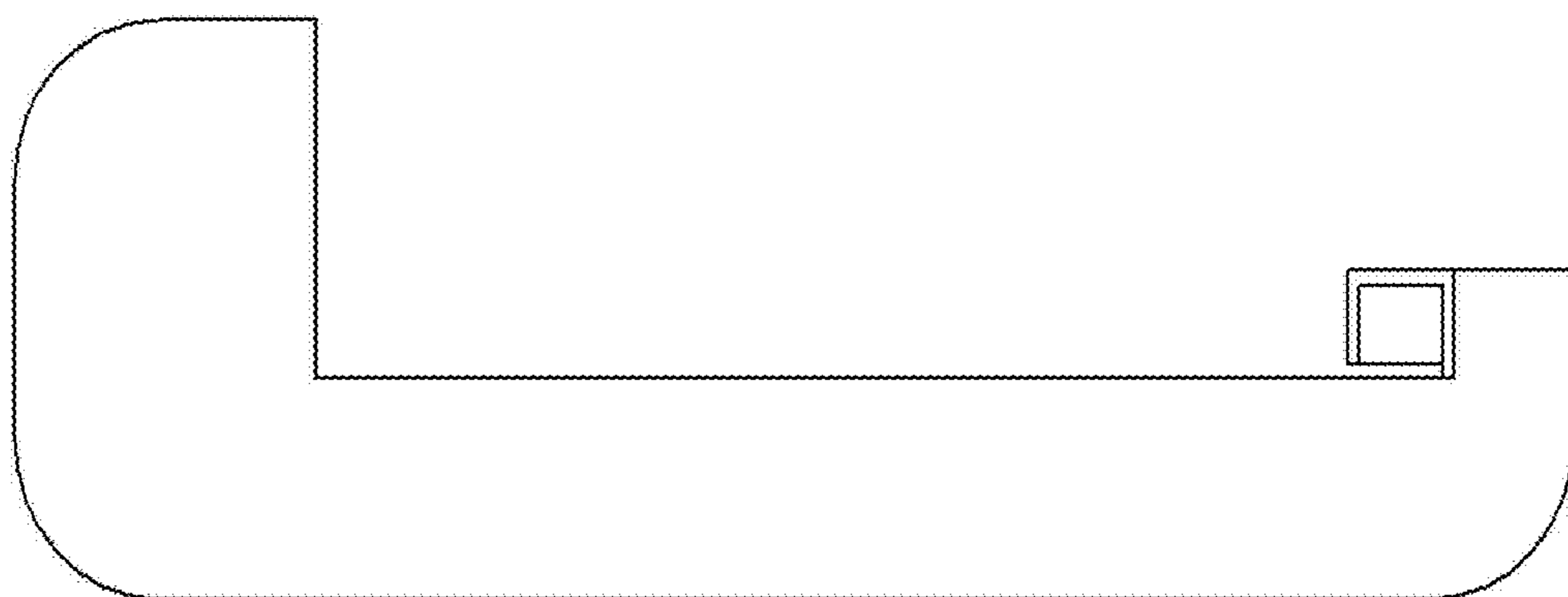


FIG. 5

