



US00D889057S

(12) **United States Design Patent**  
**Steinkraus**

(10) **Patent No.:** **US D889,057 S**  
(45) **Date of Patent:** **\*\* Jun. 30, 2020**

(54) **BALL THROWING DEVICE**  
(71) Applicant: **Gramercy Products, Inc.**, Secaucus, NJ (US)  
(72) Inventor: **William Steinkraus**, Fort Lee, NJ (US)  
(73) Assignee: **Gramercy Products, INC.**, Secaucus, NJ (US)  
(\*\*) Term: **15 Years**

*Primary Examiner* — Sandra S Snapp  
*Assistant Examiner* — Mehri F Bajoul  
(74) *Attorney, Agent, or Firm* — Thomas A. O'Rourke; Bodner & O'Rourke, LLP

(21) Appl. No.: **29/643,829**  
(22) Filed: **Apr. 12, 2018**  
(51) **LOC (12) Cl.** ..... **30-99**  
(52) **U.S. Cl.**  
USPC ..... **D30/160**  
(58) **Field of Classification Search**  
USPC ..... D30/160; D21/300, 312-318, 328, 411, D21/430, 436, 451-454, 466, 514, 570, D21/707, 712, 715, 722-743, 759; D12/325; 119/702, 706-714; 446/4, 446/197; 124/4, 5; 273/317  
CPC ..... A01K 15/025; A01K 15/00; A01K 15/02; A63B 65/122; A63B 59/20  
See application file for complete search history.

(57) **CLAIM**  
The ornamental design for a ball throwing device, as shown and described.

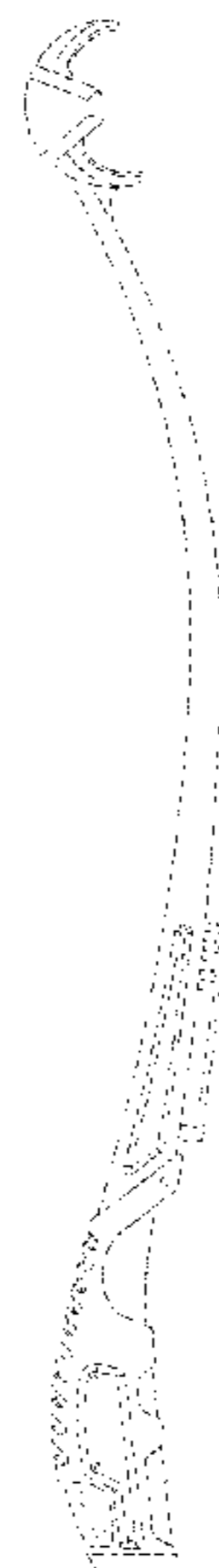
**DESCRIPTION**

FIG. 1 is a front view of a ball throwing device of the present invention.  
FIG. 2 is a left side view of the ball throwing device of FIG. 1.  
FIG. 3 is a right side view of the ball throwing device of FIG. 1.  
FIG. 4 is a rear view of the ball throwing device of FIG. 1.  
FIG. 5 is a top view of the ball throwing device of FIG. 1.  
FIG. 6 is a bottom view of the ball throwing device of FIG. 1.  
FIG. 7 is an enlarged front view of the handle of the ball throwing device of FIG. 1.  
FIG. 8 is an enlarged left view of the handle of the ball throwing device of FIG. 2.  
FIG. 9 is an enlarged right view of the handle of the ball throwing device of FIG. 3.  
FIG. 10 is an enlarged rear view of the handle of the ball throwing device of FIG. 4.  
FIG. 11 is an enlarged view of the left side of the head of the ball throwing device of FIG. 1. The right side of the head is a mirror image of the left side shown.  
FIG. 12 is an enlarged top view of the ball throwing device of FIG. 5; and,  
FIG. 13 is an enlarged bottom view of the ball throwing device of FIG. 6.  
The broken lines shown in the drawings depict portions of the ball throwing device that form no part of the claimed design.

(56) **References Cited**  
**U.S. PATENT DOCUMENTS**  
1,535,029 A 4/1925 Murch  
3,589,349 A \* 6/1971 Parker ..... A63B 59/20  
124/41.1  
D226,107 S \* 1/1973 Indovina ..... 473/314  
(Continued)

**OTHER PUBLICATIONS**  
"Chuckit Pro launcher", posted Oct. 7, 2013, [retrieved Sep. 13, 2019]. Retrieved from Internet [https://www.chewy.com/chuckit-pro-launcher-color-varies-261/product-reviews/49736?reviewSort=NEWEST&reviewFilter=ALL\\_STARS&pageNumber=1](https://www.chewy.com/chuckit-pro-launcher-color-varies-261/product-reviews/49736?reviewSort=NEWEST&reviewFilter=ALL_STARS&pageNumber=1).\*

**1 Claim, 4 Drawing Sheets**



(56)

References Cited

U.S. PATENT DOCUMENTS

3,841,292	A *	10/1974	Hoffman	.....	F41B 3/00	8,720,385	B2	5/2014	Tanner	
					124/5	D706,884	S	6/2014	Saber et al.	
4,076,004	A	2/1978	Huelskamp			D709,975	S	7/2014	Estrada, Jr.	
D249,815	S	10/1978	Huelskamp			8,857,419	B2	10/2014	Hansen	
D266,686	S *	10/1982	Dretzke	.....	D21/722	8,973,564	B1 *	3/2015	Saber	..... A63B 65/00
4,794,905	A *	1/1989	Woolard	.....	F41B 3/00					124/5
					124/44.6	D729,329	S	5/2015	Williams	
D309,649	S *	7/1990	Archer	.....	D21/741	D731,603	S	6/2015	Blonk	
D340,752	S	10/1993	Flynn et al.			9,149,695	B2	10/2015	Evans	
D413,641	S *	9/1999	Falco	.....	D21/725	9,303,942	B2	4/2016	Sievers	
D424,640	S	5/2000	Oblack			D758,511	S	6/2016	Williams	
6,076,829	A *	6/2000	Oblack	.....	A63B 60/34	D759,907	S *	6/2016	Weinstein	..... D30/160
					273/317	9,392,768	B1 *	7/2016	Mullin	..... F41B 3/04
6,477,745	B2 *	11/2002	Strebl	.....	A63B 60/12	9,545,082	B1	1/2017	Mullin et al.	
					24/3.12	D782,588	S *	3/2017	Fryer	..... D21/722
D484,938	S *	1/2004	Tu	.....	D21/789	D782,752	S *	3/2017	Knepper	..... D30/160
D517,142	S *	3/2006	Niwa	.....	D21/736	9,623,304	B2	4/2017	Clarke et al.	
D524,386	S *	7/2006	Niwa	.....	D21/736	9,668,456	B2 *	6/2017	Parness	..... A63B 59/20
D525,326	S *	7/2006	Green	.....	D21/722	D796,594	S	9/2017	Wills et al.	
D525,670	S *	7/2006	Green	.....	D21/722	D796,595	S	9/2017	Wills et al.	
D554,717	S *	11/2007	McKinnell	.....	D21/722	9,757,632	B2 *	9/2017	Fryer	..... A63B 67/02
D567,602	S *	4/2008	Choy	.....	D8/14	D798,797	S *	10/2017	Lee	..... D12/345
7,677,994	B2	3/2010	Matsumoto et al.			2011/0017184	A1 *	1/2011	Henry	..... A63H 33/18
7,727,093	B2 *	6/2010	Lamson	.....	A63B 59/20					124/5
					473/513	2012/0006309	A1 *	1/2012	Levin	..... A01K 15/025
D630,277	S *	1/2011	McKinnell	.....	D21/722					124/5
D634,489	S *	3/2011	Page	.....	D21/722	2012/0048251	A1	3/2012	Oblack et al.	
D637,248	S *	5/2011	Levin	.....	D21/722	2012/0227721	A1	9/2012	Geller	
D640,338	S *	6/2011	Oblack	.....	D21/722	2013/0186381	A1 *	7/2013	Hansen	..... A01K 15/025
8,028,684	B1	10/2011	Weissmann et al.							124/5
D655,359	S *	3/2012	Thorogood	.....	D21/722	2013/0319386	A1	12/2013	Minneman et al.	
D660,931	S *	5/2012	Oldknow	.....	D21/759	2015/0013653	A1 *	1/2015	Clarke	..... A01K 15/025
D666,686	S *	9/2012	Burger	.....	D21/722					124/5
D674,851	S	1/2013	Osborne et al.			2015/0047621	A1 *	2/2015	Palladino	..... A63B 65/122
8,418,681	B2	4/2013	Levin et al.							124/5
						2015/0342146	A1	12/2015	Tucker	
						2016/0096095	A1	4/2016	Williams	
						2017/0112099	A1	4/2017	Hartelius	

\* cited by examiner

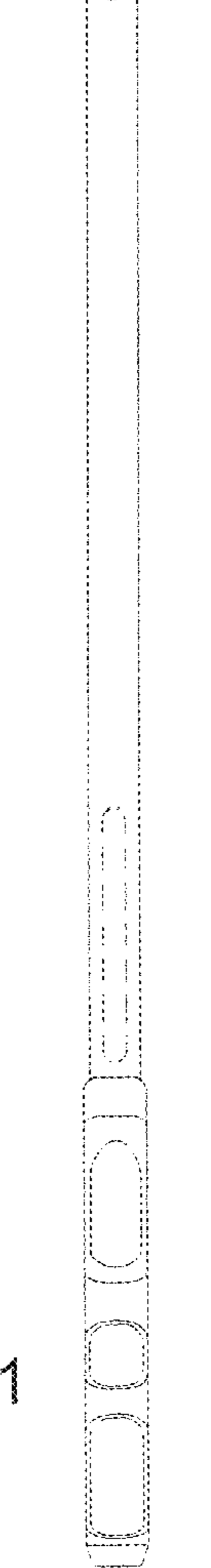
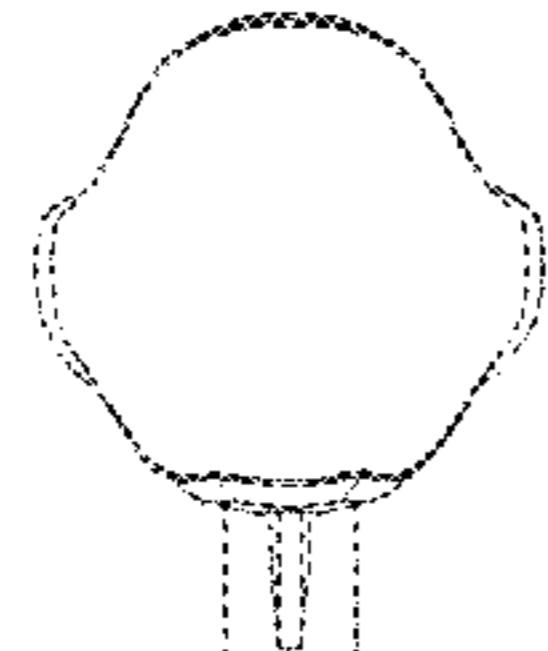
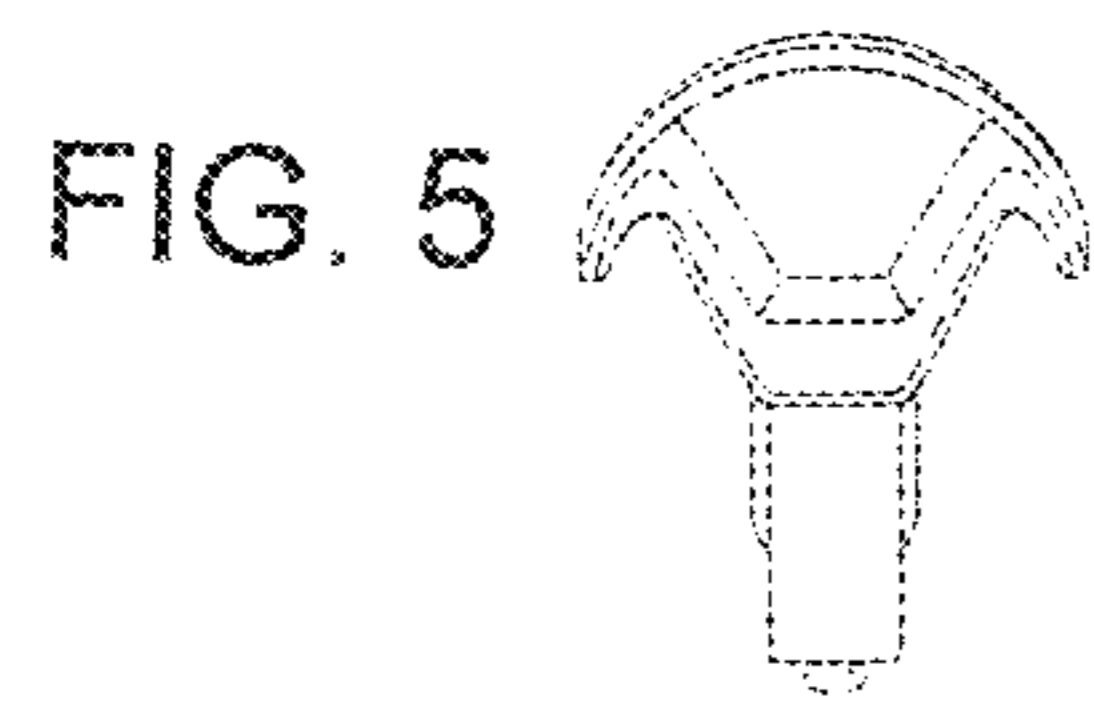


FIG. 1

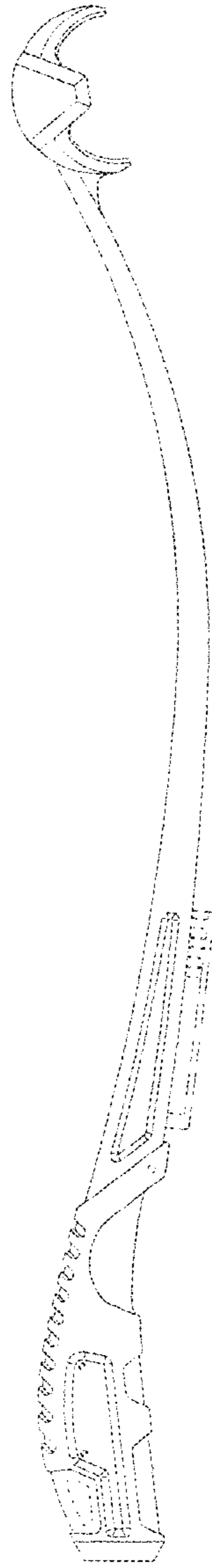


FIG. 2

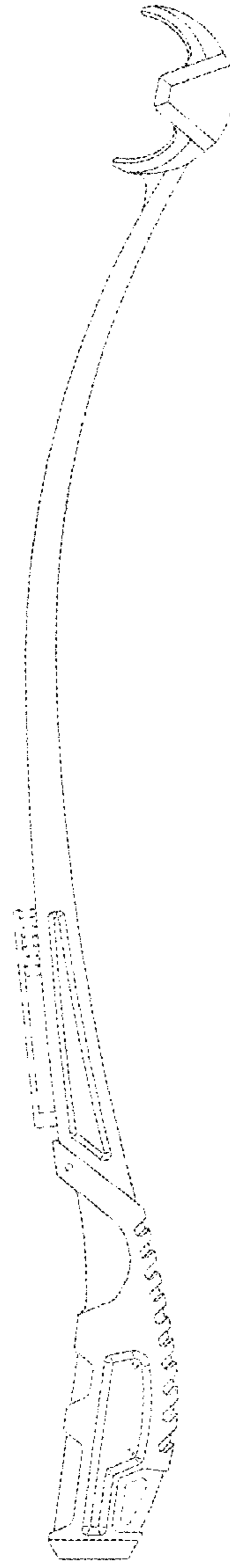


FIG. 3

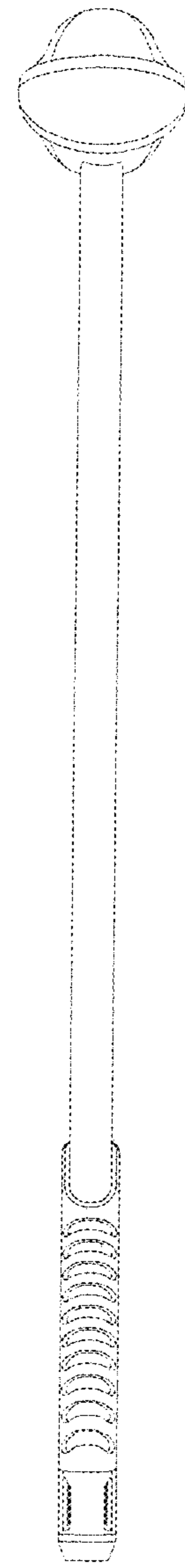
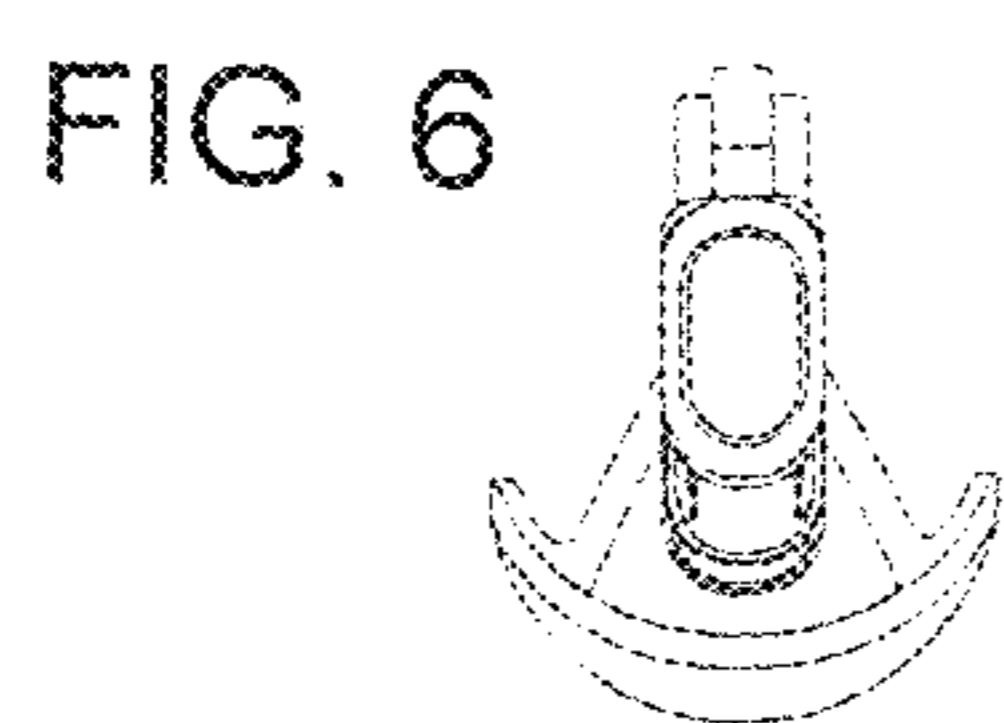


FIG. 4





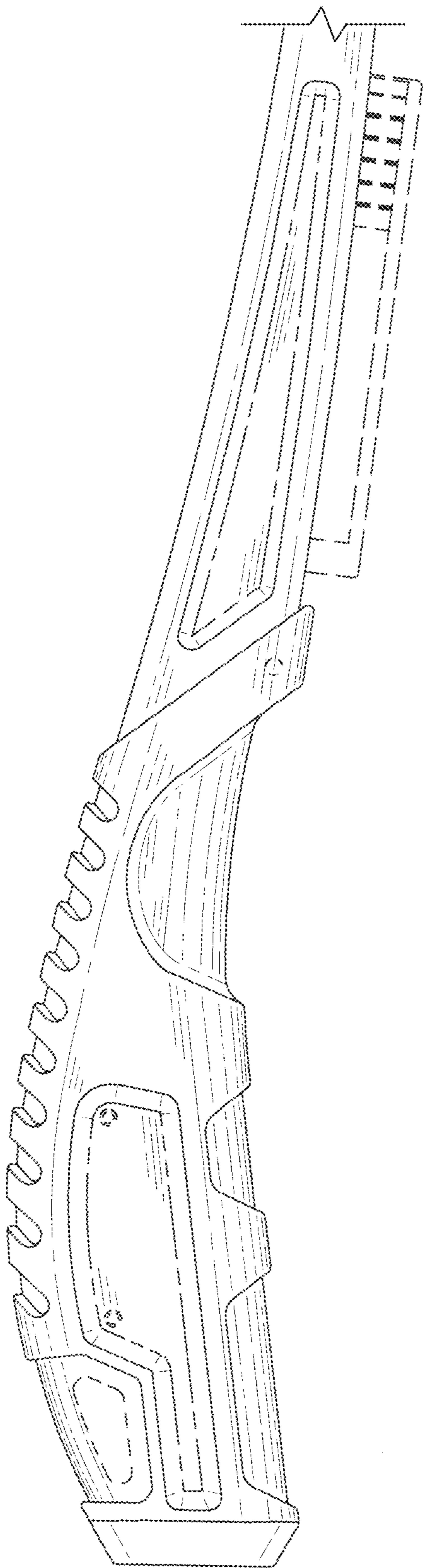


FIG. 8

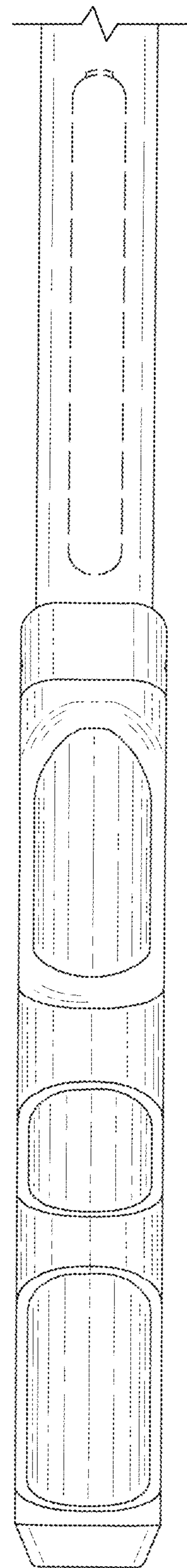


FIG. 7

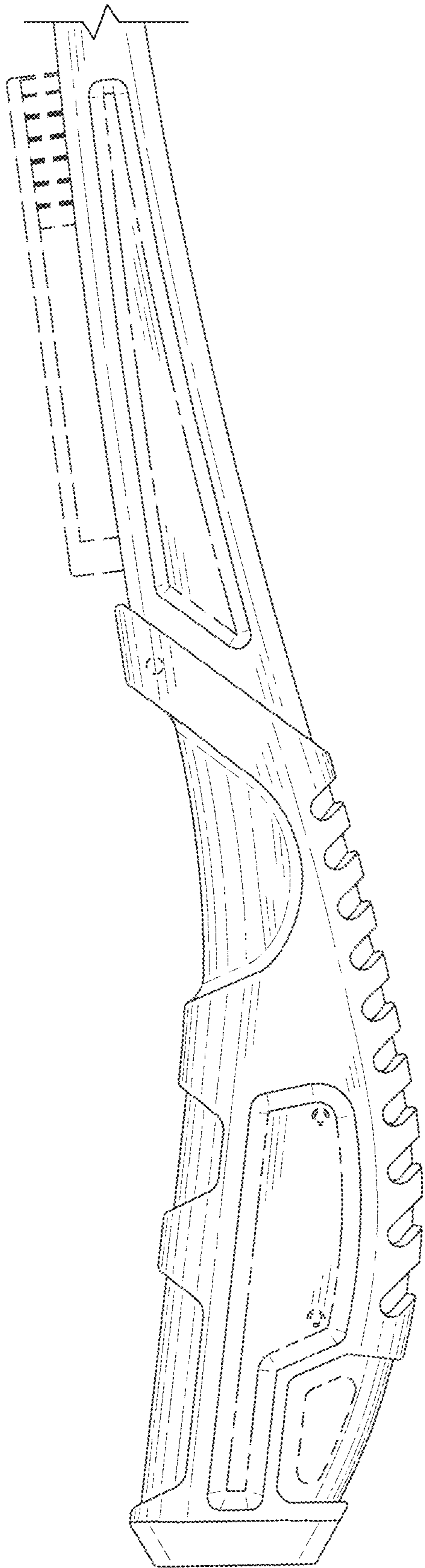


FIG. 9

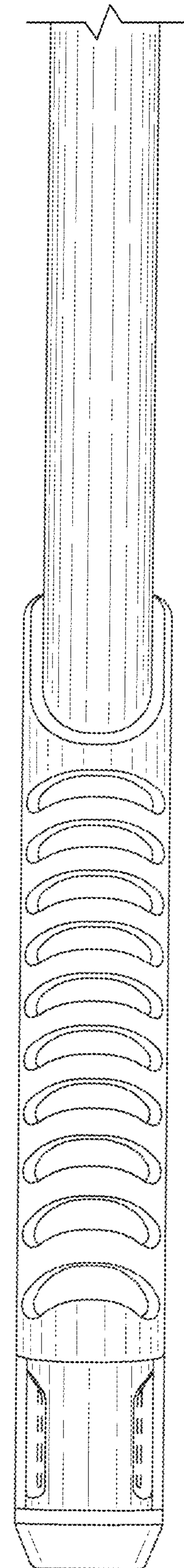


FIG. 10

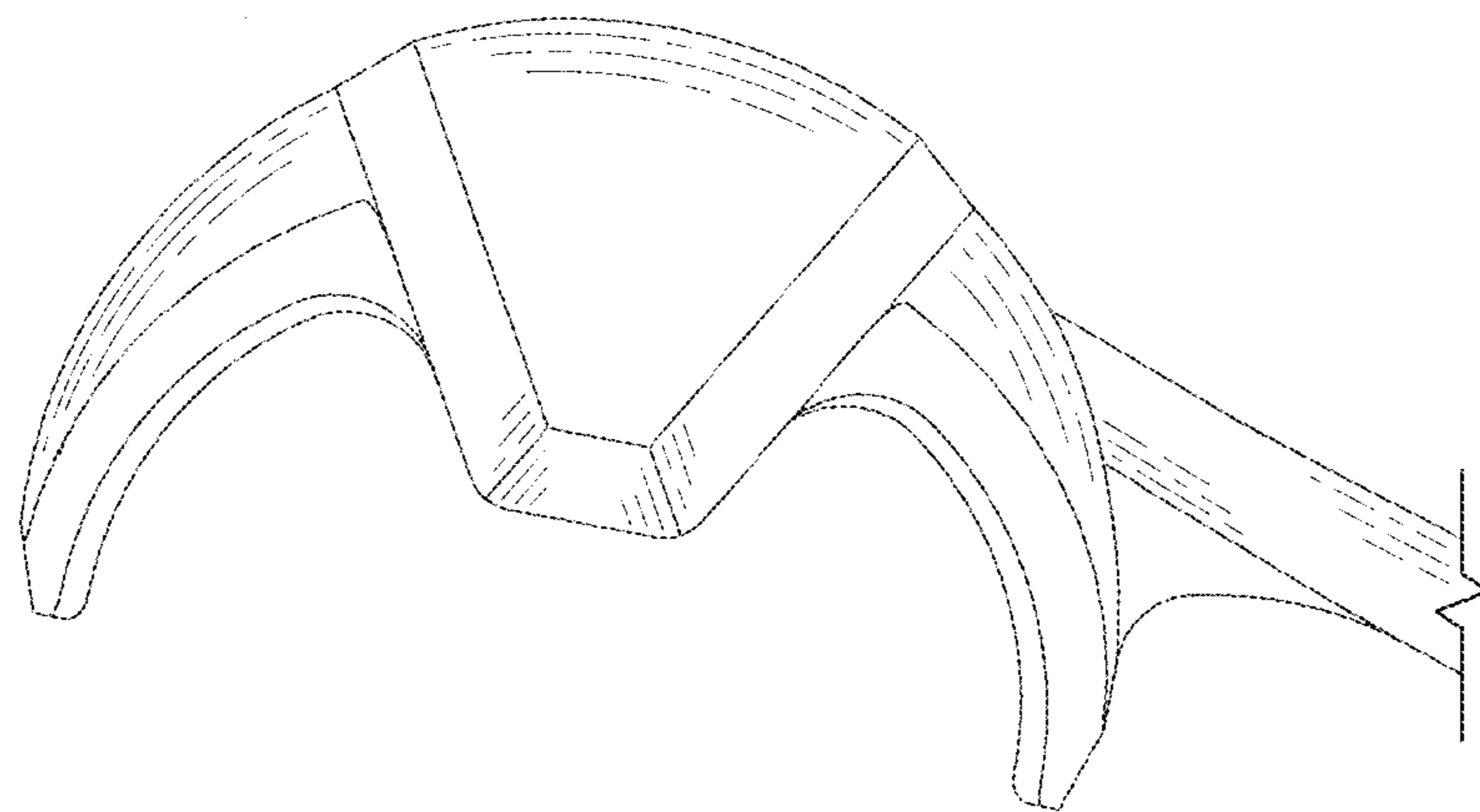


FIG. 11

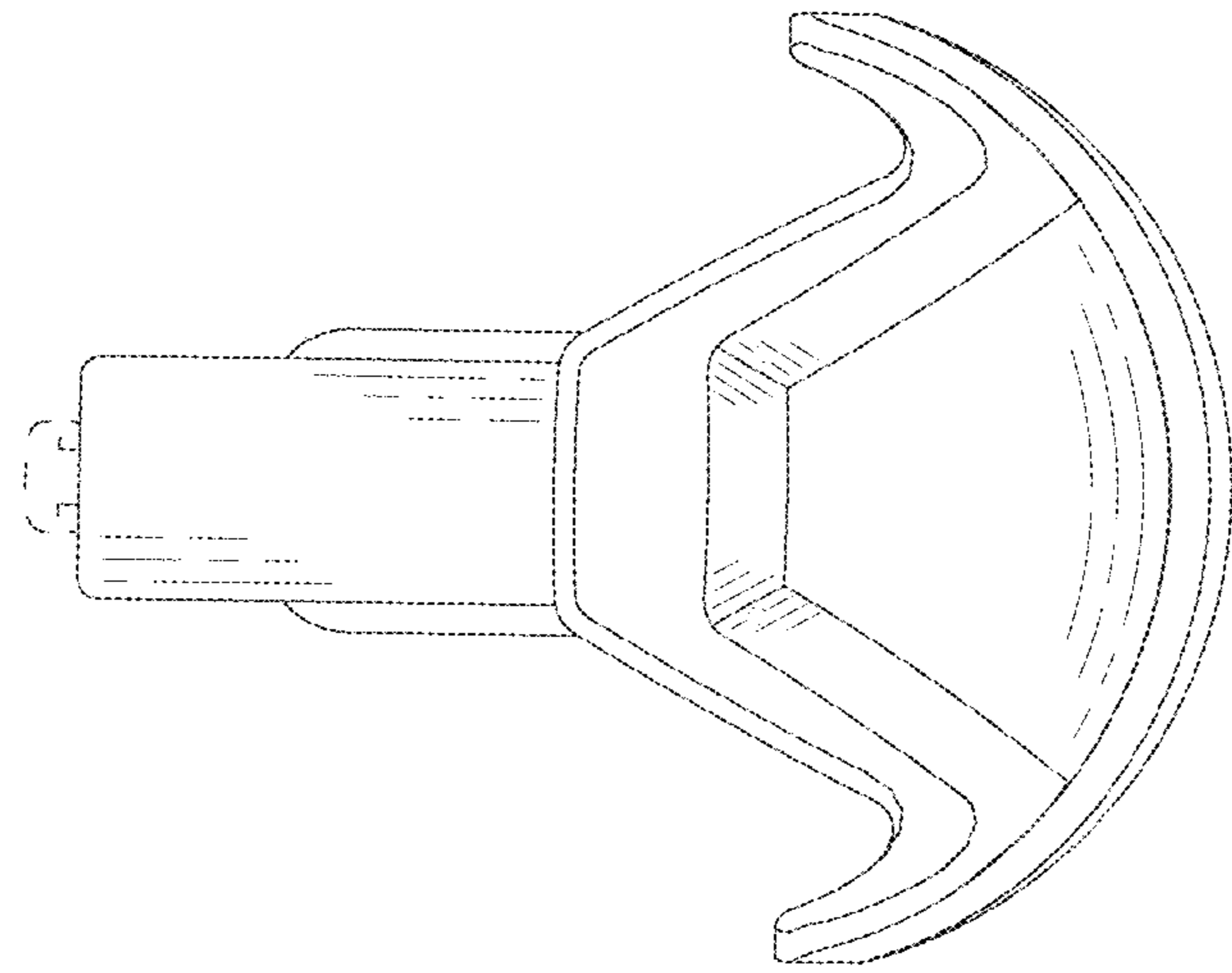


FIG. 12

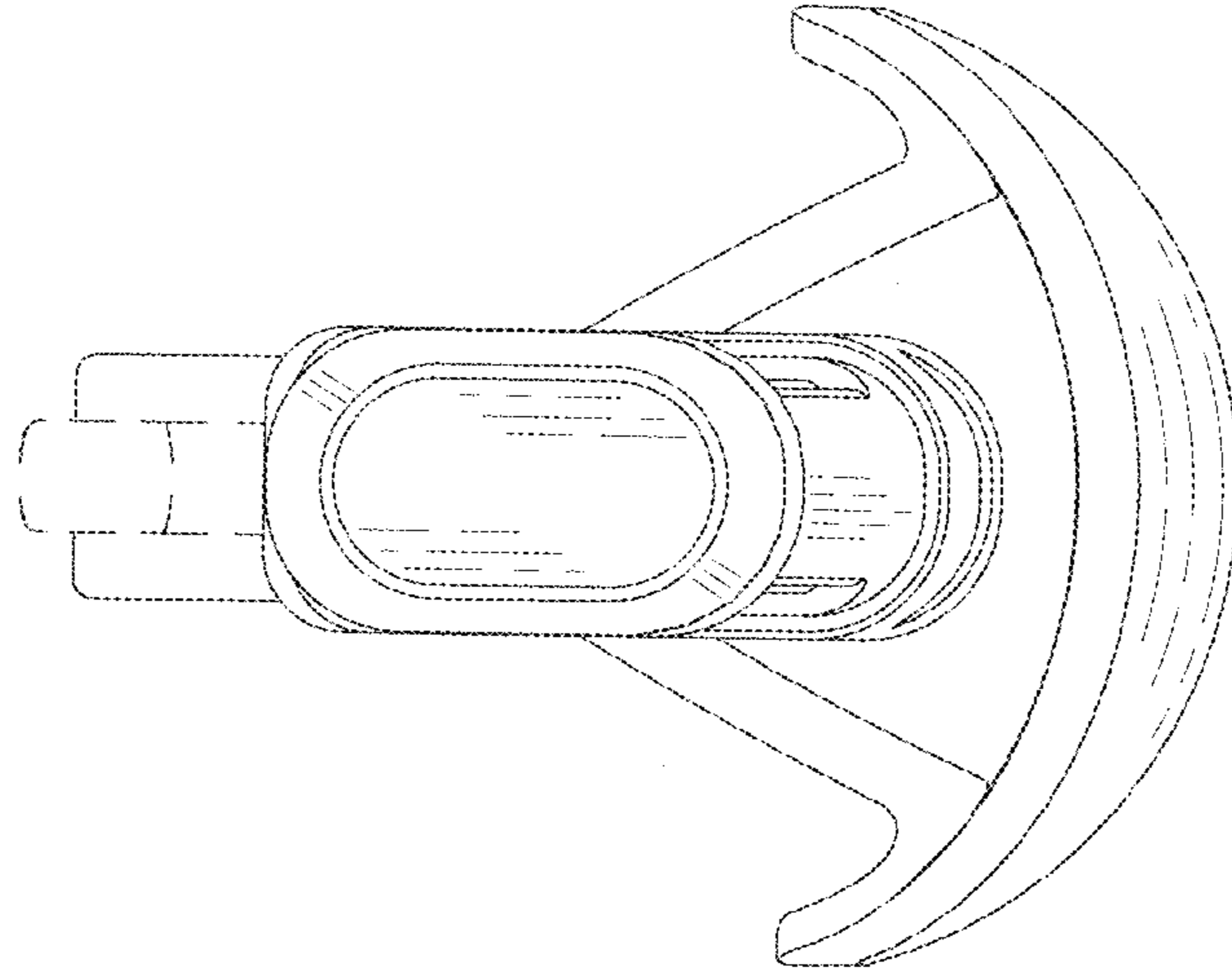


FIG. 13