



US00D889056S

(12) **United States Design Patent**
Steinkraus

(10) **Patent No.:** **US D889,056 S**
(45) **Date of Patent:** **** Jun. 30, 2020**

- (54) **THROWING TOY**
- (71) Applicant: **Gramercy Products, Inc.**, Secaucus, NJ (US)
- (72) Inventor: **William Steinkraus**, Fort Lee, NJ (US)
- (73) Assignee: **Gramercy Products, INC.**, Secaucus, NJ (US)
- (**) Term: **15 Years**
- (21) Appl. No.: **29/643,193**
- (22) Filed: **Apr. 5, 2018**

- D219,284 S 11/1970 Hunt
- 3,633,538 A 1/1972 Hoeflin
- 3,889,950 A 6/1975 Kasravi
- 3,968,074 A 7/1976 Schwarze
- D243,143 S 1/1977 Menzo
- 4,002,893 A 1/1977 Newcomb
- 4,006,908 A 2/1977 Minami
- 4,113,829 A 9/1978 Bowker
- 4,297,809 A 11/1981 Branson
- D264,741 S 6/1982 Patton
- D275,584 S 9/1984 Murakami
- 4,527,351 A 7/1985 Gerakiteys
- D285,230 S 8/1986 Adams
- D286,944 S 12/1986 Saladino et al.
- D287,040 S 12/1986 Masura
- D294,844 S 3/1988 Winter
- 4,732,925 A 3/1988 Davis
- D310,137 S 8/1990 Mays

(Continued)

Related U.S. Application Data

- (63) Continuation-in-part of application No. 29/601,095, filed on Apr. 19, 2017, now Pat. No. Des. 840,116.
- (51) **LOC (12) Cl.** **30-99**
- (52) **U.S. Cl.**
USPC **D30/160**
- (58) **Field of Classification Search**
USPC D30/21, 160; D21/144, 362, 390, 443, D21/707, 713, 715; 119/702, 706-714; 473/273, 451, 600, 613; 446/46, 48
CPC A01K 15/00; A01K 15/02; A01K 15/025; A01K 29/00; A63B 43/002; A63B 65/00
See application file for complete search history.

Primary Examiner — Michael C Stout

Assistant Examiner — Mehri F Bajoul

(74) *Attorney, Agent, or Firm* — Thomas A. O'Rourke; Bodner & O'Rourke, LLP

(57) **CLAIM**

The ornamental design for a throwing toy, as shown and described.

DESCRIPTION

FIG. 1 is a perspective view of a throwing toy showing the new design.

FIG. 2 is a top view thereof.

FIG. 3 is a right side view thereof. The left side view is of a mirror image of the right side view shown.

FIG. 4 is a bottom view thereof.

FIG. 5 is a front view thereof; and,

FIG. 6 is a rear view thereof.

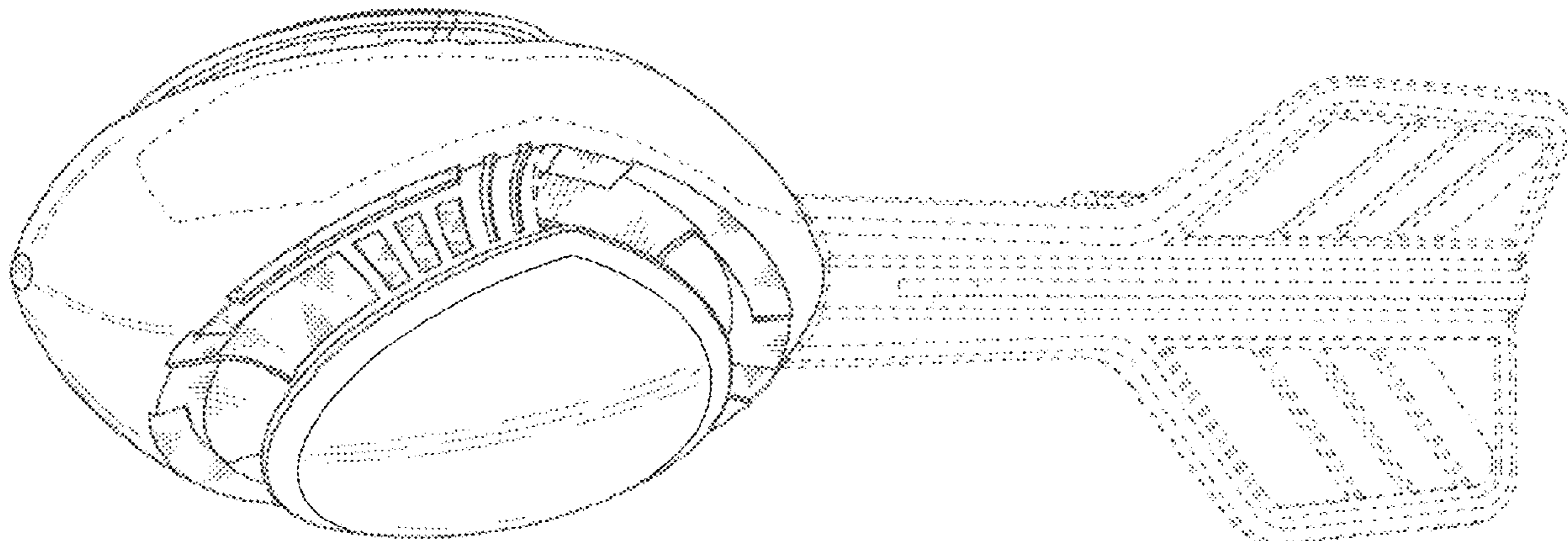
The broken lines shown in the drawings depict portions of the throwing toy that form no part of the claimed design.

(56) **References Cited**

U.S. PATENT DOCUMENTS

- 1,877,673 A 9/1932 Law
- 2,098,395 A 11/1937 Law
- 2,304,190 A 12/1942 Milner
- RE23,176 E 11/1949 Milner
- 2,840,024 A * 6/1958 Haas A63B 37/12
112/400
- 2,867,425 A 1/1959 Teller
- 3,046,016 A 7/1962 Laws

1 Claim, 3 Drawing Sheets



(56)

References Cited

U.S. PATENT DOCUMENTS

D319,008 S	8/1991	Leon		D453,037 S	1/2002	Frisina et al.	
D321,543 S	11/1991	Gauthier et al.		D453,201 S	1/2002	Frisina et al.	
D323,011 S	1/1992	Roberts		D453,202 S	1/2002	Frisina et al.	
5,196,462 A	3/1993	Berta		D456,959 S *	5/2002	Simon	D30/160
D335,906 S	5/1993	Hellerman		D457,208 S	5/2002	Murphy et al.	
D339,916 S	10/1993	Behbahani		6,390,879 B1	5/2002	Spector	
D340,078 S	10/1993	Turner		D468,378 S	1/2003	Routzong	
D344,114 S	2/1994	Cudzik		D478,947 S	8/2003	Lu	
D346,001 S	4/1994	Stillinger et al.		D479,897 S	9/2003	Willinger	
D350,577 S	9/1994	Giudice		6,622,659 B2	9/2003	Willinger	
5,344,864 A	9/1994	Kushida		D480,774 S	10/2003	Murphy et al.	
5,358,440 A	10/1994	Zheng		D480,902 S	10/2003	Long et al.	
D353,427 S	12/1994	Wuesthoff		D481,162 S	10/2003	Lin	
D354,102 S	1/1995	Lehman		6,651,590 B2	11/2003	Willinger	
D354,783 S	1/1995	Hoehne		D483,822 S	12/2003	Pelfrey	
D355,230 S	2/1995	Brown		6,682,384 B2	1/2004	Wang	
D355,460 S *	2/1995	Routzong	D21/712	6,695,666 B2	2/2004	Nikonorov	
D355,685 S	2/1995	Ross		D488,524 S	4/2004	Johnson	
D355,975 S	3/1995	Patoskie et al.		6,739,934 B1	5/2004	Adler	
D356,129 S	3/1995	Wolf		D491,240 S	6/2004	Johnson	
D356,355 S	3/1995	Martin		D497,655 S	10/2004	Frisina	
D361,108 S	8/1995	Schneider		D498,802 S	11/2004	Chang	
D361,811 S	8/1995	Grimm et al.		D500,103 S	12/2004	Lowinger	
D371,178 S	6/1996	Pearson		D503,760 S	4/2005	Chang	
D373,671 S	9/1996	Laughlin et al.		D504,163 S	4/2005	Williams-Nicholas	
D375,129 S	10/1996	Daicos		D504,709 S	5/2005	Chang	
5,577,724 A	11/1996	Gandolfo		D505,462 S	5/2005	Horkan et al.	
5,588,648 A *	12/1996	Stebbins	A63B 37/02 473/451	D505,463 S	5/2005	Horkan et al.	
5,611,532 A	3/1997	Forrest		D506,024 S	6/2005	Chen	
D382,927 S	8/1997	McGowen et al.		D507,314 S	7/2005	Horkan et al.	
D384,716 S	10/1997	Stevens		6,918,809 B2	7/2005	Persall	
D386,229 S	11/1997	Hicks		6,939,191 B1	9/2005	Wu	
D387,494 S	12/1997	Hester		D511,228 S	11/2005	Byrne	
D387,772 S	12/1997	Steinberg		D512,541 S	12/2005	Byrne	
5,695,706 A	12/1997	Welsh		D513,096 S	12/2005	Stiles	
D388,680 S	1/1998	Lin		D513,545 S	1/2006	Byrne	
D389,734 S	1/1998	Schultz et al.		D518,536 S	4/2006	Chang	
5,779,576 A *	7/1998	Smith, III	A63B 65/00 473/570	D520,578 S	5/2006	Chen	
5,807,198 A *	9/1998	Grimm	A63B 65/00 473/613	7,096,826 B2	8/2006	Markham	
5,810,636 A	9/1998	Harned		D533,238 S	12/2006	Chang	
D400,668 S	11/1998	Bloom		D536,757 S	2/2007	Hedeem, Jr.	
D401,293 S	11/1998	Alarid, Jr.		D537,132 S	2/2007	Barhoum	
D402,318 S	12/1998	Dunipace		D548,409 S	8/2007	Renforth	
D404,777 S	1/1999	Robitaille		D550,314 S	9/2007	Lauderdale	
D408,482 S	4/1999	Morrison		D551,308 S	9/2007	Chang	
D409,904 S	5/1999	Clements et al.		D551,721 S	9/2007	Cooper	
D411,269 S	6/1999	Albarelli, Jr.		7,288,037 B2 *	10/2007	Myers	A63B 43/06 473/570
5,934,966 A	8/1999	Ward		D562,411 S	2/2008	Jones et al.	
6,003,470 A	12/1999	Budman		D562,419 S	2/2008	Crane et al.	
6,010,419 A *	1/2000	Rappaport	A63B 43/002 473/613	D565,125 S	3/2008	Collier	
D421,034 S	2/2000	Shirley et al.		D565,669 S	4/2008	Sullivan	
6,042,494 A *	3/2000	Rappaport	A63B 43/002 473/613	D569,562 S	5/2008	Nazimek	
D423,270 S	4/2000	Studerus		D570,431 S	6/2008	Krysiak	
6,073,588 A	6/2000	McClung		D570,432 S	6/2008	Krysiak	
6,083,127 A	7/2000	O'Shea		D570,931 S	6/2008	Krysiak	
6,089,938 A	7/2000	Spector		D571,874 S	6/2008	Krysiak	
6,113,453 A	9/2000	Stuffelbeam		D571,875 S	6/2008	Krysiak	
6,120,398 A *	9/2000	Myers	A63B 43/00 473/613	D576,235 S	9/2008	Zawitz	
D432,191 S	10/2000	Nelson et al.		D584,778 S	1/2009	Bevier	
D433,719 S	11/2000	Hutchings		D606,245 S	12/2009	Kesselman	
6,174,214 B1	1/2001	Cooper		D609,987 S	2/2010	Moman	
D442,655 S	5/2001	Schneider		D625,373 S	10/2010	Waggoner	
D443,319 S	6/2001	Crasnick		7,874,947 B1 *	1/2011	Wolfenbarger	A63H 33/18 473/578
D451,971 S	12/2001	Mitchell		D637,239 S	5/2011	Walterscheid	
D452,892 S	1/2002	Frisina et al.		D637,666 S	5/2011	Erickson et al.	
D452,893 S	1/2002	Frisina et al.		D639,360 S	6/2011	Lederman et al.	
D452,977 S	1/2002	Frisina et al.		D640,329 S	6/2011	Oblack	
D453,036 S	1/2002	Frisina et al.		7,976,355 B2	7/2011	McAnulty	
				D650,452 S	12/2011	Schwarz	
				D653,809 S	2/2012	Gelin	
				D657,011 S	4/2012	Lederman et al.	
				D665,040 S	8/2012	Lowinger	
				8,241,153 B2	8/2012	Williams	
				D673,740 S *	1/2013	Burger	D21/707
				8,348,713 B2	1/2013	Groft	
				8,402,923 B2	3/2013	Jager	
				D680,280 S	4/2013	Nielsen	

(56)

References Cited

U.S. PATENT DOCUMENTS

8,474,410 B2 7/2013 Oblack
D690,376 S 9/2013 Silvergate
D692,065 S * 10/2013 Williams D21/387
D692,504 S * 10/2013 Williams D21/387
D695,370 S 12/2013 Hedeem, Jr.
D705,876 S 5/2014 Oblack et al.
D708,683 S 7/2014 DeSort
D767,688 S 9/2016 Nelson
D768,246 S 10/2016 Goldman et al.
D793,500 S 8/2017 Dingle
D794,131 S 8/2017 Capozzi
D795,366 S 8/2017 Montgomery
D795,976 S 8/2017 Montgomery
D808,478 S 1/2018 Stewart et al.
D812,824 S 3/2018 Alton
2002/0111105 A1 8/2002 Silvergate
2003/0100391 A1* 5/2003 Kessler A63B 43/002
473/613

2003/0184013 A1 10/2003 Chodosh
2003/0232565 A1 12/2003 Silvergate
2004/0083983 A1 5/2004 Markham
2004/0089245 A1 5/2004 Markham
2004/0166764 A1 8/2004 Stark
2004/0259460 A1 12/2004 Persall
2006/0068952 A1* 3/2006 Davignon, II A63B 43/002
473/613
2006/0073758 A1 4/2006 Goodwin
2006/0141896 A1 6/2006 Owens
2006/0217220 A1* 9/2006 Davignon, II A63B 43/002
473/613
2007/0072712 A1* 3/2007 Chernick A63B 37/08
473/594
2009/0176435 A1 7/2009 Stark
2012/0204799 A1* 8/2012 Desrosiers A01K 5/0114
119/61.54
2014/0235380 A1* 8/2014 Martino A63H 27/14
473/613

* cited by examiner

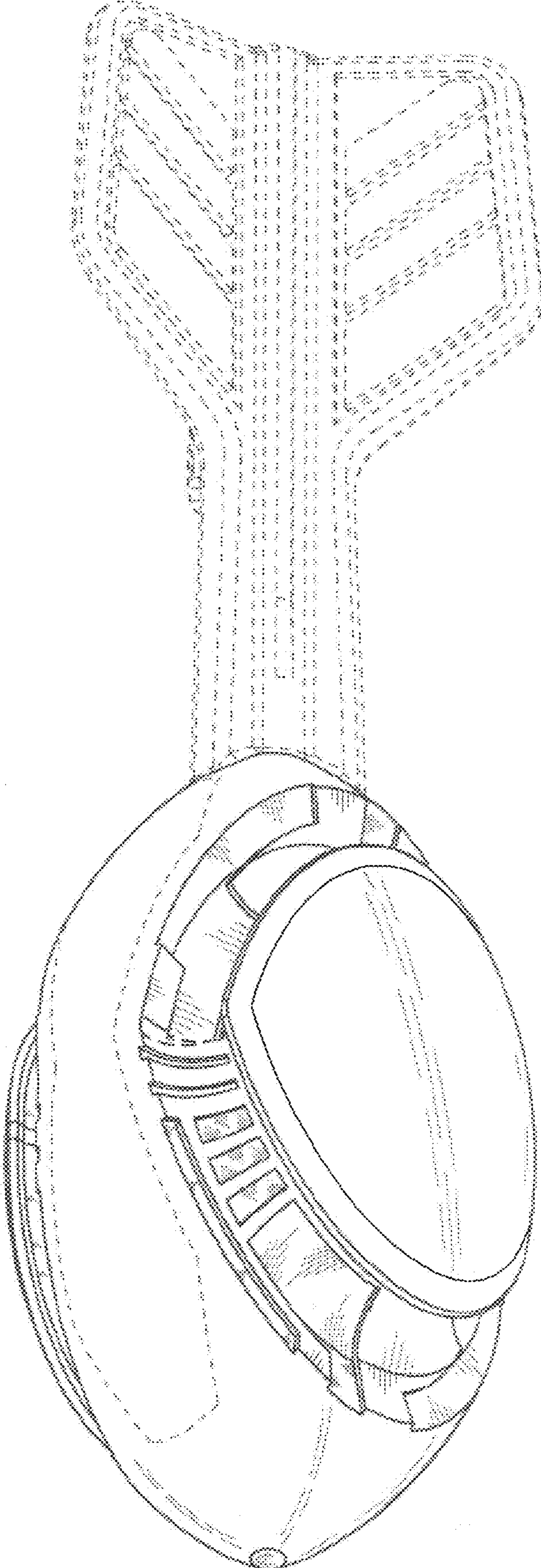


FIG. 1

FIG. 2

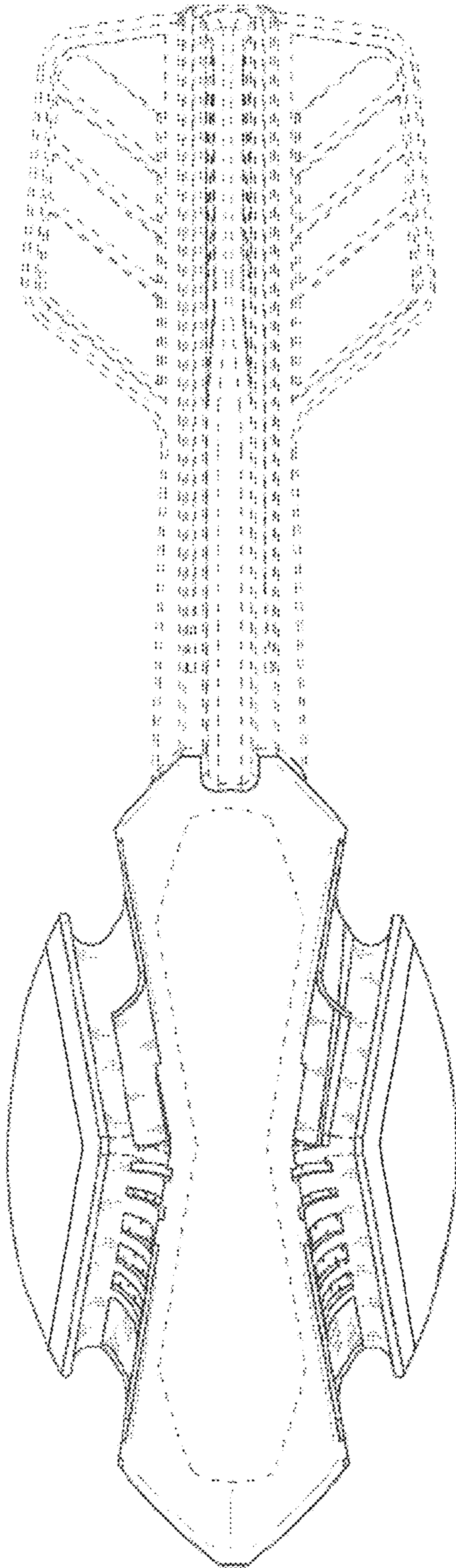
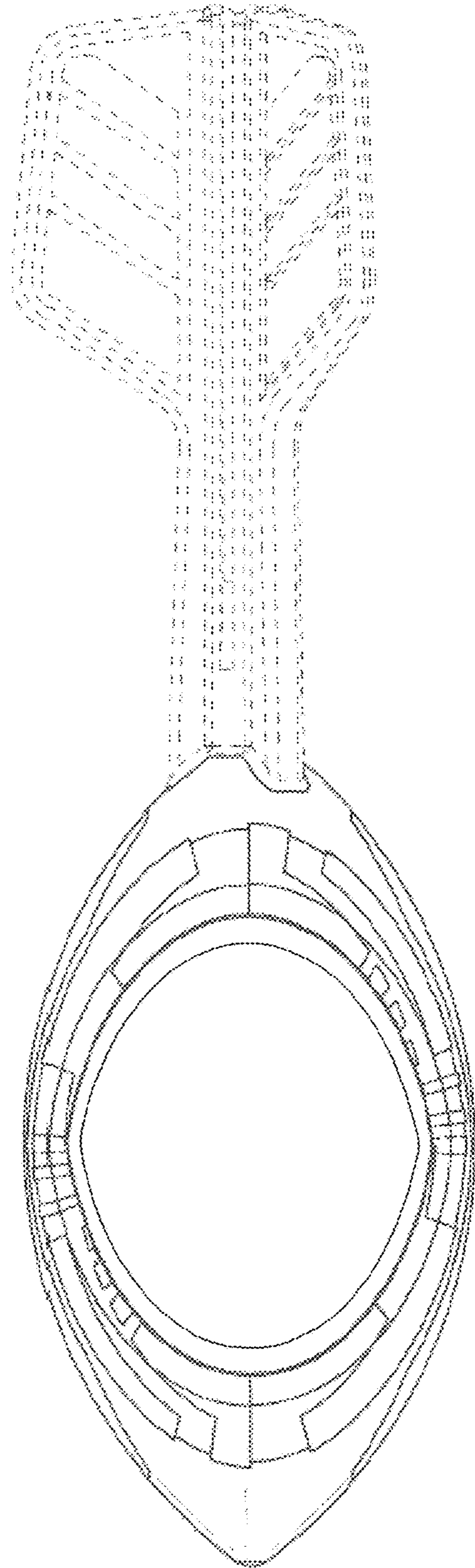


FIG. 3



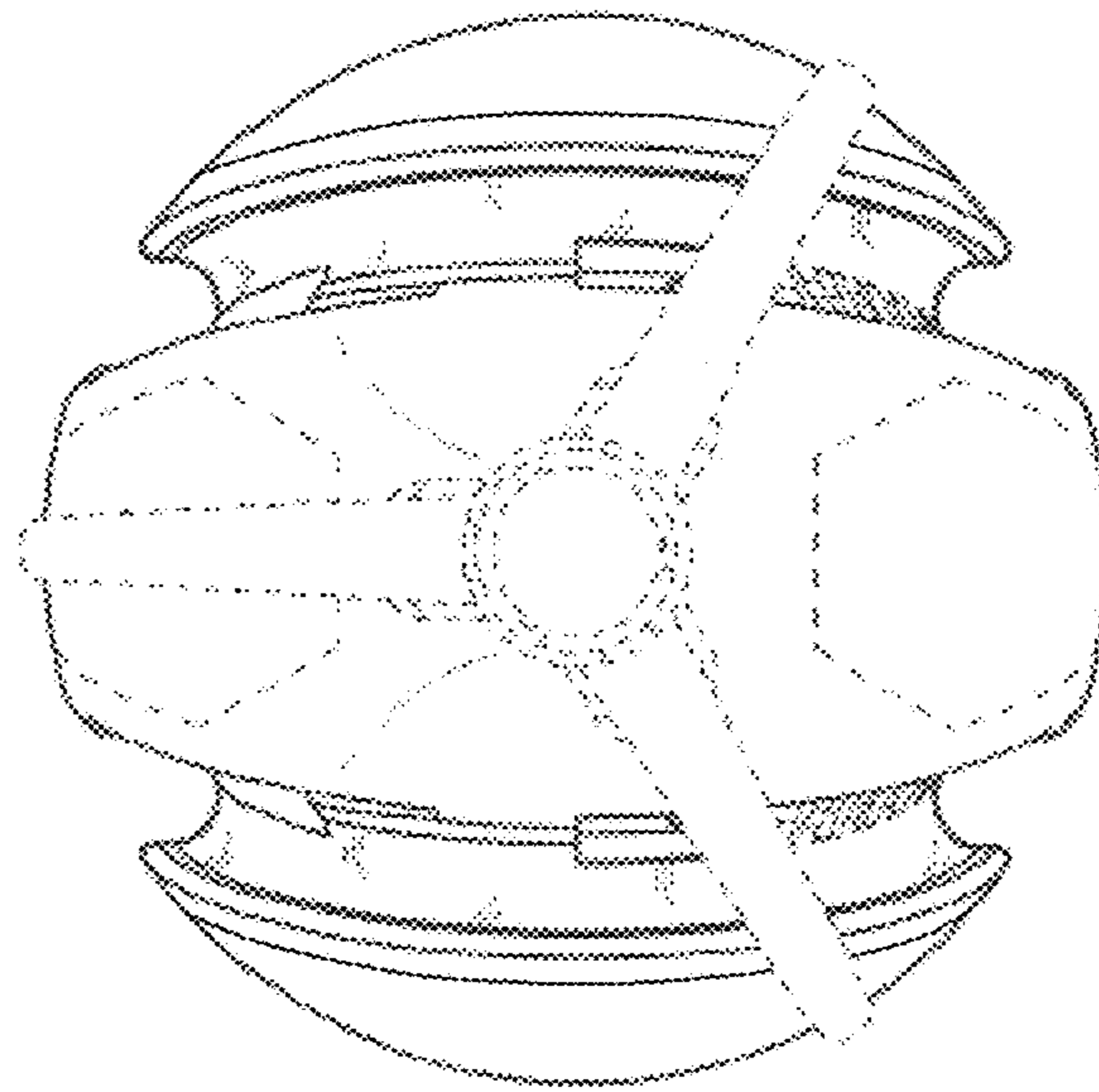
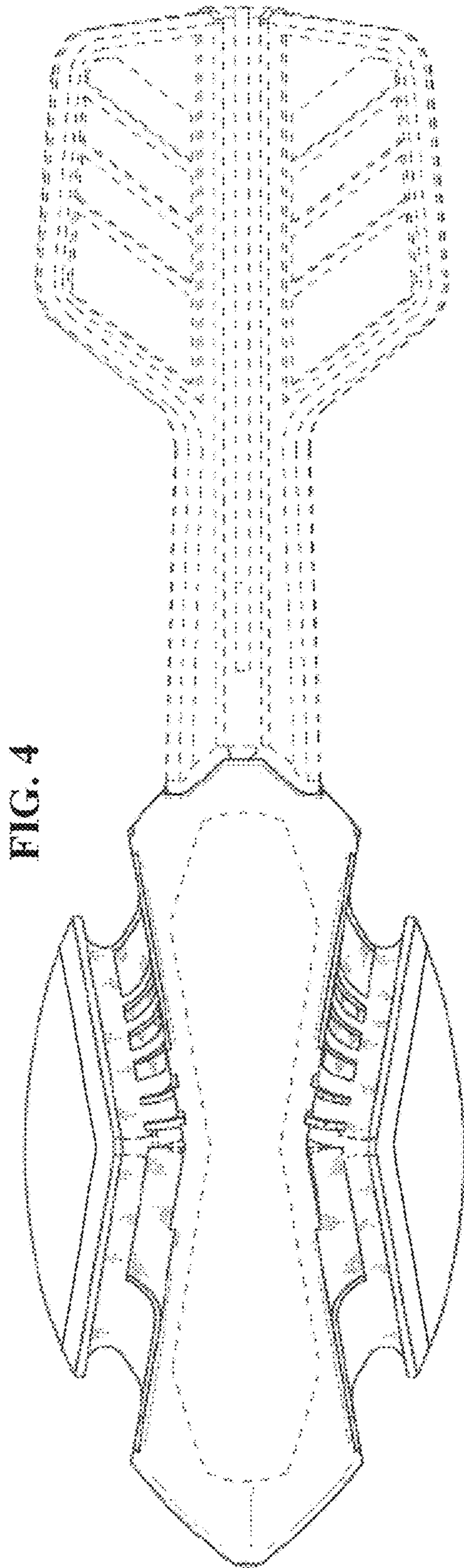


FIG. 6

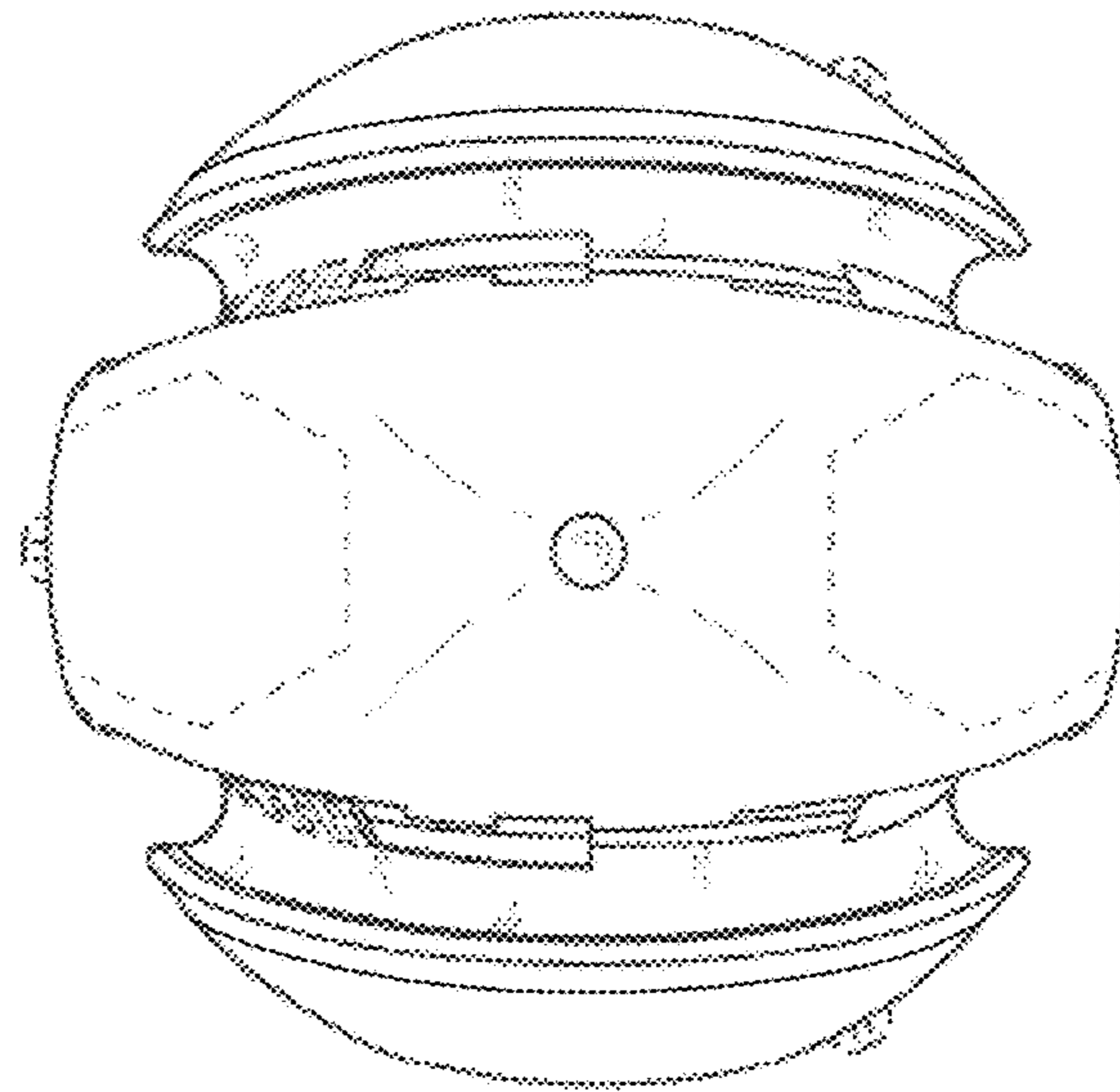


FIG. 5