



US00D889053S

(12) **United States Design Patent**
Blair

(10) **Patent No.:** **US D889,053 S**

(45) **Date of Patent:** **** *Jun. 30, 2020**

- (54) **HORSESHOE**
- (71) Applicant: **Advanced Equine Comfort, LLC**,
Highlands, NC (US)
- (72) Inventor: **Susan Blair**, Highlands, NC (US)
- (73) Assignee: **Advanced Equine Comfort, LLC**,
Highlands, NC (US)
- (*) Notice: This patent is subject to a terminal disclaimer.
- (**) Term: **15 Years**
- (21) Appl. No.: **29/694,979**
- (22) Filed: **Jun. 14, 2019**
- (51) **LOC (12) Cl.** **30-01**
- (52) **U.S. Cl.**
USPC **D30/147**
- (58) **Field of Classification Search**
USPC D2/897, 898, 899; D9/650; D21/387;
D30/146, 147, 148, 149, 150
CPC A01L 1/00; A01L 1/02; A01L 1/04; A01L
3/00; A01L 3/02; A01L 5/00; A01L 7/02
See application file for complete search history.

3,794,119 A	2/1974	Paiso et al.
3,967,683 A	7/1976	Ensinozo
D253,013 S	9/1979	Hiraoka
4,189,004 A	2/1980	Glass
4,212,356 A	7/1980	Battle
D257,693 S	12/1980	Poust, Sr.
4,346,762 A *	8/1982	Tovim A01L 3/02 168/17
D271,912 S	10/1983	Kurpakus (Continued)

FOREIGN PATENT DOCUMENTS

FR	2860127	4/2005
WO	2004107857	12/2004
WO	DM099074	6/2018

Primary Examiner — George D. Kirschbaum
Assistant Examiner — Joseph J. Kukella
 (74) *Attorney, Agent, or Firm* — Kim and Lahey Law Firm, LLC; Seann P. Lahey

(57) **CLAIM**

The ornamental design for a horseshoe, as shown and described.

DESCRIPTION

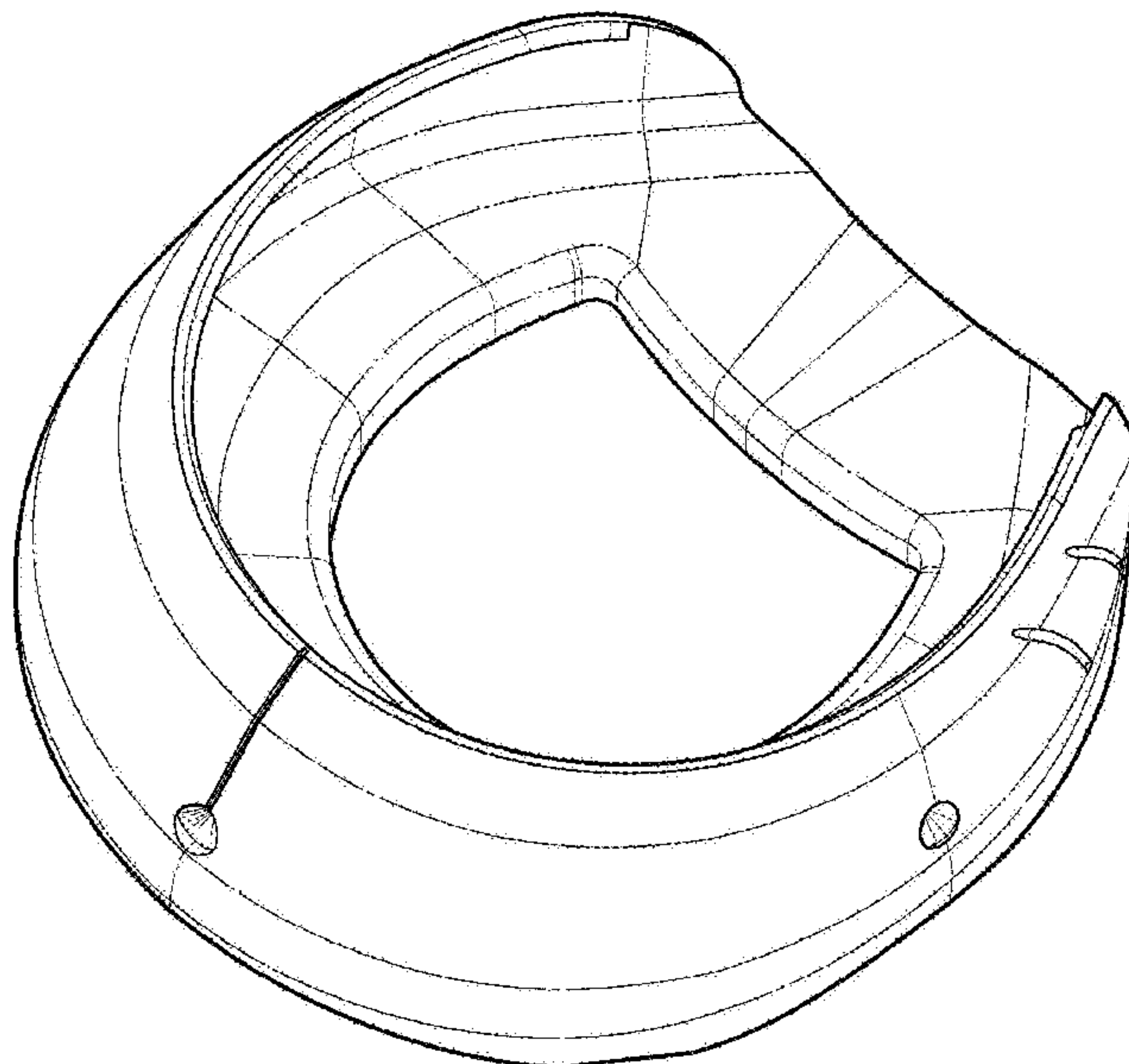
FIG. 1 is a top perspective view of the horseshoe design; FIG. 2 is a bottom perspective view of the horseshoe design; FIG. 3 is a front perspective view of the horseshoe design; FIG. 4 is a rear perspective view of the horseshoe design; FIG. 5 is a front elevation view of the horseshoe design; FIG. 6 is a rear elevation view of the horseshoe design; FIG. 7 is a left side elevation view of the horseshoe design, wherein a right side elevation view is a mirror image of that shown in FIG. 7; FIG. 8 is a top plan view of the horseshoe design; FIG. 9 is a bottom plan view of the horseshoe design; and, FIG. 10 is a cross-section of a right side elevation view of the horseshoe design.

1 Claim, 7 Drawing Sheets

(56) **References Cited**

U.S. PATENT DOCUMENTS

177,991 A	5/1876	Cook
609,551 A	8/1898	Lang
D29,414 S *	9/1898	Paar A01K 13/007 D30/147
2,041,538 A	5/1936	Gash
D133,721 S *	9/1942	King D30/147
3,236,310 A	2/1966	Quick
3,486,561 A	12/1969	Kulak
3,490,536 A	1/1970	Hourlier
3,599,720 A	8/1971	Mathem
D230,284 S	2/1974	Shenton et al.



(56)

References Cited

U.S. PATENT DOCUMENTS

4,470,466 A 9/1984 Nakanishi
 4,564,071 A 1/1986 Lee
 D285,499 S 9/1986 Nakanishi
 D295,907 S 5/1988 Decker
 4,892,150 A 1/1990 Thoman
 5,148,872 A 9/1992 Dallmer
 5,272,857 A 12/1993 Logan
 D359,597 S 6/1995 Dixon
 D440,363 S 4/2001 Ford
 6,516,594 B2 2/2003 Clark et al.
 7,178,321 B2 2/2007 Ruetenik
 7,207,163 B2* 4/2007 Maestrini A01K 13/007
 54/82
 D565,255 S 3/2008 Lander
 D580,111 S 11/2008 Lander
 D603,108 S 10/2009 Lander
 D629,165 S 12/2010 Lander
 D629,977 S 12/2010 Ford
 D644,271 S 8/2011 Osborne

8,151,546 B2 4/2012 Ford
 D671,694 S 11/2012 Ford
 D683,084 S 5/2013 Lander
 D685,142 S 6/2013 Lander
 D689,246 S 9/2013 Blair et al.
 D693,525 S * 11/2013 Osborne A01K 13/007
 D30/149
 D726,973 S 4/2015 Ford
 D746,519 S 12/2015 Ruetenik
 D767,830 S 9/2016 Blair
 D832,531 S 10/2018 Liblin
 D838,059 S 1/2019 Ruetenik
 D876,029 S * 2/2020 Blair A01K 13/007
 D30/147
 D876,030 S * 2/2020 Blair A01L 3/02
 D30/147
 D876,031 S * 2/2020 Blair D30/147
 2005/0217870 A1 10/2005 Kolonia
 2007/0033909 A1 2/2007 Lustgarten
 2012/0118587 A1 5/2012 Patek
 2018/0020653 A1 1/2018 Charnley

* cited by examiner

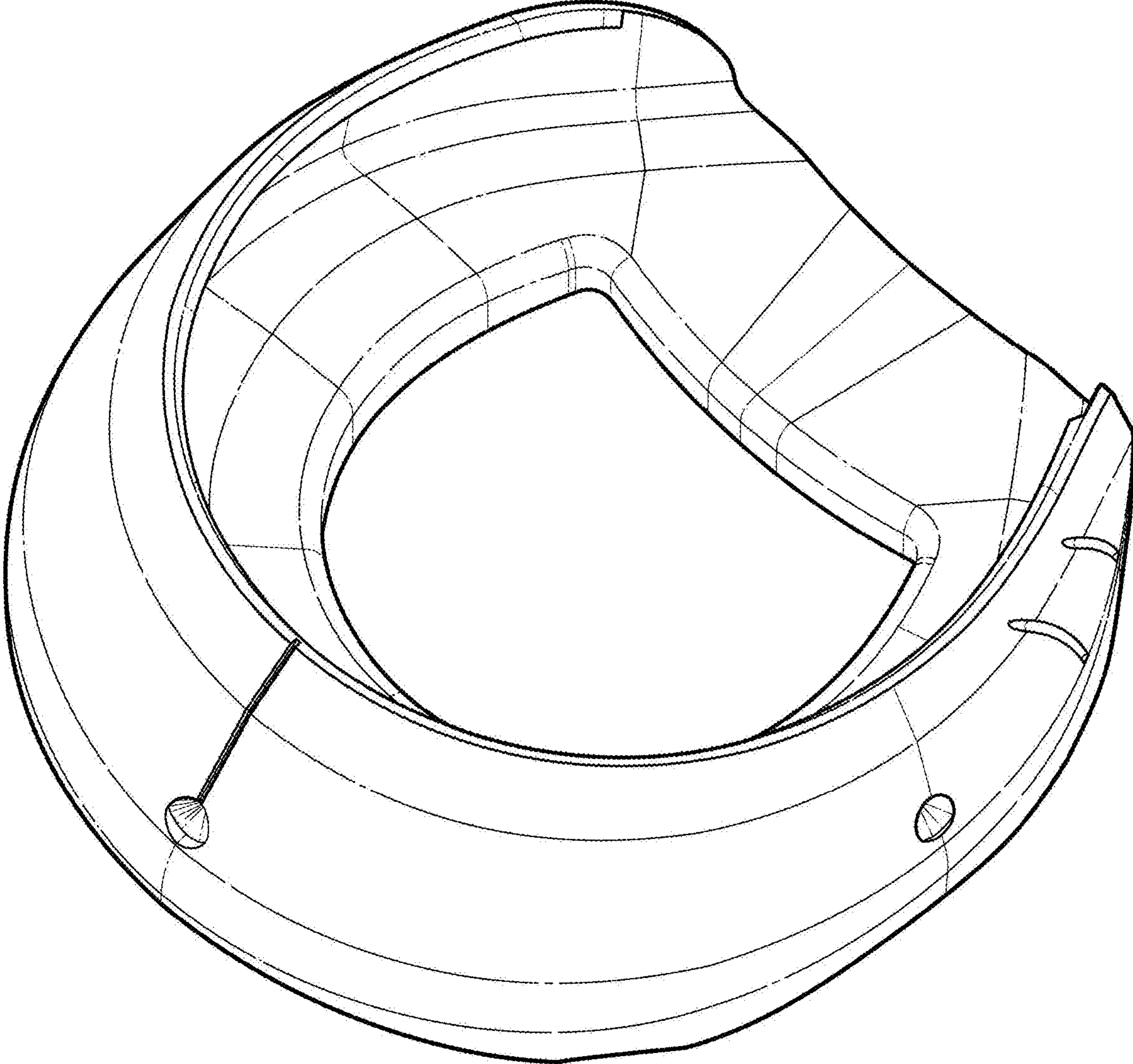


FIG. 1

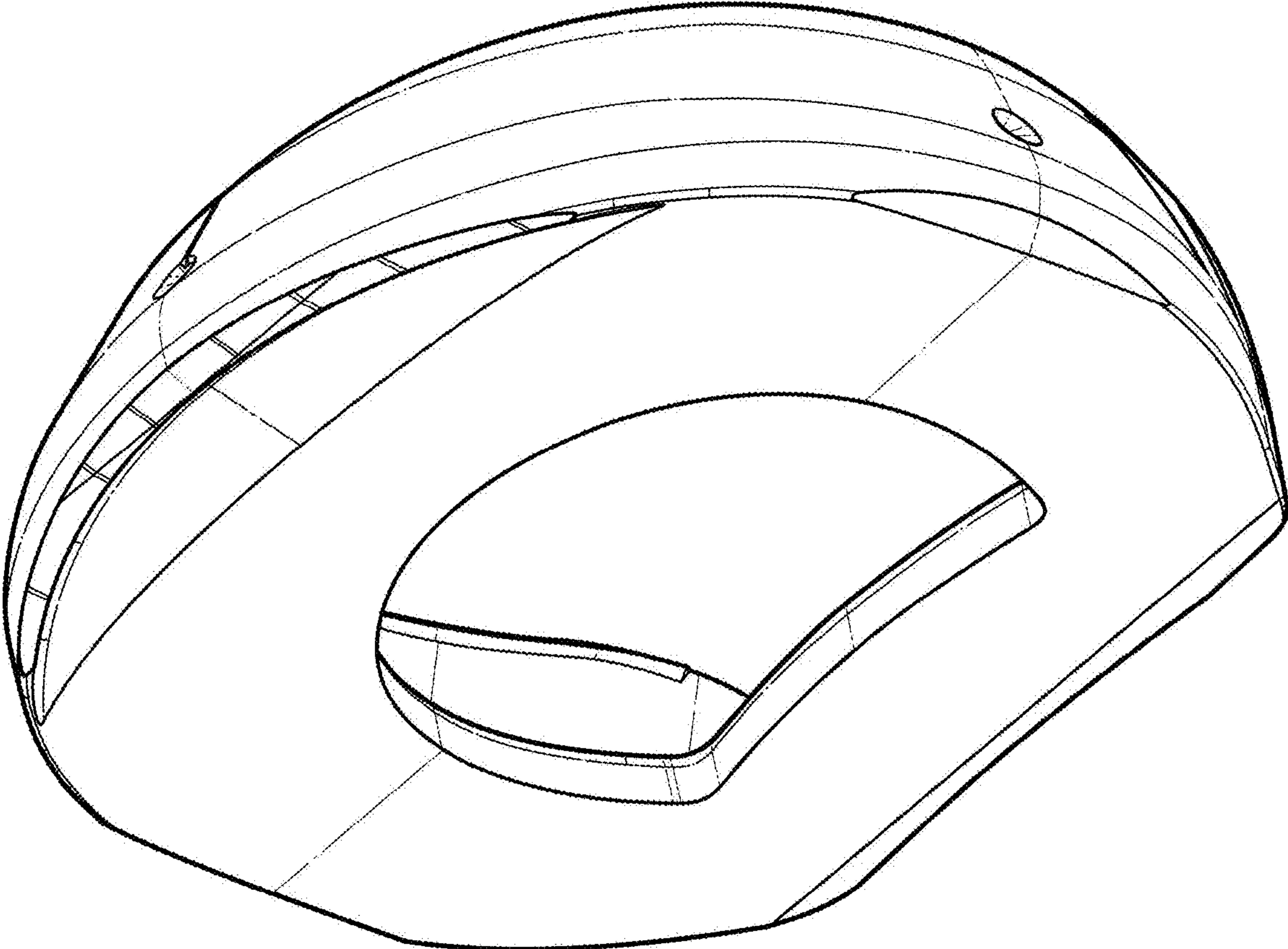


FIG. 2

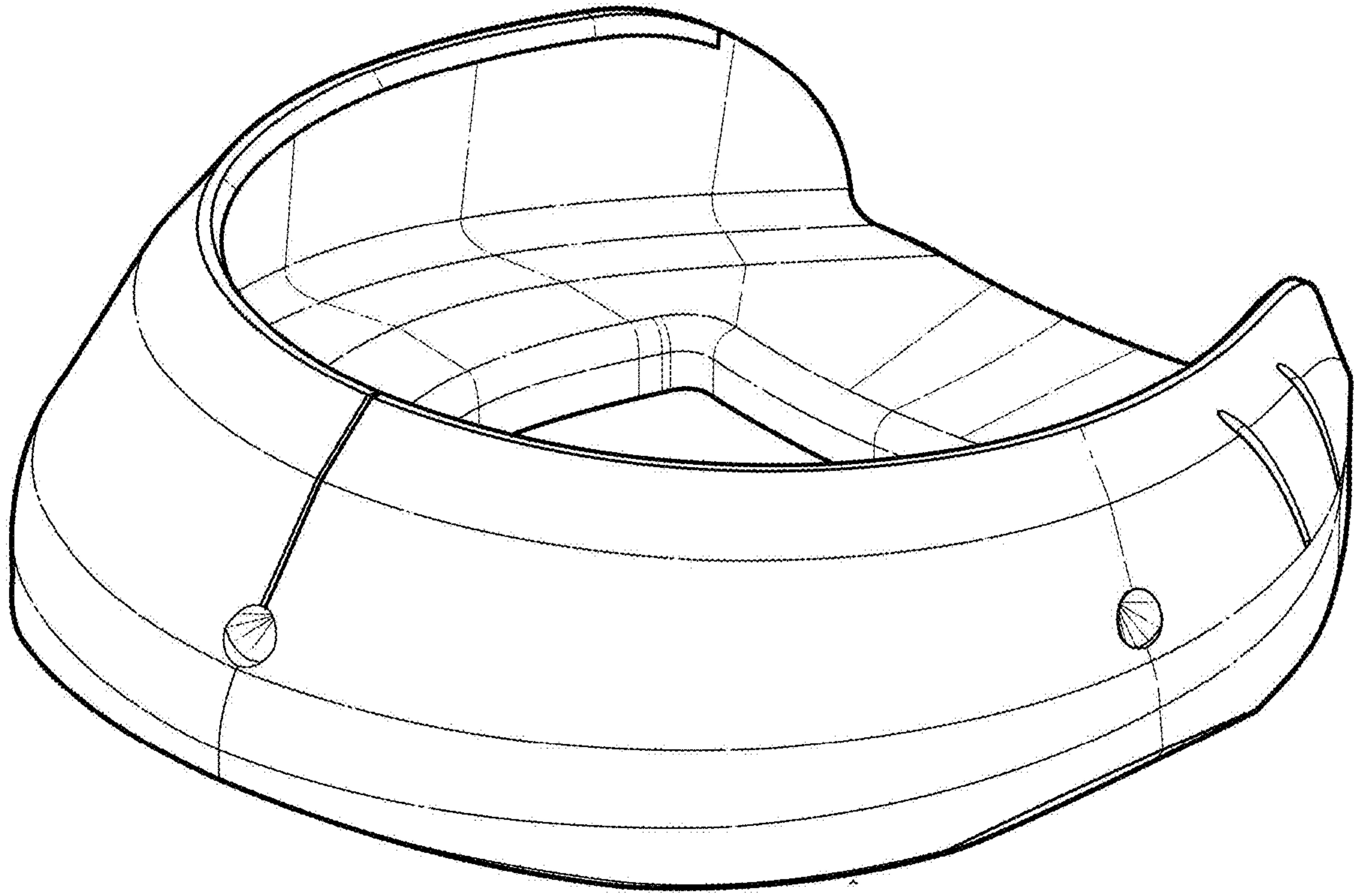


FIG. 3

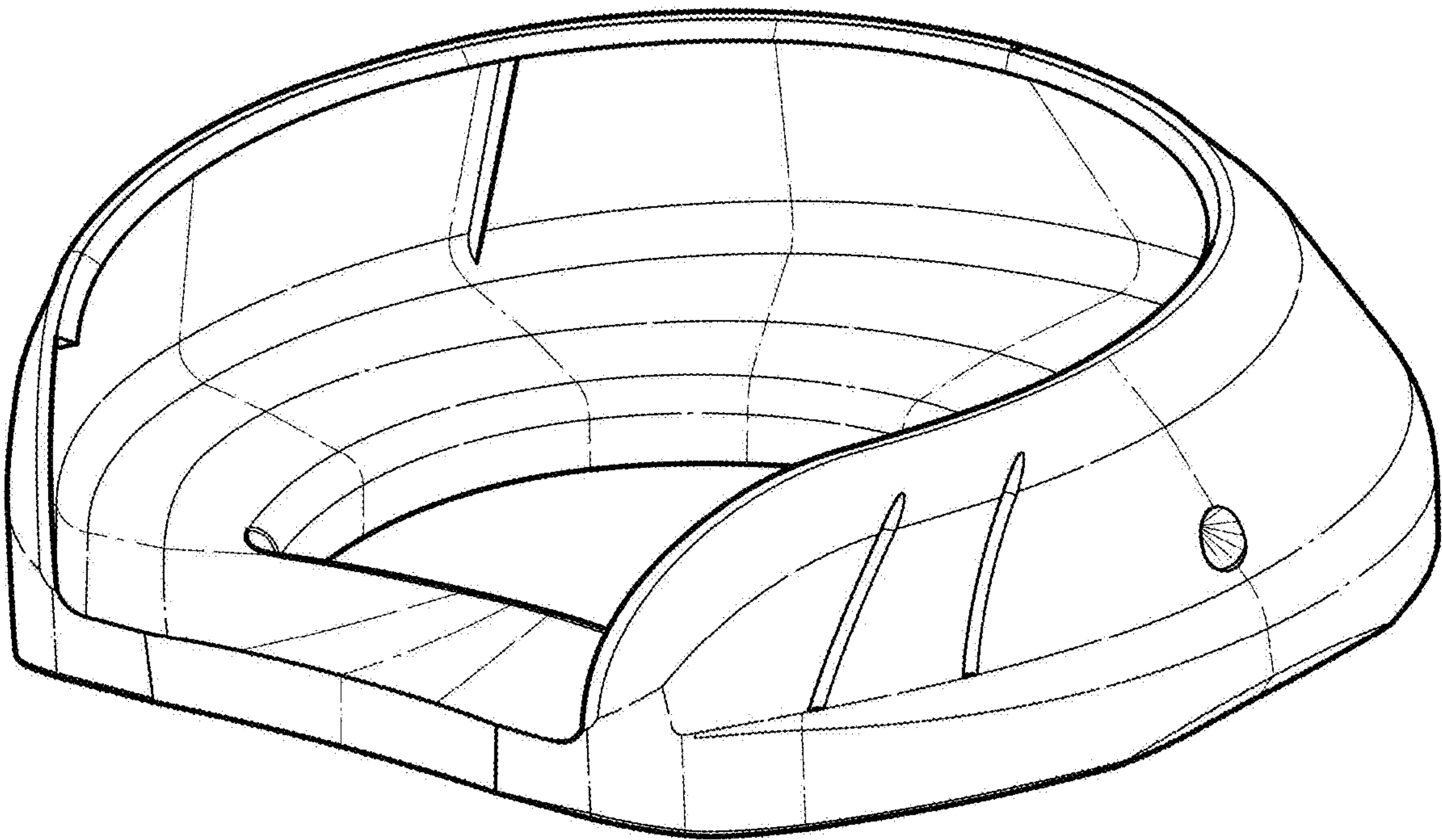


FIG. 4

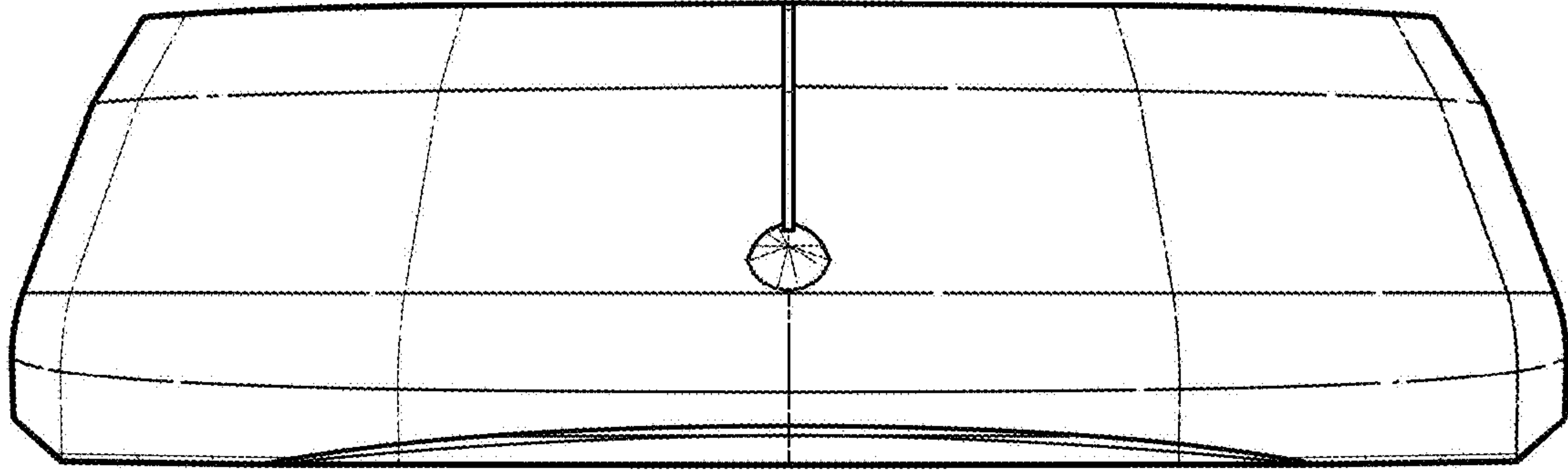


FIG. 5

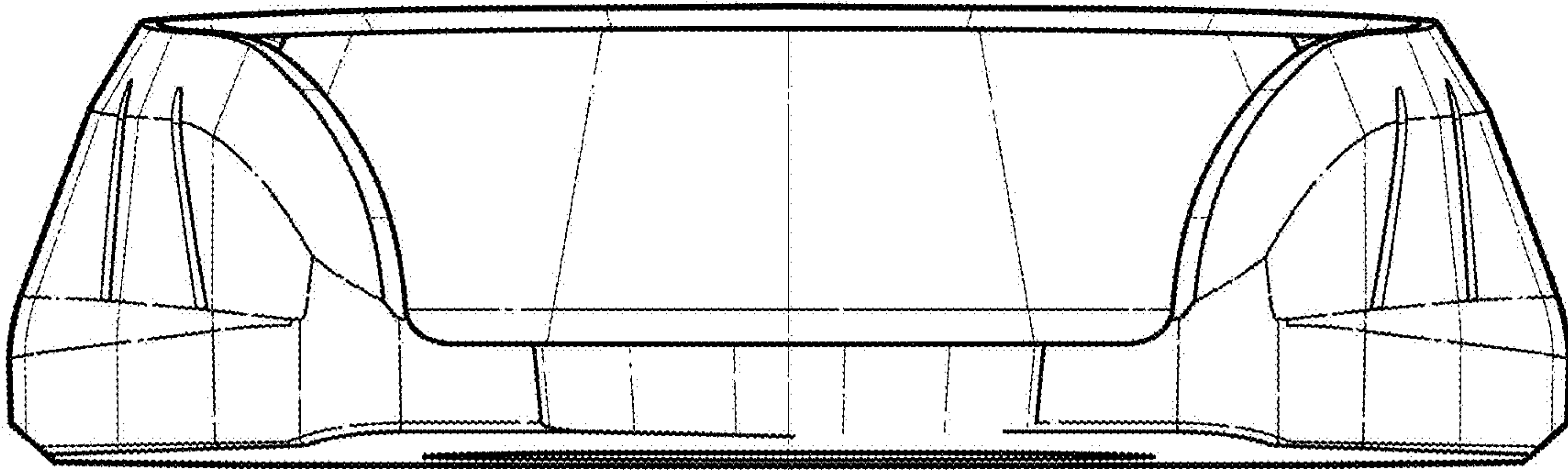


FIG. 6

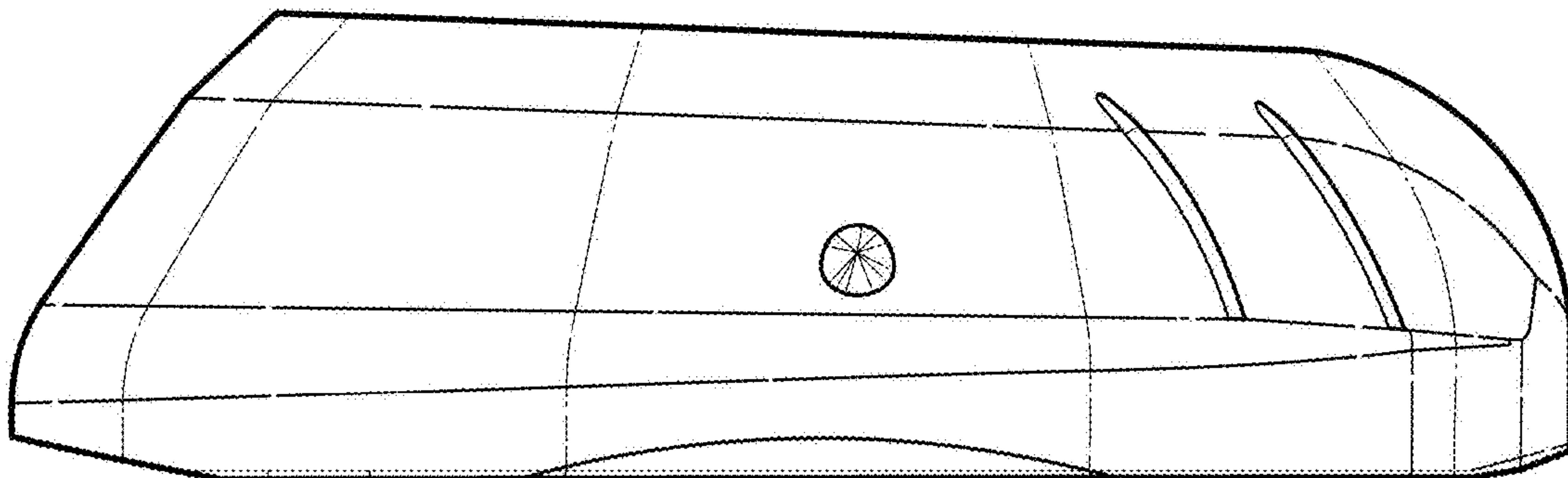


FIG. 7

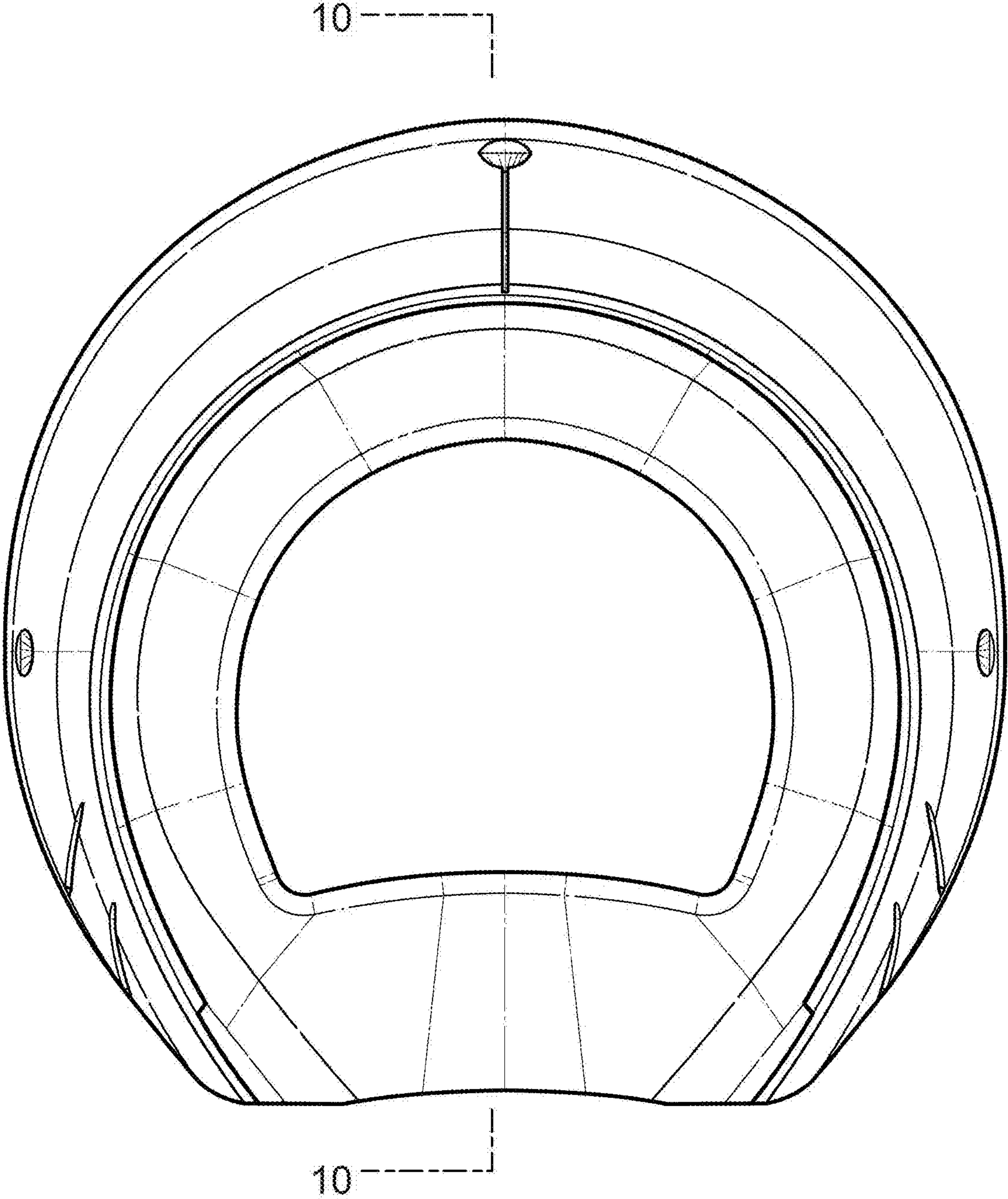


FIG. 8

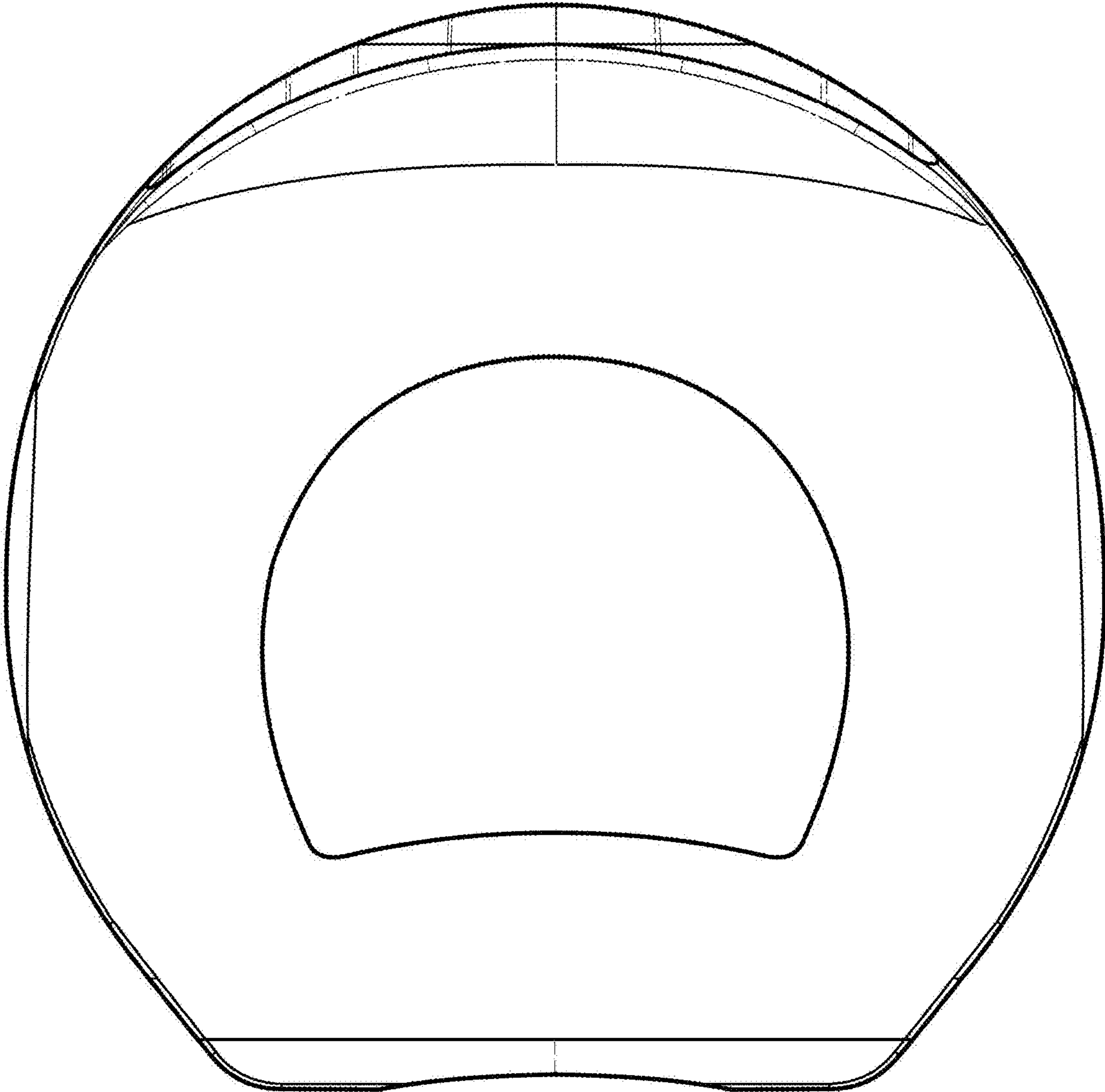


FIG. 9

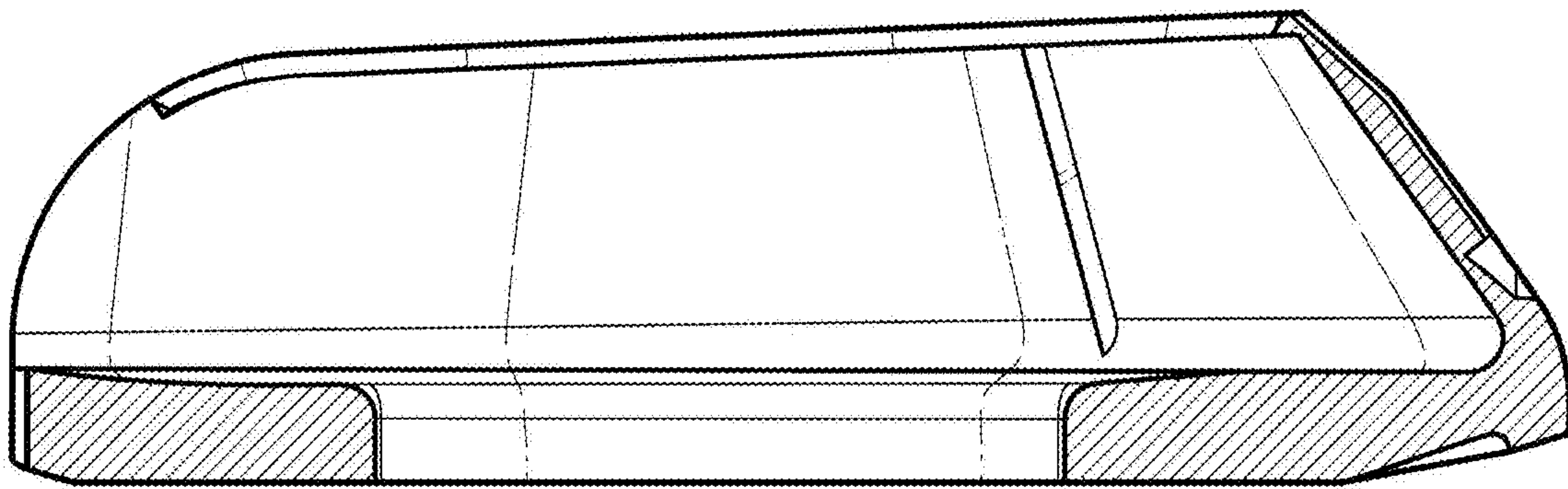


FIG. 10