



US00D889052S

(12) **United States Design Patent**
Bak

(10) **Patent No.:** **US D889,052 S**

(45) **Date of Patent:** **** Jun. 30, 2020**

(54) **PETS ERGONOMIC FEEDER**

(71) Applicant: **B2B International Pty Ltd, St Leonards (AU)**

(72) Inventor: **Joshua Jisoo Bak, Killara (AU)**

(**) Term: **15 Years**

(21) Appl. No.: **29/728,182**

(22) Filed: **Mar. 17, 2020**

(51) **LOC (12) Cl.** **30-03**

(52) **U.S. Cl.**
USPC **D30/133**

(58) **Field of Classification Search**
USPC D30/133, 121, 128, 130, 132; 119/52.1, 119/55, 61.5, 61.6, 61.57, 61.56, 51.01, 119/51.5, 58, 60, 61.1, 61.2, 61.31, 61.54, 119/72, 74, 76, 81; D6/480-485, 564, D6/598, 316; 248/188; 312/204; 108/153.1-157; D11/134, 52, 82, 100, D11/127, 144, 149, 158, 205, 207, 217, D11/219, 224, 239, 14, 31; D21/617; D7/551.3, 544; D27/116; D20/30, 19, D20/24, 12, 42; 211/37, 38, 42
CPC A01K 5/00; A01K 5/01; A01K 5/0107; A01K 5/0114; A01K 5/0121; A01K 5/0128; A01K 5/0135; A01K 7/005; A01K 7/00

See application file for complete search history.

(56) **References Cited**

U.S. PATENT DOCUMENTS

588,253 A * 8/1897 Wagner 248/129
D55,838 S * 7/1920 Badgley D21/425
D107,402 S * 12/1937 Bates D28/80
D151,473 S * 10/1948 Stahler D30/130
D171,644 S * 3/1954 Etienne D24/199
2,723,037 A * 11/1955 Matesic A47B 13/16
211/74
D185,809 S * 8/1959 Myers et al. D7/708

3,085,545 A * 4/1963 Ore A01M 29/08
116/22 A
D205,102 S * 6/1966 Pawelka D9/436
D227,231 S * 6/1973 Stamper D9/607
D293,947 S * 1/1988 Younker D30/130
D331,174 S * 11/1992 Polski D7/621
5,501,176 A * 3/1996 Tully A01K 5/0114
119/61.57
D397,278 S * 8/1998 Wang D7/701
D420,170 S * 2/2000 Chen D28/22
D481,592 S * 11/2003 Bulcher D7/553.1
D482,393 S * 11/2003 Hui D19/116
D503,617 S * 4/2005 Roth D9/451
6,901,880 B2 * 6/2005 Hammer A01K 5/0114
119/61.4
6,945,502 B2 * 9/2005 Restifo A45F 3/44
248/146
D511,463 S * 11/2005 Wolters D9/611
7,204,202 B2 * 4/2007 Behun A01K 5/0128
119/61.5
D541,994 S * 5/2007 Dana D30/129
D566,346 S * 4/2008 Crone D30/160

(Continued)

Primary Examiner — Susan Moon Lee

(74) *Attorney, Agent, or Firm* — KA Filing LLC; Wayne V. Harper

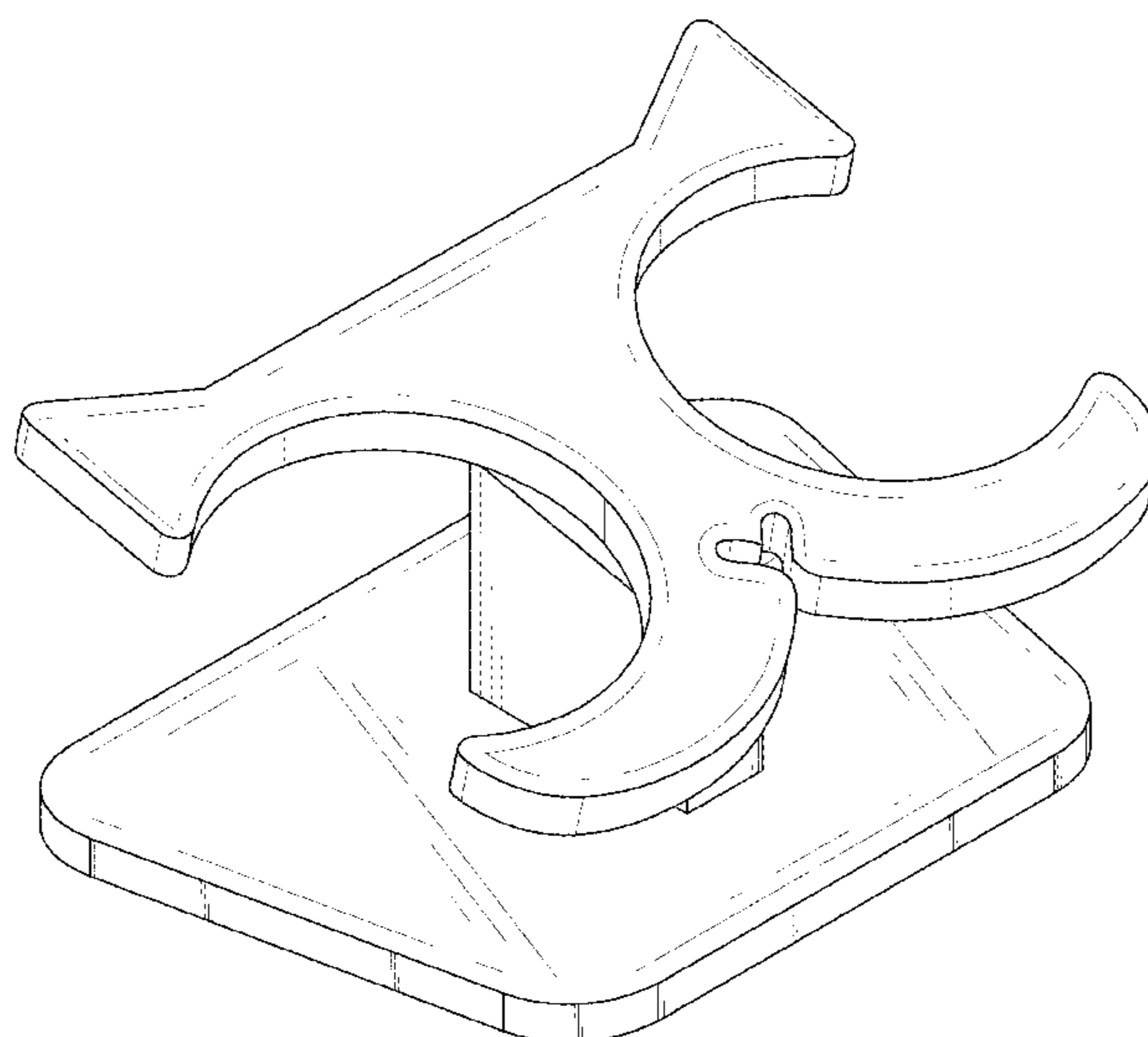
(57) **CLAIM**

I claim the ornamental design for a pets ergonomic feeder, as shown and described.

DESCRIPTION

FIG. 1 is a Perspective view of a pets ergonomic feeder showing my new design;
FIG. 2 is a Front view thereof.
FIG. 3 is a Back view thereof;
FIG. 4 is a Left-side view thereof;
FIG. 5 is a Right-side view thereof;
FIG. 6 is a Top view thereof; and,
FIG. 7 is a Bottom view thereof.

1 Claim, 7 Drawing Sheets



(56)

References Cited

U.S. PATENT DOCUMENTS

7,738,252 B2 *	6/2010	Schuette	G06F 1/206				
				165/185				
D630,070 S *	1/2011	Mazur	D8/38				
D657,756 S *	4/2012	Mueller	D13/179				
D676,710 S *	2/2013	Kwok	D7/544				
D683,190 S *	5/2013	Shields	D30/129				
D683,592 S *	6/2013	Shields	D30/129				
D684,211 S *	6/2013	Roth	D19/2				
8,464,659 B1 *	6/2013	Batman	A01K 5/0114				
				119/61.56				
D689,829 S *	9/2013	Chen	D13/179				
D690,561 S *	10/2013	Sanders	D24/198				
D695,974 S *	12/2013	Young	D30/130				
D698,792 S *	2/2014	Lin	D14/435				
D701,909 S *	4/2014	Pascale	D19/99				
D702,689 S *	4/2014	Lin	D14/435				
D702,690 S *	4/2014	Lin	D14/435				
D711,052 S *	8/2014	Lee	A01K 5/0114				
				D30/121				
D714,789 S *	10/2014	Chen	D14/432				
D735,201 S *	7/2015	Lin	D14/435				
D743,805 S *	11/2015	Glass	D9/431				
9,226,478 B1 *	1/2016	Uhl	A01K 5/0114				
D756,571 S *	5/2016	Colvin	D30/121				
D770,280 S *	11/2016	Katopis	D9/451				
D772,493 S *	11/2016	Wu	D30/129				
D772,494 S *	11/2016	Wu	D30/133				
D774,907 S *	12/2016	Planer	D9/438				
D784,631 S *	4/2017	Smesny	D30/121				
D792,661 S *	7/2017	Wold	D30/121				
D793,400 S *	8/2017	Lin	D13/179				
D794,260 S *	8/2017	Tanumihardja	D30/133				
D800,396 S *	10/2017	Coviello	D30/133				
D815,544 S *	4/2018	Soegyanto	D9/702				
D823,553 S *	7/2018	Liu	D30/130				
10,111,402 B2 *	10/2018	Takagi	A01K 1/0114				
D842,304 S *	3/2019	Depay	D14/435				
D857,308 S *	8/2019	Bak	D30/133				
D862,402 S *	10/2019	Lin	D13/179				
10,548,294 B1 *	2/2020	Price	A01K 5/0114				
10,645,903 B2 *	5/2020	Yang	A01K 5/0114				
2003/0106498 A1 *	6/2003	Mersits	A01K 5/0142				
				119/61.53				
2005/0072366 A1 *	4/2005	Hammer	A01K 5/0114				
				119/61.57				
2006/0000418 A1 *	1/2006	Kubala	A01K 5/0114				
				119/53				
2006/0056154 A1 *	3/2006	Foster, Sr.	G06F 1/20				
				361/700				
2006/0268523 A1 *	11/2006	Lin	H01L 23/4006				
				361/710				
2008/0101036 A1 *	5/2008	Chen	H01L 23/4093				
				361/720				
2014/0367077 A1 *	12/2014	Wu	H01L 23/36				
2016/0088815 A1 *	3/2016	Maroske	A01K 5/0114				
				119/51.01				
2016/0135420 A1 *	5/2016	Takagi	A01K 1/0114				
				119/166				
2016/0251134 A1 *	9/2016	Takagi	B65D 77/042				
				119/166				
2016/0316715 A1 *	11/2016	Diamond	A01K 5/0114				
2018/0070557 A1 *	3/2018	Uhl	F16M 11/046				
2019/0216048 A1 *	7/2019	Uhl	A01K 7/00				

* cited by examiner

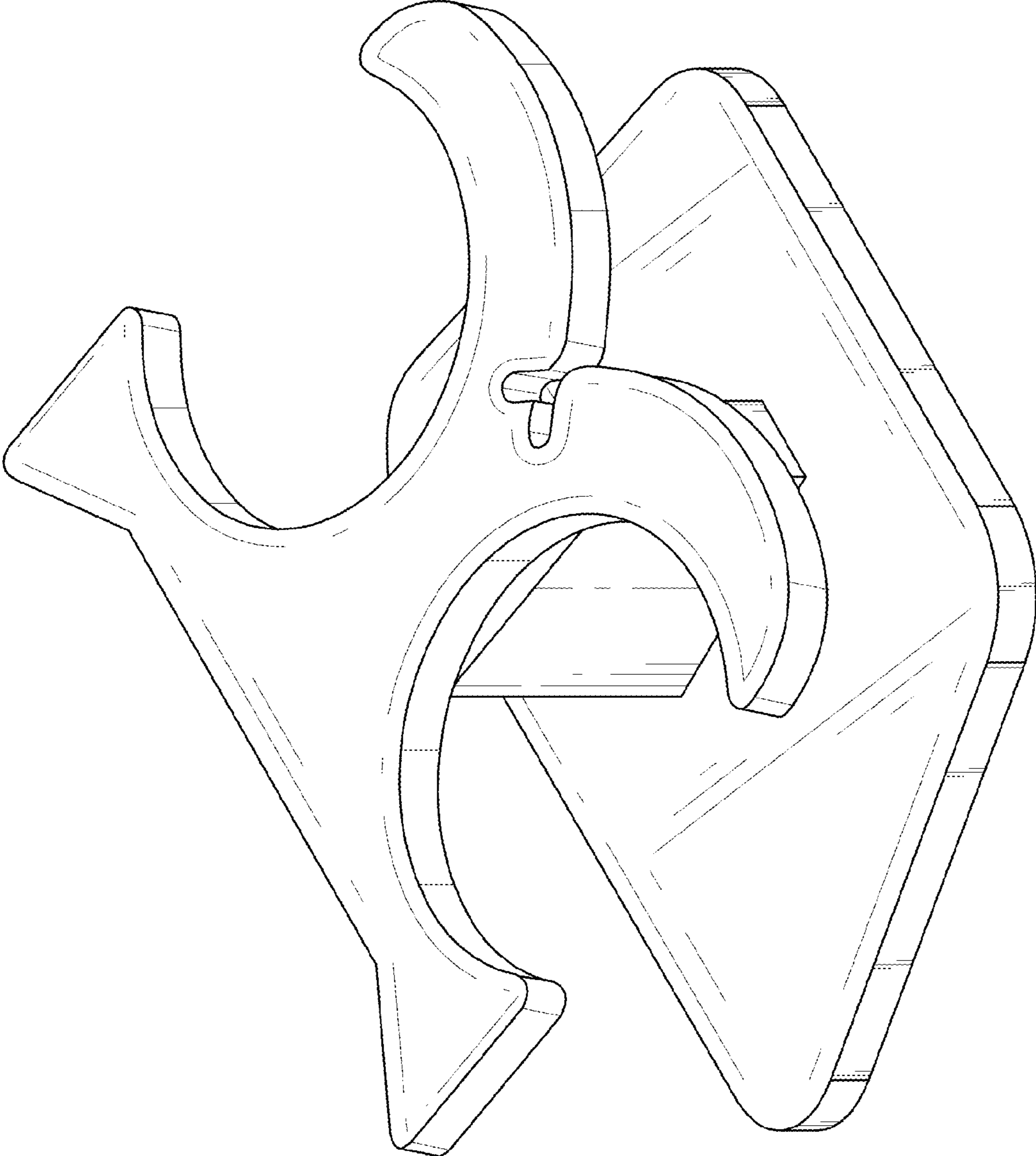


FIG. 1

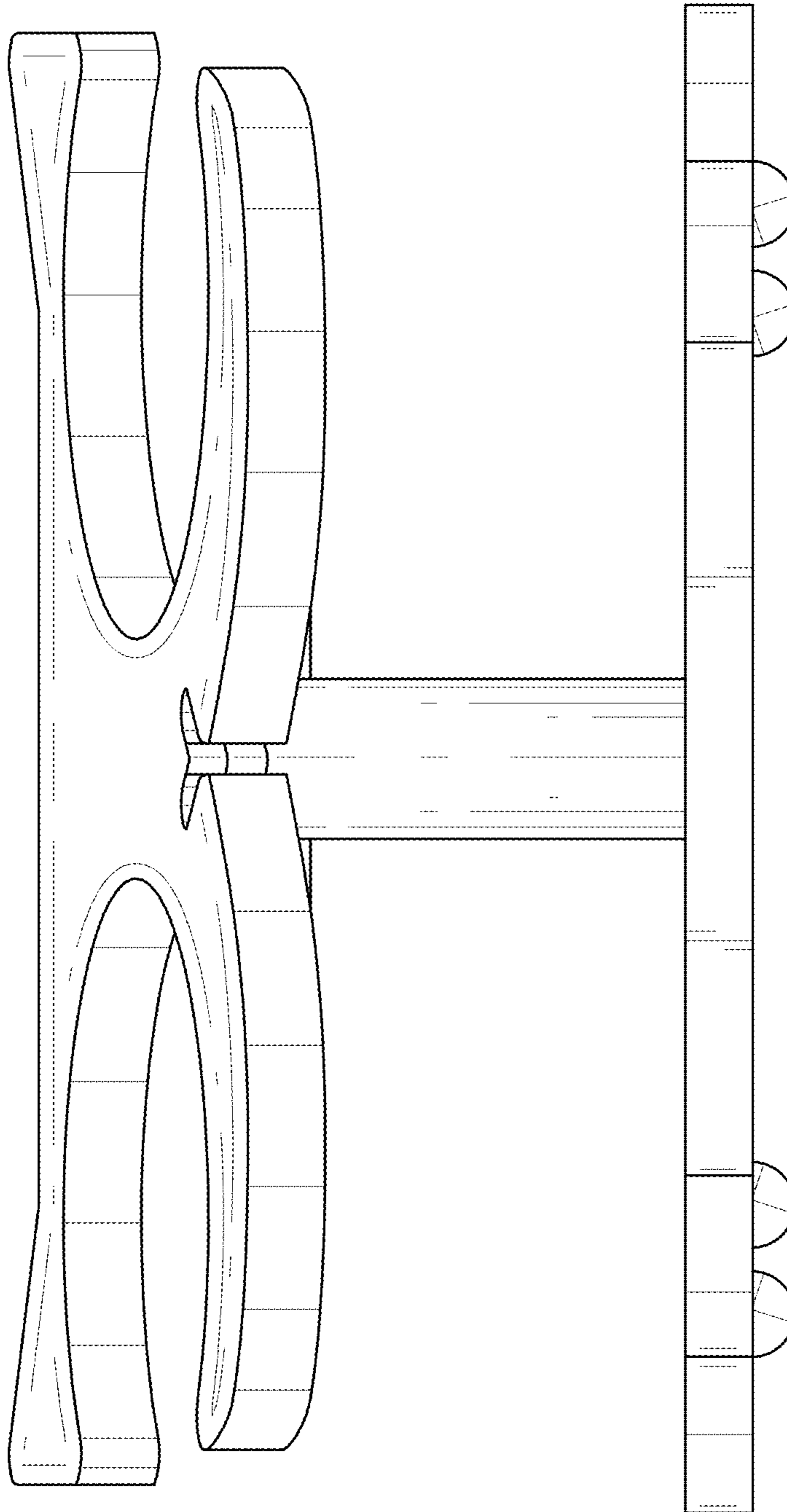


FIG. 2

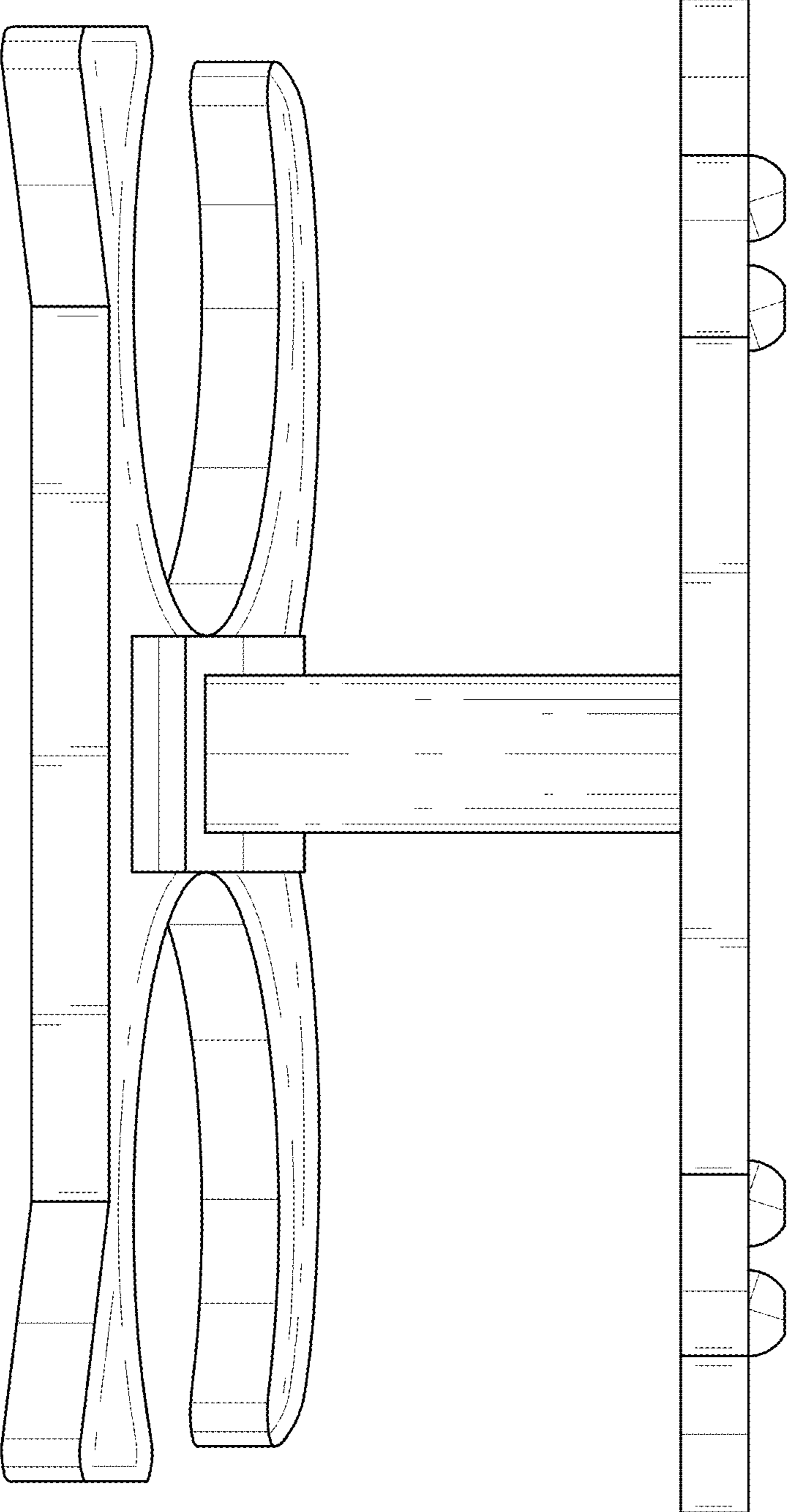


FIG. 3

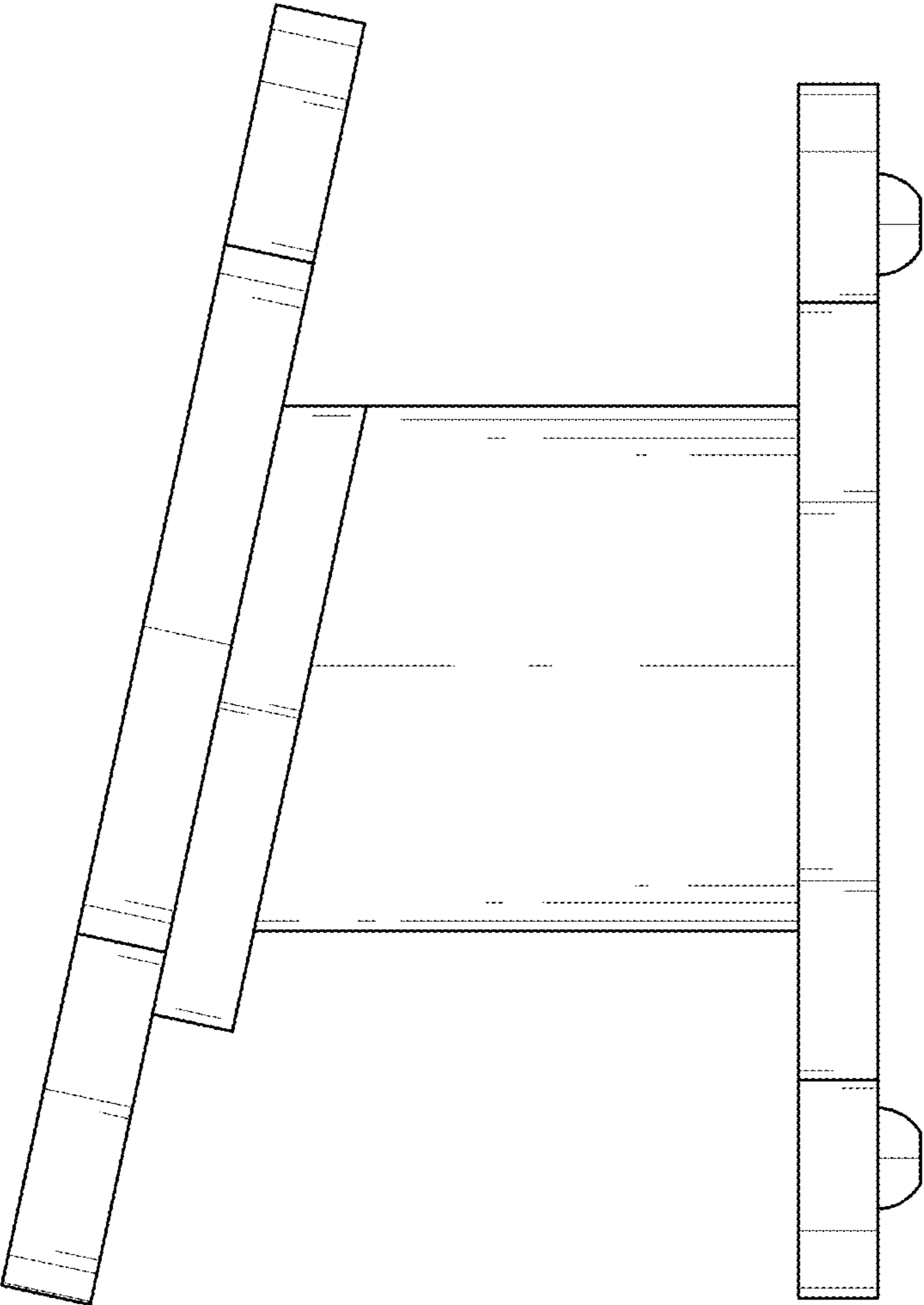


FIG. 4

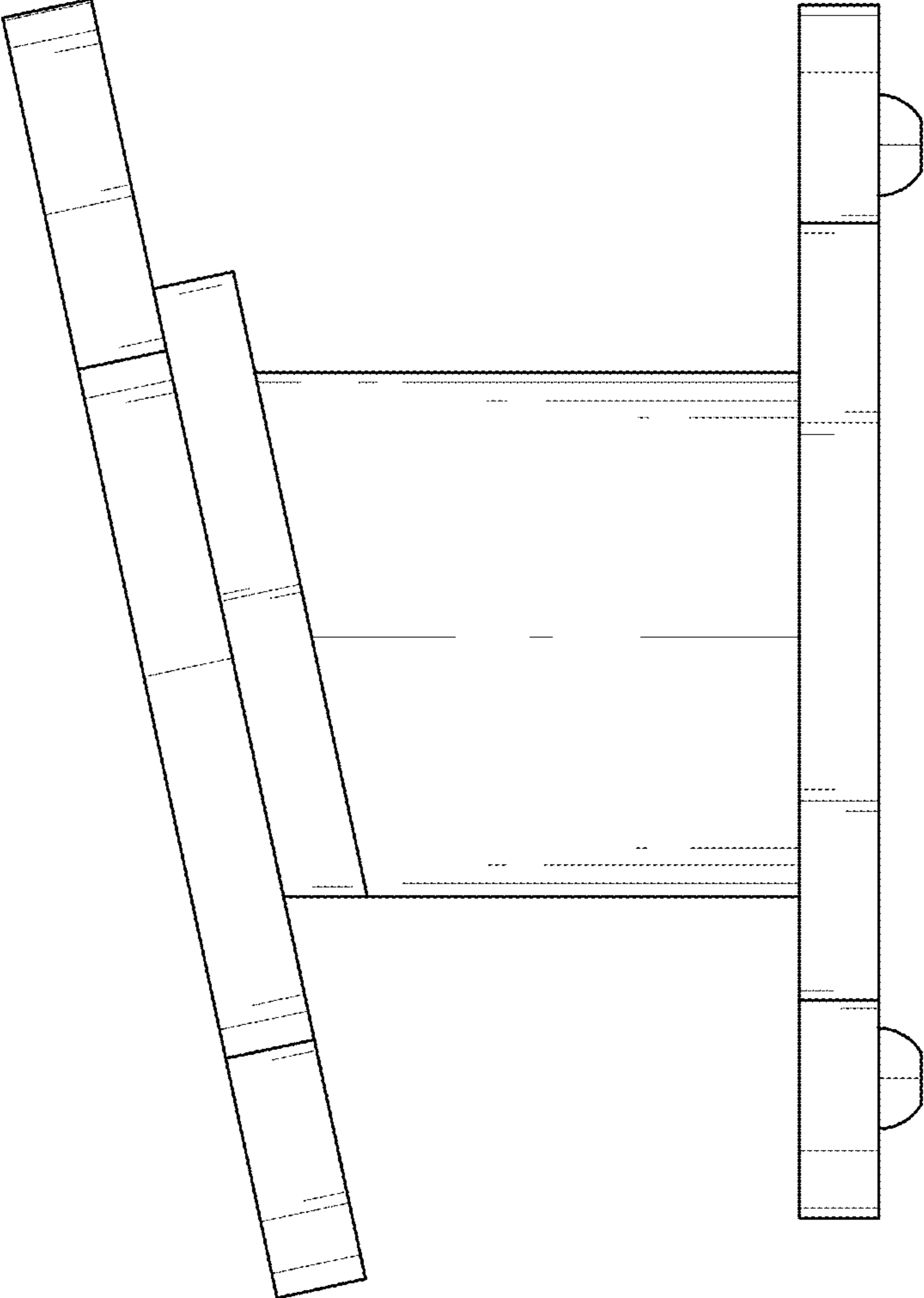


FIG. 5

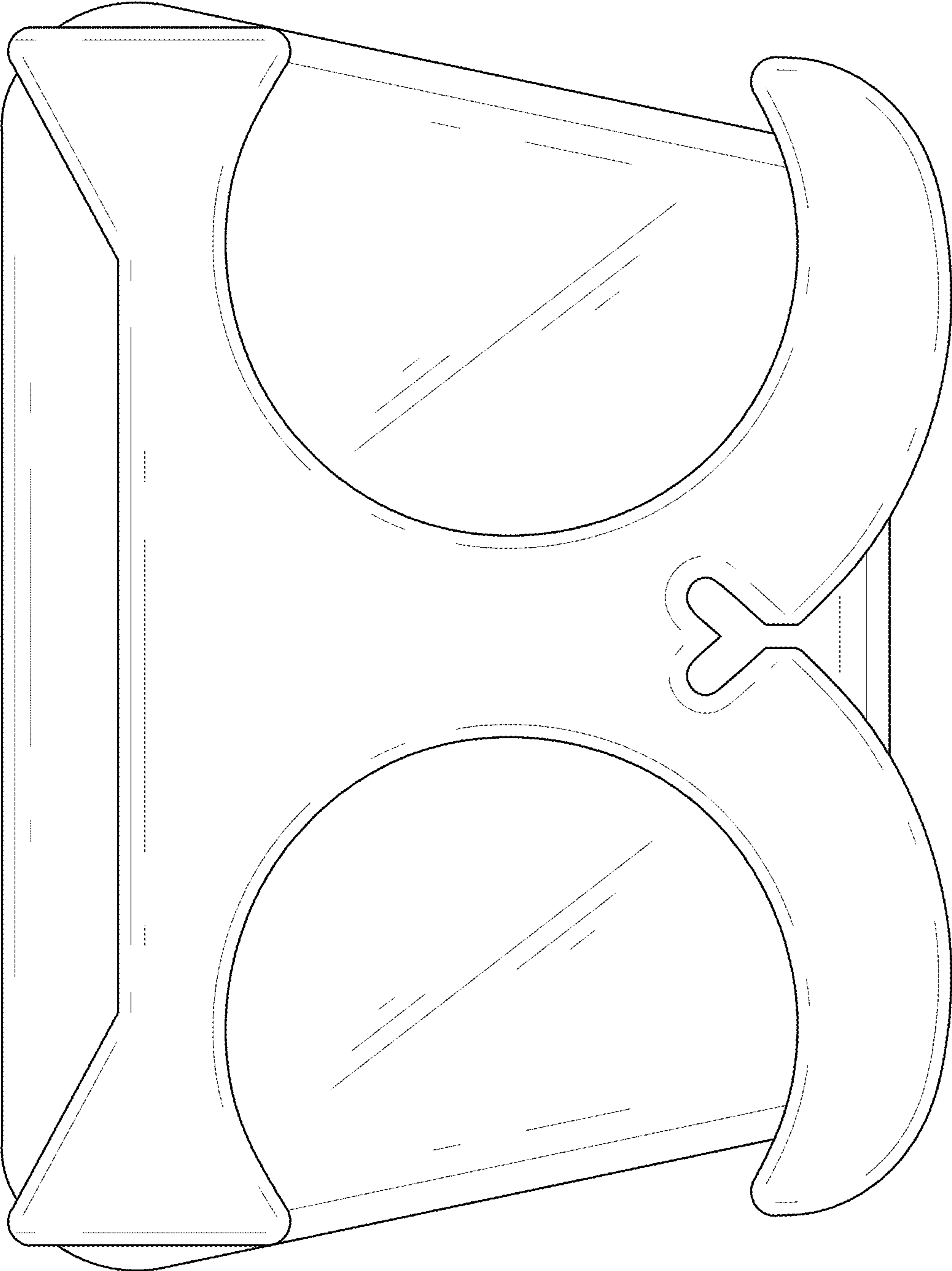


FIG. 6

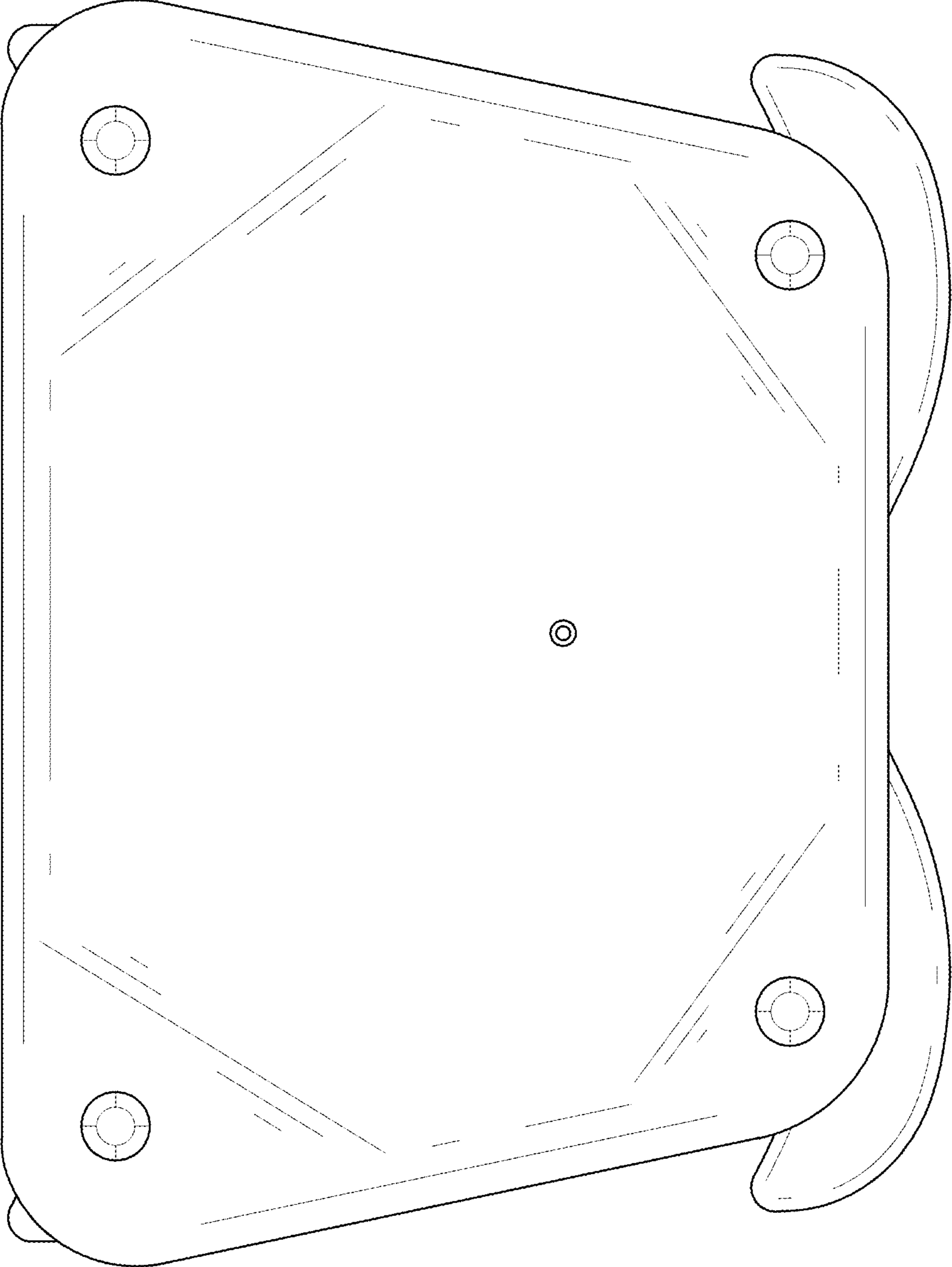


FIG. 7