



US00D889051S

(12) **United States Design Patent** (10) **Patent No.:** **US D889,051 S**  
**Combs et al.** (45) **Date of Patent:** **\*\* Jun. 30, 2020**

(54) **BIRD FEEDER**

- (71) Applicant: **Classic Brands, LLC**, Denver, CO (US)
- (72) Inventors: **Stephen Combs**, Denver, CO (US);  
**Lindsey Nifong**, Denver, CO (US);  
**Robert Donegan**, Denver, CO (US);  
**John Bruno**, Parker, CO (US); **Bryan Krueger**, Denver, CO (US)
- (73) Assignee: **CLASSIC BRANDS, LLC**, Denver, CO (US)
- (\*\*) Term: **15 Years**
- (21) Appl. No.: **29/713,359**
- (22) Filed: **Nov. 15, 2019**

**Related U.S. Application Data**

- (63) Continuation-in-part of application No. 29/698,021, filed on Jul. 12, 2019.
- (51) **LOC (12) Cl.** ..... **30-03**
- (52) **U.S. Cl.**  
USPC ..... **D30/127**
- (58) **Field of Classification Search**  
USPC ..... D30/121, 124, 126–129, 133, 199,  
D30/110–112, 123, 125; 119/52.2, 51.5,  
119/61.5, 57.8, 57.9, 52.3, 61.1, 531, 63,  
119/428–435, 52.4, 55, 61.3, 69.5, 75, 76;  
47/67, 83; 248/318; D11/164, 152;  
211/128.1; D27/123; D6/495, 460, 461,  
D6/476, 405  
CPC .... A01K 39/00; A01K 39/01; A01K 39/0113;  
A01K 39/012; A01K 39/06; A01K  
39/014; A01K 5/0225; A01K 5/00  
See application file for complete search history.

(56) **References Cited**

U.S. PATENT DOCUMENTS

- 3,051,126 A \* 8/1962 Merritt ..... A01K 39/0113  
119/52.4
- 3,136,296 A \* 6/1964 Luin ..... A01K 39/012  
119/52.2
- 3,734,061 A \* 5/1973 Kraus ..... A01K 39/012  
119/52.2
- 4,144,842 A \* 3/1979 Schlising ..... A01K 39/0113  
119/52.3
- 4,732,112 A \* 3/1988 Fenner ..... A01K 39/012  
119/52.2
- 5,062,388 A \* 11/1991 Kilham ..... A01K 39/012  
119/52.2
- 5,269,242 A \* 12/1993 Toldi ..... A01K 39/012  
119/52.2
- 5,285,748 A \* 2/1994 Weldin ..... A01K 39/0113  
119/57.9
- D374,195 S \* 10/1996 Wright ..... D11/130.1  
(Continued)

*Primary Examiner* — Susan Moon Lee  
(74) *Attorney, Agent, or Firm* — Polsinelli P.C.

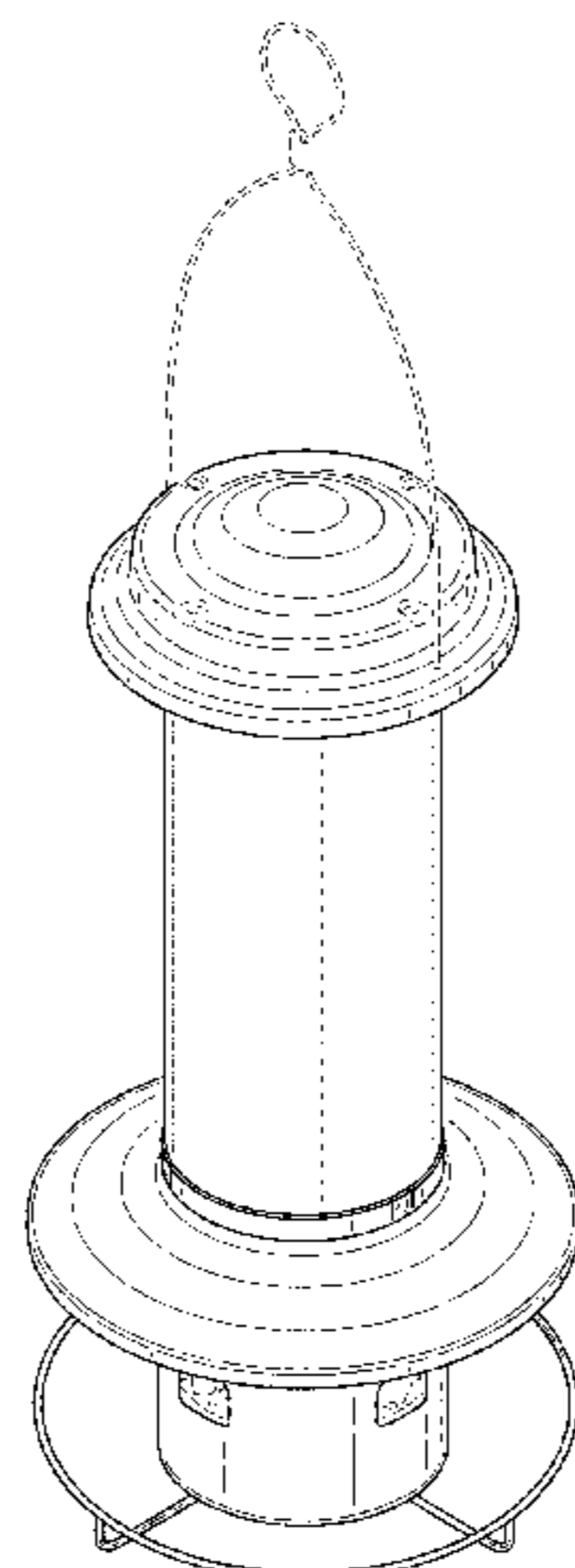
(57) **CLAIM**

The ornamental design for a bird feeder, as shown and described.

**DESCRIPTION**

FIG. 1 is an isometric view of a bird feeder showing our new design.  
FIG. 2 is a bottom perspective view thereof.  
FIG. 3 is a front view thereof.  
FIG. 4 is a back view thereof.  
FIG. 5 is a right side view thereof.  
FIG. 6 is a left side view thereof.  
FIG. 7 is a top view thereof; and,  
FIG. 8 is a bottom view thereof.  
The broken lines shown in the Figures illustrate portions of the bird feeder that form no part of the claimed design. The shade lines in the Figures show contour and do not claim surface ornamentation or treatment.

**1 Claim, 8 Drawing Sheets**



(56)

References Cited

U.S. PATENT DOCUMENTS

D386,835 S \* 11/1997 Passamare ..... D30/124  
 5,829,383 A \* 11/1998 Blanding ..... A01K 39/0113  
 119/52.3  
 5,904,330 A 5/1999 Manico  
 6,119,627 A \* 9/2000 Banyas ..... A01K 39/0113  
 119/52.3  
 6,318,290 B1 \* 11/2001 Fisher ..... A01K 39/0113  
 119/51.5  
 6,539,892 B1 \* 4/2003 Bescherer ..... A01K 39/0113  
 119/52.1  
 6,543,384 B2 \* 4/2003 Cote ..... A01K 39/0113  
 119/57.9  
 D488,590 S \* 4/2004 Fort, II ..... 119/51.01  
 D490,576 S \* 5/2004 Rich ..... D30/128  
 6,895,894 B2 \* 5/2005 Fort, II ..... A01K 39/012  
 119/51.01  
 6,918,353 B1 \* 7/2005 Coroneos ..... A01K 39/0113  
 119/52.3  
 6,945,192 B2 \* 9/2005 Cote ..... A01K 39/0113  
 119/57.9  
 D524,902 S \* 7/2006 Masters ..... D22/122  
 7,219,621 B2 \* 5/2007 Coroneos ..... A01K 39/0113  
 119/51.01  
 7,234,416 B2 \* 6/2007 Hoff ..... A01K 39/0113  
 119/52.2  
 7,258,075 B1 \* 8/2007 Jones ..... A01K 39/0113  
 119/57.9  
 7,275,500 B2 \* 10/2007 Fort, II ..... A01K 39/012  
 119/53  
 D571,056 S \* 6/2008 Bloedorn ..... D30/127  
 D572,866 S \* 7/2008 Bloedorn ..... D30/127  
 7,610,875 B2 \* 11/2009 Webber ..... A01K 39/0113  
 119/57.8  
 7,669,553 B2 \* 3/2010 White ..... A01K 39/012  
 119/450  
 7,721,676 B2 \* 5/2010 Bloedorn ..... A01K 39/012  
 119/57.8  
 D646,027 S \* 9/2011 Colwell ..... D30/124  
 8,191,508 B2 \* 6/2012 Greenwood ..... A01K 39/012  
 119/52.2  
 D663,079 S \* 7/2012 Greenwood ..... A01K 39/012  
 D30/128  
 8,230,809 B2 \* 7/2012 Cote ..... A01K 39/0113  
 119/52.3  
 D692,191 S \* 10/2013 Stephens ..... D30/127  
 8,931,434 B2 \* 1/2015 Tu ..... A01K 39/01  
 119/51.01  
 D745,227 S \* 12/2015 Thorn ..... D30/127  
 9,282,726 B2 \* 3/2016 Cote ..... A01K 39/0113  
 9,320,263 B2 \* 4/2016 Cote ..... A01K 39/012  
 9,526,232 B2 \* 12/2016 Cote ..... A01K 39/0113  
 9,609,852 B2 \* 4/2017 Cote ..... A01K 39/0113  
 D811,013 S \* 2/2018 Thorn ..... D30/127  
 D811,014 S \* 2/2018 Thorn ..... D30/127

D817,556 S \* 5/2018 Thorn ..... D30/127  
 10,119,652 B2 \* 11/2018 Cote ..... A45F 3/44  
 10,212,921 B1 2/2019 Plemmons  
 D851,842 S \* 6/2019 Nifong ..... D30/127  
 10,314,294 B2 \* 6/2019 Thorn ..... A01K 39/0113  
 D867,679 S \* 11/2019 Nifong ..... D30/127  
 2002/0139311 A1 \* 10/2002 Cote ..... A01K 39/0113  
 119/57.9  
 2003/0226514 A1 \* 12/2003 Cote ..... A01K 39/0113  
 119/57.9  
 2004/0134436 A1 \* 7/2004 Fort, II ..... A01K 39/012  
 119/57.8  
 2005/0005865 A1 \* 1/2005 Rich ..... A01K 39/012  
 119/52.2  
 2005/0263083 A1 \* 12/2005 Coroneos ..... A01K 39/0113  
 119/57.1  
 2006/0207512 A1 \* 9/2006 Fort, II ..... A01K 39/012  
 119/57.8  
 2006/0266295 A1 \* 11/2006 McDarren ..... A01K 39/014  
 119/57.8  
 2006/0288944 A1 \* 12/2006 Hoff ..... A01K 39/0113  
 119/57.9  
 2007/0006812 A1 \* 1/2007 White ..... A01K 39/012  
 119/57.8  
 2008/0156269 A1 \* 7/2008 Greenwood ..... A01K 39/0106  
 119/51.01  
 2009/0260576 A1 \* 10/2009 Vosbikian ..... A01K 39/012  
 119/52.2  
 2011/0083609 A1 \* 4/2011 Cote ..... A01K 39/012  
 119/52.2  
 2011/0083610 A1 \* 4/2011 Cote ..... A01K 39/0113  
 119/52.3  
 2011/0100299 A1 \* 5/2011 Colwell ..... A01K 31/12  
 119/52.2  
 2012/0111278 A1 \* 5/2012 Greenwood ..... A01K 39/0106  
 119/52.2  
 2012/0234249 A1 \* 9/2012 Gaze ..... A01K 39/012  
 119/57.8  
 2015/0144065 A1 \* 5/2015 Chen ..... A01K 39/0106  
 119/51.03  
 2015/0296750 A1 \* 10/2015 Cote ..... A01K 39/012  
 119/57.8  
 2015/0366168 A1 \* 12/2015 Cote ..... A01K 39/0113  
 119/52.2  
 2016/0156989 A1 6/2016 Lovett  
 2016/0366319 A1 12/2016 Perkins  
 2017/0172112 A1 \* 6/2017 Thorn ..... A01K 39/012  
 2017/0191284 A1 \* 7/2017 Cote ..... A45F 3/44  
 2017/0339927 A1 \* 11/2017 Cote ..... A01K 39/012  
 2019/0159432 A1 \* 5/2019 Bruno ..... A01K 39/0113  
 2019/0269104 A1 \* 9/2019 Cole ..... A01K 39/012  
 2019/0269105 A1 \* 9/2019 Cote ..... A01K 39/012  
 2019/0313608 A1 \* 10/2019 Cote ..... A01K 39/012  
 2019/0327942 A1 \* 10/2019 Chi ..... A01K 39/0113  
 2019/0364852 A1 \* 12/2019 Cote ..... A01K 39/012

\* cited by examiner

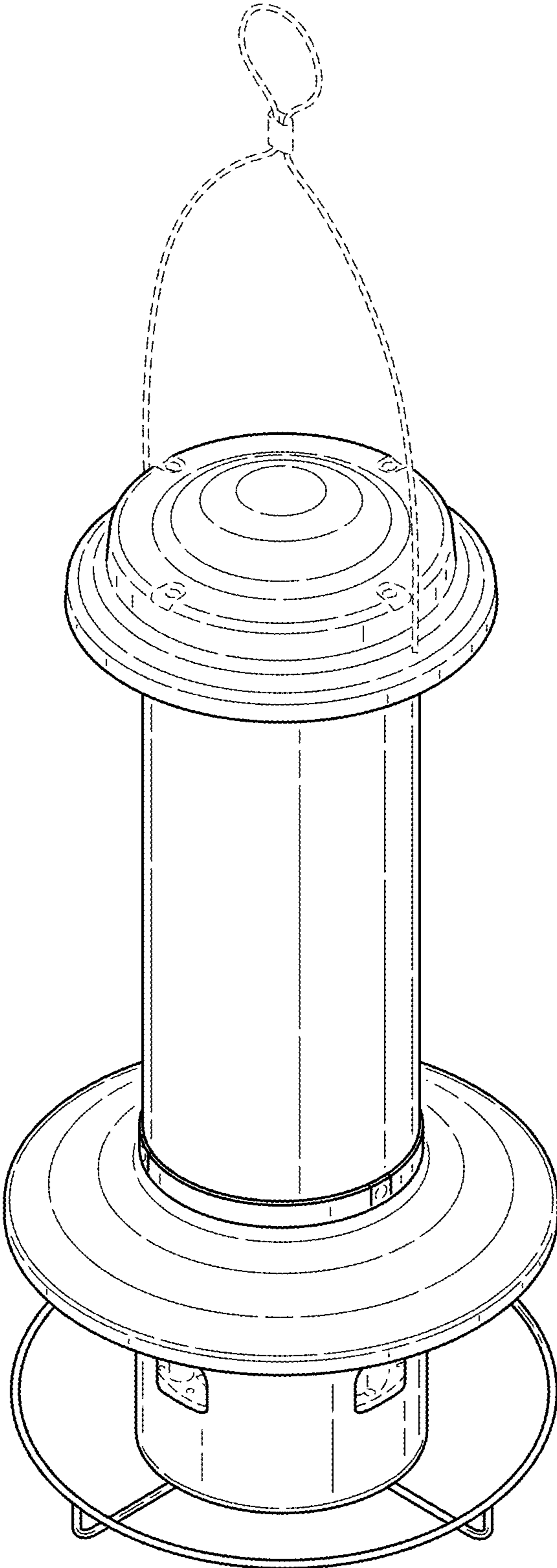


FIG.1

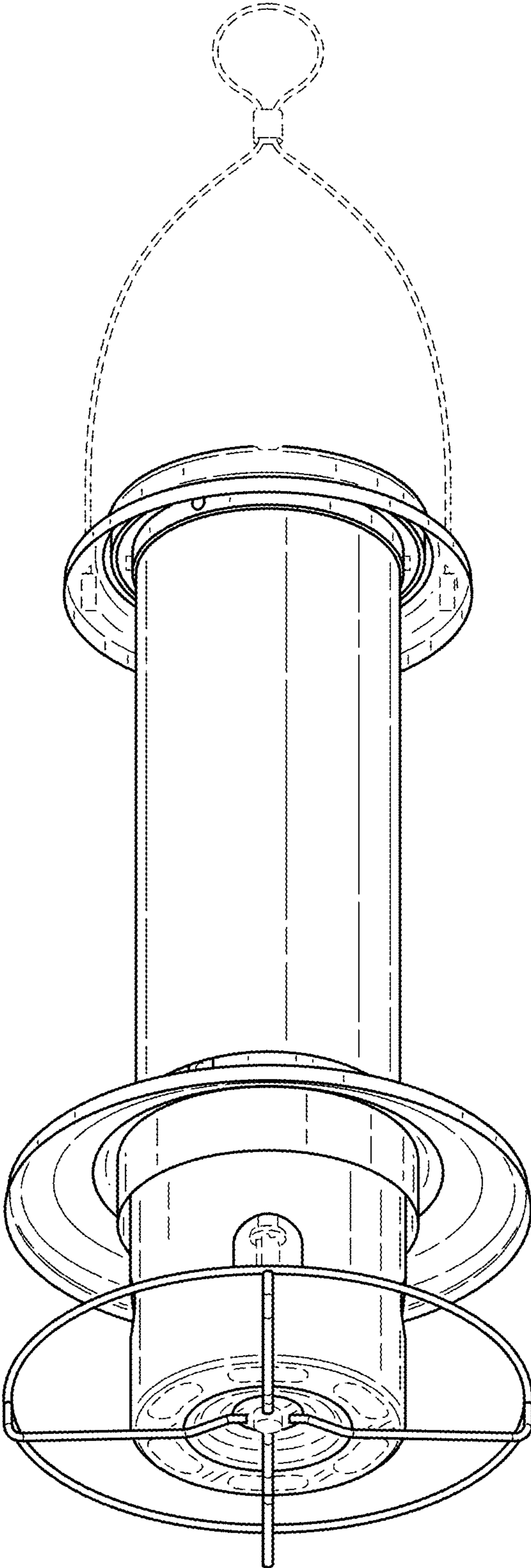


FIG.2

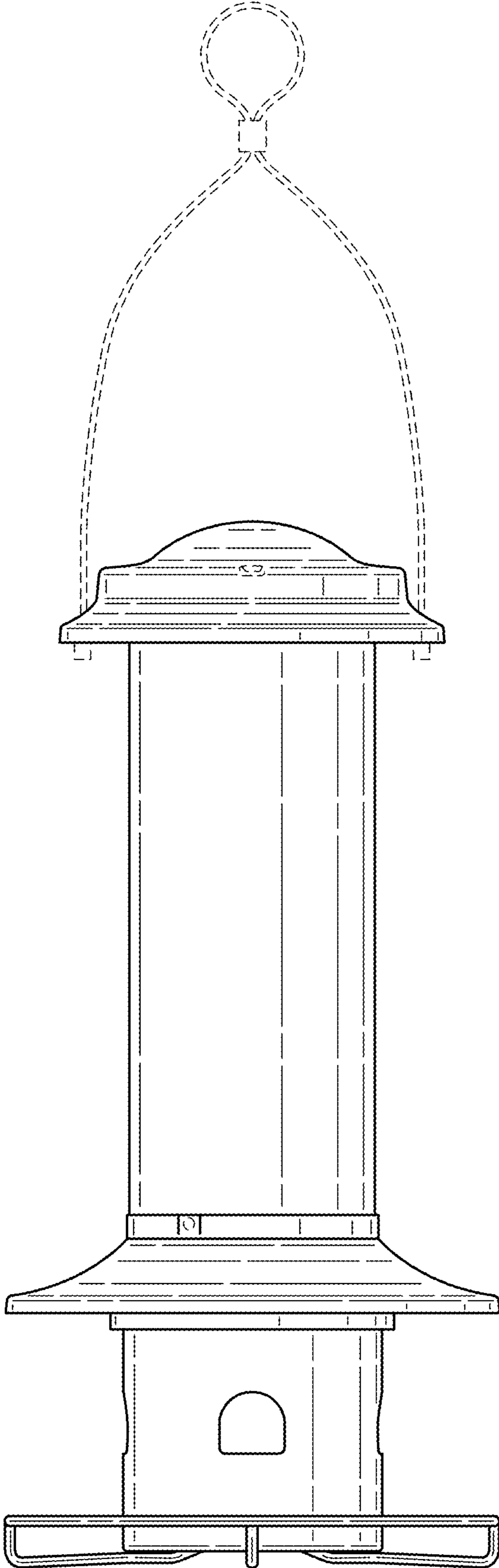


FIG.3

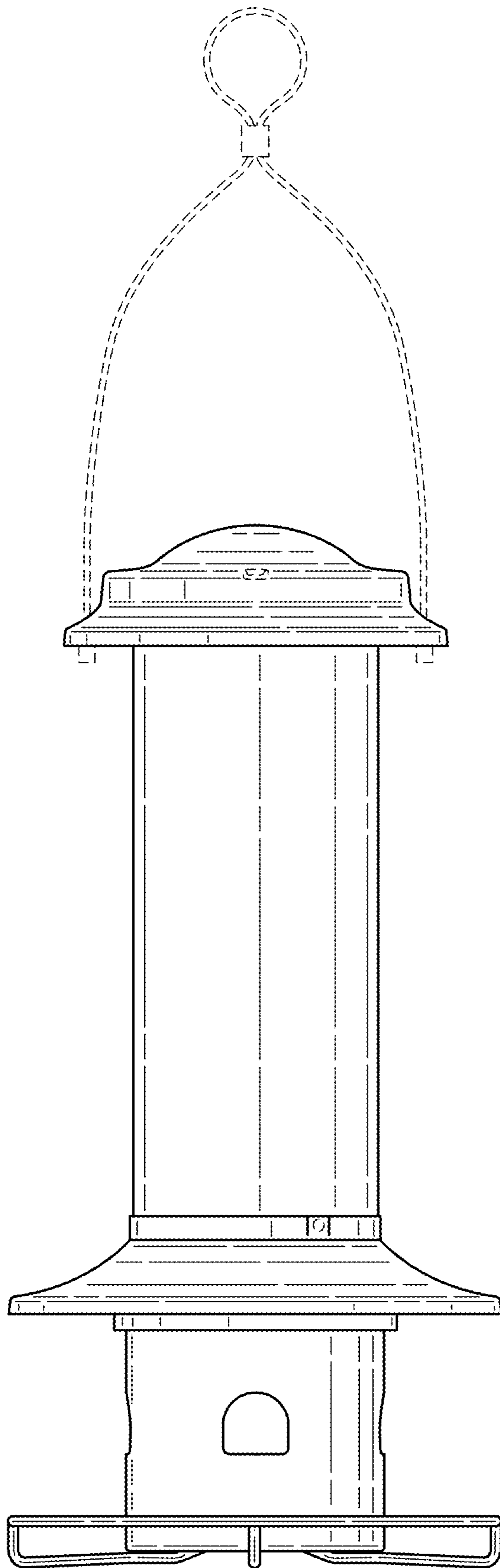


FIG. 4

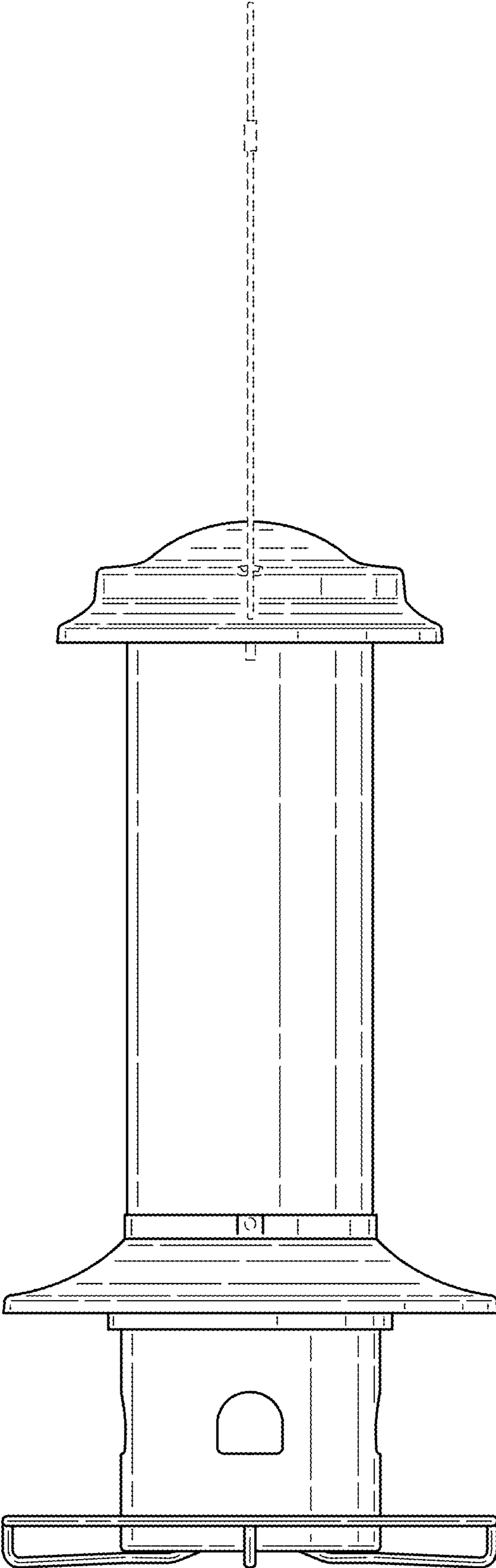


FIG.5

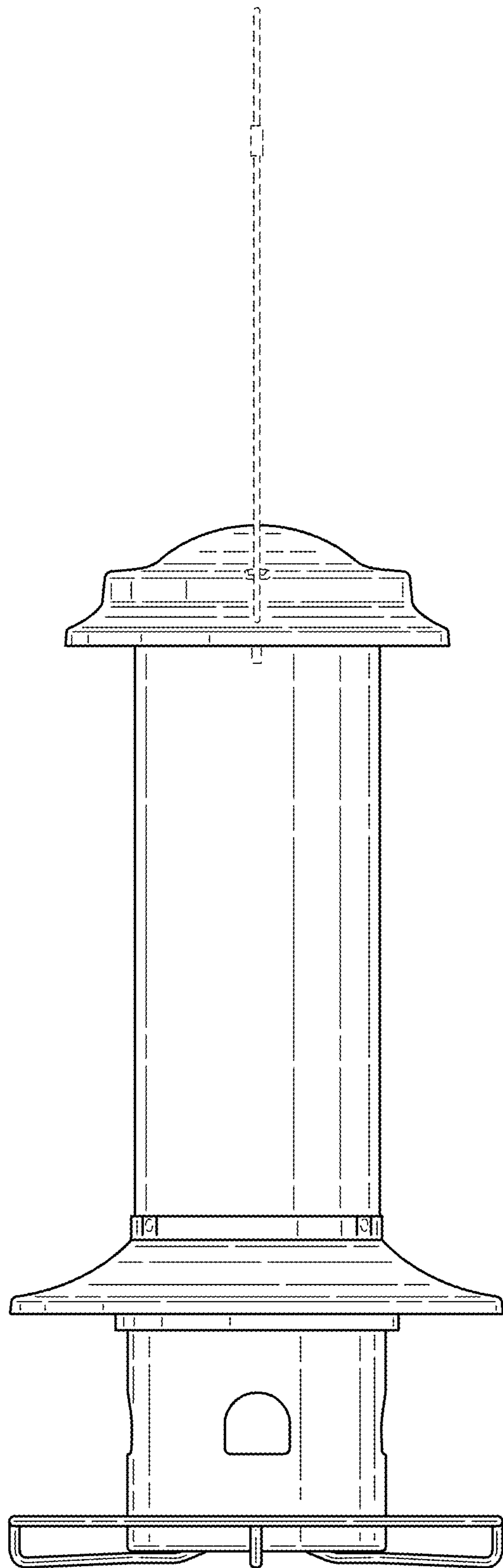


FIG.6



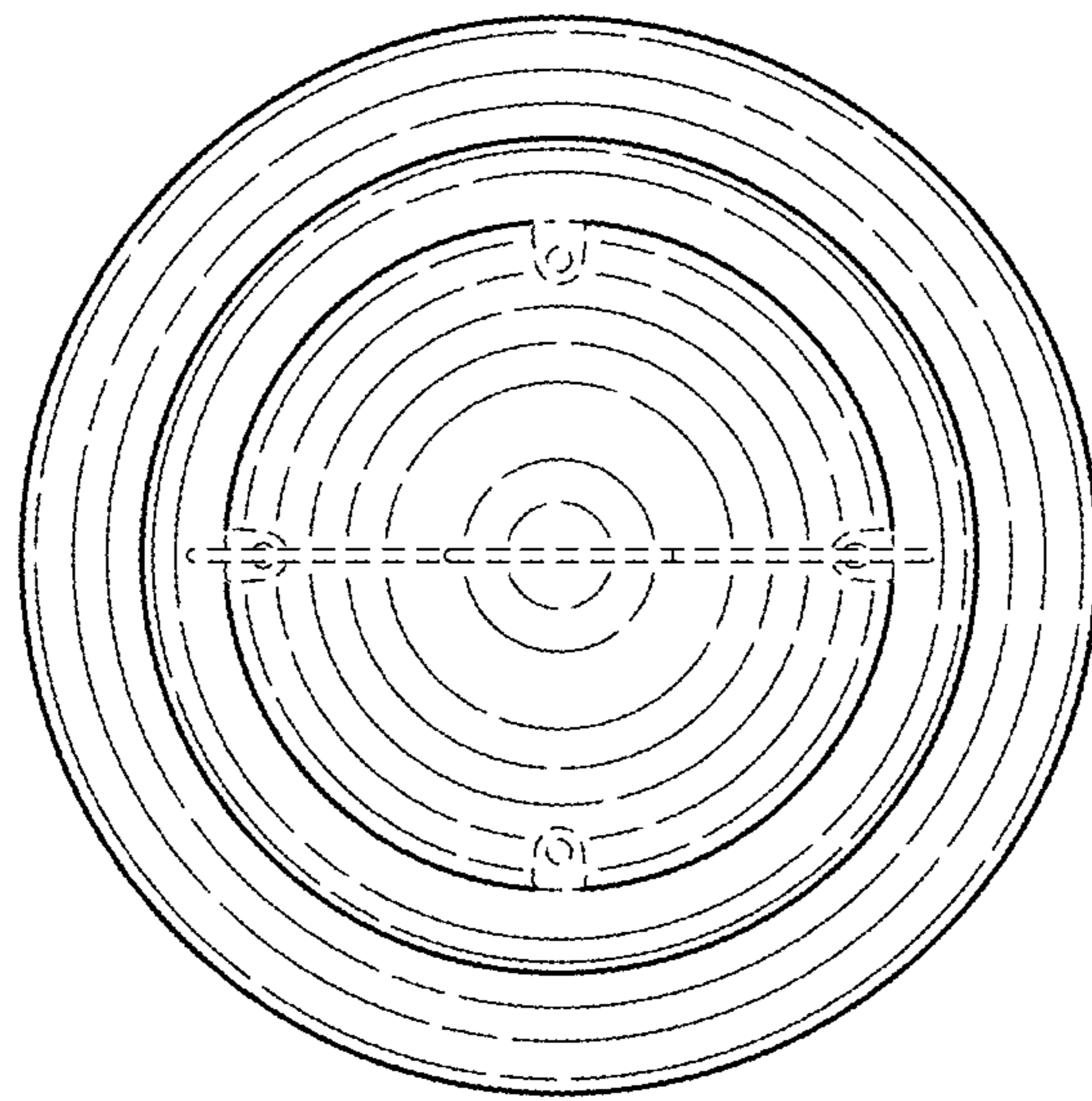


FIG.7

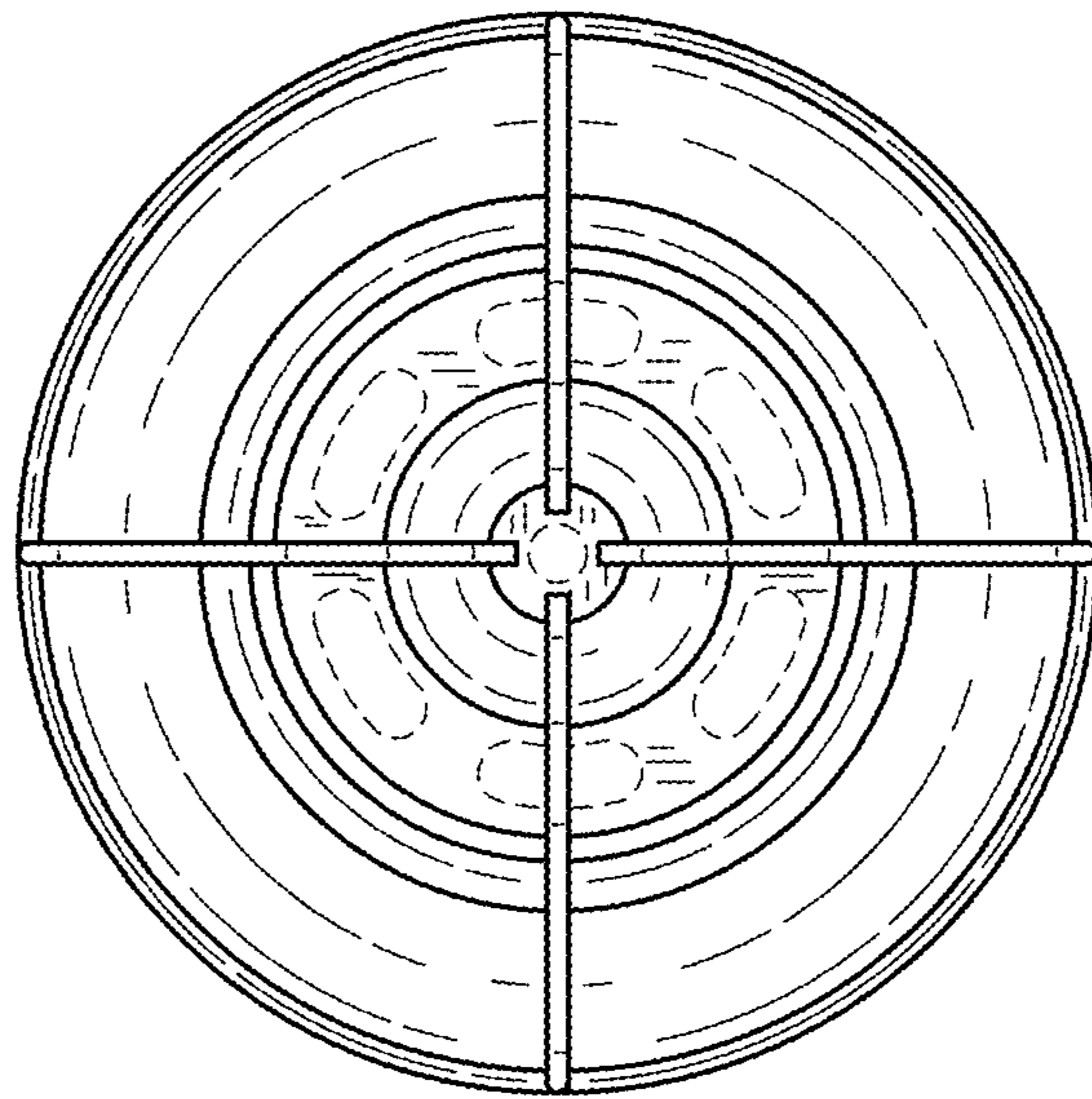


FIG.8