



US00D889050S

(12) **United States Design Patent**
Combs et al.

(10) **Patent No.: US D889,050 S**
(45) **Date of Patent: ** Jun. 30, 2020**

- (54) **BIRD FEEDER**
- (71) Applicant: **Classic Brands, LLC**, Denver, CO (US)
- (72) Inventors: **Stephen Combs**, Denver, CO (US);
Lindsey Nifong, Denver, CO (US);
Robert Donegan, Denver, CO (US);
John Bruno, Parker, CO (US); **Bryan Krueger**, Denver, CO (US)
- (73) Assignee: **CLASSIC BRANDS, LLC**, Denver, CO (US)
- (**) Term: **15 Years**
- (21) Appl. No.: **29/698,021**
- (22) Filed: **Jul. 12, 2019**
- (51) **LOC (12) Cl. 30-03**
- (52) **U.S. Cl.**
USPC **D30/127**
- (58) **Field of Classification Search**
USPC D30/121, 124, 126–129, 133, 199,
D30/110–112, 123, 125; 119/52.2, 51.5,
119/61.5, 57.8, 57.9, 52.3, 61.1, 531, 63,
119/428–435, 52.4, 55, 61.3, 69.5, 75, 76;
47/67, 83; 248/318; D11/164, 152;
211/128.1; D27/123; D6/495, 460, 461,
D6/476, 405
CPC A01K 39/00; A01K 39/01; A01K 39/0113;
A01K 39/012; A01K 39/06; A01K
5/0225; A01K 5/00
See application file for complete search history.

- 4,712,512 A * 12/1987 Schreib A01K 39/0113
119/52.2
- 5,269,242 A * 12/1993 Toldi A01K 39/012
119/52.2
- 5,285,748 A * 2/1994 Weldin A01K 39/0113
119/57.9
- D386,835 S * 11/1997 Passamare D30/124
- 5,829,383 A * 11/1998 Blanding A01K 39/0113
119/52.3
- 6,318,290 B1 * 11/2001 Fisher A01K 39/0113
119/51.5
- 6,539,892 B1 * 4/2003 Bescherer A01K 39/0113
119/52.1
- 6,543,384 B2 * 4/2003 Cote A01K 39/0113
119/57.9
- 6,591,781 B2 * 7/2003 Hardison A01K 39/00
119/52.3
- D490,576 S * 5/2004 Rich D30/128
(Continued)

Primary Examiner — Susan Moon Lee
(74) *Attorney, Agent, or Firm* — Polsinelli P.C.

(57) **CLAIM**

The ornamental design for a bird feeder, as shown and described.

DESCRIPTION

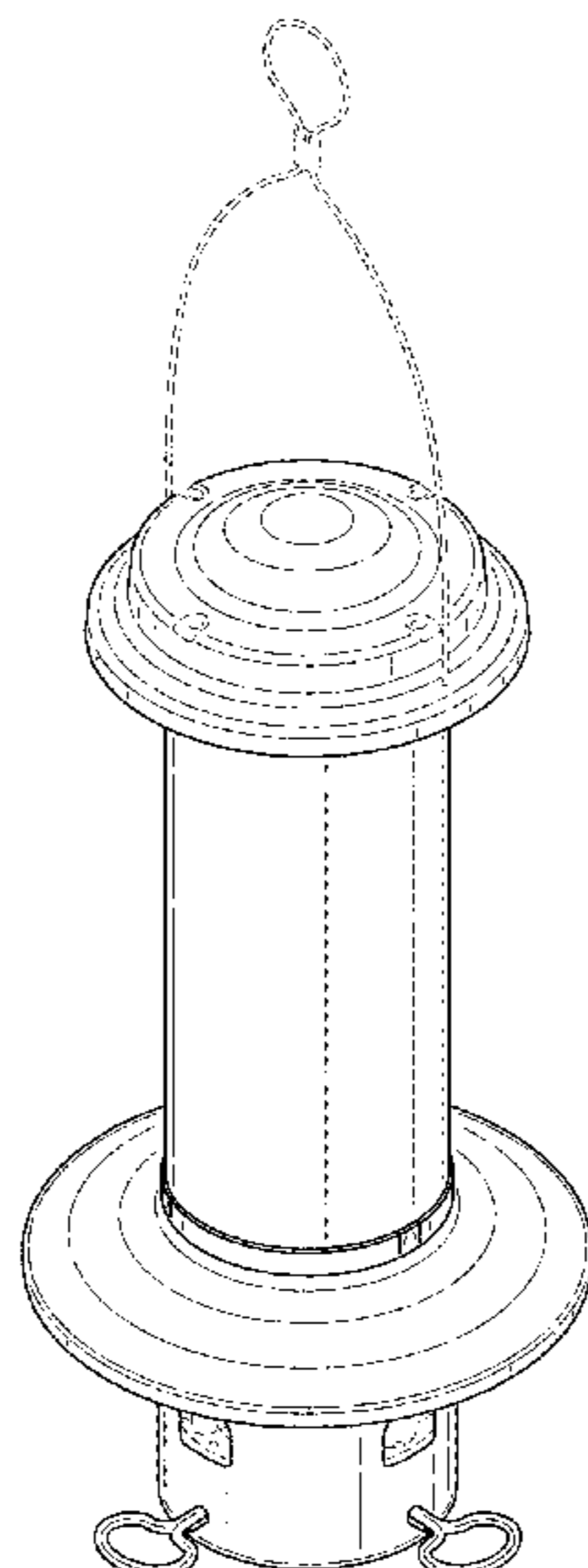
FIG. 1 is an isometric view of a bird feeder showing our new design;
FIG. 2 is a bottom perspective view of the bird feeder;
FIG. 3 is a front elevational view of the bird feeder;
FIG. 4 is a back view of the bird feeder;
FIG. 5 is a right side view of the bird feeder;
FIG. 6 is a left side view of the bird feeder;
FIG. 7 is a top view of the bird feeder; and,
FIG. 8 is a bottom view of the bird feeder.
The broken lines shown in the Figures illustrate portions of the bird feeder that form no part of the claimed design. The shade lines in the Figures show contour and do not claim surface ornamentation or treatment.

1 Claim, 8 Drawing Sheets

(56) **References Cited**

U.S. PATENT DOCUMENTS

- 3,051,126 A * 8/1962 Merritt A01K 39/0113
119/52.4
- 4,144,842 A * 3/1979 Schlising A01K 39/0113
119/52.3



(56)

References Cited

U.S. PATENT DOCUMENTS

6,895,894 B2 *	5/2005	Fort, II	A01K 39/012	119/51.01	2005/0005865 A1 *	1/2005	Rich	A01K 39/012	119/52.2
6,945,192 B2 *	9/2005	Cote	A01K 39/0113	119/57.9	2005/0263083 A1 *	12/2005	Coroneos	A01K 39/0113	119/57.1
D524,902 S *	7/2006	Masters	D22/122		2006/0266295 A1 *	11/2006	McDarren	A01K 39/014	119/57.8
7,234,416 B2 *	6/2007	Hoff	A01K 39/0113	119/52.2	2006/0288944 A1 *	12/2006	Hoff	A01K 39/0113	119/57.9
7,258,075 B1 *	8/2007	Jones	A01K 39/0113	119/57.9	2008/0295777 A1 *	12/2008	Cote	A01K 39/0113	119/52.3
D571,056 S *	6/2008	Bloedorn	D30/127		2009/0260576 A1 *	10/2009	Vosbikian	A01K 39/012	119/52.2
D572,866 S *	7/2008	Bloedorn	D30/127		2010/0288201 A1 *	11/2010	Lush	A01K 39/0113	119/52.4
7,721,676 B2 *	5/2010	Bloedorn	A01K 39/012	119/57.8	2011/0083609 A1 *	4/2011	Cote	A01K 39/012	119/52.2
8,434,425 B2 *	5/2013	Cote	A01K 39/012	119/52.3	2011/0083610 A1 *	4/2011	Cote	A01K 39/0113	119/52.3
8,485,130 B2 *	7/2013	Cote	A01K 39/012	119/57.8	2012/0234249 A1 *	9/2012	Gaze	A01K 39/012	119/57.8
D692,191 S *	10/2013	Stephens	D30/127		2015/0136032 A1 *	5/2015	Cote	A01K 39/012	119/57.8
9,192,146 B2 *	11/2015	Trogdon	A01K 39/012		2015/0144065 A1 *	5/2015	Chen	A01K 39/0106	119/51.03
D745,227 S *	12/2015	Thorn	D30/127		2015/0296750 A1 *	10/2015	Cote	A01K 39/012	119/57.8
9,282,726 B2 *	3/2016	Cote	A01K 39/0113		2016/0366319 A1 *	12/2016	Perkins	H04N 5/23206	
9,320,263 B2 *	4/2016	Cote	A01K 39/012		2017/0172112 A1 *	6/2017	Thorn	A01K 39/012	
9,526,232 B2 *	12/2016	Cote	A01K 39/0113		2017/0191284 A1 *	7/2017	Cote	A45F 3/44	
D811,013 S *	2/2018	Thorn	D30/127		2019/0159432 A1 *	5/2019	Bruno	A01K 39/0113	
D811,014 S *	2/2018	Thorn	D30/127		2019/0166804 A1 *	6/2019	Bartholow	A01K 39/0113	
D817,556 S *	5/2018	Thorn	D30/127		2019/0269104 A1 *	9/2019	Cole	A01K 39/012	
10,119,652 B2 *	11/2018	Cote	A45F 3/44		2019/0269105 A1 *	9/2019	Cote	A01K 39/012	
D851,842 S *	6/2019	Nifong	D30/127		2019/0274287 A1 *	9/2019	Combs	F16C 11/04	
10,314,294 B2 *	6/2019	Thorn	A01K 39/0113		2019/0313608 A1 *	10/2019	Cote	A01K 39/012	
D867,679 S *	11/2019	Nifong	D30/127		2019/0327942 A1 *	10/2019	Chi	A01K 39/0113	
2002/0139311 A1 *	10/2002	Cote	A01K 39/0113	119/57.9	2019/0364852 A1 *	12/2019	Cote	A01K 39/012	
2003/0033985 A1 *	2/2003	Hardison	A01K 39/00	119/57.9					
2003/0226514 A1 *	12/2003	Cote	A01K 39/0113	119/57.9					

* cited by examiner

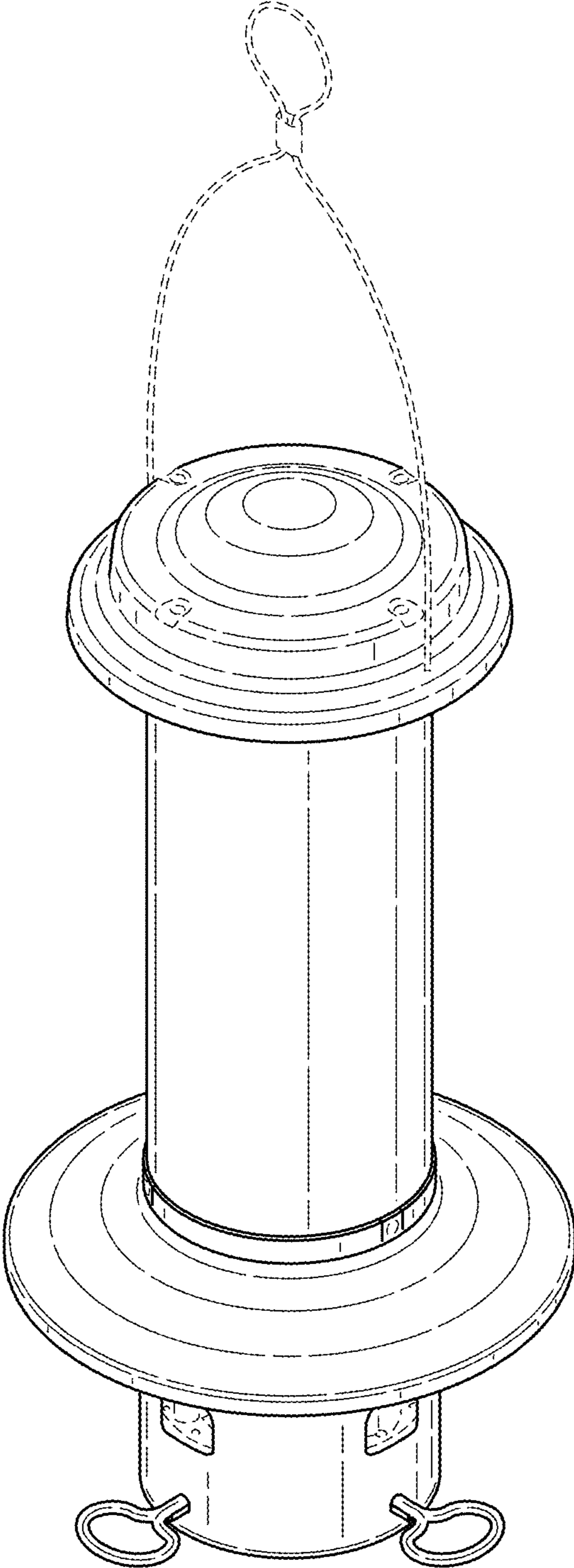


FIG.1

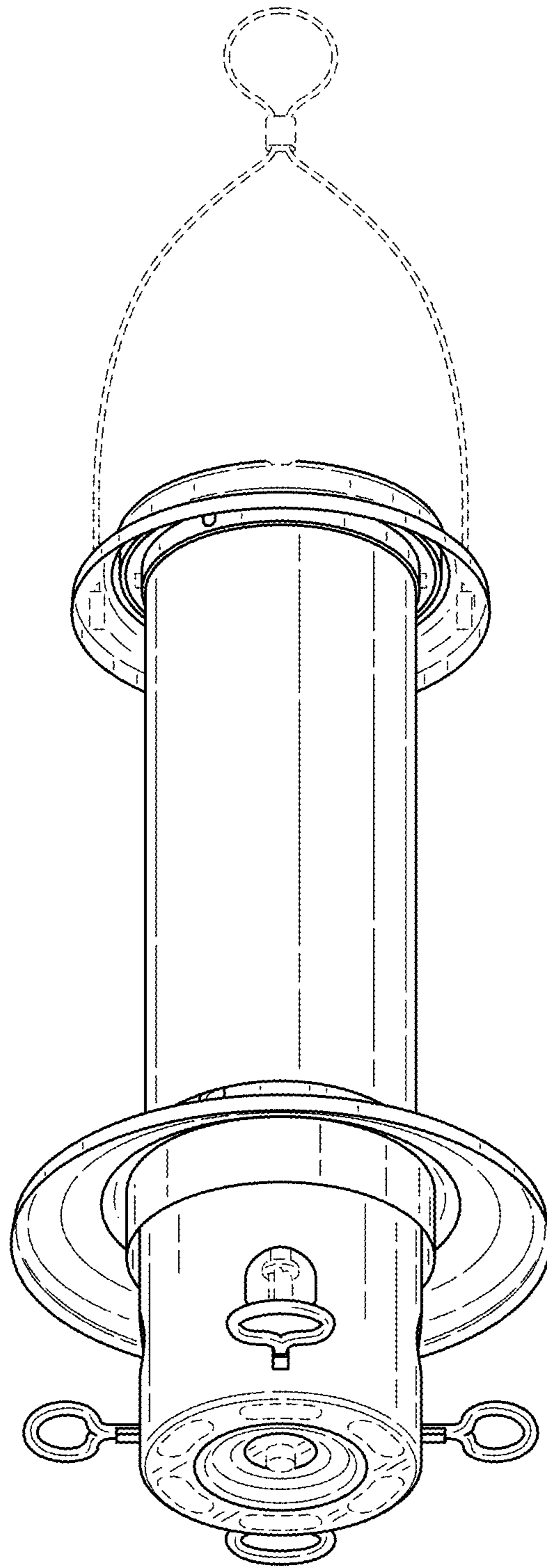


FIG.2

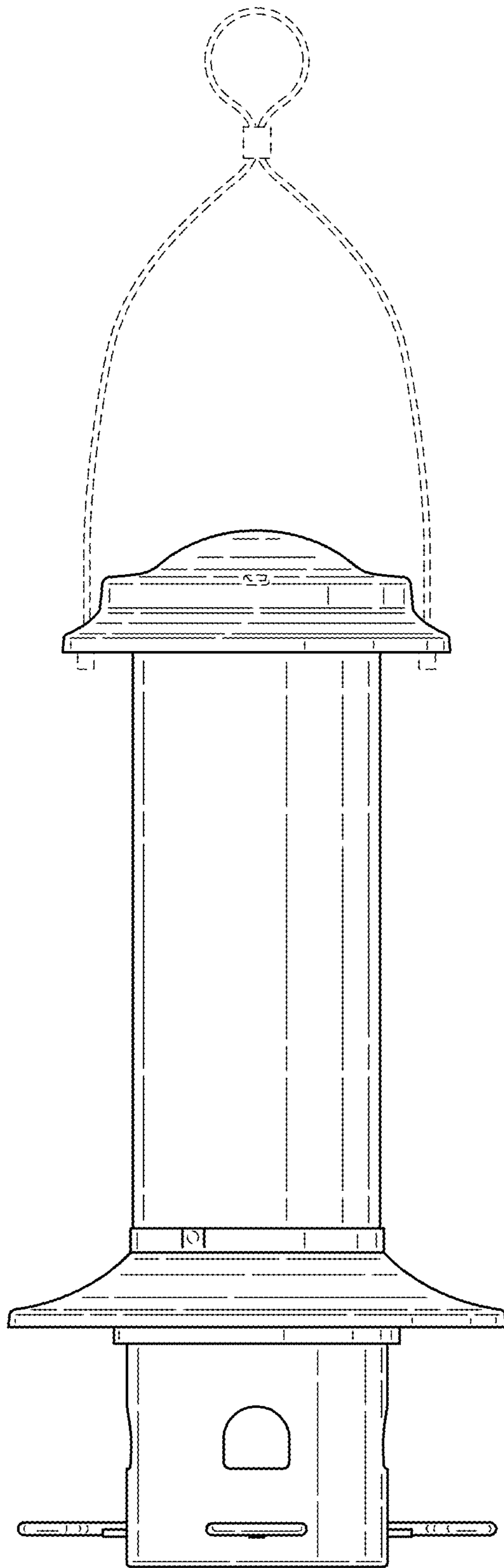


FIG. 3

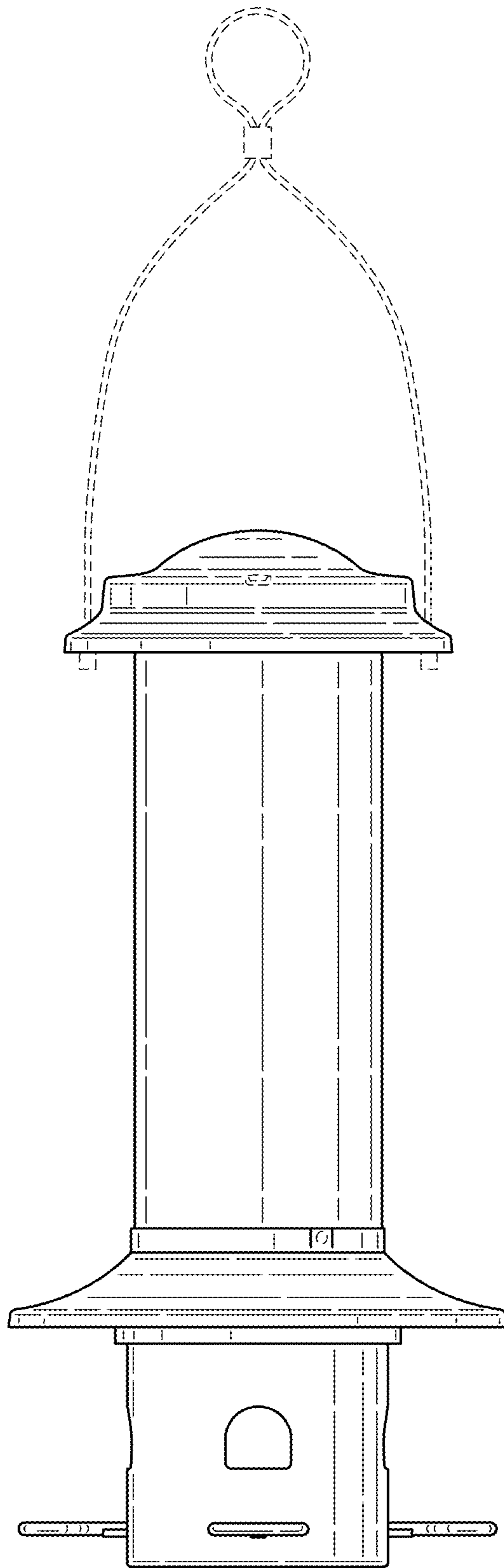


FIG. 4

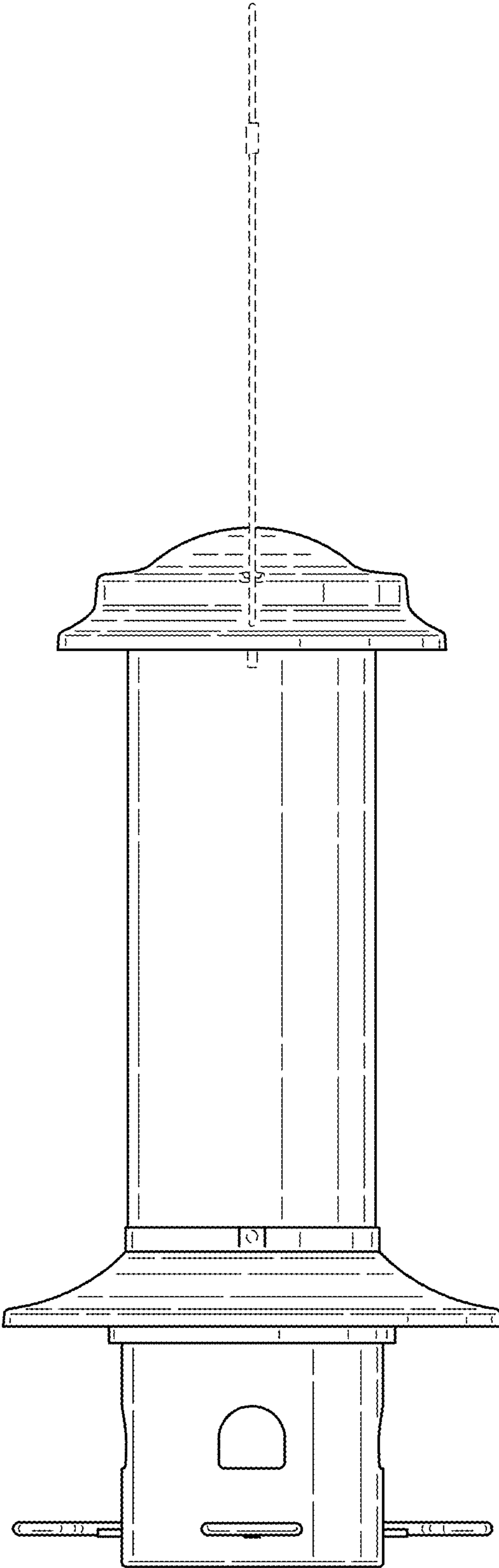


FIG.5

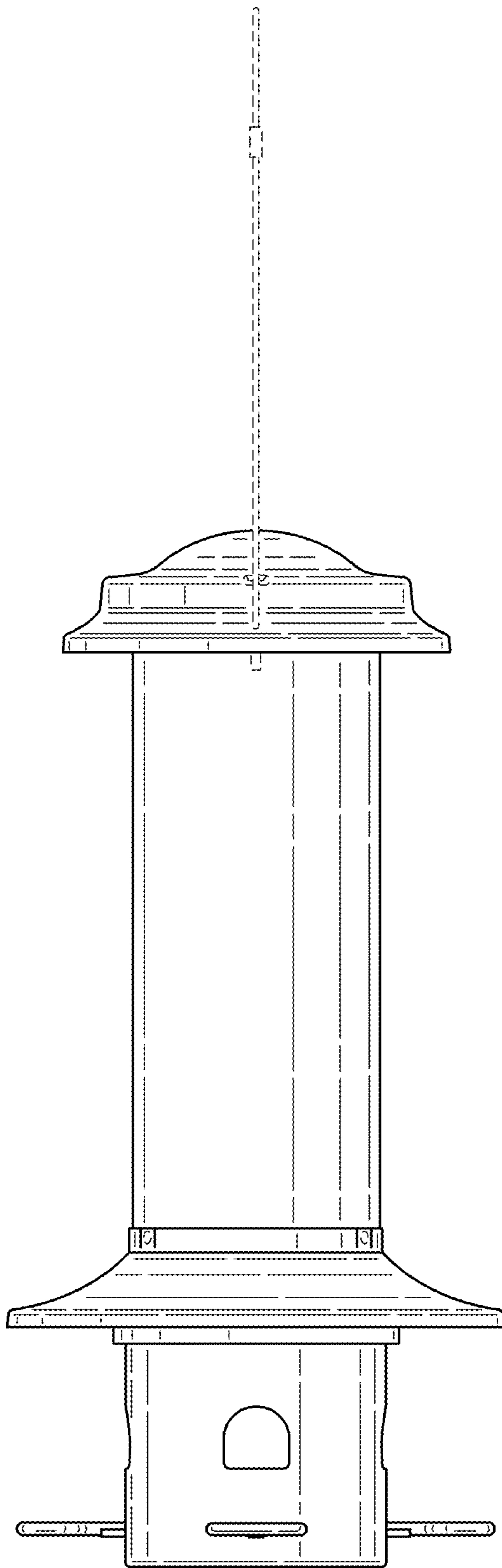


FIG.6

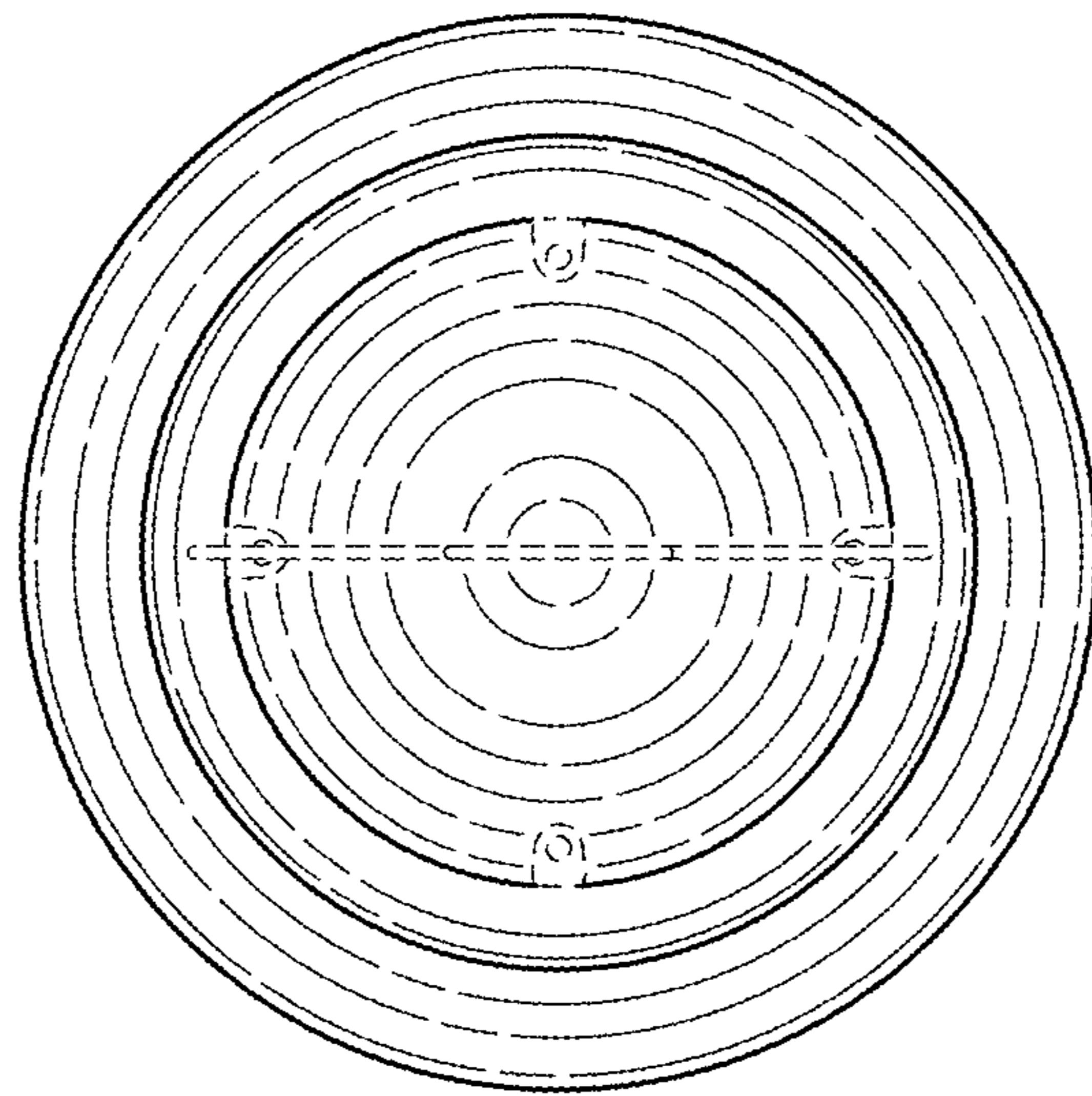


FIG.7

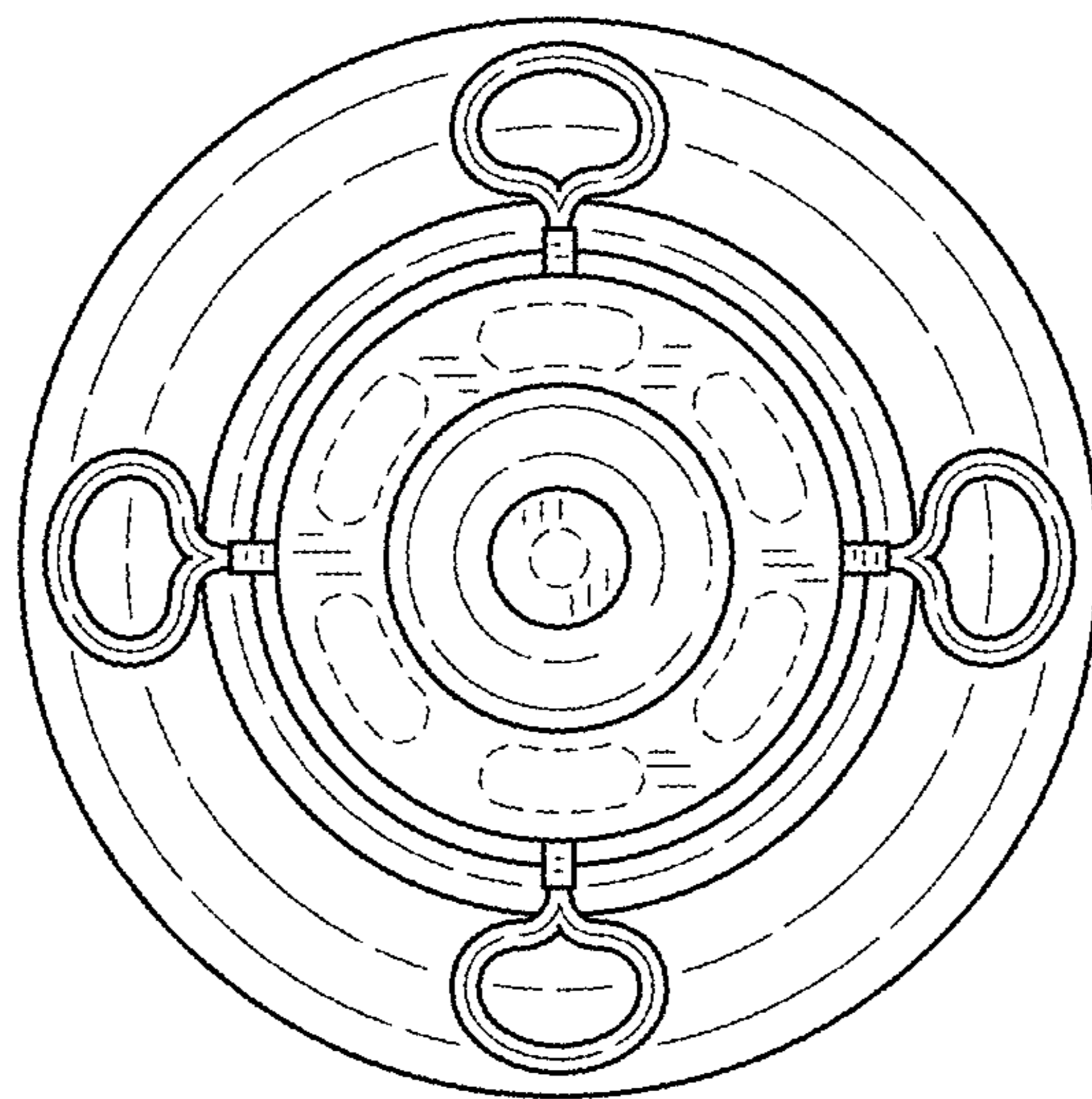


FIG.8