



US00D889049S

(12) **United States Design Patent**  
**Chen et al.**

(10) **Patent No.:** **US D889,049 S**  
(45) **Date of Patent:** **\*\* Jun. 30, 2020**

(54) **PET BOWL**

(71) Applicant: **Dogness Group LLC**, Plano, TX (US)

(72) Inventors: **Silong Chen**, Dongguan (CN); **Yunhao Chen**, Plano, TX (US)

(\*\*) Term: **15 Years**

(21) Appl. No.: **29/685,162**

(22) Filed: **Mar. 27, 2019**

(30) **Foreign Application Priority Data**

Jan. 24, 2019 (CN) ..... 2019 3 0040695

(51) **LOC (12) Cl.** ..... **30-03**

(52) **U.S. Cl.**  
USPC ..... **D30/122; D30/129**

(58) **Field of Classification Search**  
USPC ..... D30/122, 133, 121, 128, 130, 132, 129;  
119/52.1, 55, 61.5-61.56, 51.01, 51.03,  
119/59, 62, 63, 51.5, 57.8, 53, 53.5, 75,  
119/56.2, 51.02, 51.11, 51.12, 57.1, 74,  
119/515; D6/480-485; 248/188, 151;  
312/204; 108/153.1-157; 220/23.87,  
220/630, 737, 743, 9.4, 495.01, 574, 212,  
220/255, 23.83; 206/515; D7/586, 543,  
D7/550.1, 587, 505, 584, 545, 500,  
D7/553.1-553.8, 546, 555, 556, 504, 565,  
D7/562, 602, 605, 312, 313, 320, 307,  
D7/306, 309, 354, 311, 399, 397, 323,  
D7/332, 331, 347, 34, 6, 322, 318, 317,  
D7/316, 619.1; D9/429; 43/109;  
D22/122; 99/430, DIG. 15, 280, 285,  
99/312; 222/209, 131, 363, 349, 517,  
222/153.13, 401, 1, 146.5, 23, 54, 64, 51,  
222/56, 399, 400.8; 219/438, 439, 441,  
219/385, 386, 402, 407; 210/94, 184,  
210/474, 477

CPC ..... A01K 5/02; A01K 5/0225; A01K 5/0266;  
A01K 5/0275; A01K 5/0283; A01K  
5/0291; A01K 5/0258; A01K 5/0114;  
A01K 5/01; A01K 5/0135; A01K 7/005;

A01K 7/00; A01K 7/02; A01K 5/0142;  
A01K 5/0121; A01K 5/0128; A01K  
27/004; A01K 39/014; A01K 39/00;  
A01K 39/02; A01K 39/0113; A47J  
43/0727; A47J 41/0033; A47J 41/005;  
A47J 41/0088; A47J 41/0094; A47J  
31/04; A47J 31/053; A01M 29/34; B29C  
65/48; B65D 81/36; G01F 11/24; G01F  
(Continued)

(56) **References Cited**

U.S. PATENT DOCUMENTS

3,137,272 A \* 6/1964 Lepper ..... A01K 5/0291  
119/51.12  
3,646,912 A \* 3/1972 Gardner ..... A01K 5/0291  
119/51.12

(Continued)

*Primary Examiner* — Susan Moon Lee  
(74) *Attorney, Agent, or Firm* — ZANIP

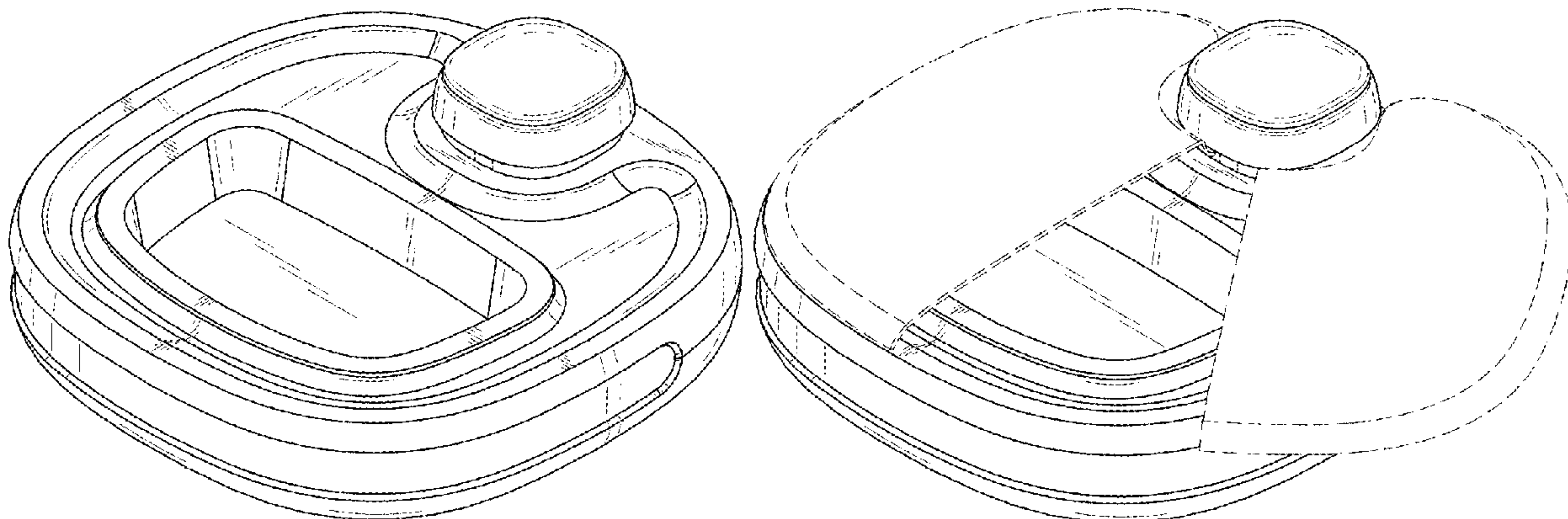
(57) **CLAIM**

The ornamental design for a pet bowl, as shown and described.

**DESCRIPTION**

FIG. 1 is a front elevation view of a pet bowl showing my new design;  
FIG. 2 is a rear elevation view thereof,  
FIG. 3 is a left side elevation view thereof;  
FIG. 4 is a right side elevation view thereof;  
FIG. 5 is a top plan view thereof;  
FIG. 6 is a bottom view thereof;  
FIG. 7 is a top perspective view thereof;  
FIG. 8 is a bottom perspective view thereof; and,  
FIG. 9 is an in-use perspective view of the pet bowl depicted in conjunction with exemplary cover components.  
The broken lines are for exemplary illustrative purposes only and form no part of the claimed design.

**1 Claim, 4 Drawing Sheets**



(58) **Field of Classification Search**  
 CPC ..... 23/02; B67D 1/0425; B67D 1/04; B67D  
 1/00; B67D 1/02; B67D 1/0871; B67D  
 1/0802; B05B 11/00; B05B 11/0002;  
 B05B 11/0005; B05B 11/001; C02F  
 1/003; C02F 1/283; C02F 2307/02  
 See application file for complete search history.

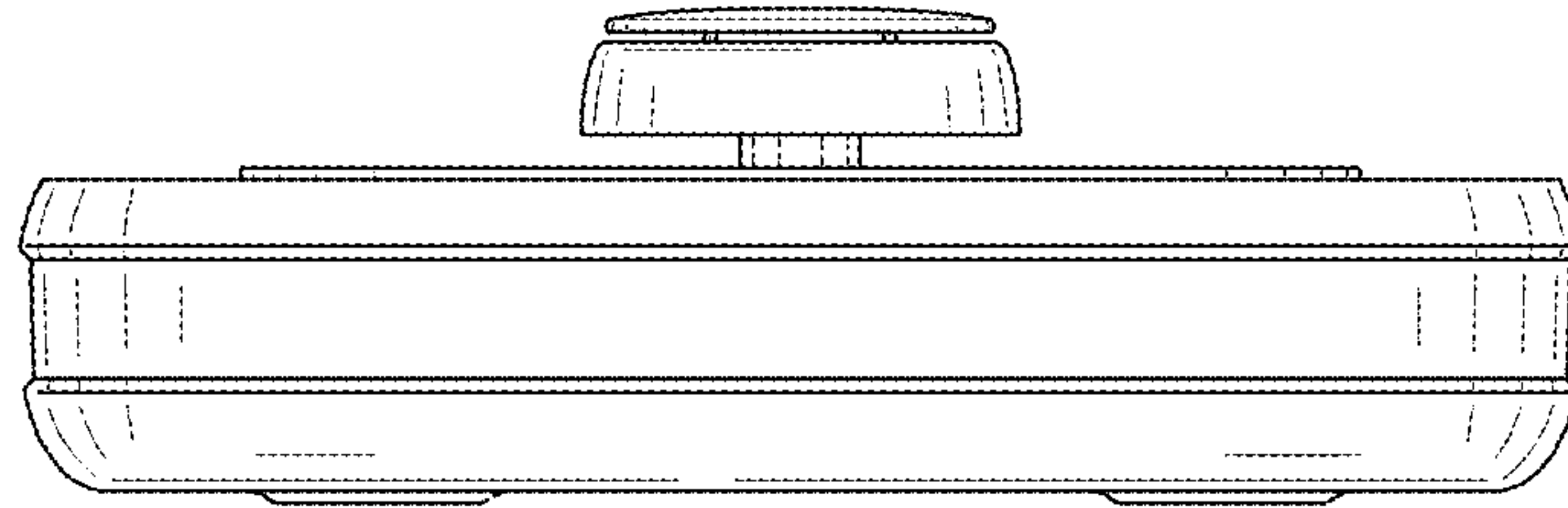
(56) **References Cited**

U.S. PATENT DOCUMENTS

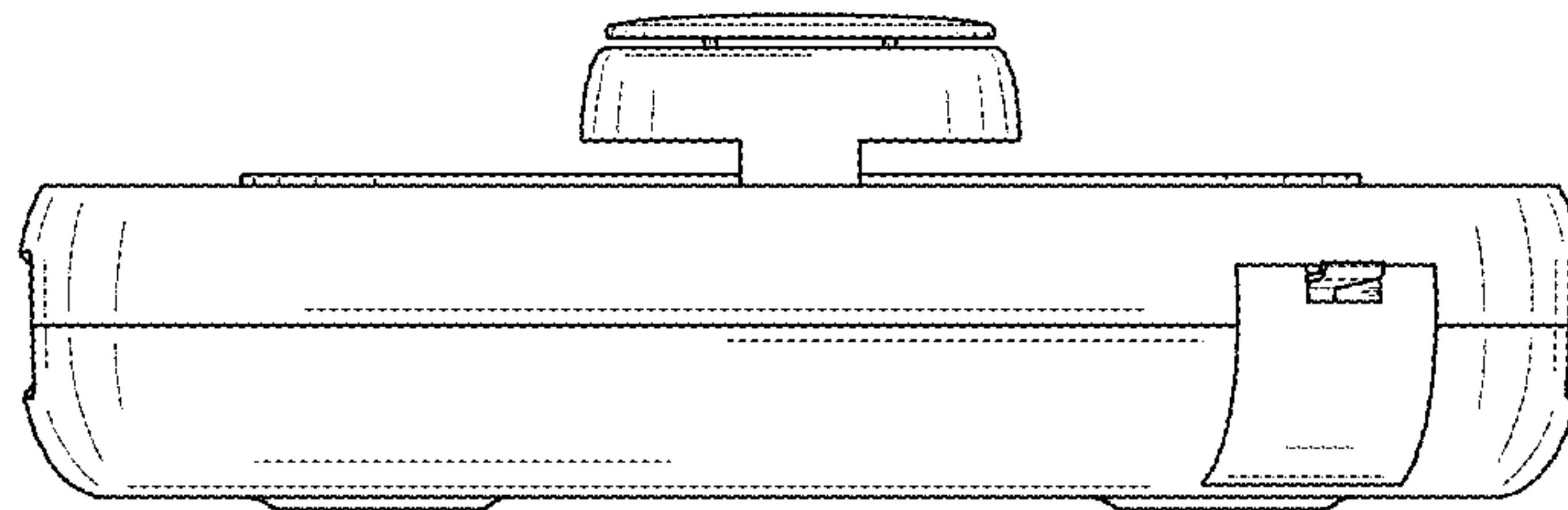
4,450,790 A \* 5/1984 Stansbury, Jr. .... A01K 5/0291  
 119/51.12  
 4,617,874 A \* 10/1986 Zammarano ..... A01K 5/0291  
 119/51.12  
 D506,854 S \* 6/2005 Baker ..... 119/51.01  
 D681,886 S \* 5/2013 Paschall ..... D30/129  
 D700,407 S \* 2/2014 Paschall ..... D30/129

8,800,488 B2 \* 8/2014 Stone ..... A01K 5/0114  
 119/51.01  
 D724,274 S \* 3/2015 Ylisassi ..... D30/122  
 D743,113 S \* 11/2015 Hill ..... D30/130  
 D752,826 S \* 3/2016 Gibbons ..... D30/132  
 D771,878 S \* 11/2016 Zhang ..... D30/129  
 D773,127 S \* 11/2016 Oates ..... D30/129  
 9,560,834 B2 \* 2/2017 Ma ..... A01K 5/0225  
 D785,874 S \* 5/2017 Ward ..... D30/122  
 D792,033 S \* 7/2017 Hill ..... D30/122  
 D833,087 S \* 11/2018 Nieves ..... D30/129  
 2005/0066905 A1 \* 3/2005 Morosin ..... A01K 5/0291  
 119/51.02  
 2014/0090601 A1 \* 4/2014 Stone ..... A01K 5/0114  
 119/51.01  
 2015/0145644 A1 \* 5/2015 Jalbert ..... A01K 11/006  
 340/5.61  
 2018/0192614 A1 \* 7/2018 Chen ..... A01K 5/0291

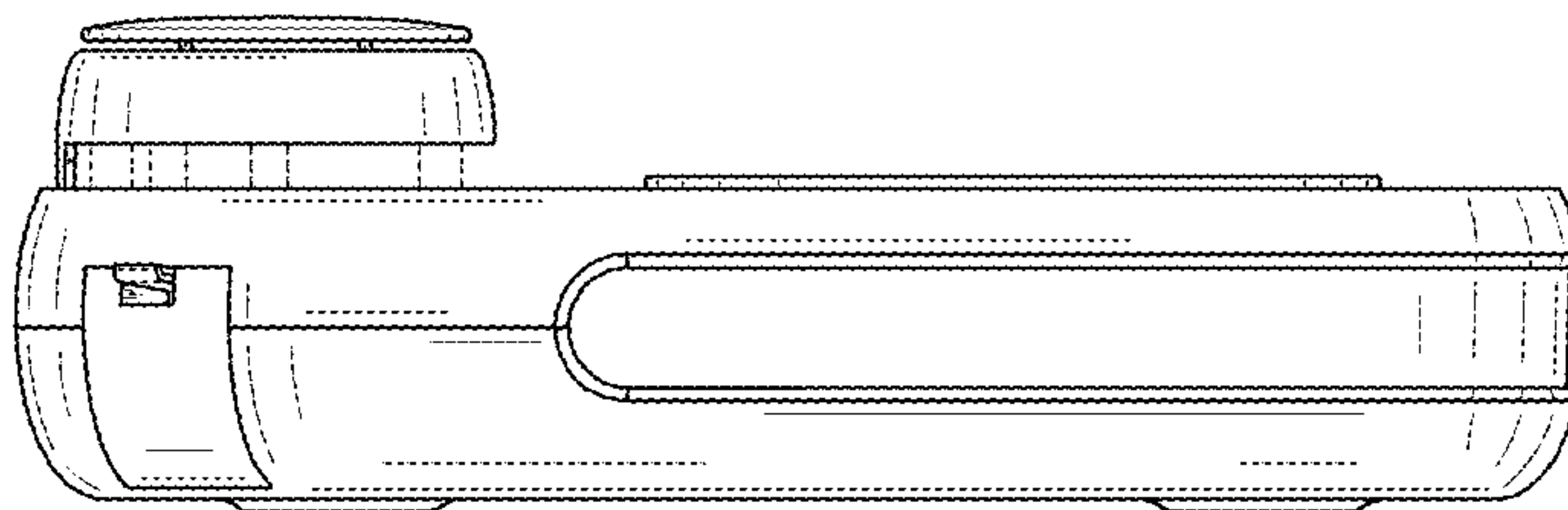
\* cited by examiner



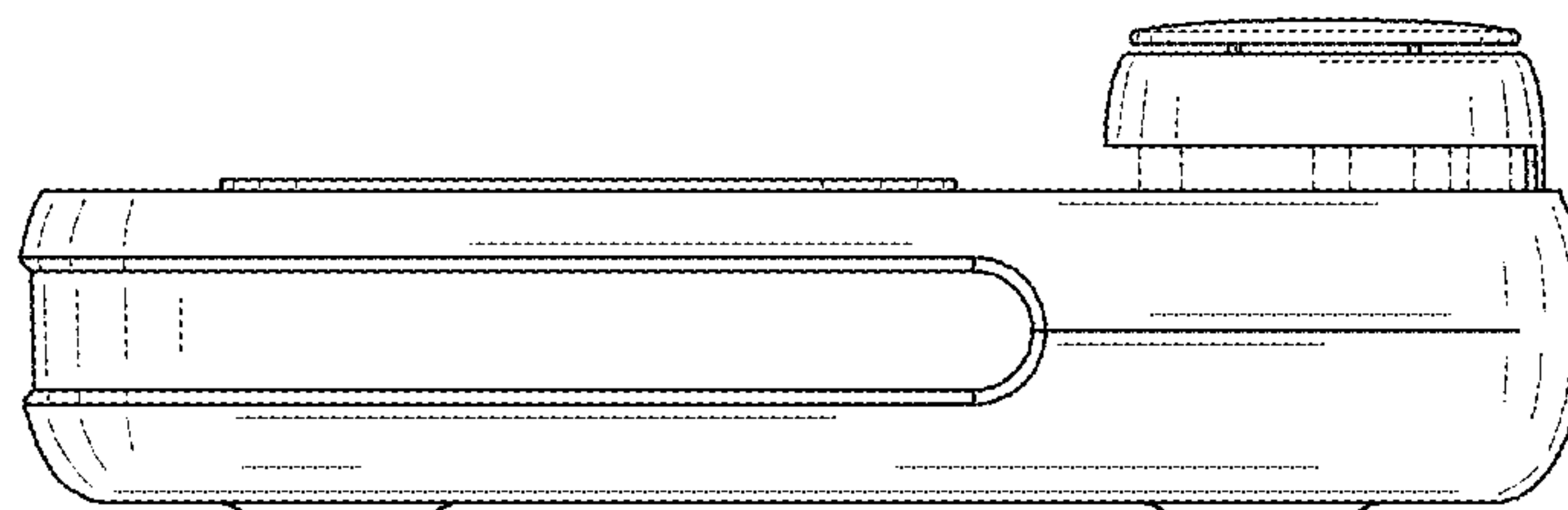
**FIG.1**



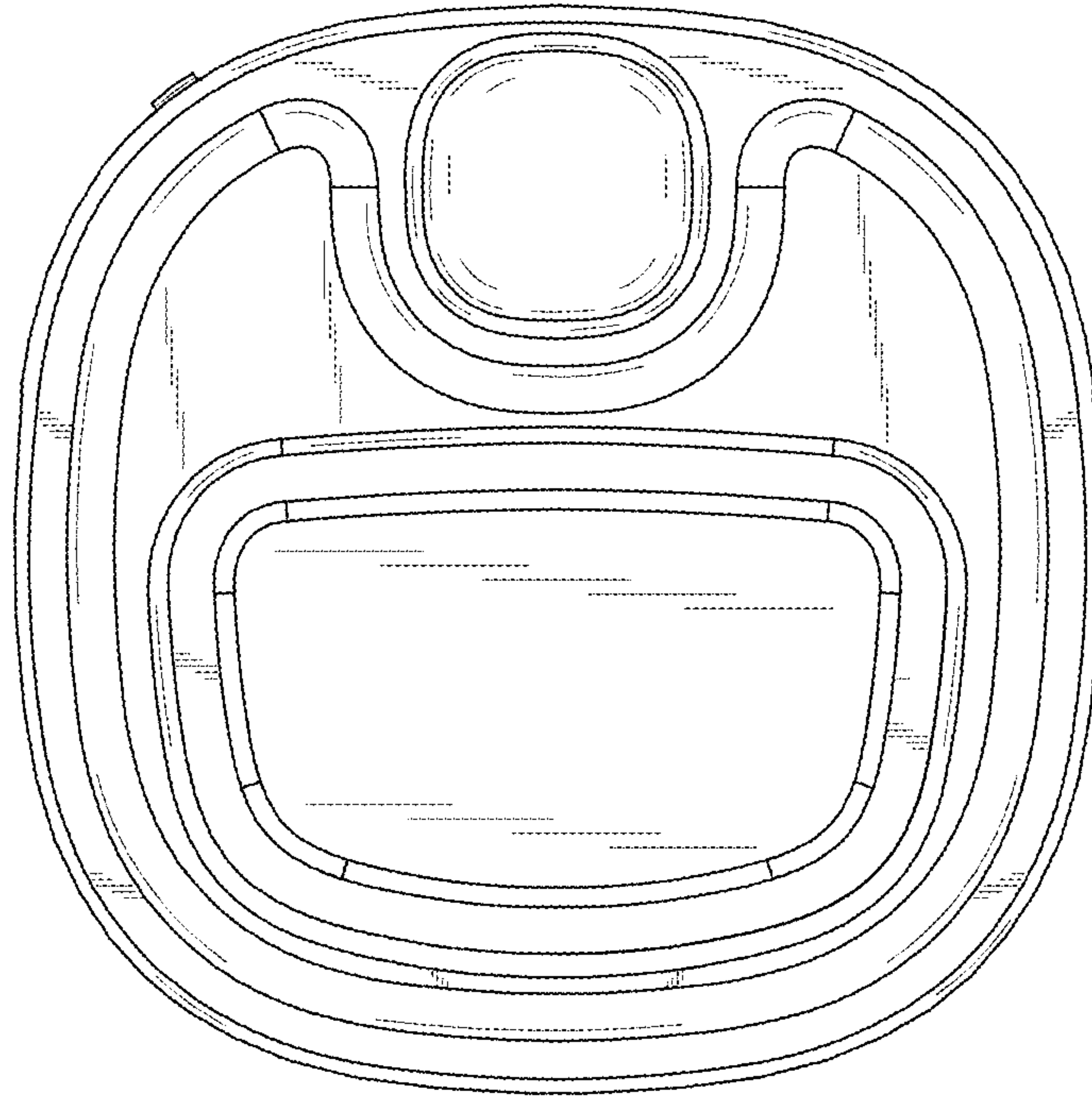
**FIG.2**



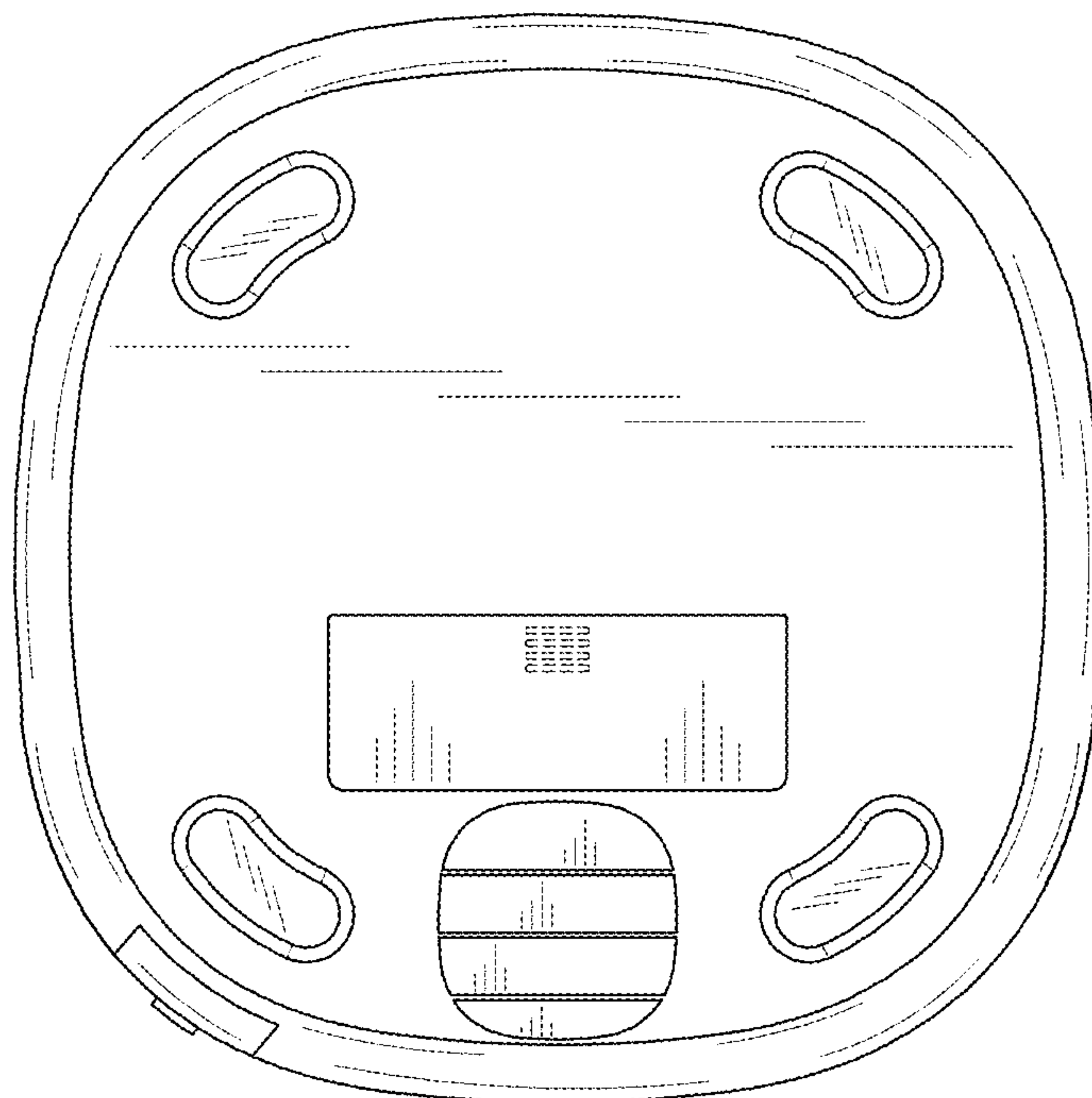
**FIG.3**



**FIG.4**



**FIG.5**



**FIG.6**



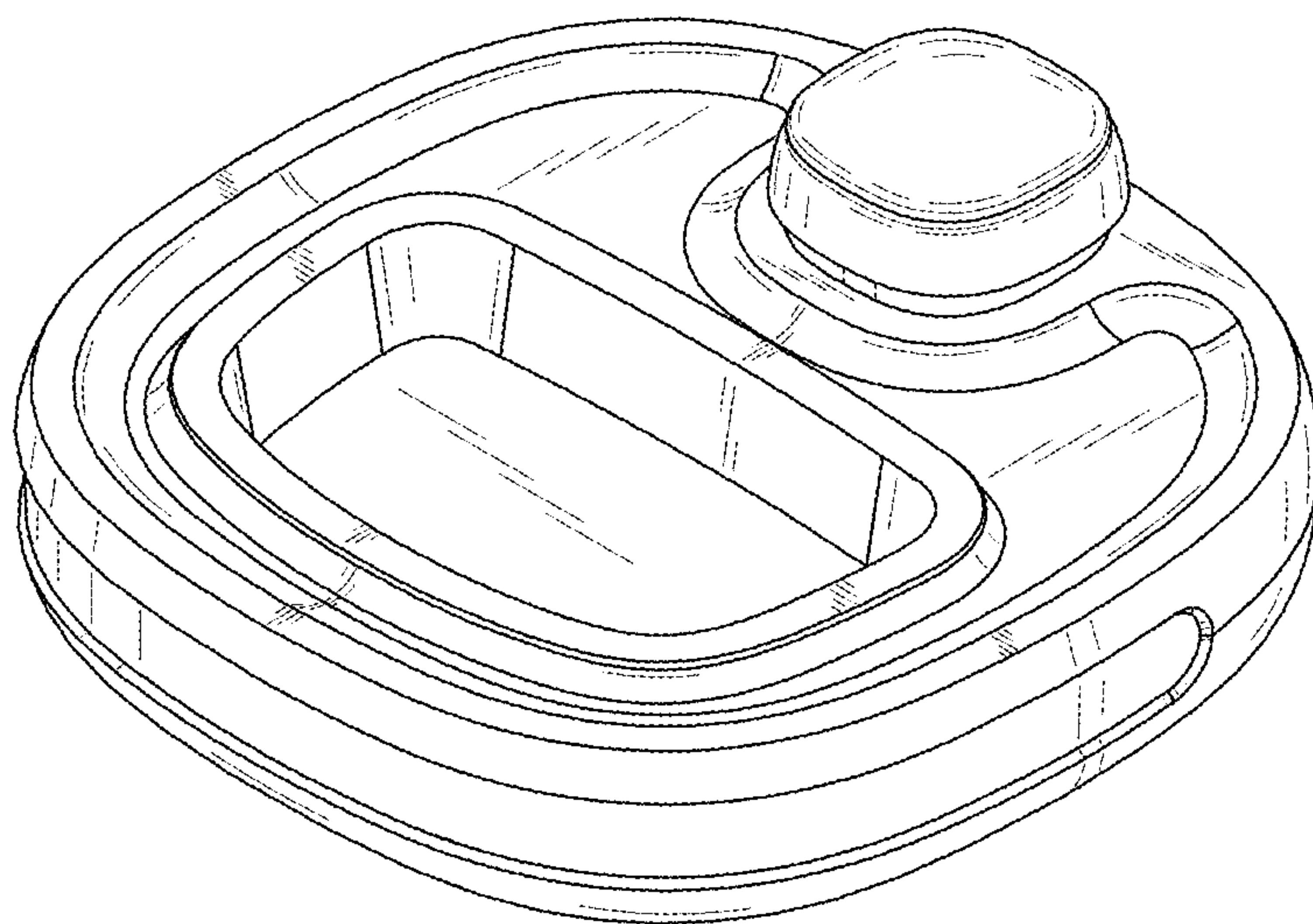


FIG. 7

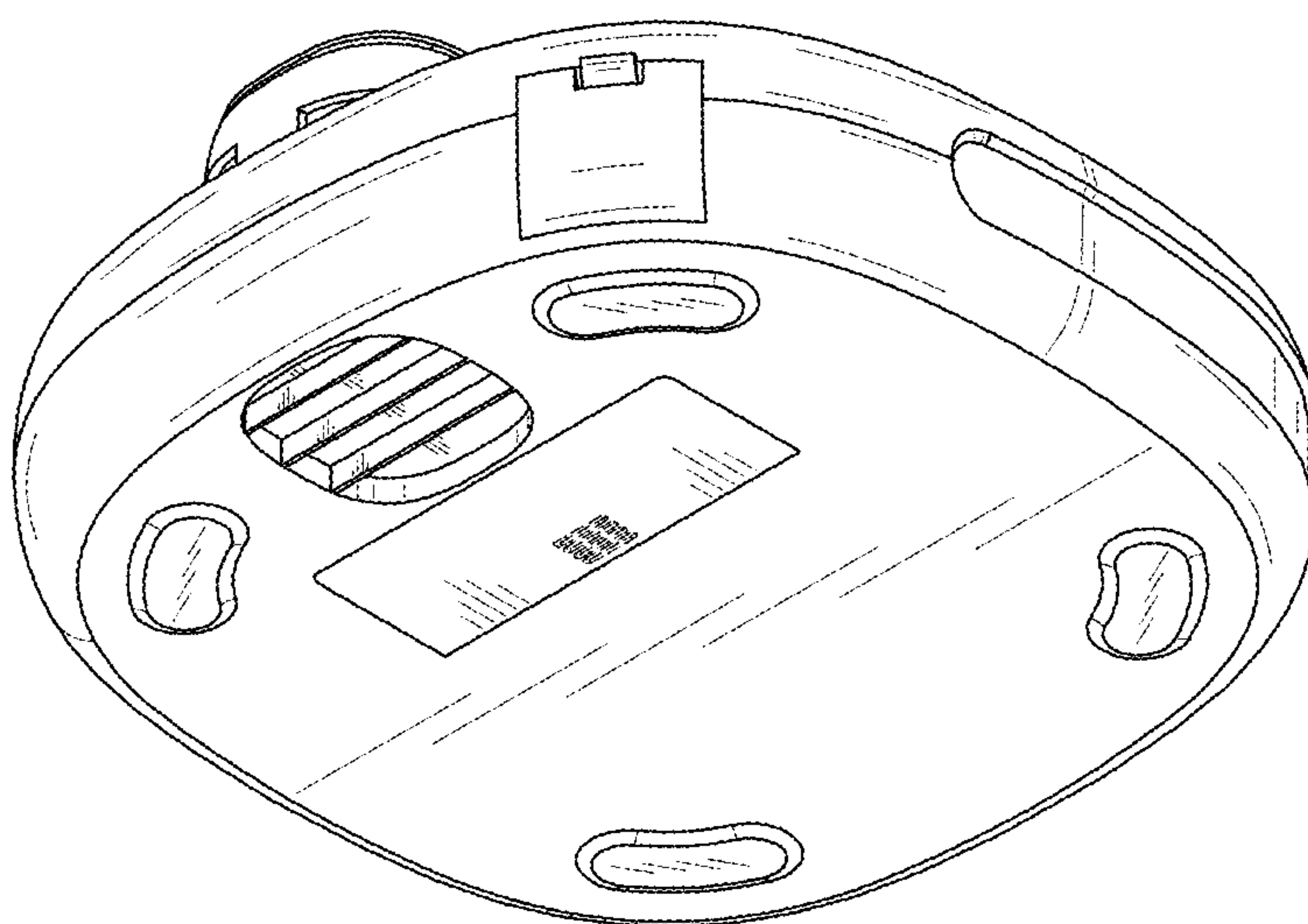
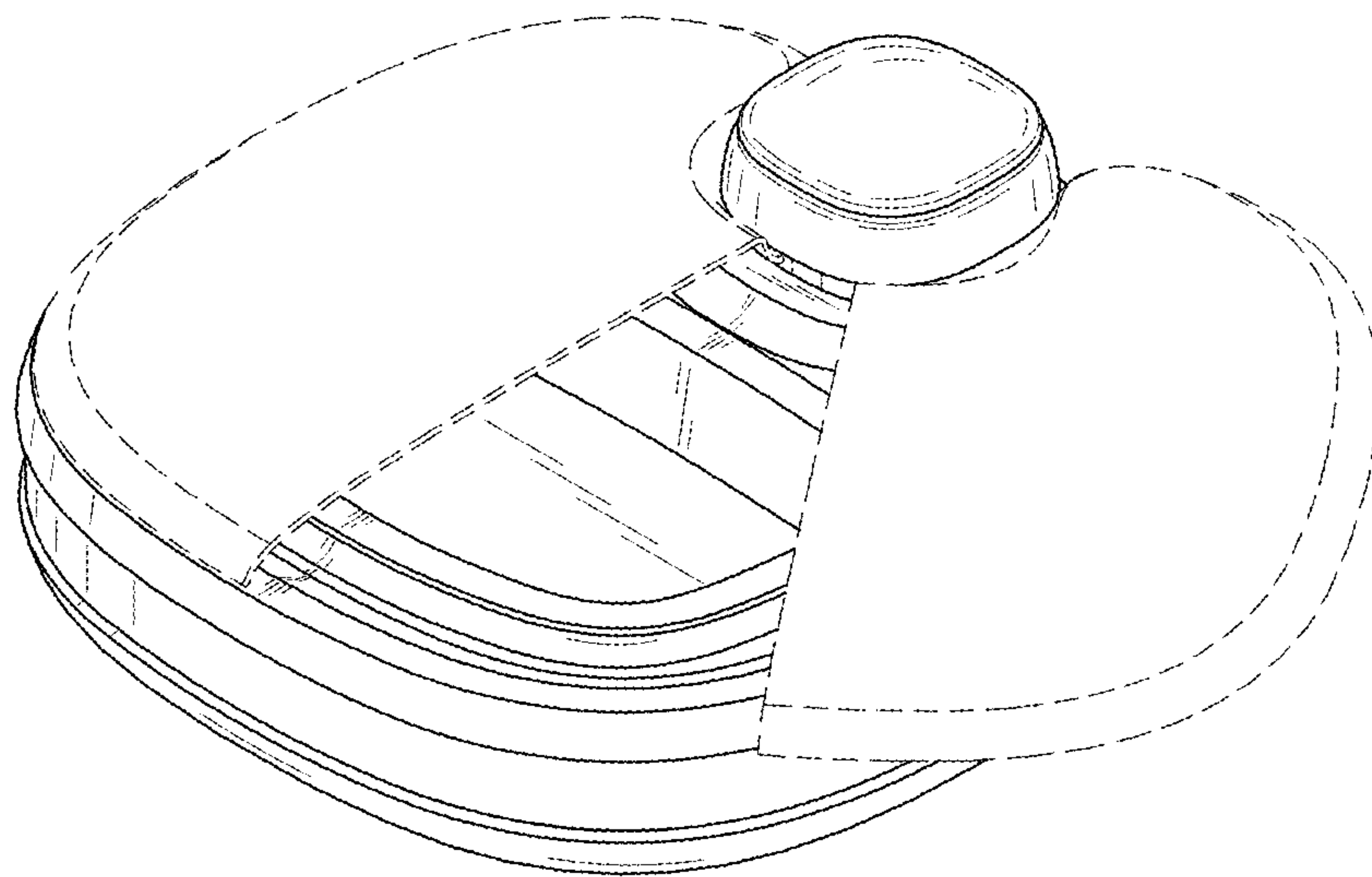


FIG. 8



**FIG. 9**