



US00D889048S

(12) **United States Design Patent**
Dumont et al.

(10) **Patent No.:** **US D889,048 S**
(45) **Date of Patent:** **** Jun. 30, 2020**

(54) **FEEDING BOTTLE FOR A LARGE MAMMAL**

URL: https://www.amazon.com/BESS-Calf-Nursing-Feeding-Bottle/dp/B07R8DNVVL/ref=sr_1_1?keywords=BESS+Bottle&qid=1572553266&sr=8 (Year: 2019).*

(71) Applicants: **Bertrand Dumont**, Portsmouth, RI (US); **Manuel Reyes**, Newport, RI (US)

(Continued)

(72) Inventors: **Bertrand Dumont**, Portsmouth, RI (US); **Manuel Reyes**, Newport, RI (US)

Primary Examiner — Michael C Stout
Assistant Examiner — Katrina N Gonzalez

(73) Assignee: **Cotran Corporation**, Portsmouth, RI (US)

(74) *Attorney, Agent, or Firm* — Keeley DeAngelo LLP; W Scott Keeley

(**) Term: **15 Years**

(57) **CLAIM**

(21) Appl. No.: **29/658,695**

The ornamental design for a feeding bottle for a large mammal, as shown and described.

(22) Filed: **Aug. 2, 2018**

DESCRIPTION

(51) **LOC (12) Cl.** **30-07**

(52) **U.S. Cl.**
USPC **D30/121; D30/132**

(58) **Field of Classification Search**
USPC D30/121, 122, 129-133; D9/435, 440, D9/443, 516, 522, 528, 531, 545, 549, D9/564, 715, 716, 719; D3/202; D24/197; D7/510

CPC A01K 5/00; A01K 9/00; A01K 5/0114; A01K 5/0121; A01K 5/0135; A01K 7/005; A01K 7/00; A01K 39/04; A01K 39/0213

See application file for complete search history.

FIG. 1 is a front-perspective, exploded view of the first embodiment of a feeding bottle for a large mammal. FIG. 2 is a bottom perspective view of FIG. 1, but shown separate from the nipple feature for clarity of illustration. FIG. 3 is a front view thereof; FIG. 4 is a right view thereof; FIG. 5 is a top view thereof; FIG. 6 is a bottom view thereof; FIG. 7 is a front perspective view of the second embodiment of a feeding bottle for a large mammal. FIG. 8 is a bottom perspective view of FIG. 8, but shown separate from the nipple feature for clarity of illustration. FIG. 9 is a front view thereof; FIG. 10 is a right view thereof; FIG. 11 is a top view thereof; FIG. 12 is a bottom view thereof; FIG. 13 is a front perspective view of the third embodiment of a feeding bottle for a large mammal. FIG. 14 is a bottom perspective view of FIG. 15, but shown separate from the nipple feature for clarity of illustration. FIG. 15 is a front view thereof; FIG. 16 is a right view thereof; FIG. 17 is a top view thereof; and, FIG. 18 is a bottom view thereof.

(56) **References Cited**

U.S. PATENT DOCUMENTS

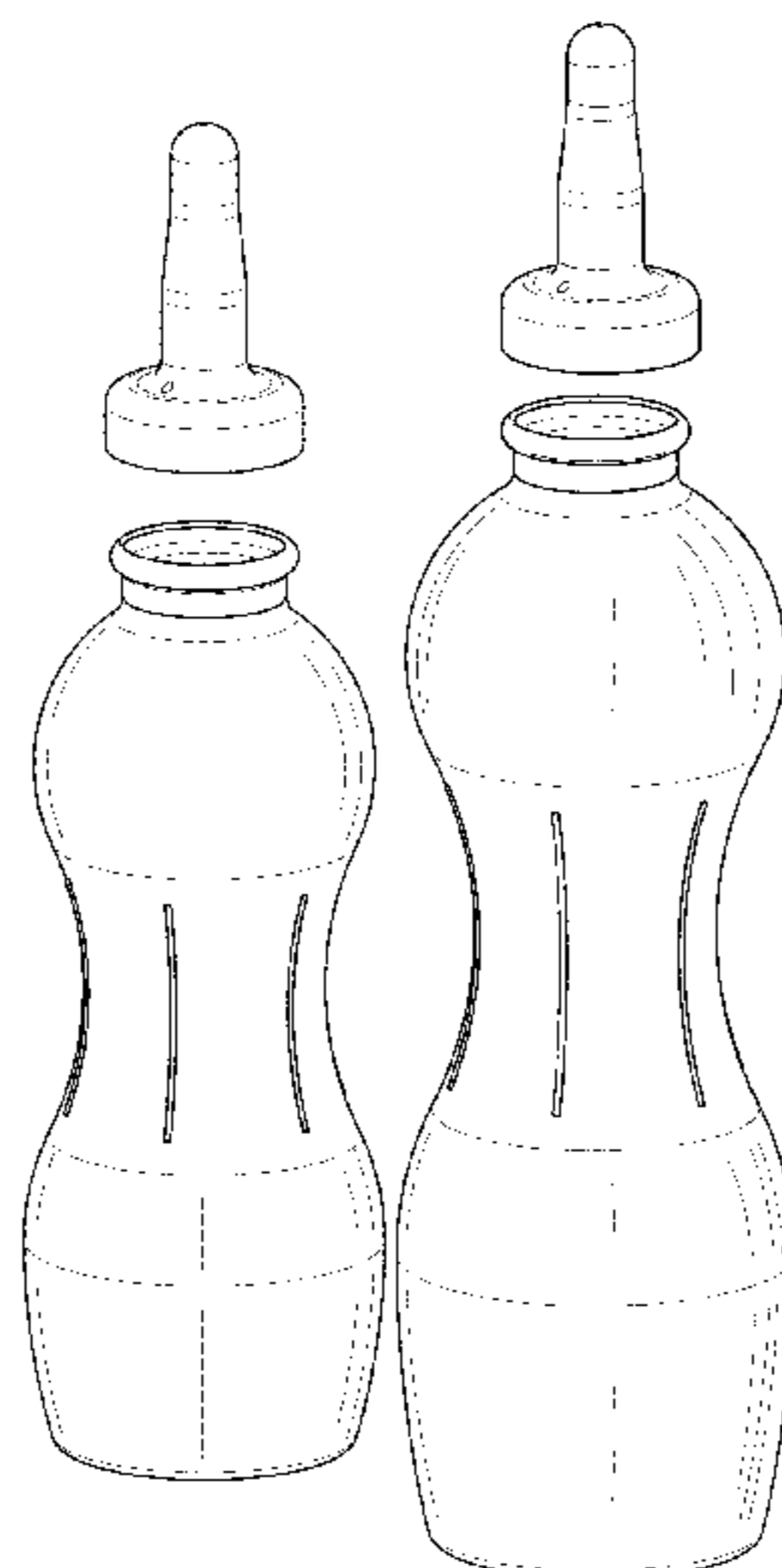
D298,354 S	*	11/1988	Viator	D24/197
D301,741 S	*	6/1989	Barber	D24/197
D302,038 S	*	7/1989	Barber	D24/197
D312,878 S	*	12/1990	Mariol	D24/197
D313,075 S	*	12/1990	Mariol	D24/197

(Continued)

OTHER PUBLICATIONS

“BESS Calf 2qt Nursing Feeding Bottle” available Sep. 11, 2019, [online], [site visited Oct. 31, 2019]. Retrieved from Internet,

1 Claim, 15 Drawing Sheets



(56)

References Cited

U.S. PATENT DOCUMENTS

D315,409 S * 3/1991 Baarber D24/197
D333,268 S * 2/1993 Arlinghaus D9/538
5,518,143 A * 5/1996 Iodice A47G 19/2266
215/229
D404,491 S * 1/1999 Scott D24/197
D407,980 S * 4/1999 Dinand D9/500
D435,194 S * 12/2000 Betras D7/510
D440,318 S * 4/2001 Meyers D24/197
D450,387 S * 11/2001 Gaona D24/197
D520,363 S * 5/2006 Perez D9/500
D620,758 S * 8/2010 Smiedt D7/523
D621,660 S * 8/2010 Smiedt D7/510
D659,473 S * 5/2012 Ghiassi D7/510
D789,745 S * 6/2017 Rashid D7/523
D794,392 S * 8/2017 Rashid D7/507
D796,261 S * 9/2017 Khalifa D7/392.1
D803,411 S * 11/2017 Park D24/197
D817,713 S * 5/2018 Lin D7/510
D823,061 S * 7/2018 Murosky D7/510

OTHER PUBLICATIONS

“On-the-go bottles” available Jan. 16, 2012, [online], [site visited Oct. 31, 2019]. Retrieved from Internet, URL:<https://www.bevindustry.com/articles/85208-onthego-bottles> (Year: 2012).*

“Get SDB-32 32 oz. Polycarbonate Frosted Salad Dressing _ Juice Bottle and Lid Set” available Oct. 31, 2019, [online], [site visited Oct. 31, 2019]. Retrieved from Internet, URL:<https://www.webstaurantstore.com/get-sdb-32-32-oz-salad-dressing-juice-container/375SDB32.html> (Year: 2019).*

* cited by examiner

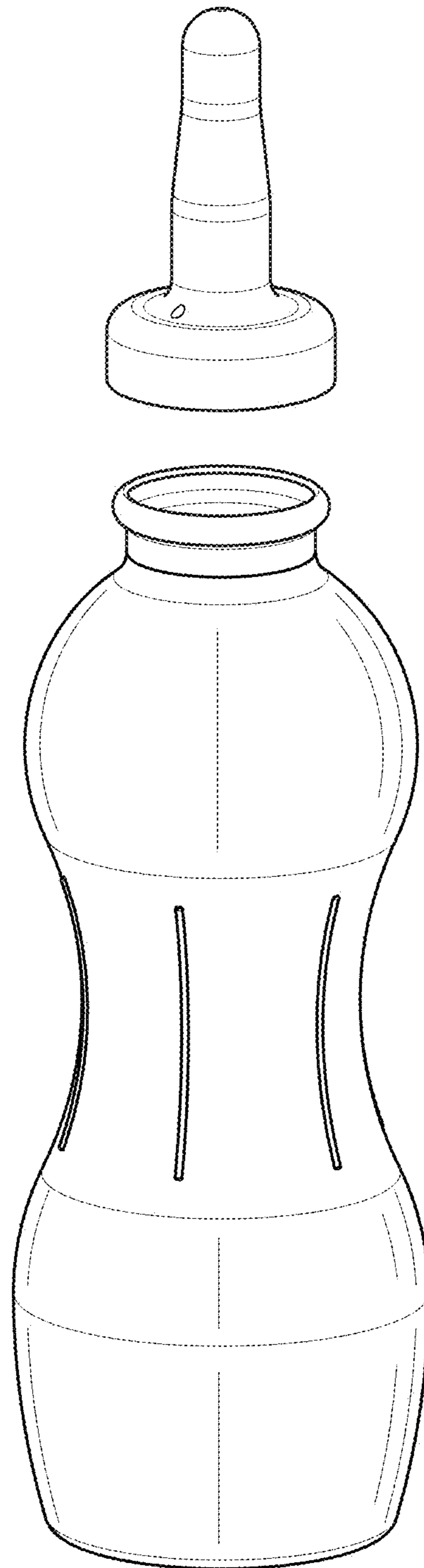


FIG. 1

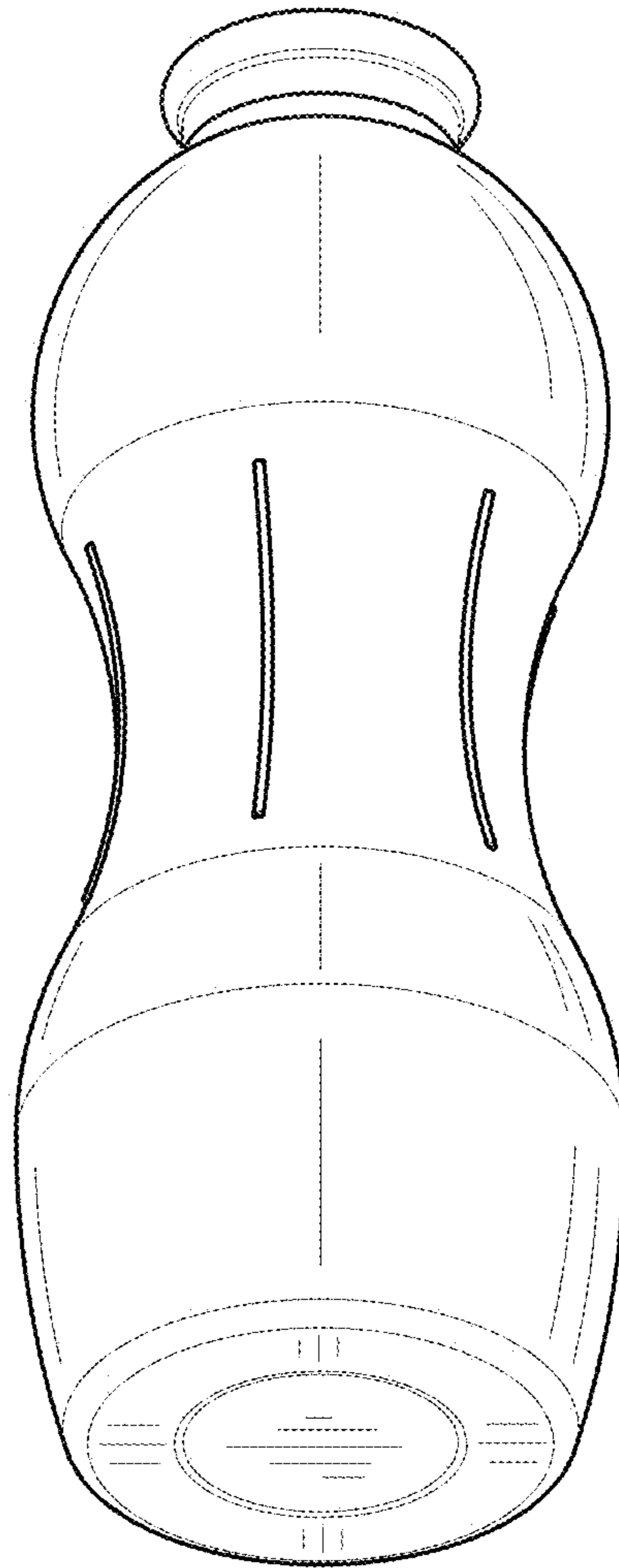


FIG. 2

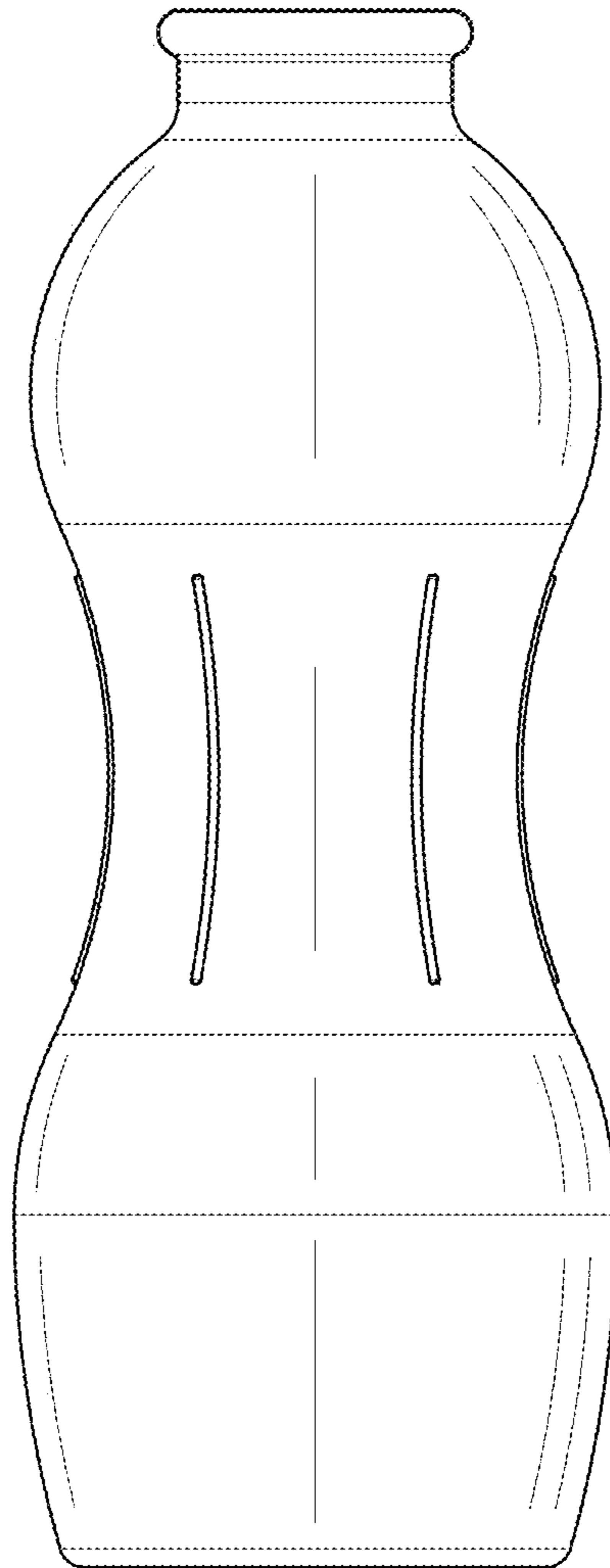


FIG. 3

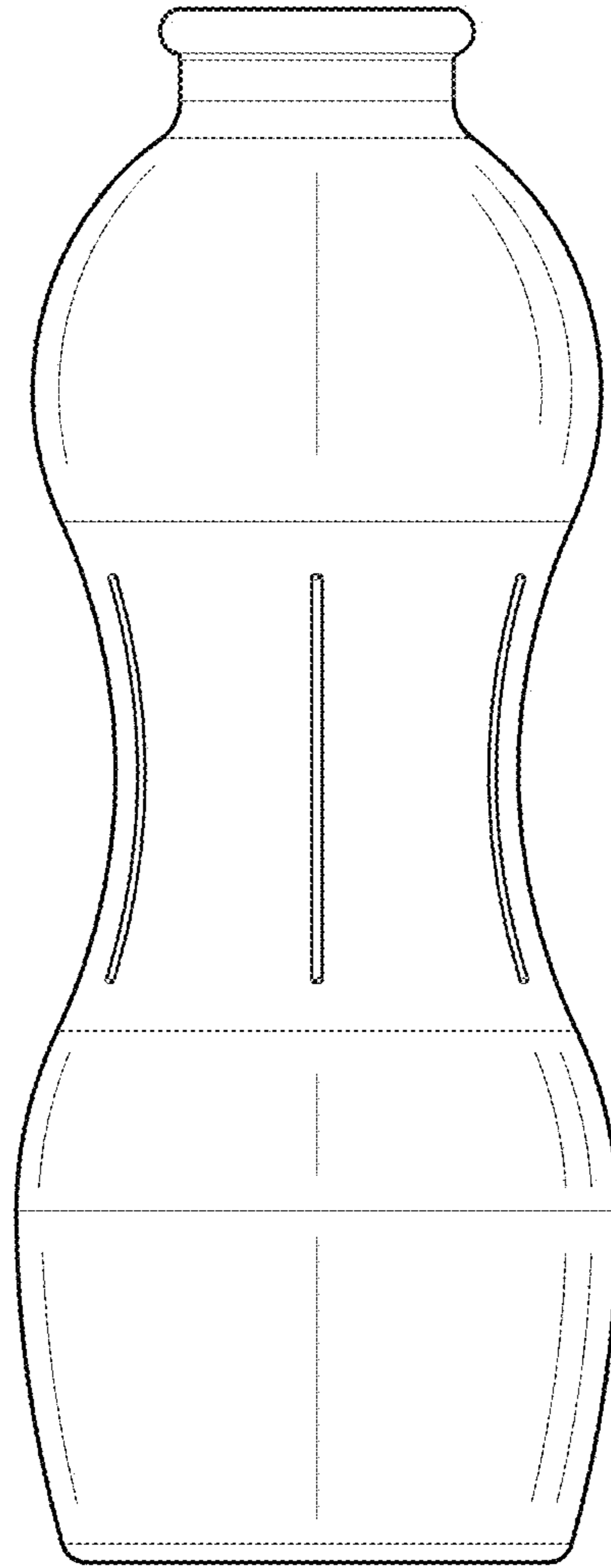


FIG. 4

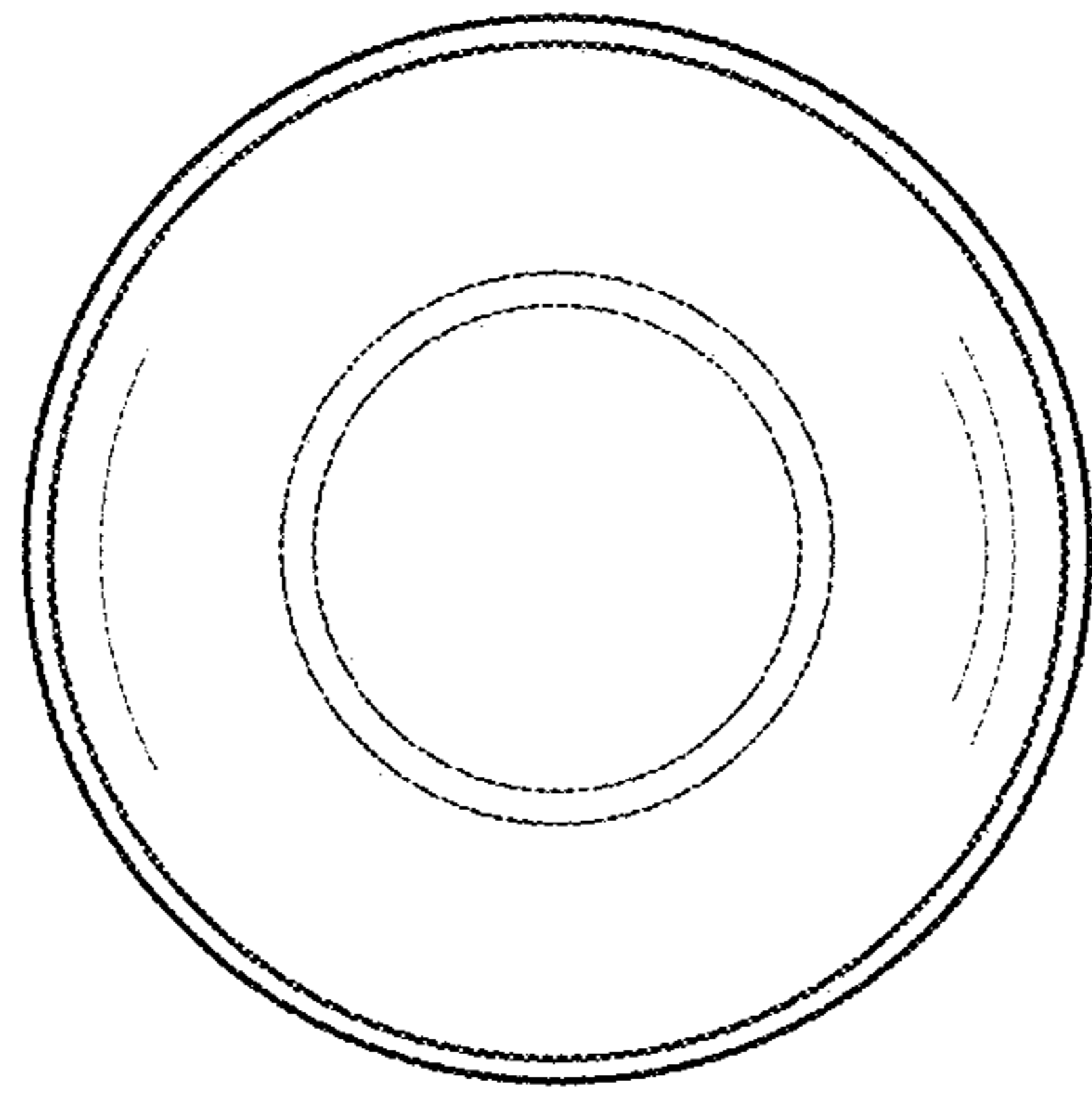


FIG. 5

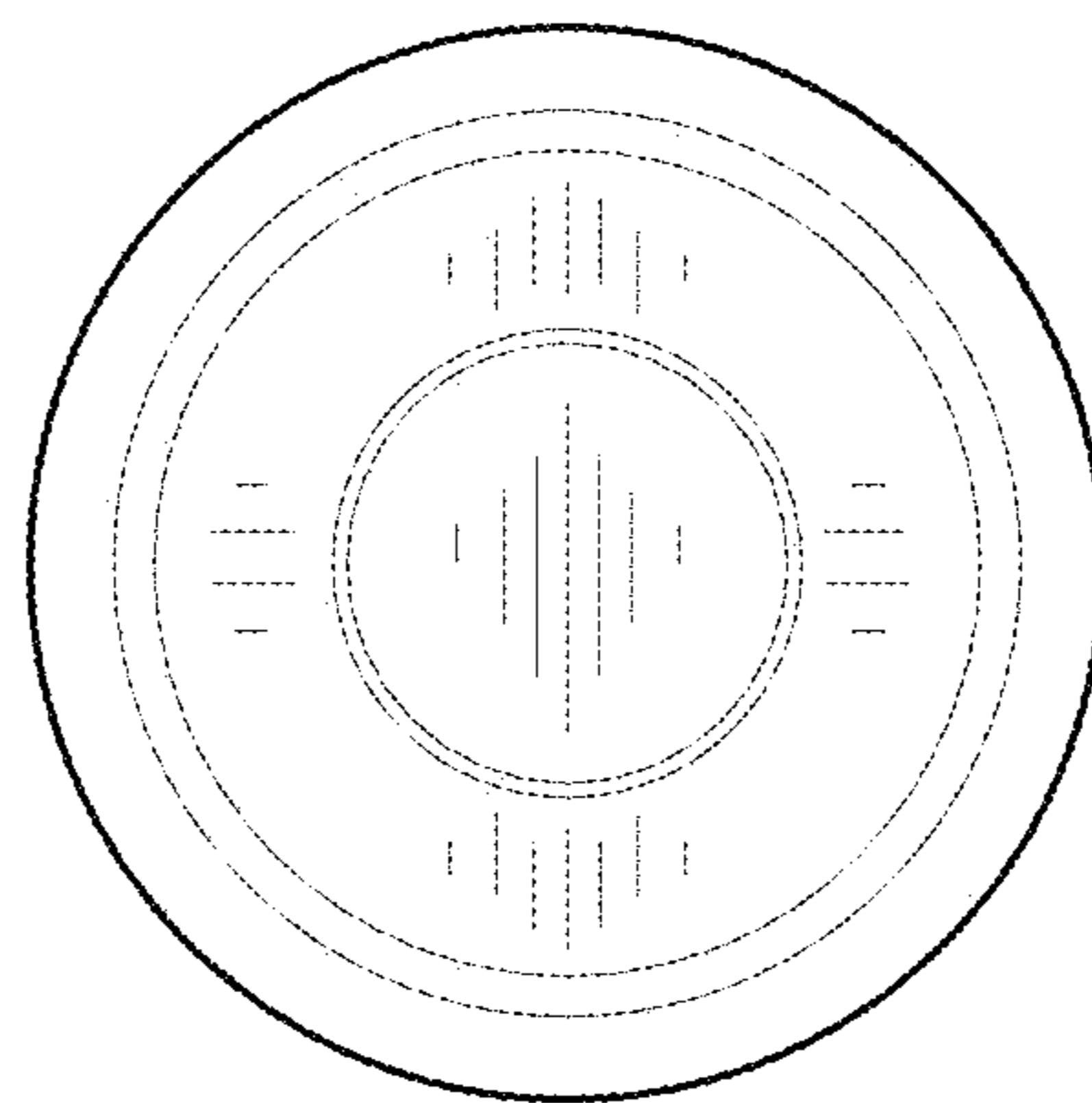


FIG. 6

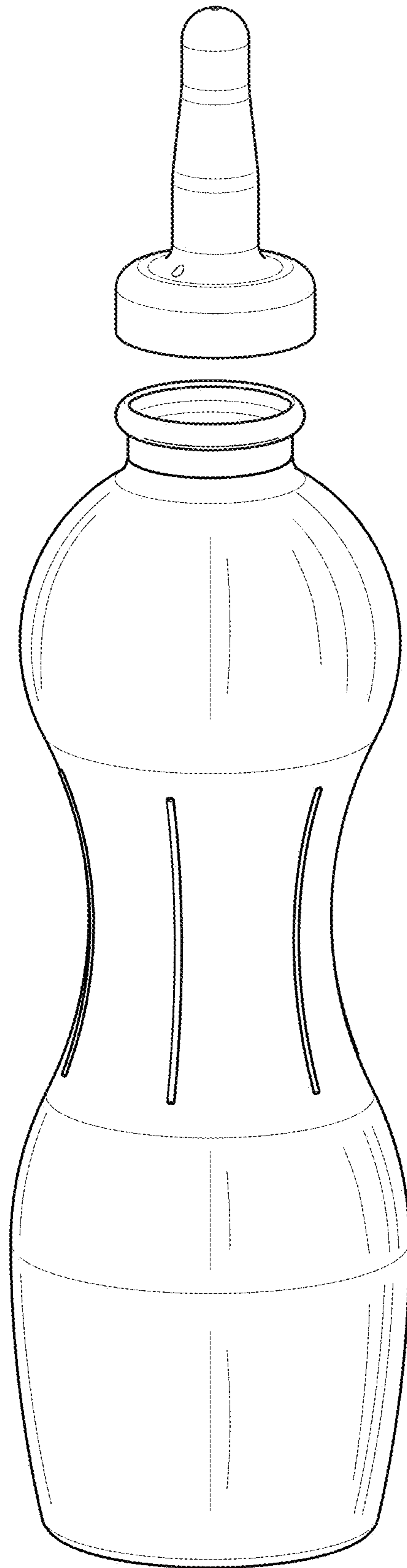


FIG. 7

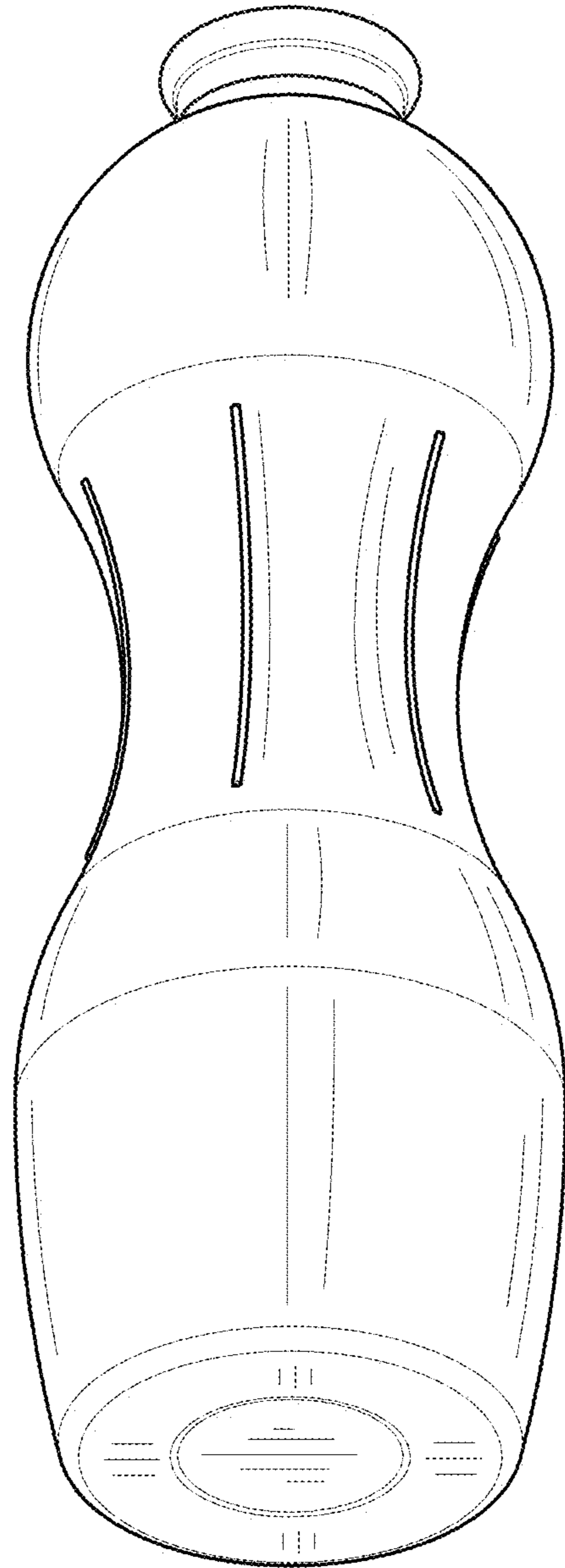


FIG. 8

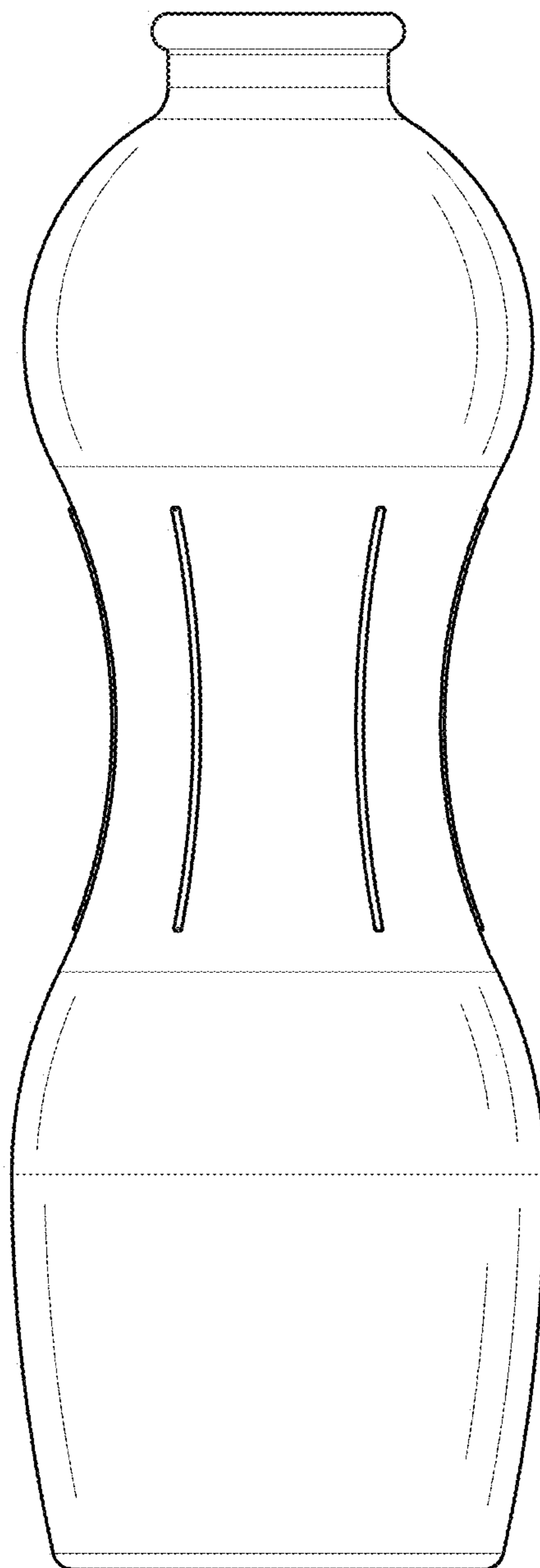


FIG. 9

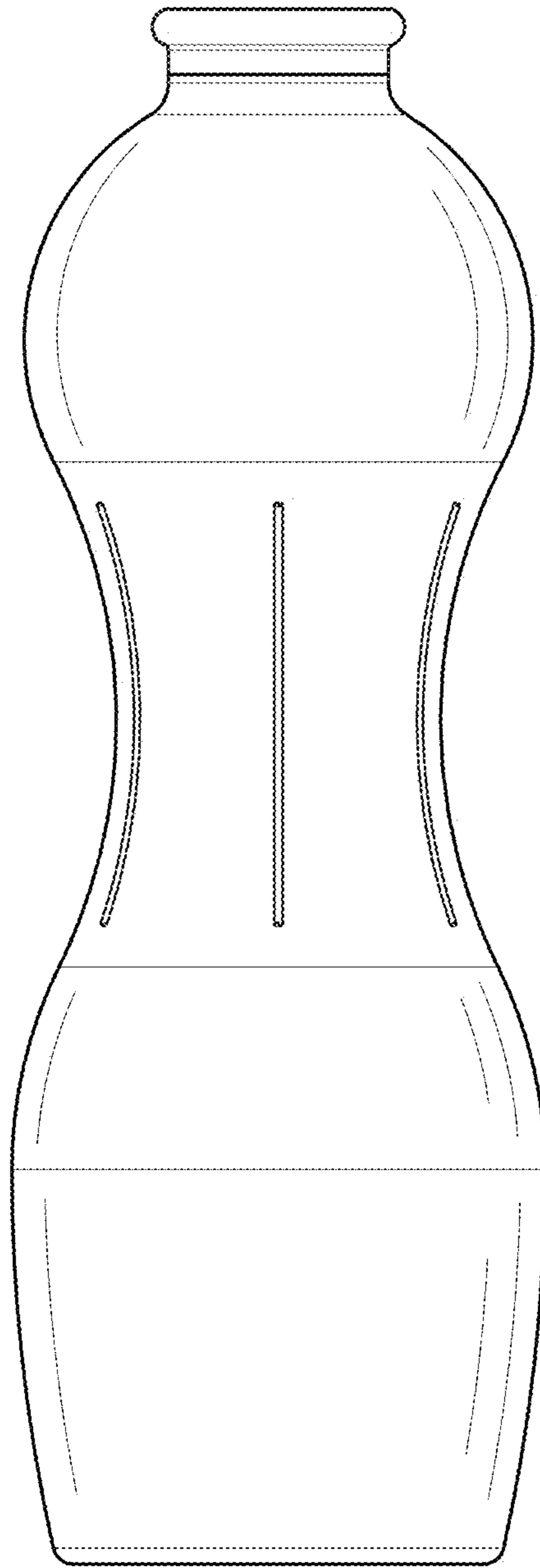


FIG. 10

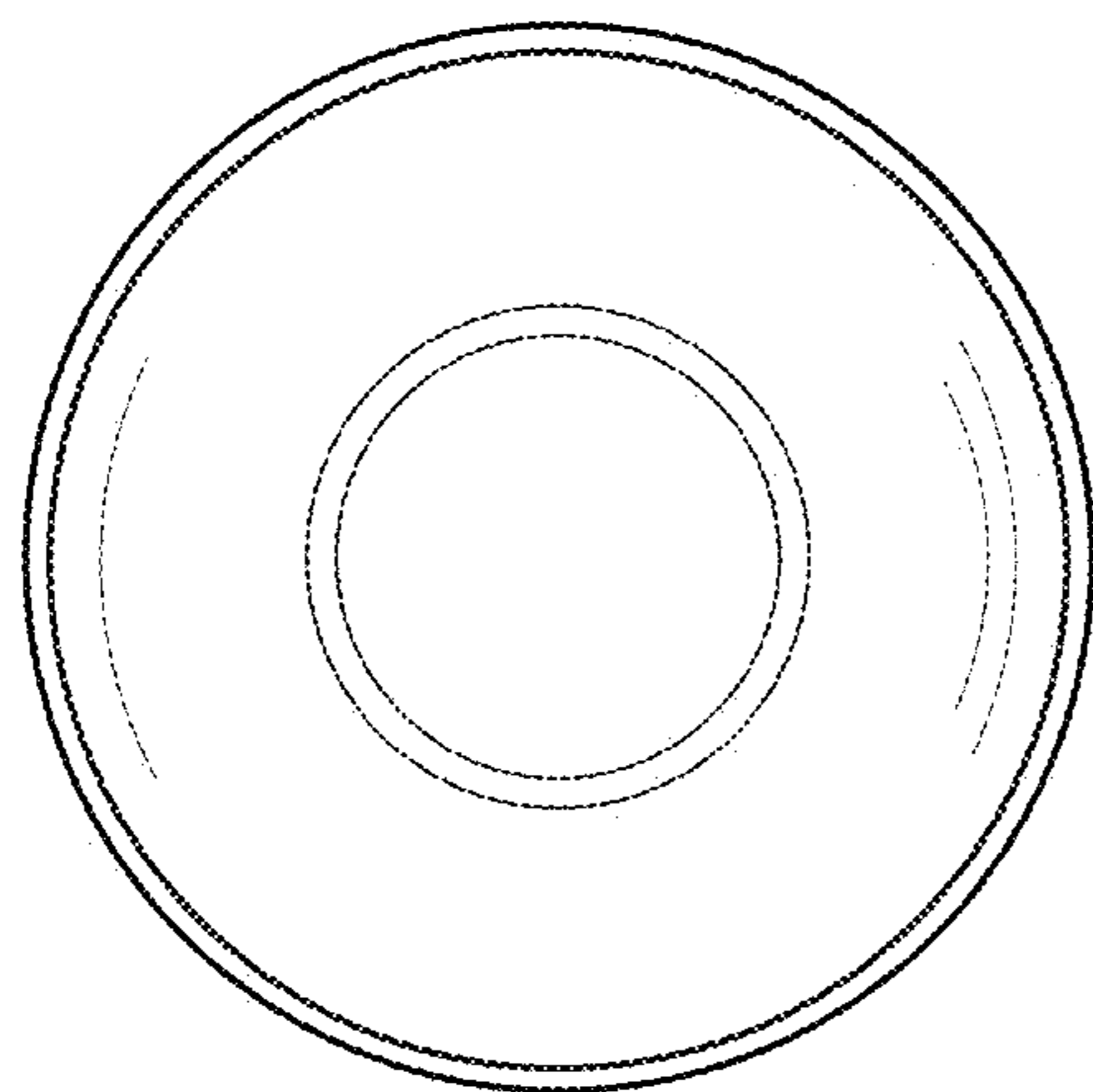


FIG. 11

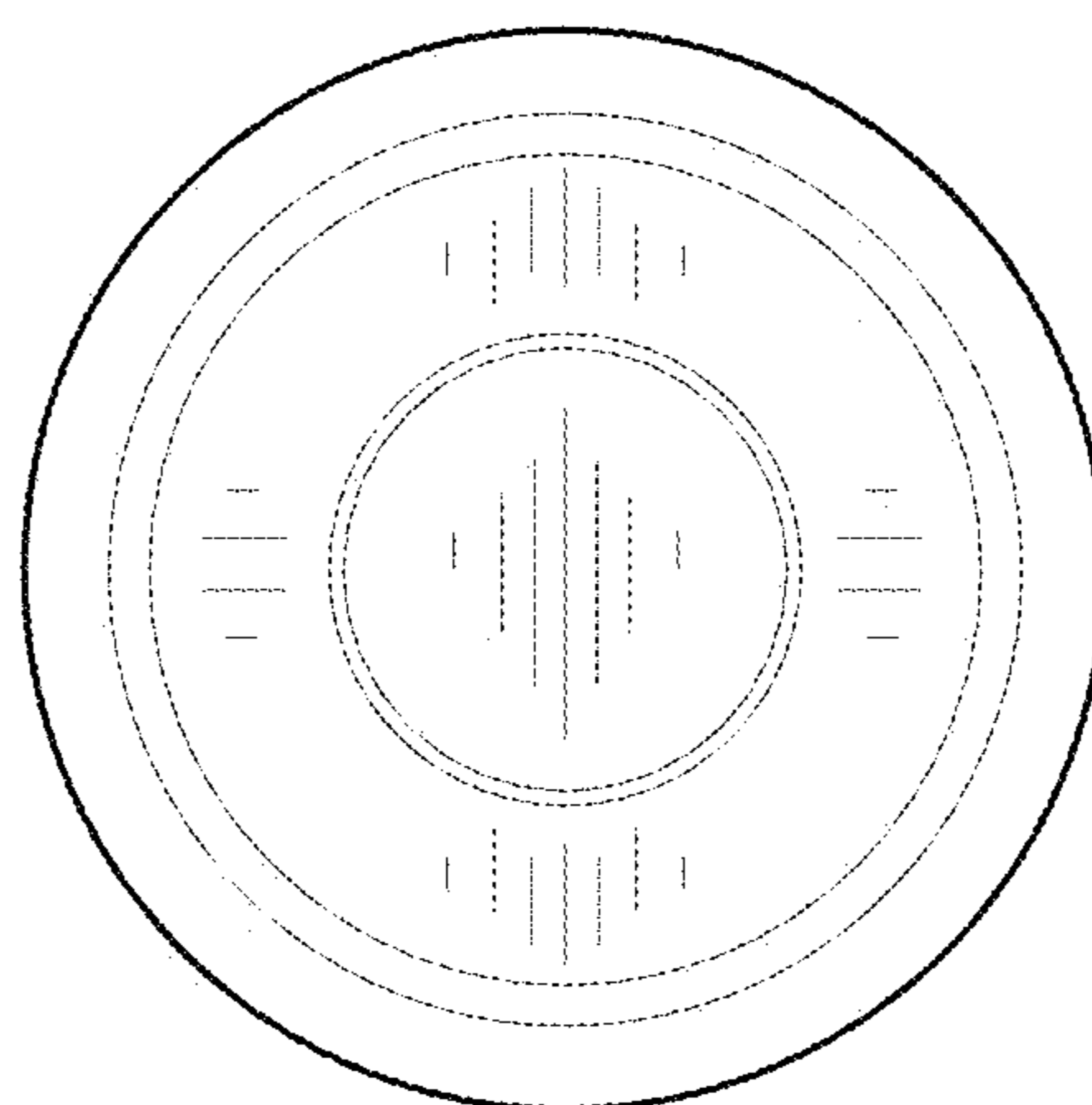


FIG. 12

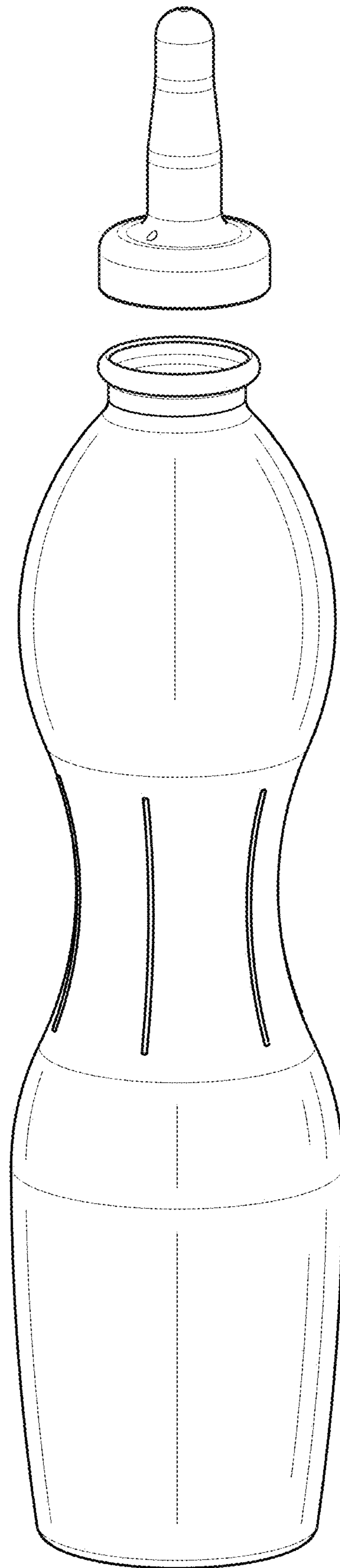


FIG. 13

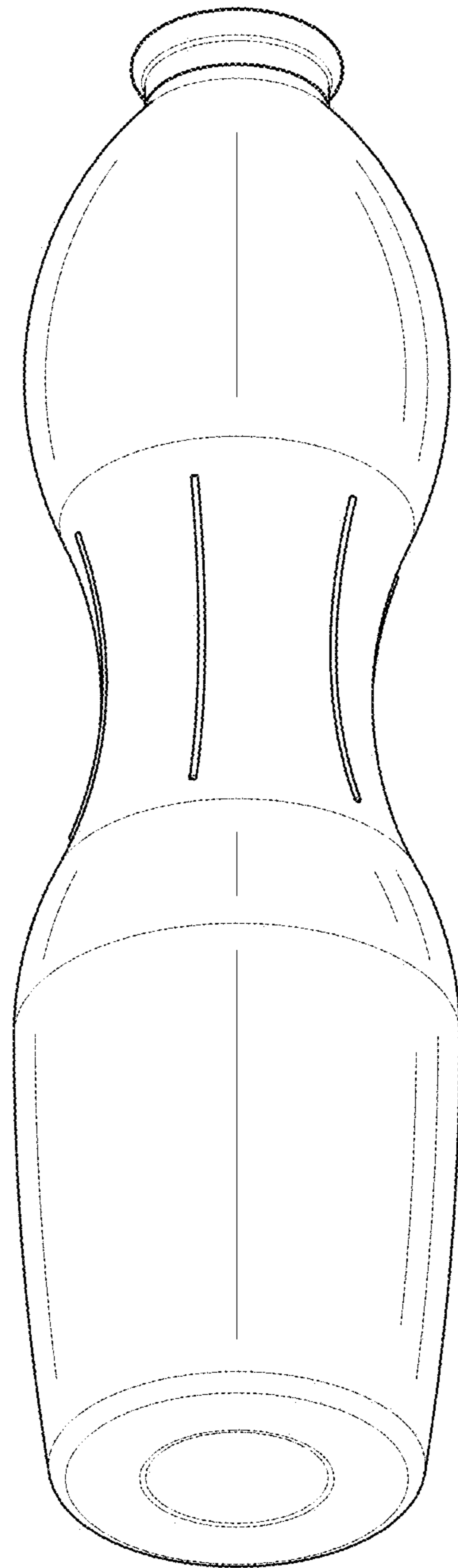


FIG. 14

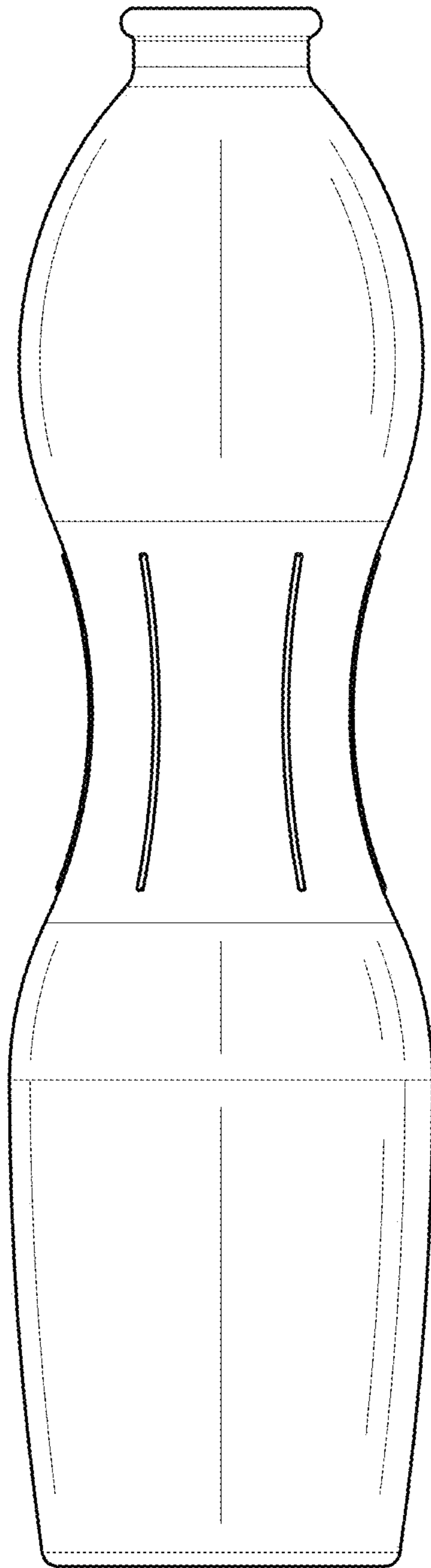


FIG. 15

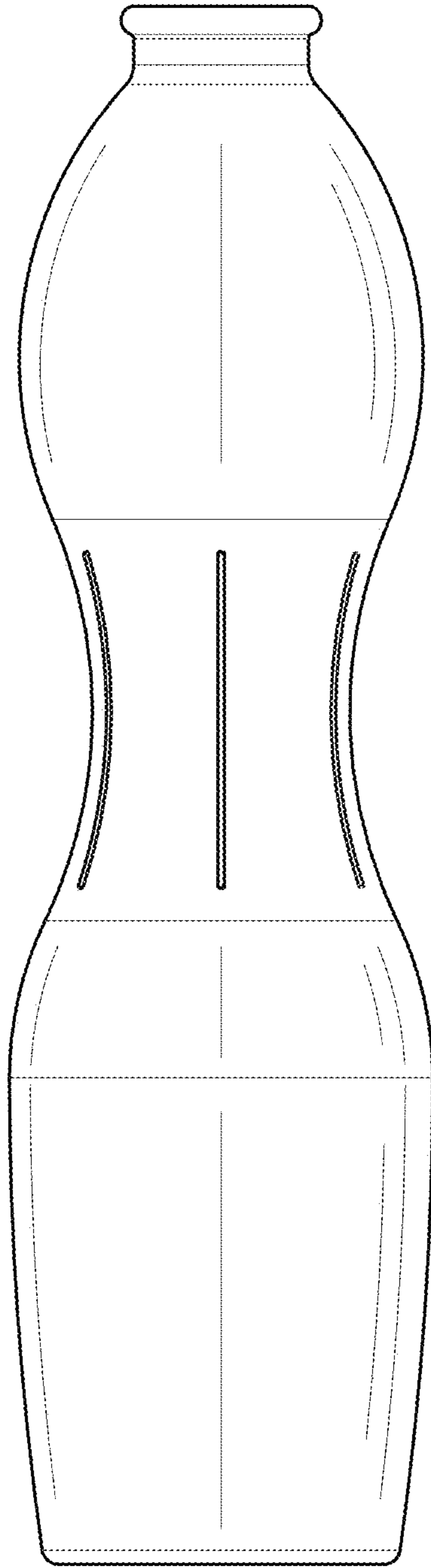


FIG. 16

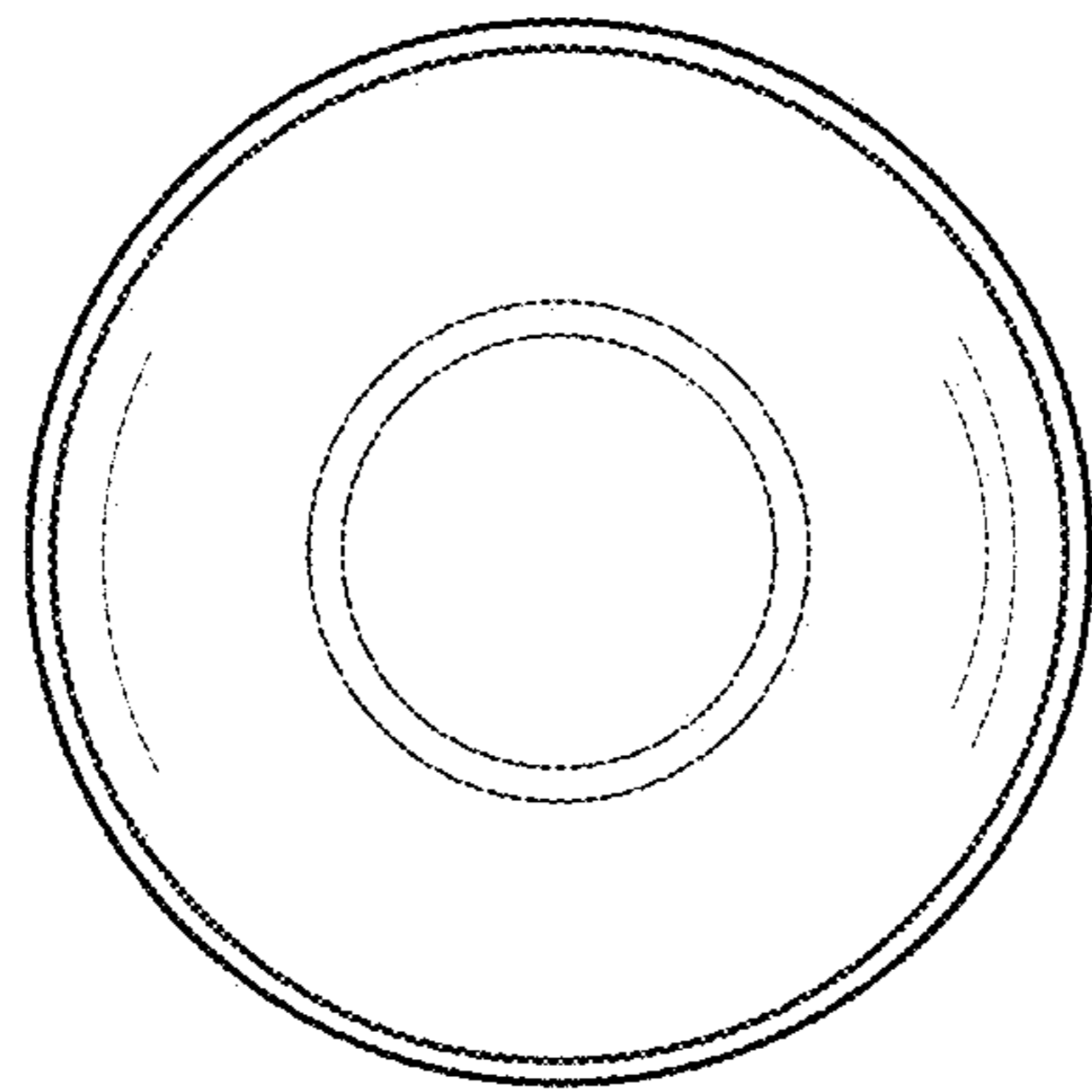


FIG. 17

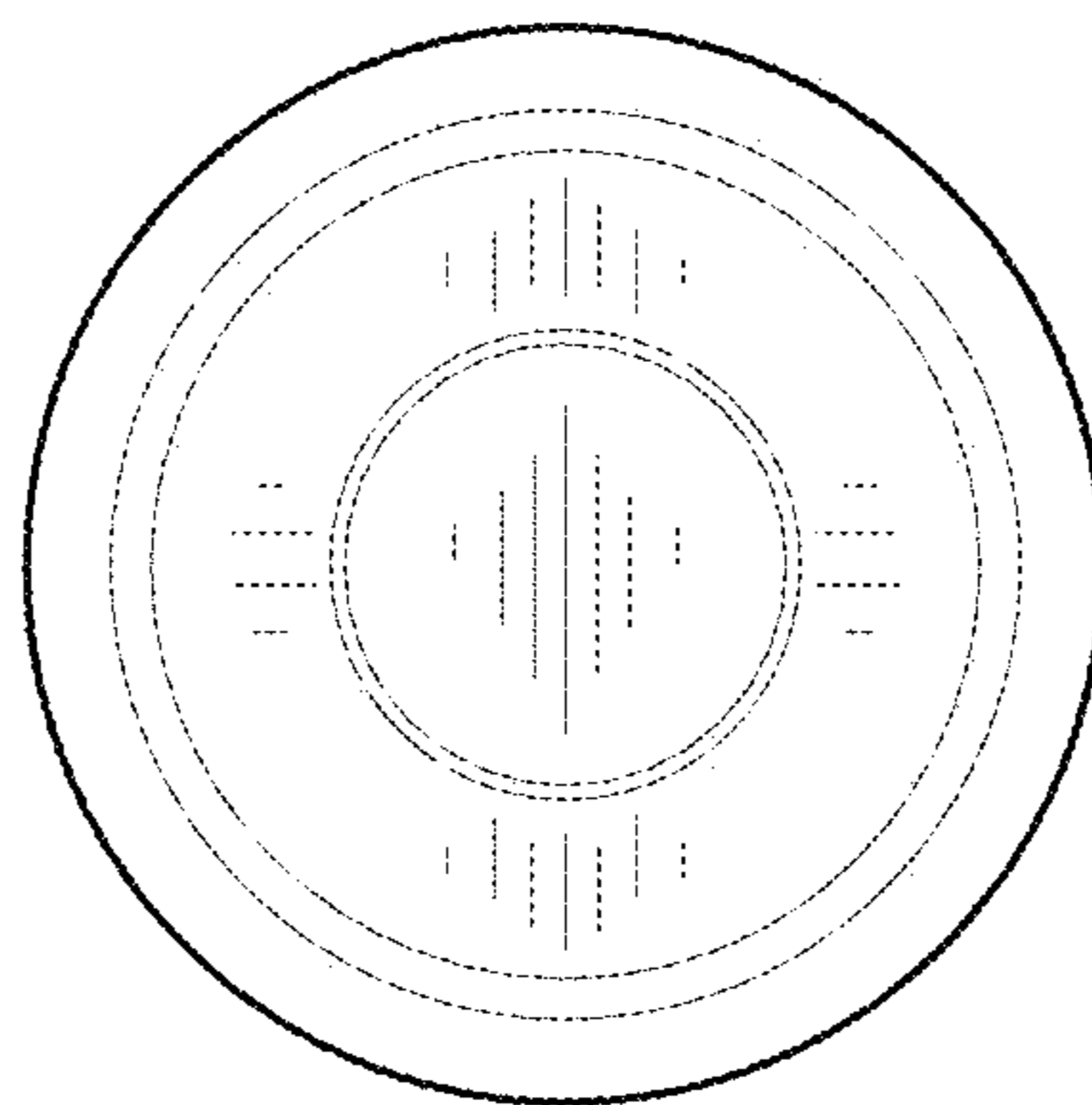


FIG. 18