



US00D889046S

(12) **United States Design Patent**
Fountain et al.

(10) **Patent No.:** **US D889,046 S**
(45) **Date of Patent:** **** Jun. 30, 2020**

- (54) **COMBINED EAR MUFF AND GLASSES**
- (71) Applicant: **Loud and Clear Safety Pty Ltd**,
Harkaway, Victoria (AU)
- (72) Inventors: **Peter David Fountain**, Harkaway
(AU); **Jack Magree**, North Melbourne
(AU)
- (73) Assignee: **LOUD AND CLEAR SAFETY PTY LTD**,
Victoria (AU)
- (**) Term: **15 Years**
- (21) Appl. No.: **29/623,354**
- (22) Filed: **Oct. 24, 2017**
- (30) **Foreign Application Priority Data**

Apr. 24, 2017 (AU) 201712370

- (51) **LOC (12) Cl.** **29-02**
- (52) **U.S. Cl.**
USPC **D29/112; D29/109**
- (58) **Field of Classification Search**
USPC D29/100, 102, 105, 106, 107, 108, 109,
D29/112, 122, 110, 104; 2/455, 410,
2/417, 423, 424, 425, 9, 171, 208, 209,
2/918; D14/205, 223, 249; 181/129,
181/130, 135; 379/430, 431; 381/380,
381/381; 455/90.3, 575.1; D2/865, 866,
D2/867, 870, 872, 876, 878, 879, 882;
D24/110.2, 106
CPC A42B 3/16; A42B 3/163; A42B 3/166;
A61F 11/06; A61F 11/08; A61F 11/10;
A61F 11/12; A61F 11/14; A61F
2011/085; H04R 1/10; H04R 1/1008;
H04R 1/1016; H04R 1/105; H04R
1/1058; H04R 1/1066; H04R 1/1075;
H04R 1/1083; H04R 25/0335; H04R
25/652; H04R 25/654; H04R 25/656;
A63B 71/10

See application file for complete search history.

- (56) **References Cited**
- U.S. PATENT DOCUMENTS
- 3,051,961 A * 9/1962 Clark A61F 11/14
2/209
- D274,437 S * 6/1984 Dianitsch D16/309
(Continued)

FOREIGN PATENT DOCUMENTS

AU 327354 2/2009
WO WO 2010/022440 3/2010

Primary Examiner — Elizabeth J Oswecki
(74) *Attorney, Agent, or Firm* — Maschoff Brennan

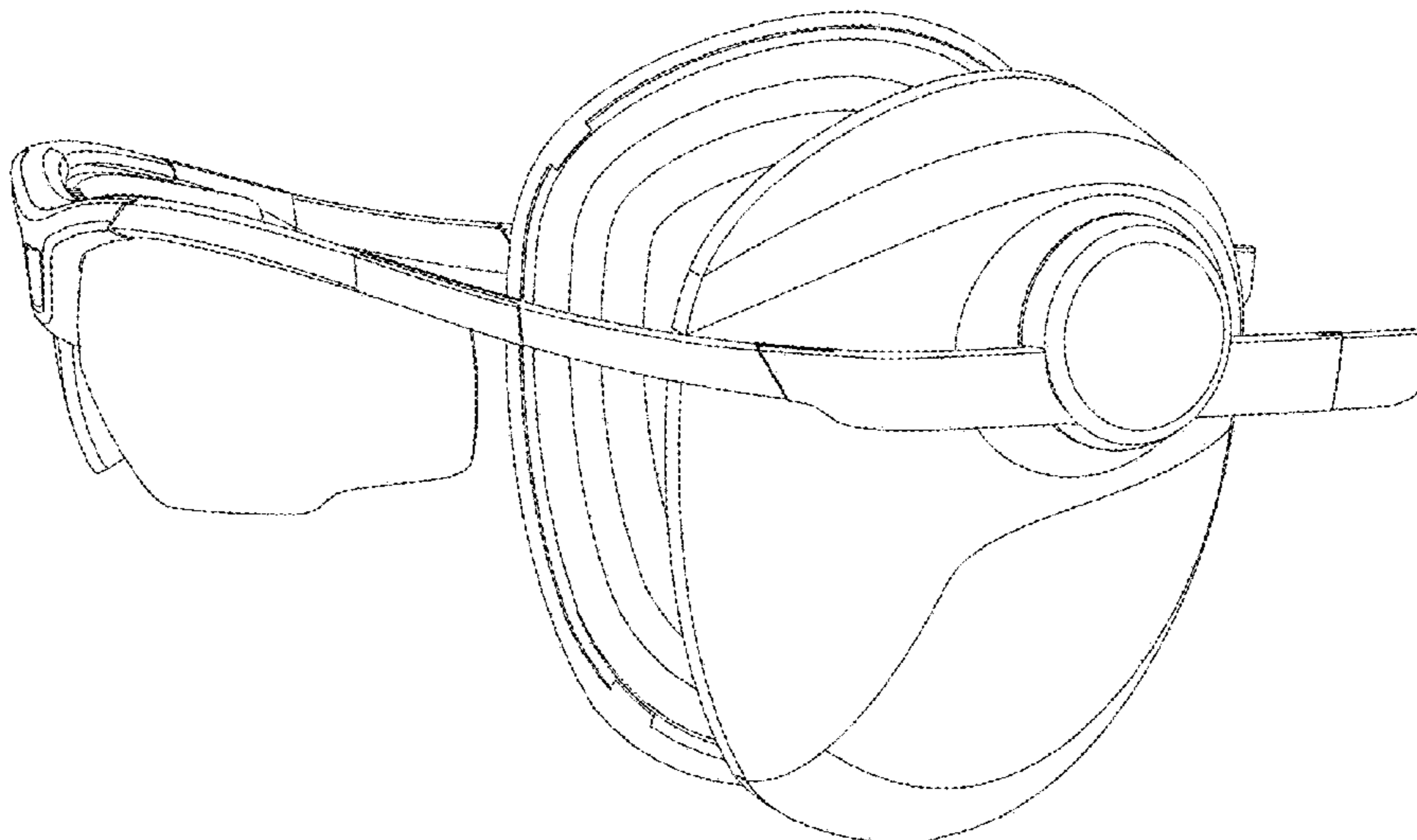
(57) **CLAIM**

The ornamental design for a combined ear muff and glasses,
as shown and described.

DESCRIPTION

FIG. 1 is a side perspective view of a combined ear muff and glasses, showing our new design;
FIG. 2 is a top view thereof;
FIG. 3 is a front view thereof;
FIG. 4 is a bottom view thereof;
FIG. 5 is a rear view thereof;
FIG. 6 is a front perspective view thereof, shown in an eye covering position;
FIG. 7 is another front perspective view thereof, shown in an overhead position;
FIG. 8 is a side view thereof, shown in a lowered position;
FIG. 9 is a side view thereof, shown in a raised position;
FIG. 10 is a side view thereof, shown in another raised position;
FIG. 11 is a side view thereof, shown in a first position along the glasses arm;
FIG. 12 is a side view thereof, shown in a second position along the glasses arm; and,
FIG. 13 is a side view thereof, shown in a third position along the glasses arm.

1 Claim, 13 Drawing Sheets



(56)

References Cited

U.S. PATENT DOCUMENTS

4,682,374 A * 7/1987 Geiser A61F 9/029
2/209
4,856,089 A * 8/1989 Horton A61F 9/025
455/351
D313,092 S * 12/1990 Nilsson D14/205
D317,167 S * 5/1991 Downey D16/314
5,092,667 A * 3/1992 Bagley G02C 11/00
351/123
5,133,596 A * 7/1992 Korny A61F 9/02
2/10
5,278,999 A * 1/1994 Brown A61F 9/025
2/10
D352,300 S * 11/1994 Gales D14/205
5,421,037 A * 6/1995 Schulze A41D 20/00
2/209
D371,150 S * 6/1996 Bolash, IV D16/339
D375,584 S * 11/1996 Westerdal D29/112
D385,665 S * 10/1997 Westerdal D29/112
5,718,002 A * 2/1998 Pavlak A61F 9/029
2/13
D404,174 S * 1/1999 Childs D29/109
D413,413 S * 8/1999 Dillon D14/205

D427,382 S * 6/2000 Leight D29/112
D428,620 S * 7/2000 Maturaporn 2/12
D434,191 S * 11/2000 Emilsson D29/112
D439,597 S * 3/2001 Marcum D16/101
D459,033 S * 6/2002 Dix D29/112
D459,034 S * 6/2002 Dix D29/112
D465,616 S * 11/2002 Nilsson A61F 11/14
D29/112
D485,854 S * 1/2004 Thomason D16/301
D509,323 S * 9/2005 Emilsson D29/112
D565,082 S * 3/2008 McClure D16/309
D581,601 S * 11/2008 Hodges D29/108
D651,764 S * 1/2012 Gresko A61F 11/14
D29/112
D663,900 S * 7/2012 Karlsson A61F 11/14
D29/112
D670,036 S * 10/2012 Folkesson D29/108
D688,294 S * 8/2013 Roy D16/309
8,621,664 B2 * 1/2014 Peebles A61F 9/029
2/10
8,732,864 B2 * 5/2014 Fountain A61F 11/14
2/209
D741,020 S * 10/2015 Fountain D29/109
D811,664 S * 2/2018 Knauer D29/109

* cited by examiner

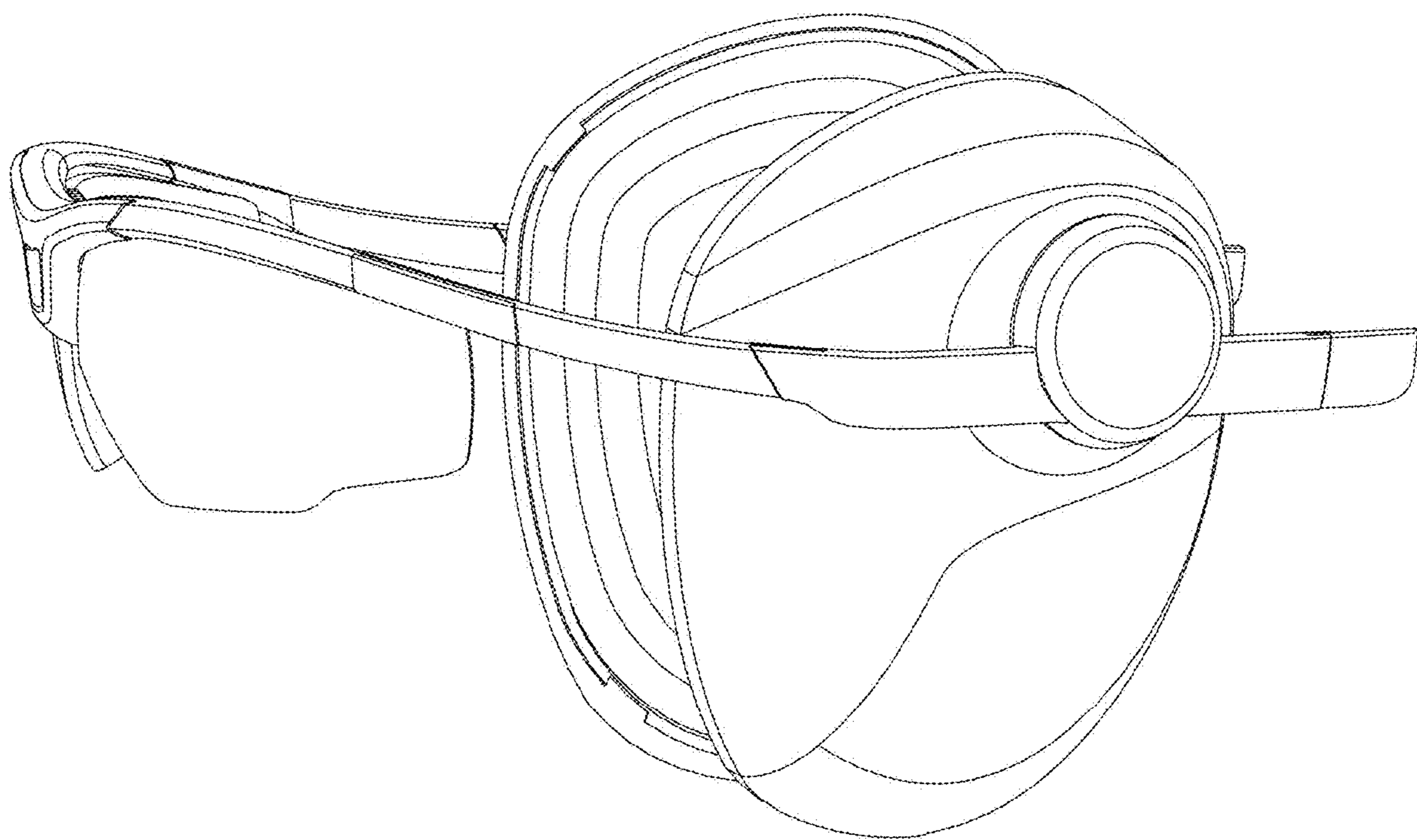


FIG. 1

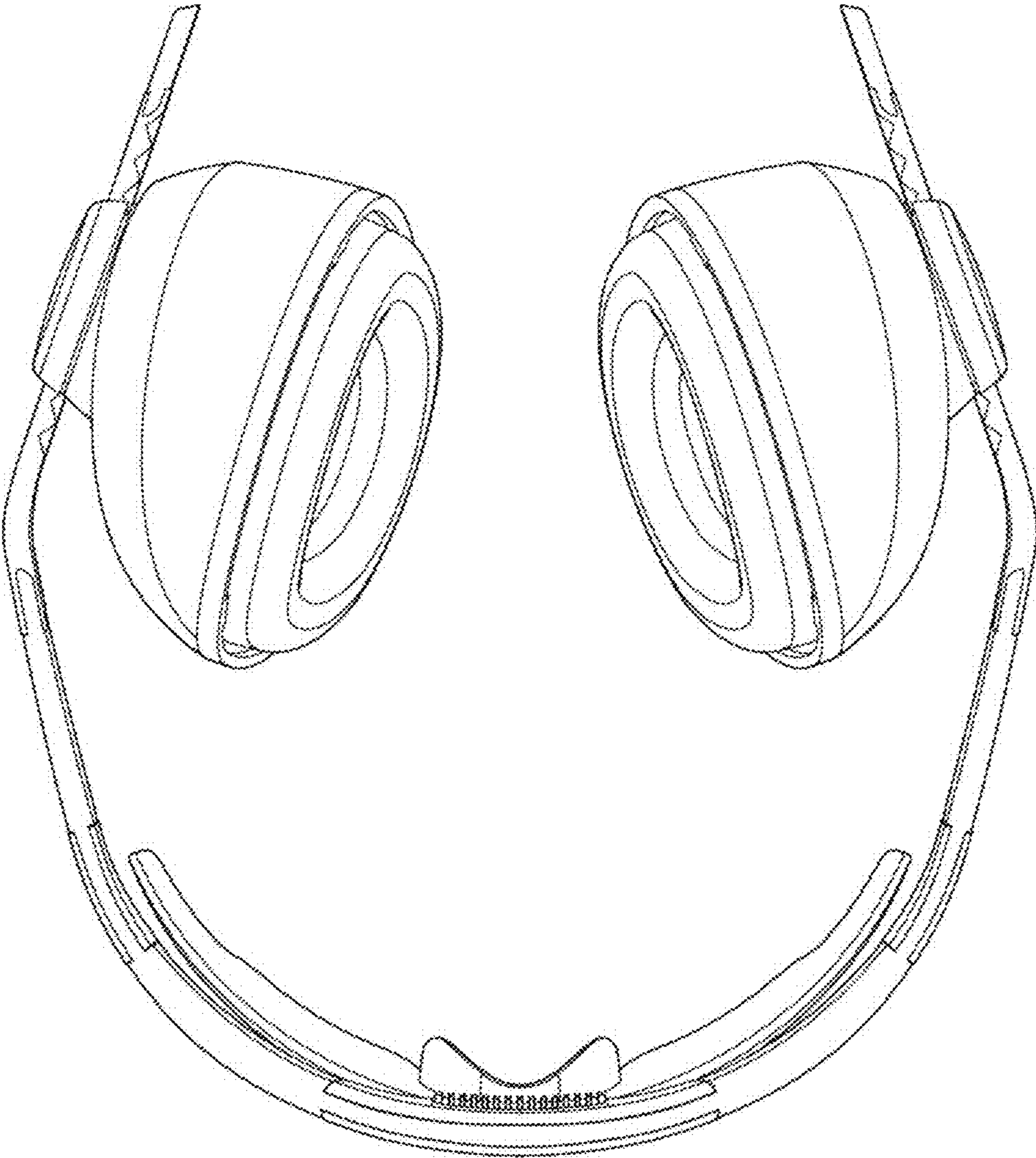


FIG. 2

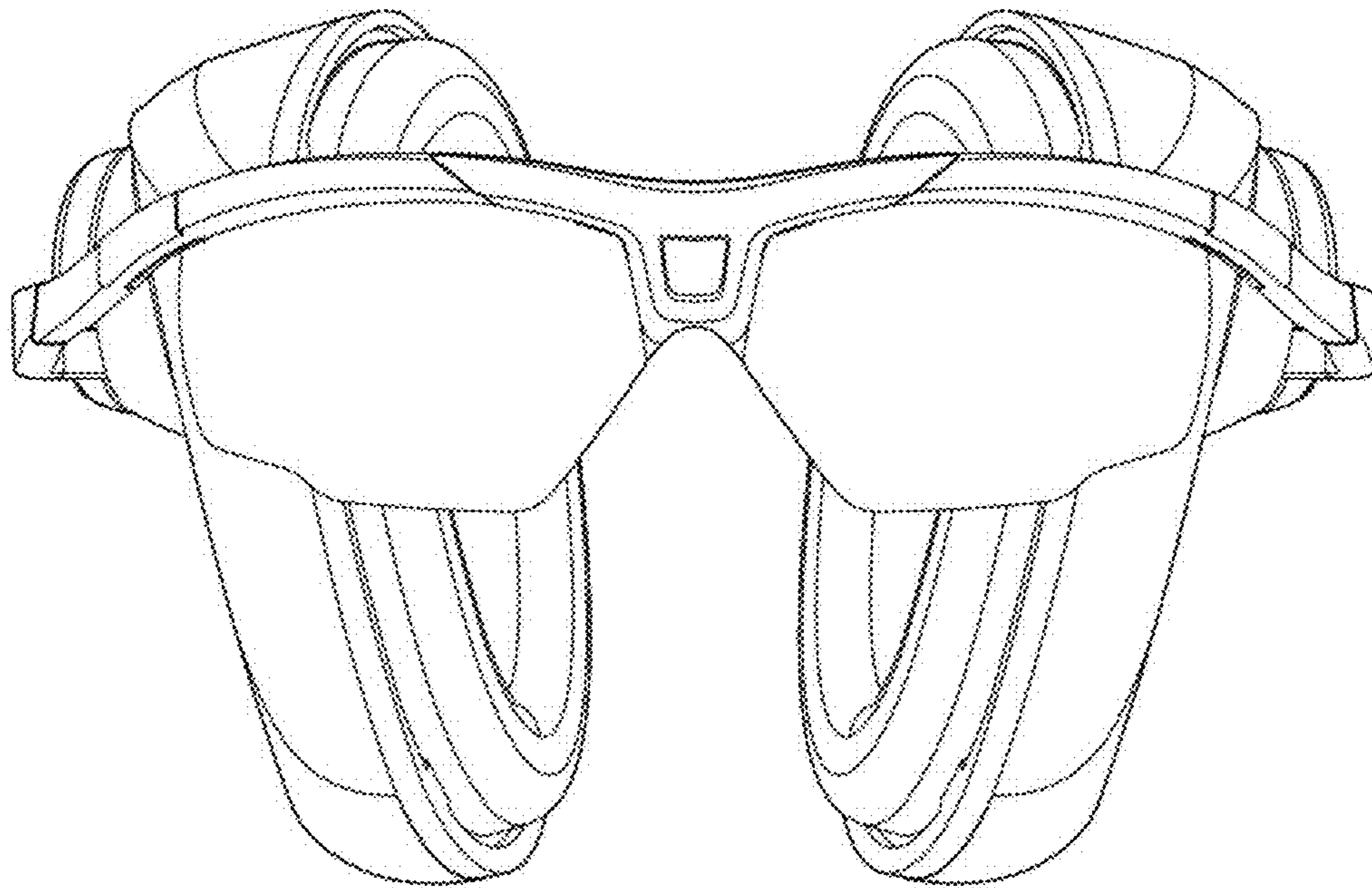


FIG. 3



FIG. 4

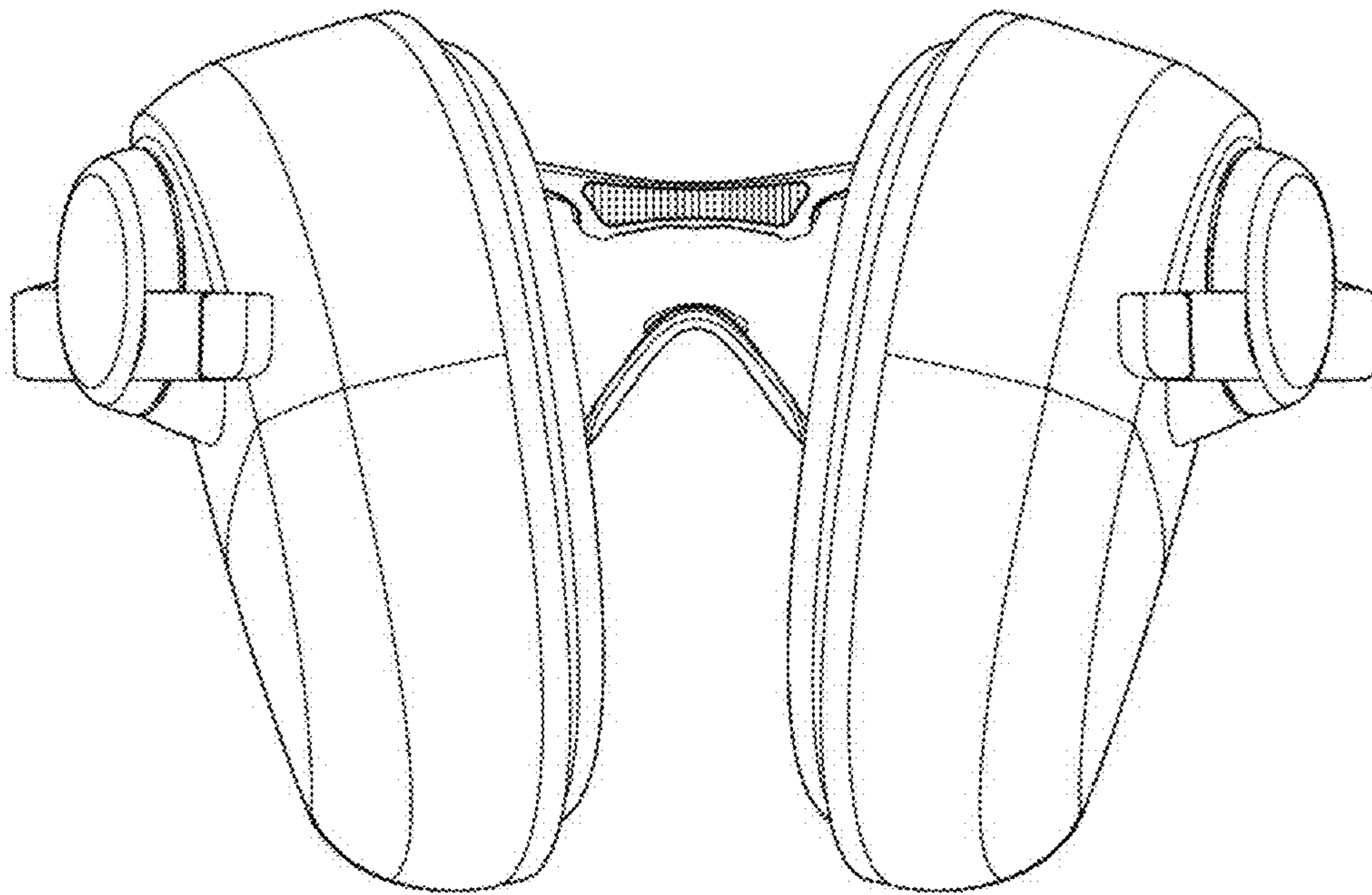


FIG. 5

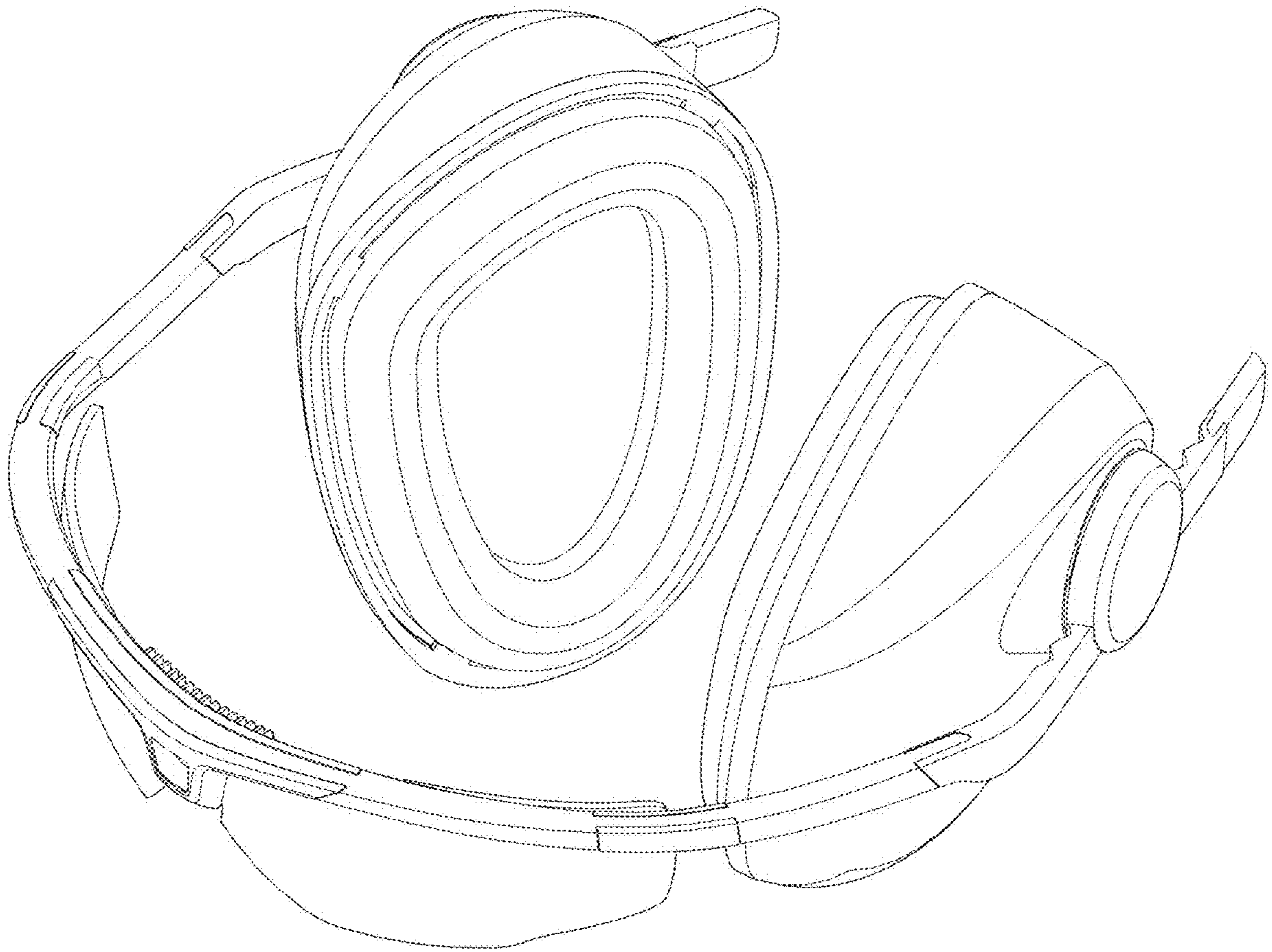


FIG. 6

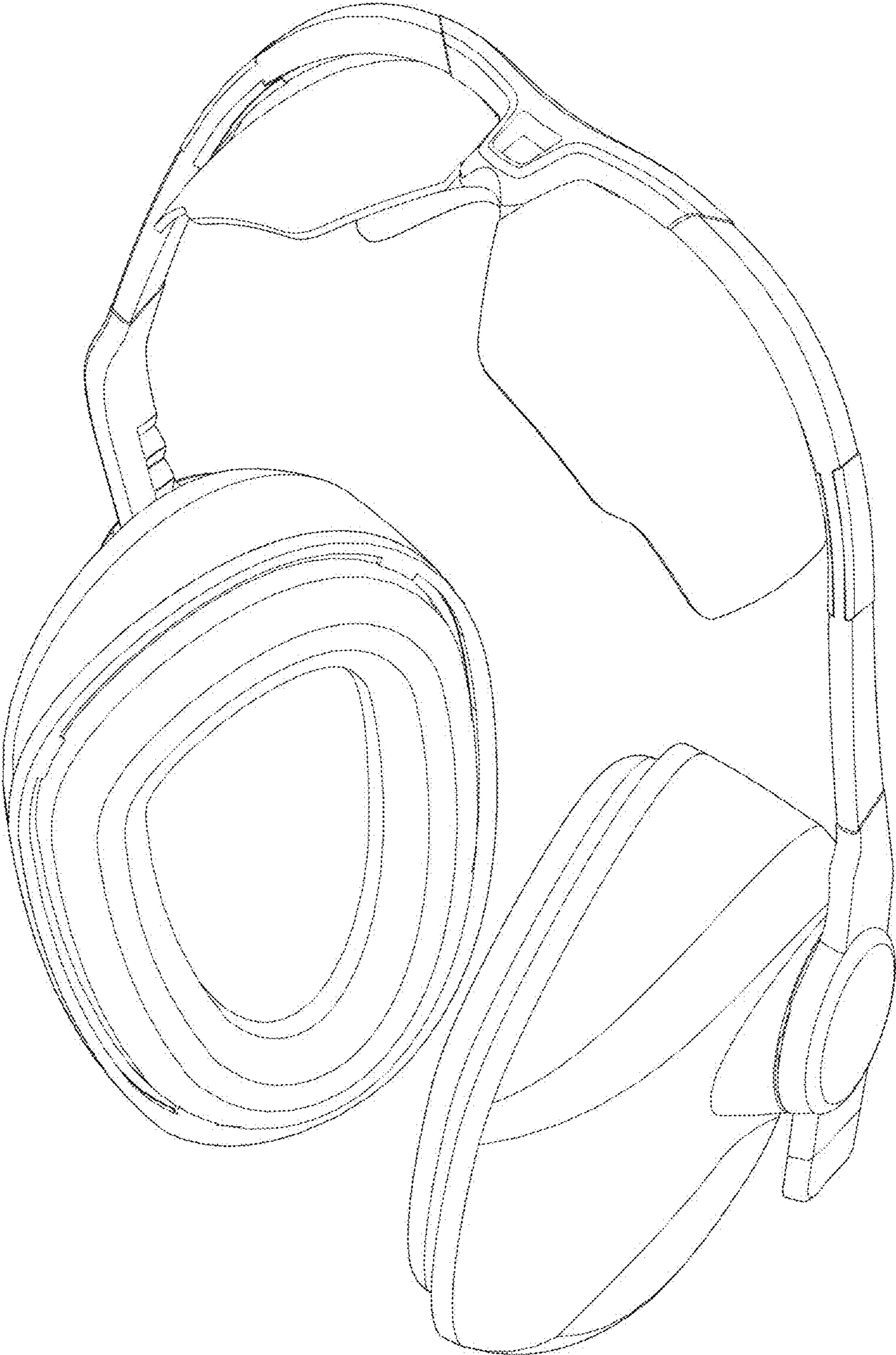


FIG. 7

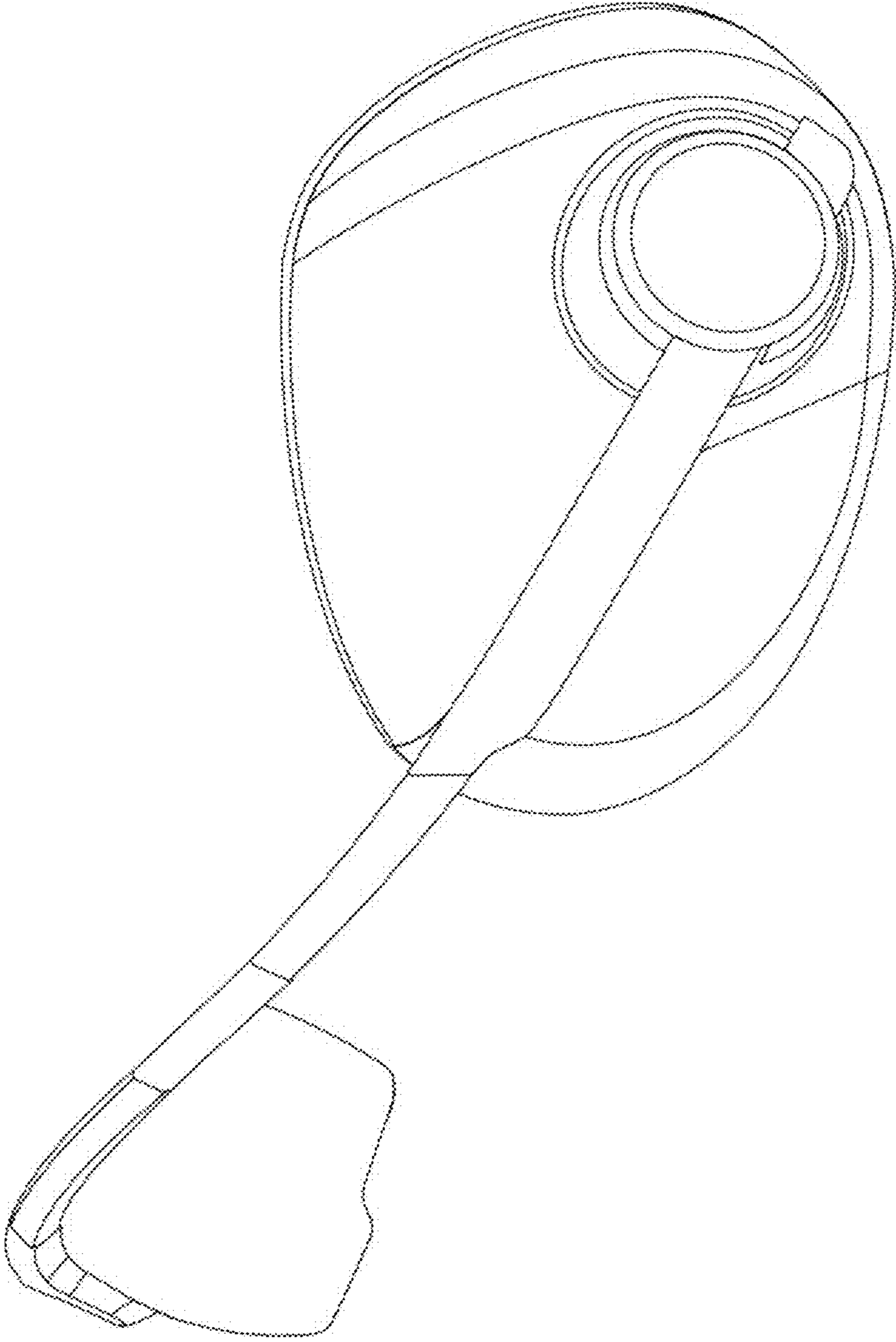


FIG. 8

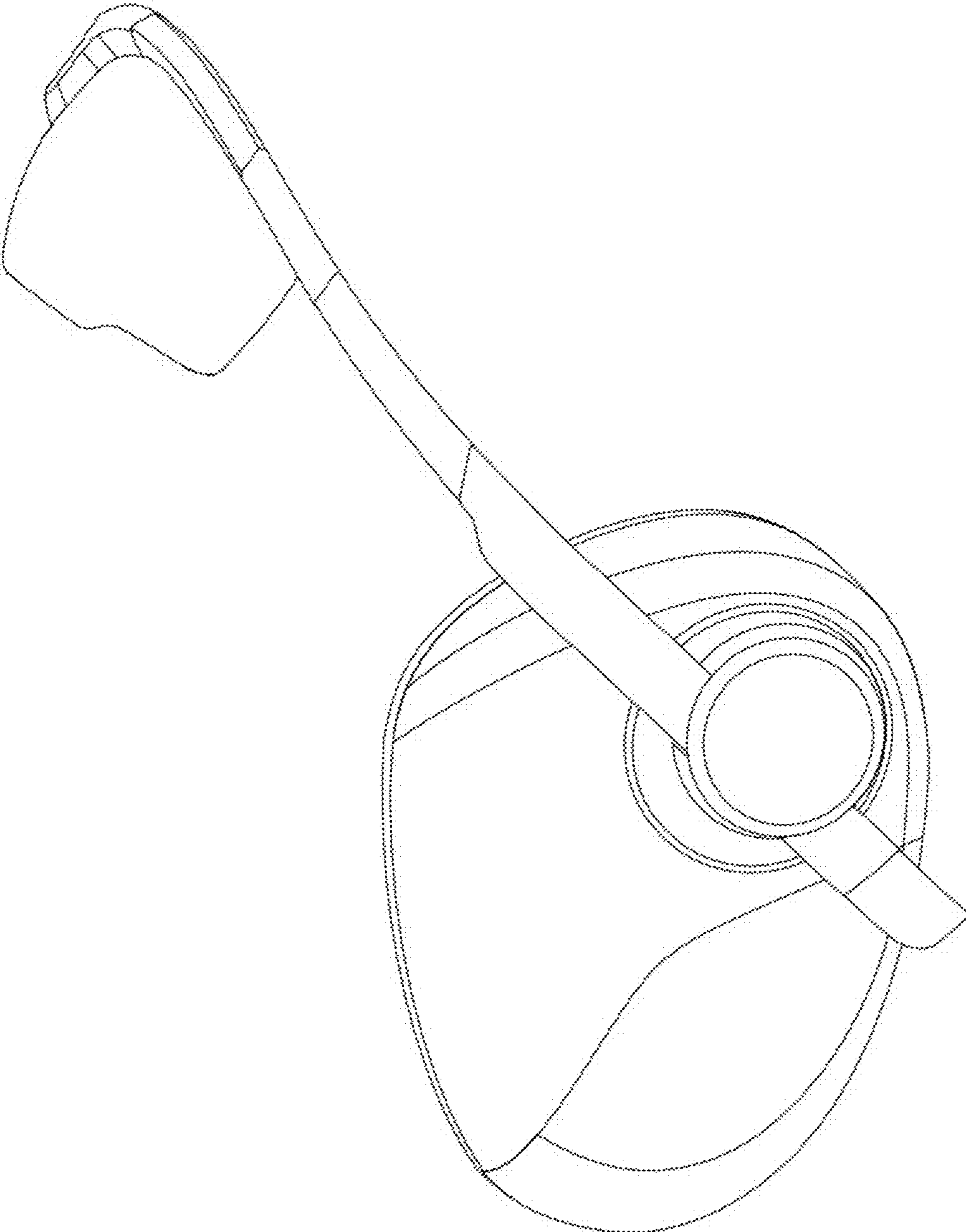


FIG. 9

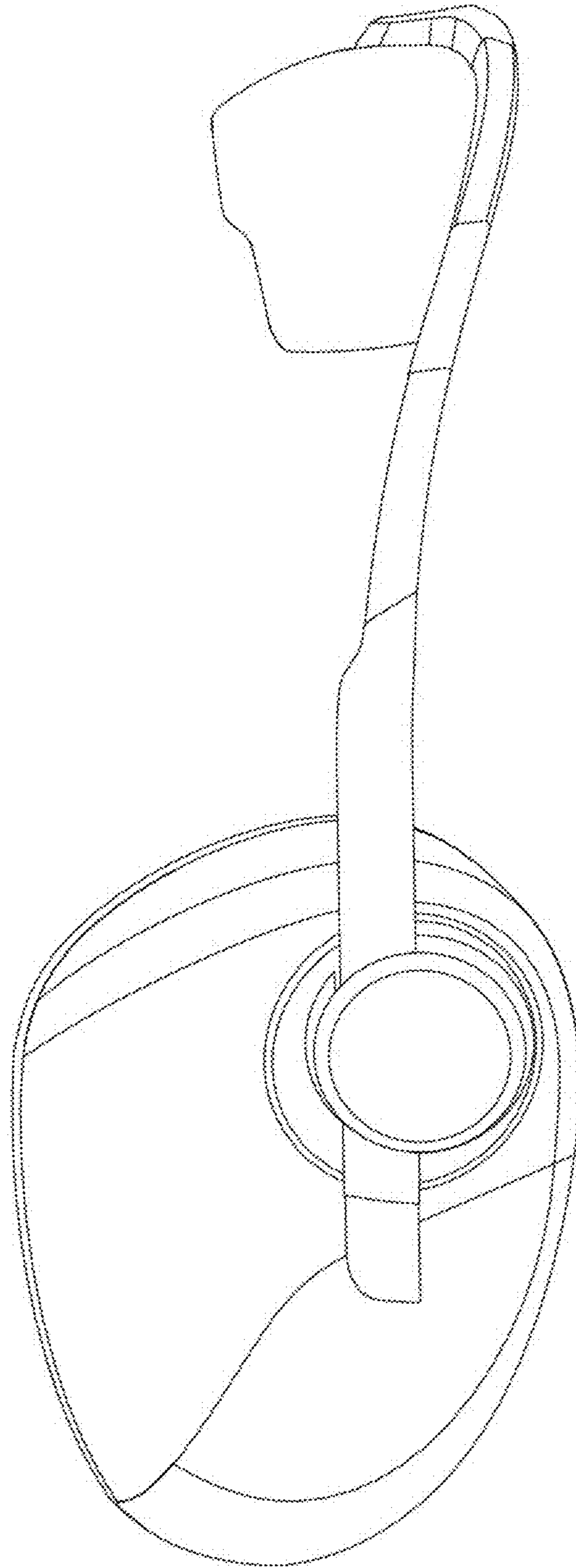


FIG. 10

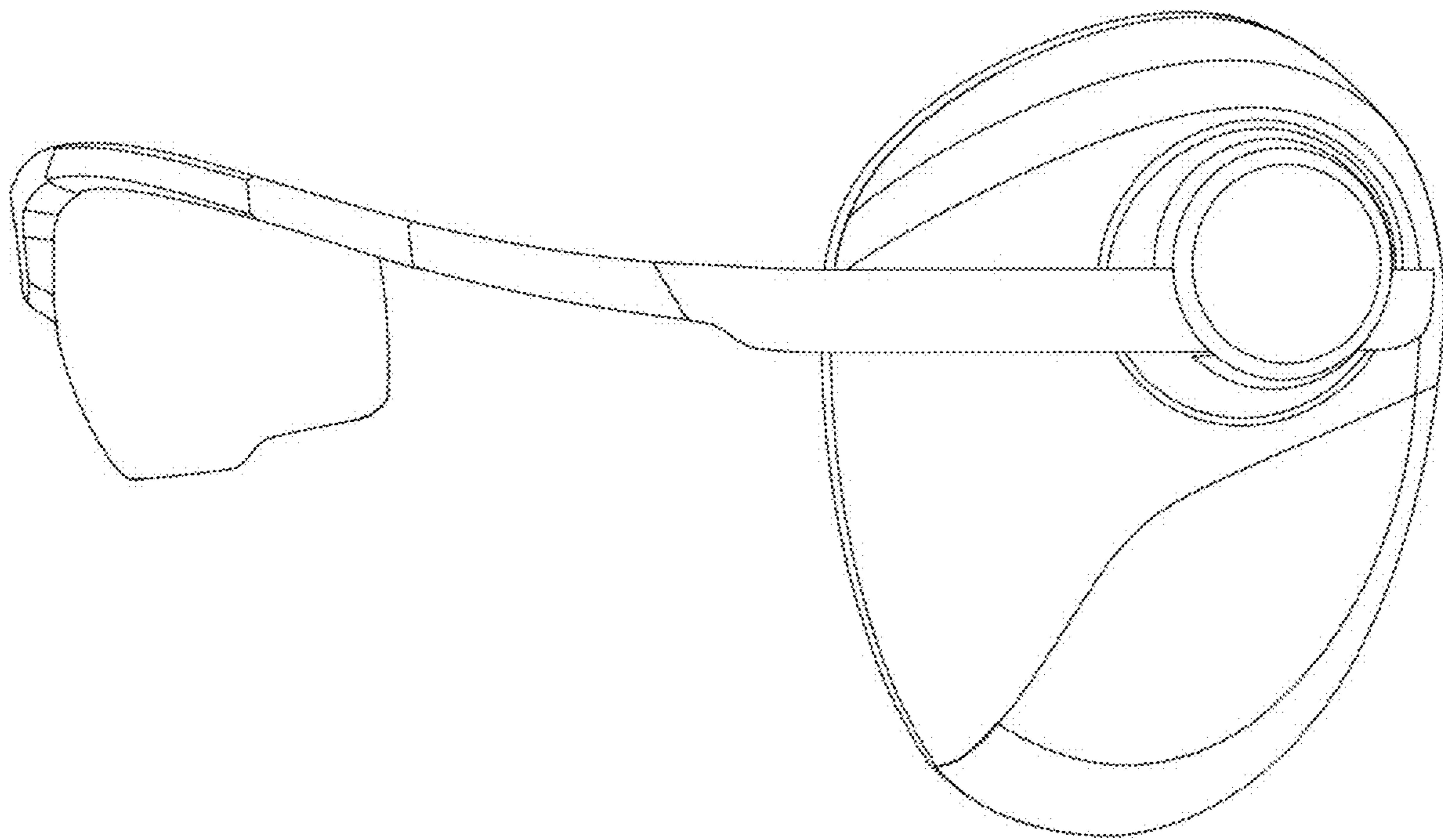


FIG. 11

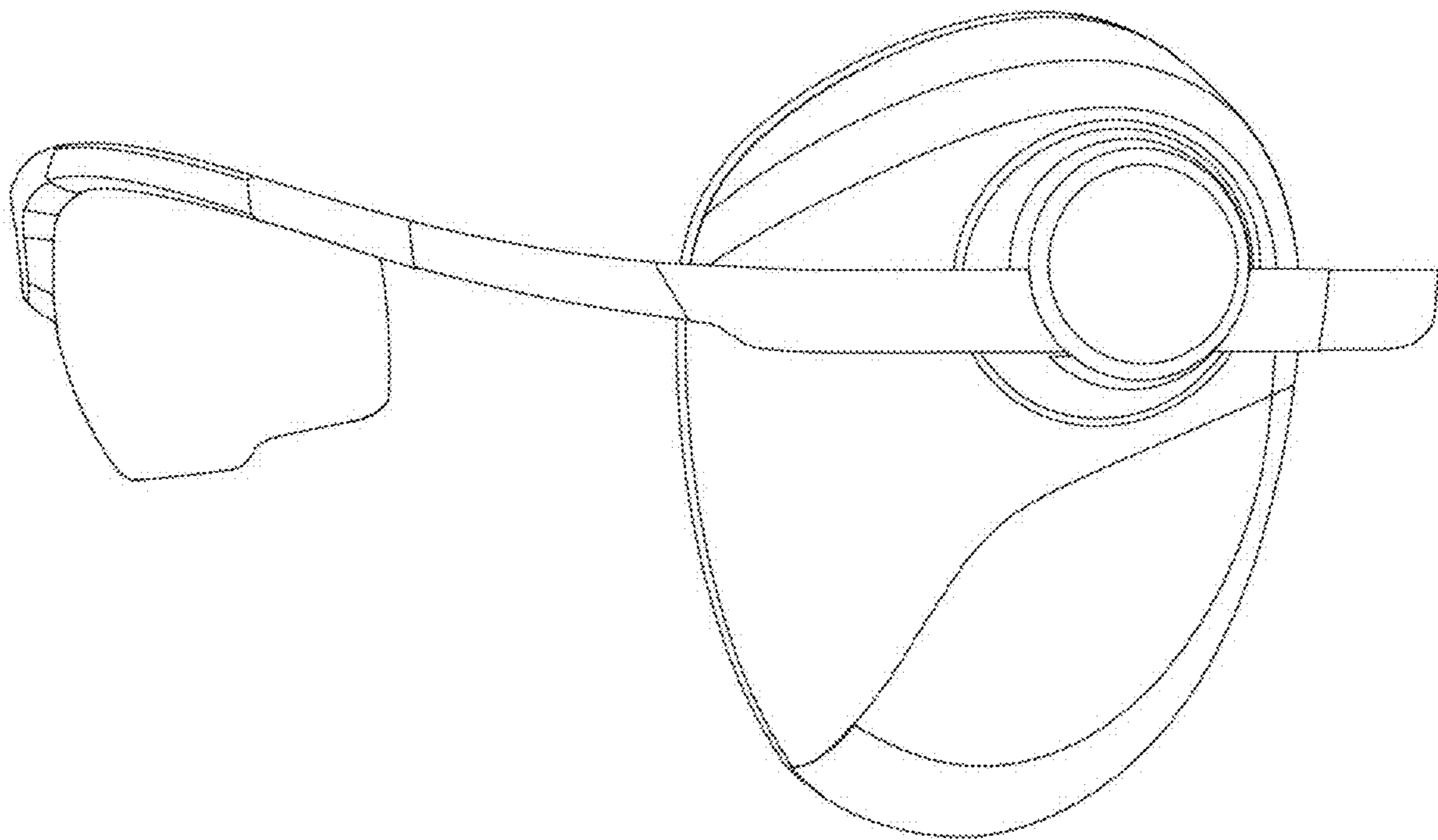


FIG. 12

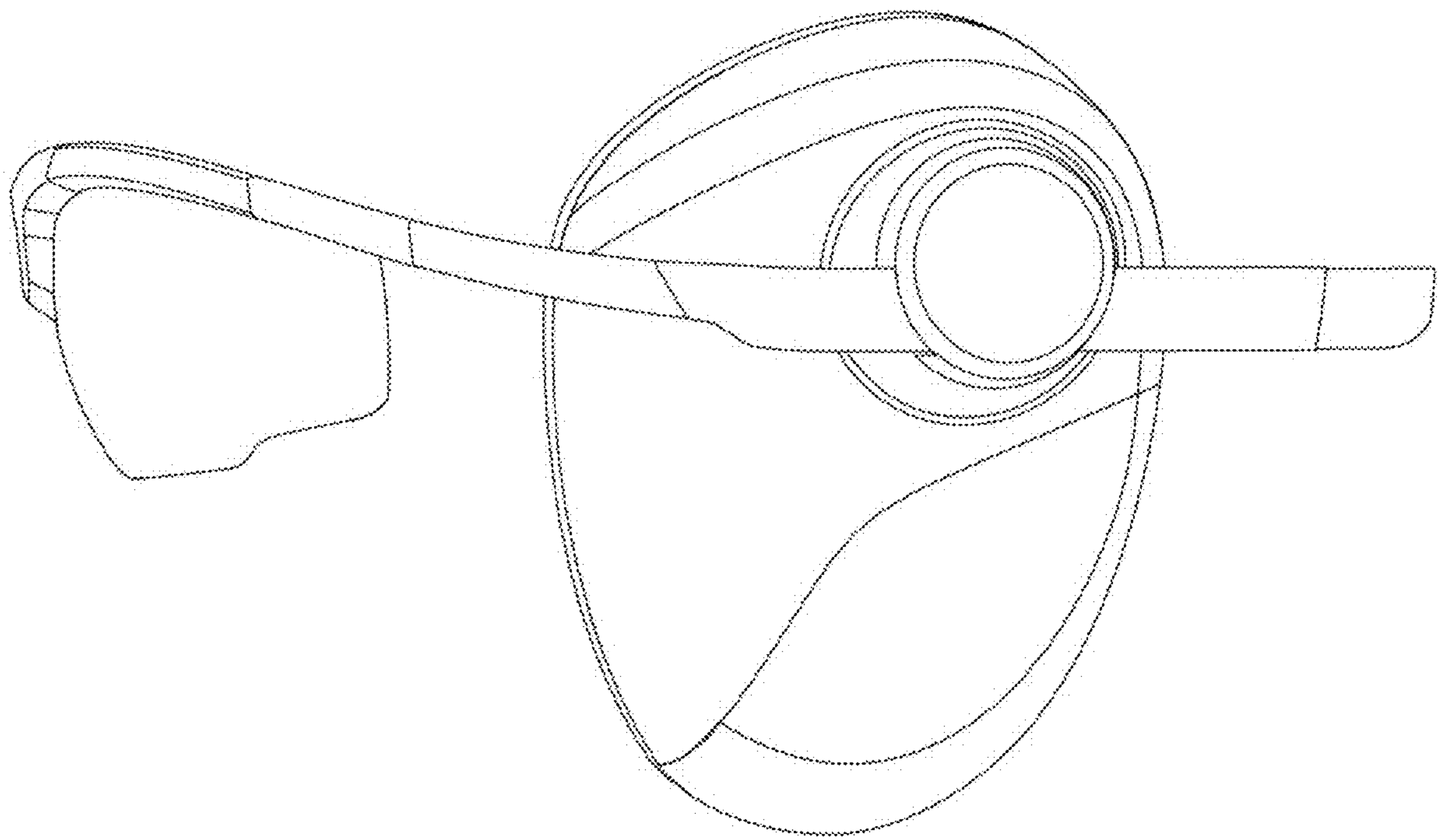


FIG. 13