



US00D889045S

(12) **United States Design Patent**
Golden

(10) **Patent No.:** **US D889,045 S**

(45) **Date of Patent:** **** Jun. 30, 2020**

- (54) **COSMETIC CONTAINER**
- (71) Applicant: **Golden Cosmetics, LLC**, Mullica Hill, NJ (US)
- (72) Inventor: **Loren A. Golden**, Mullica Hill, NJ (US)
- (73) Assignee: **GOLDEN COSMETICS, LLC**, Mullica Hill, NJ (US)

6,895,628	B1	5/2005	Anderson	
D524,488	S *	7/2006	Bouix	D28/76
7,163,016	B2	1/2007	Kingsford et al.	
D539,984	S	4/2007	Egawa	
D585,599	S	1/2009	Mongeon et al.	
D586,047	S *	2/2009	Hartstock	D28/7
8,156,949	B2 *	4/2012	Albert	A45D 33/26 132/297
8,210,347	B2	7/2012	McLaughlin	
9,095,199	B2 *	8/2015	Chen	A45D 40/26
D739,084	S	9/2015	Hall	

(Continued)

(**) Term: **15 Years**

(21) Appl. No.: **29/650,871**

(22) Filed: **Jun. 11, 2018**

(51) **LOC (12) Cl.** **28-03**

(52) **U.S. Cl.**
USPC **D28/76**

(58) **Field of Classification Search**
USPC D28/76, 77, 85, 86, 88, 99; D19/115,
D19/116, 123, 159
CPC A45D 33/22; A45D 33/24; A45D 33/26;
A45D 33/28; A45D 40/00; A45D 40/20;
A45D 40/24

See application file for complete search history.

(56) **References Cited**

U.S. PATENT DOCUMENTS

2,577,577	A *	12/1951	Groh	A45D 40/02 401/83
3,001,531	A	9/1961	Gazdik	
D307,196	S *	4/1990	McClure	D28/78
D321,717	S *	11/1991	Hager	401/17
D333,014	S *	2/1993	Lang	D28/76
D389,066	S *	1/1998	Lang	D28/76
5,881,742	A	3/1999	Hunsberger	
6,106,179	A *	8/2000	Kuo	B43K 24/146 401/30
D467,039	S	12/2002	Fuller	
6,568,529	B2	5/2003	McMurrey	
6,637,963	B2	10/2003	Huang	

OTHER PUBLICATIONS

4-Colour All-in-One Pen; <https://www.clarinsusa.com/en/4-colour-all-in-one-pen/C070400049.html>; 5 pages; Jun. 11, 2018.

Primary Examiner — Jennifer Rivard

Assistant Examiner — Alison M Ofstun

(74) *Attorney, Agent, or Firm* — Dickinson Wright PLLC

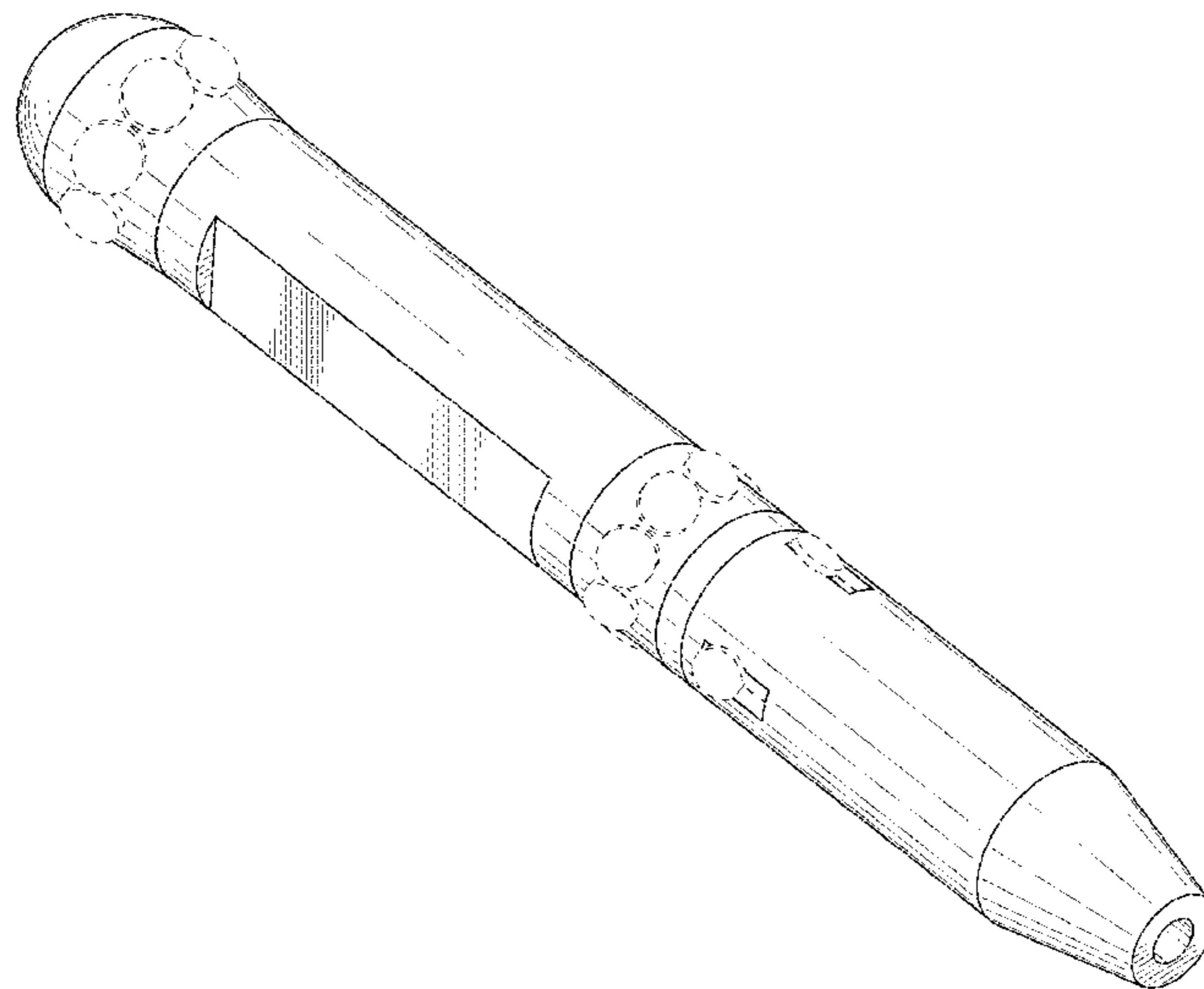
(57) **CLAIM**

The ornamental design for a cosmetic container, as shown and described.

DESCRIPTION

FIG. 1 is an isometric view of a cosmetic container; FIG. 2 is a front view of the cosmetic container; FIG. 3 is a rear view of the cosmetic container; FIG. 4 is a right side view of the cosmetic container; FIG. 5 is a left side view of the cosmetic container; FIG. 6 is a top view of the cosmetic container; FIG. 7 is a bottom view of the cosmetic container; FIG. 8 is a first exploded isometric view of the cosmetic container; and, FIG. 9 is a second exploded isometric view of the cosmetic container. In the drawings the broken lines illustrate portions of the article which form no part of the claimed design.

1 Claim, 6 Drawing Sheets



(56)

References Cited

U.S. PATENT DOCUMENTS

D758,668 S * 6/2016 Bonnin D28/7
D761,123 S * 7/2016 Breidenbach D28/7
D790,135 S 6/2017 Macaluso et al.
9,738,113 B2 * 8/2017 Tani B43K 24/163
9,820,552 B2 11/2017 Frymire
9,867,444 B1 * 1/2018 Liu A45D 34/042
D855,892 S * 8/2019 Lee D28/88
D865,281 S * 10/2019 Robinson D28/7
2006/0165470 A1 * 7/2006 Gerules B43K 23/06
401/18
2013/0025614 A1 1/2013 Morgan
2017/0013941 A1 * 1/2017 Frymire A45D 40/261
2017/0367462 A1 * 12/2017 Samain A45D 40/00
2019/0275828 A1 * 9/2019 Rolion B43K 27/00
2019/0298032 A1 * 10/2019 Mahmood A45D 34/04

* cited by examiner

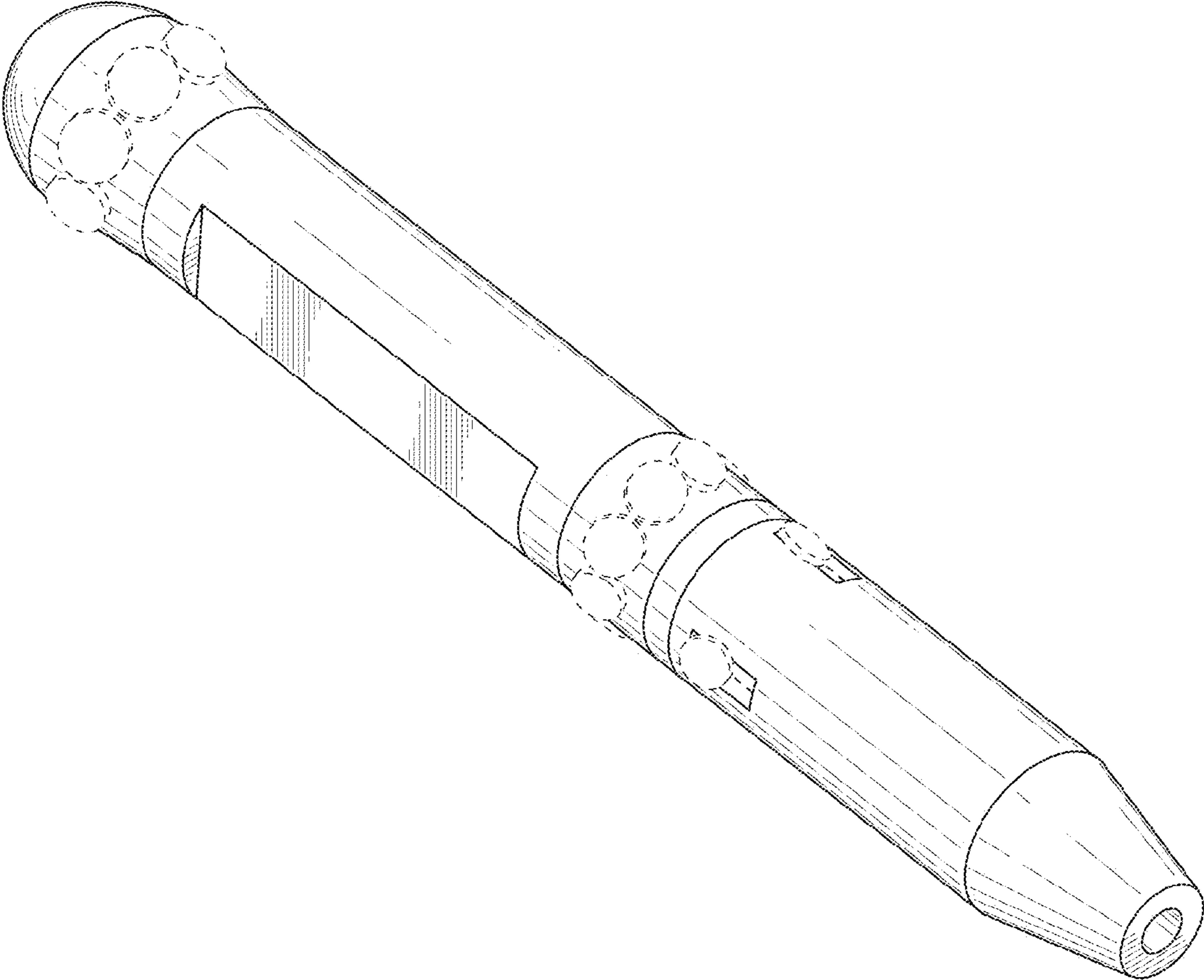


FIG. 1

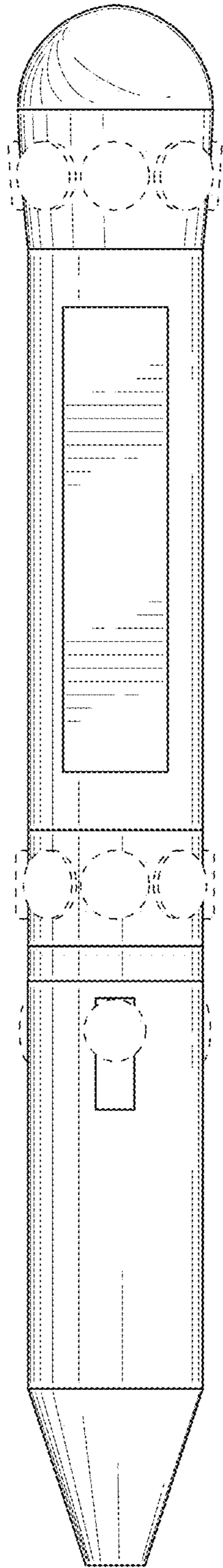


FIG. 2

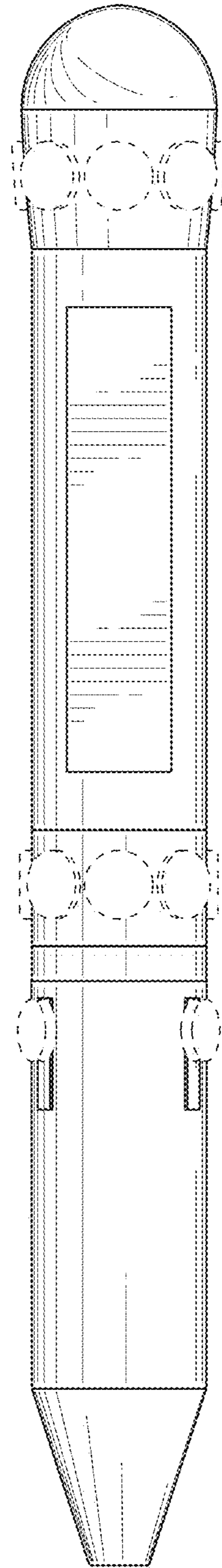


FIG. 3

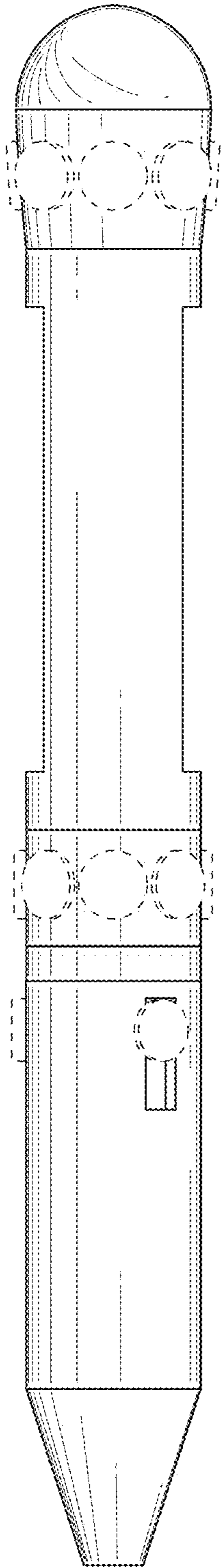


FIG. 4

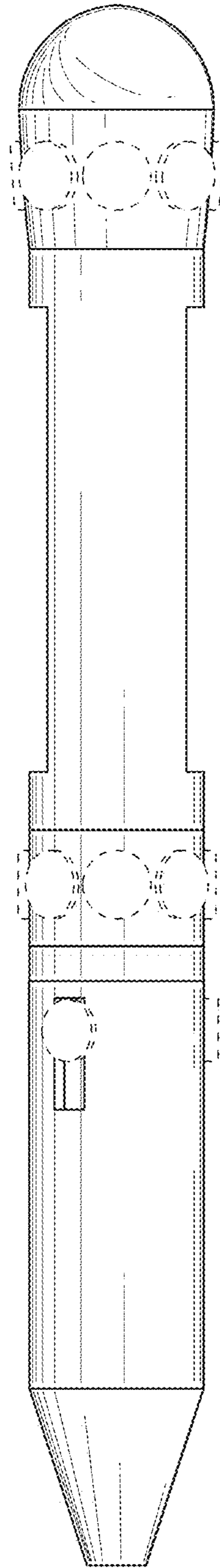


FIG. 5

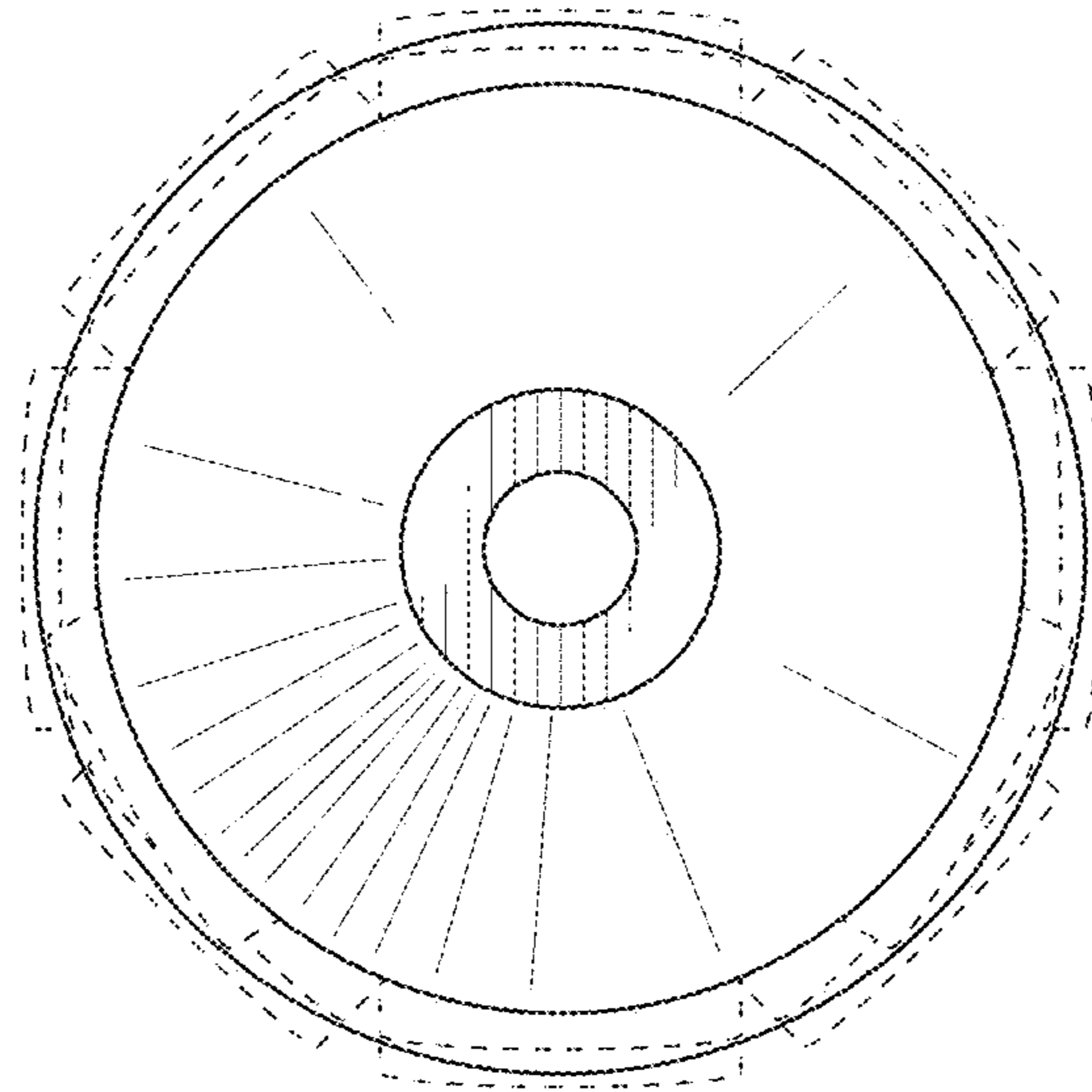


FIG. 6

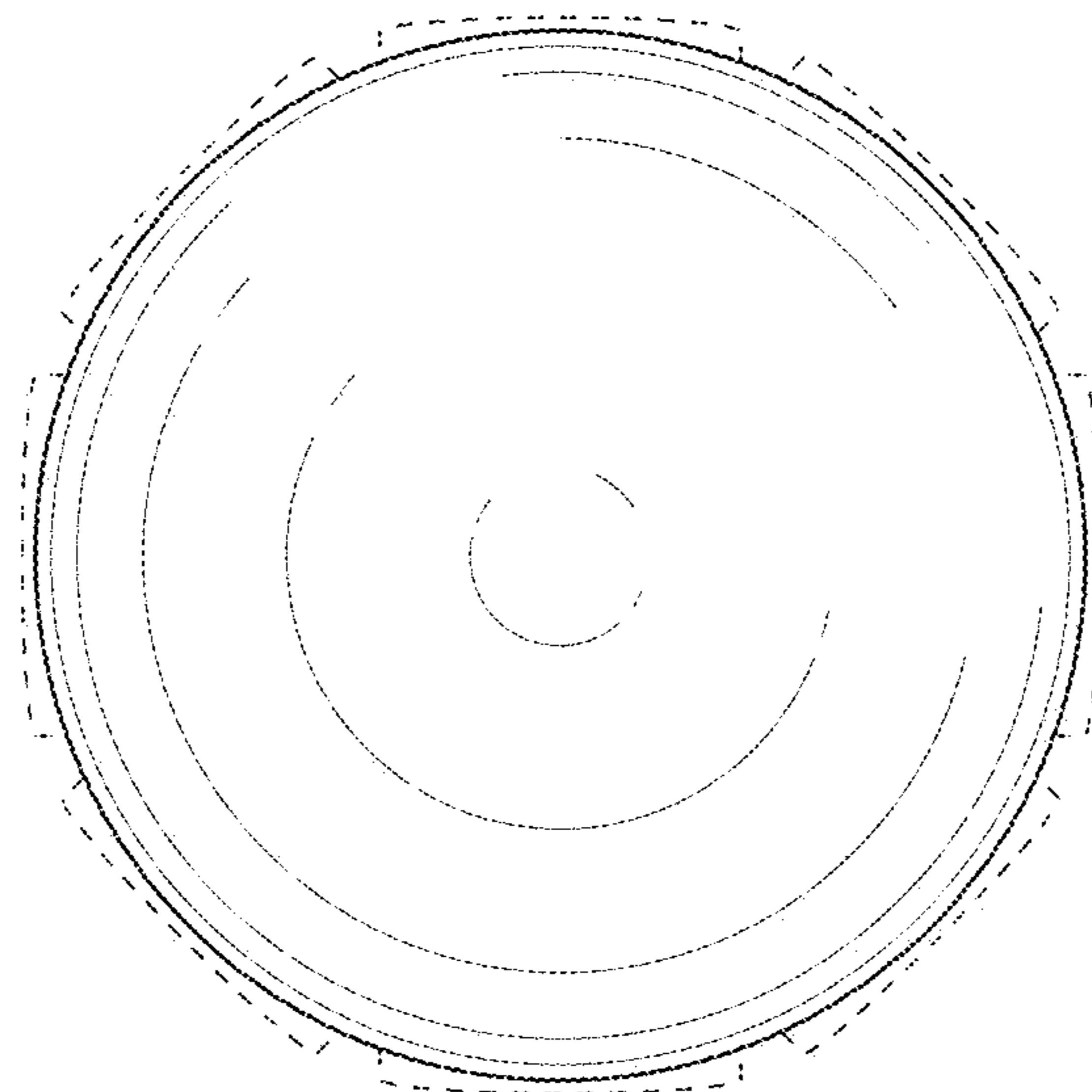


FIG. 7

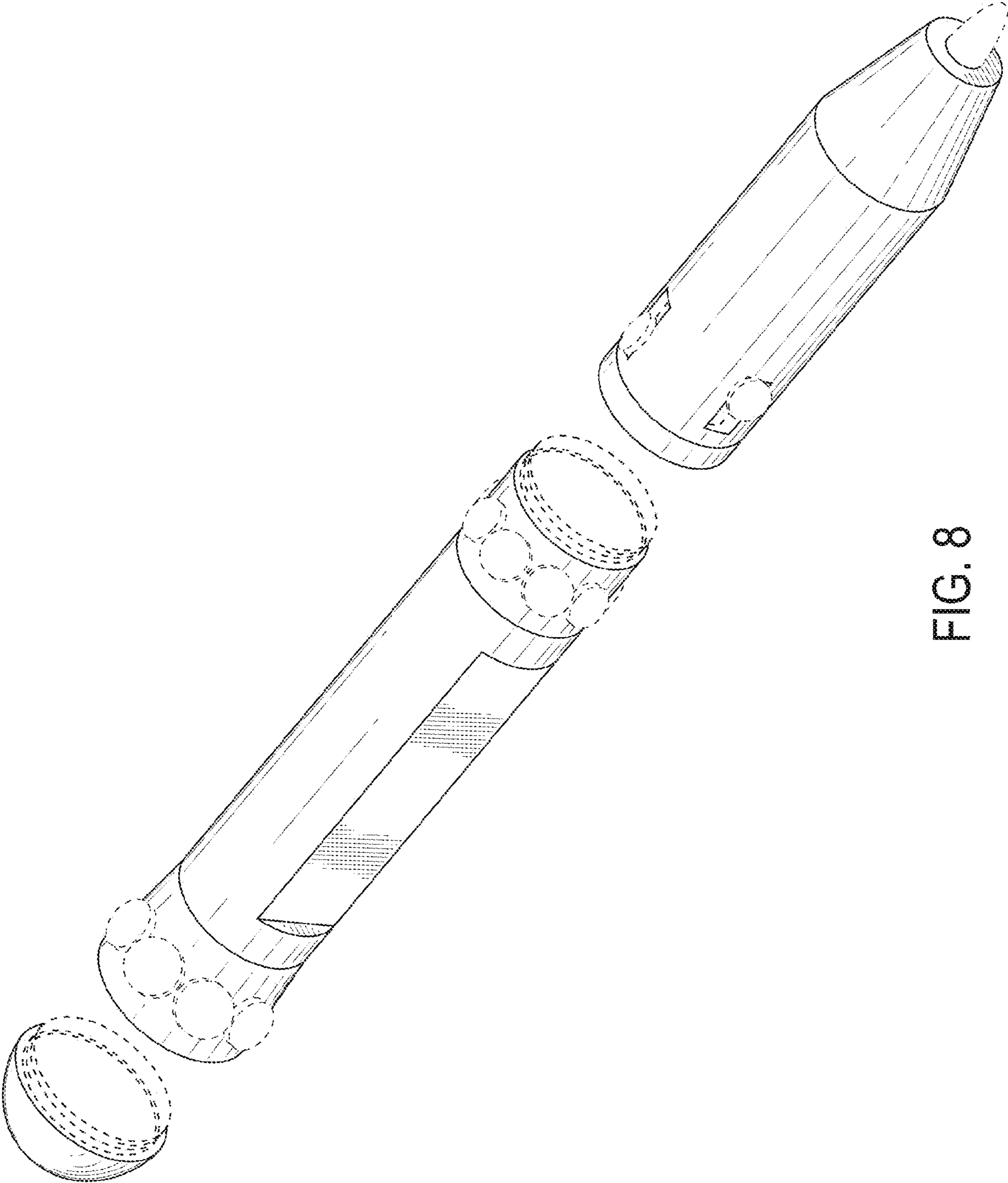


FIG. 8

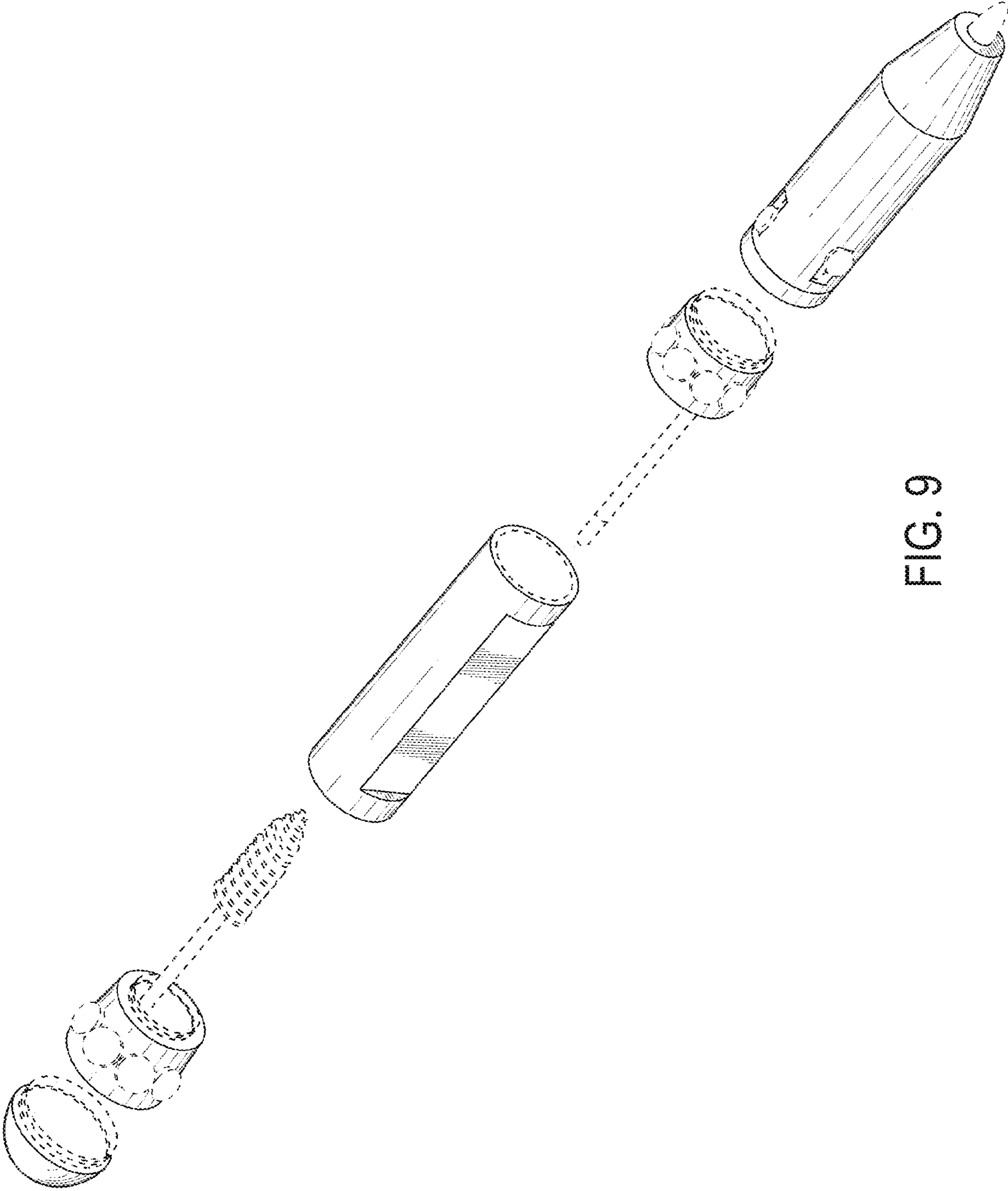


FIG. 9