



US00D889044S

(12) **United States Design Patent**
Wang

(10) **Patent No.:** **US D889,044 S**
(45) **Date of Patent:** **** Jun. 30, 2020**

(54) **HAND DRYER**

(71) Applicant: **Penson & Co. LLC**, Shanghai (CN)

(72) Inventor: **Jinhai Wang**, Wenzhou (CN)

(73) Assignee: **PENSON & CO. LLC**, Shanghai (CN)

(**) Term: **15 Years**

(21) Appl. No.: **29/654,832**

(22) Filed: **Jun. 27, 2018**

(51) **LOC (12) Cl.** **28-03**

(52) **U.S. Cl.**
USPC **D28/54.1**

(58) **Field of Classification Search**
USPC D28/7, 8, 8.1, 8.2, 9, 20, 48, 54.1, 63,
D28/73, 76, 77, 78, 82

CPC A45D 33/00; A45D 33/001; A45D 33/003;
A45D 33/006; A45D 33/02; A45D 33/18;
A45D 33/22; A45D 40/26; A45D 40/261;
A45D 40/28; A45D 44/08; A45D 44/10;
A45D 2200/20; A45D 2200/207; A45D
2200/1009; A45D 2200/1054; A45D
2200/1063; A45D 2200/1081; A45D
2200/109; A46B 2200/00; A46B 2200/10;
A46B 2200/102; A46B 2200/1046; A46B
5/00; A46B 5/02; A46B 5/021; A46B
5/023; A46B 5/025; A46B 5/026; A46B
5/028; A46B 5/0095; A46B 7/00; A46B
7/02; A46B 7/023; A47K 7/00; A47K
7/02; A47K 7/06; A47K 7/08; A47K
5/00; A47K 5/12; A47K 5/1218; A47K
10/48; A47K 10/24; A47K 10/00; A47K
2210/00; A47K 2201/00; A47K 2201/02;
A47K 4/00; A47K 2010/3668; E03C
1/01; E03C 1/057; F26B 9/00

See application file for complete search history.

(56) **References Cited**

U.S. PATENT DOCUMENTS

5,706,986 A * 1/1998 Brandenburg A47K 10/38
222/192
D415,857 S * 10/1999 Ayre D28/54.1
D432,266 S * 10/2000 Lefebvre D28/54.1
D543,661 S * 5/2007 Liao D28/54.1
D599,059 S * 8/2009 Clerch A47K 10/48
D28/54.1

(Continued)

FOREIGN PATENT DOCUMENTS

DE 102004018033 A1 * 11/2005 G06F 3/147

OTHER PUBLICATIONS

Penson & Co. K2017 High Speed 1800W Fast 90m/s Dry Hot
Stainless Steel Chrome Automatic Hand Dryer, announced Jul. 10,
2018 [online], retrieved Jan. 29, 2020, retrieved from internet,
[https://www.amazon.com/PENSON-CO-K2017-Stainless-Commercial/
dp/B0794YJVK7](https://www.amazon.com/PENSON-CO-K2017-Stainless-Commercial/dp/B0794YJVK7).*

(Continued)

Primary Examiner — Michelle E. Wilson
Assistant Examiner — Messina L Smith
(74) *Attorney, Agent, or Firm* — Perkins Coie LLP

(57) **CLAIM**

The ornamental design for a hand dryer, as shown and
described.

DESCRIPTION

FIG. 1 is a top perspective view of a hand dryer, showing the
new design;
FIG. 2 is a bottom perspective view of the hand dryer;
FIG. 3 is a front elevational view of the hand dryer;
FIG. 4 is a rear elevational view of the hand dryer;

(Continued)

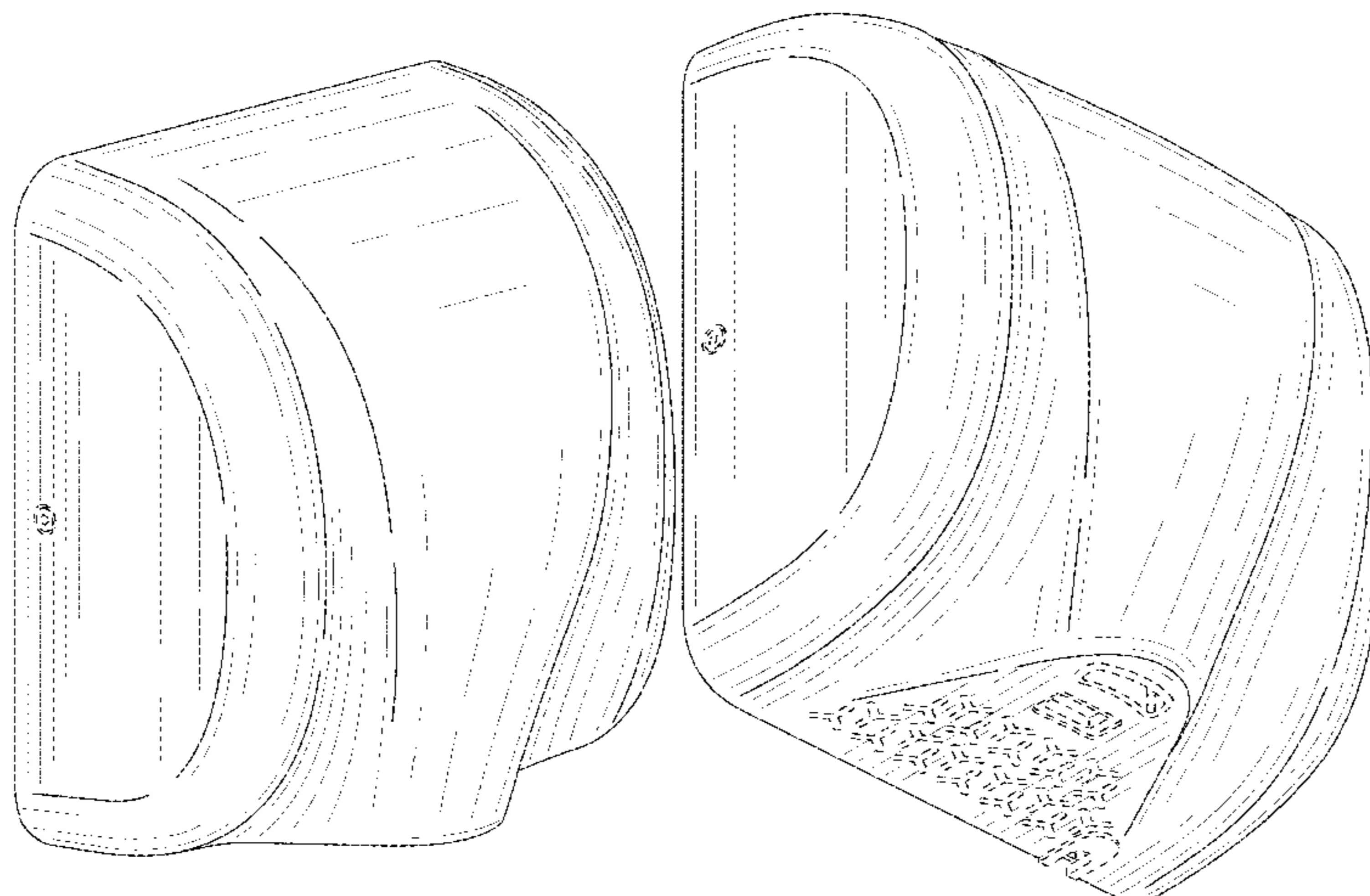


FIG. 5 is a left side elevational view of the hand dryer; FIG. 6 is a right side elevational view of the hand dryer; FIG. 7 is a top plan view of the hand dryer; and, FIG. 8 is a bottom plan view of the hand dryer. The broken lines shown in the drawings depict portions of the hand dryer that form no part of the claimed design.

1 Claim, 8 Drawing Sheets

(56)

References Cited

U.S. PATENT DOCUMENTS

D600,856 S *	9/2009	Robert	D28/54.1
D622,908 S *	8/2010	Sau Clerch	D28/54.1
D646,850 S *	10/2011	Curzon	A47K 10/48
				D28/54.1
D652,988 S *	1/2012	Schumann	D28/19
D762,008 S *	7/2016	Pristatskiy	D28/54.1
D776,352 S *	1/2017	Gagnon	D28/54.1

D830,636 S *	10/2018	Loong	D28/54.1
D841,248 S *	2/2019	Li	D28/54.1
D853,030 S *	7/2019	Fujigaya	D28/54.1
D871,672 S *	12/2019	Hongfei	D28/54.1
2009/0044420 A1 *	2/2009	Hsu	A47K 10/48
				34/88
2010/0269653 A1 *	10/2010	Larsson	A47K 10/3625
				83/72
2012/0085776 A1 *	4/2012	Babikian	H03K 17/955
				221/13
2014/0291437 A1 *	10/2014	Corley	A47K 10/36
				242/563
2019/0357735 A1 *	11/2019	Wise	A47K 5/12

OTHER PUBLICATIONS

Penson & Co High Speed Automatic Commercial Hand Dryer Stainless Steel, announced May 30, 2019 [online], retrieved Jan. 29, 2020, retrieved from internet, <https://penon.us/products/high-speed-automatic-commercial-hand-dryer-stainless-steel-2017>.*

* cited by examiner

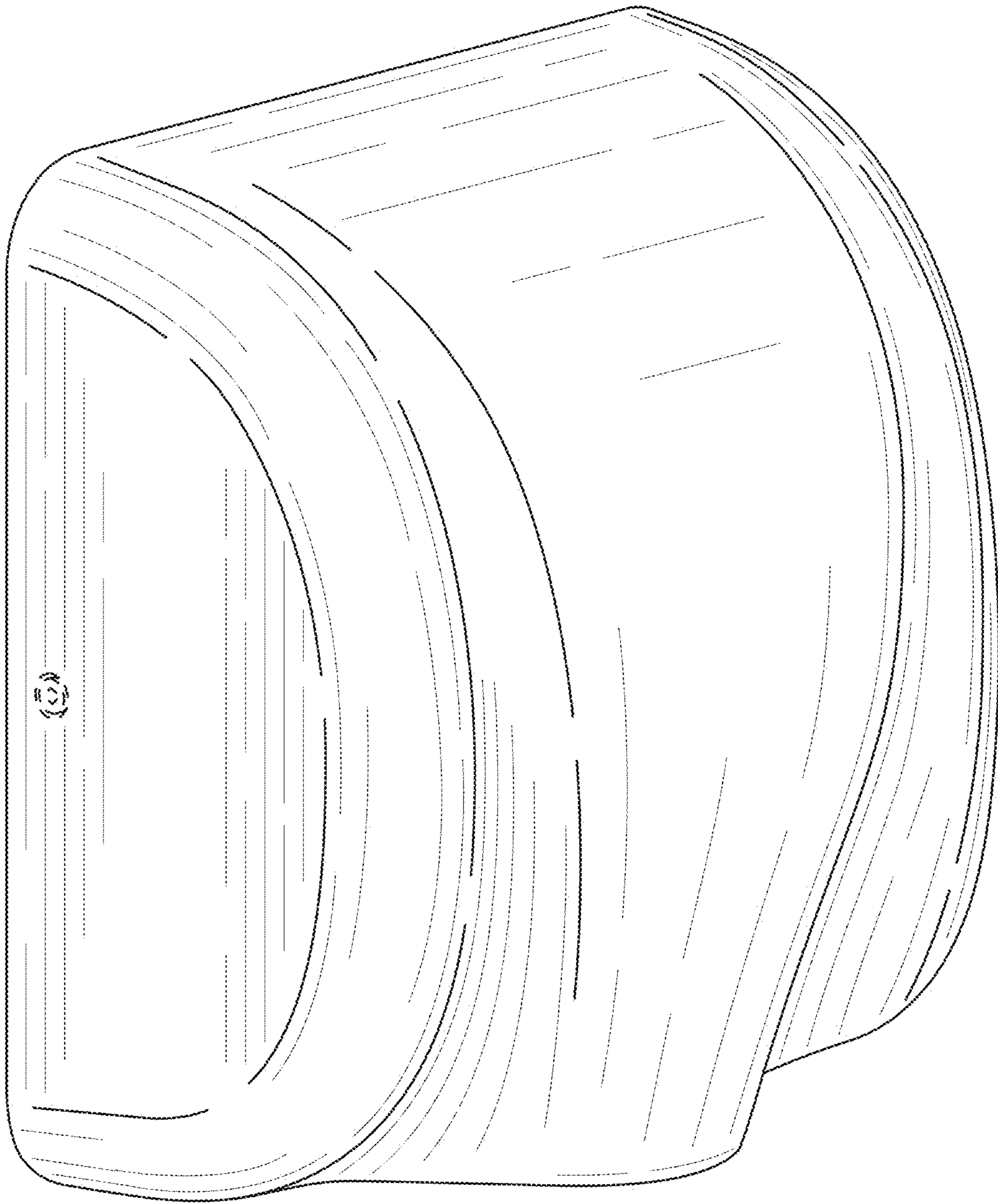


FIG. 1

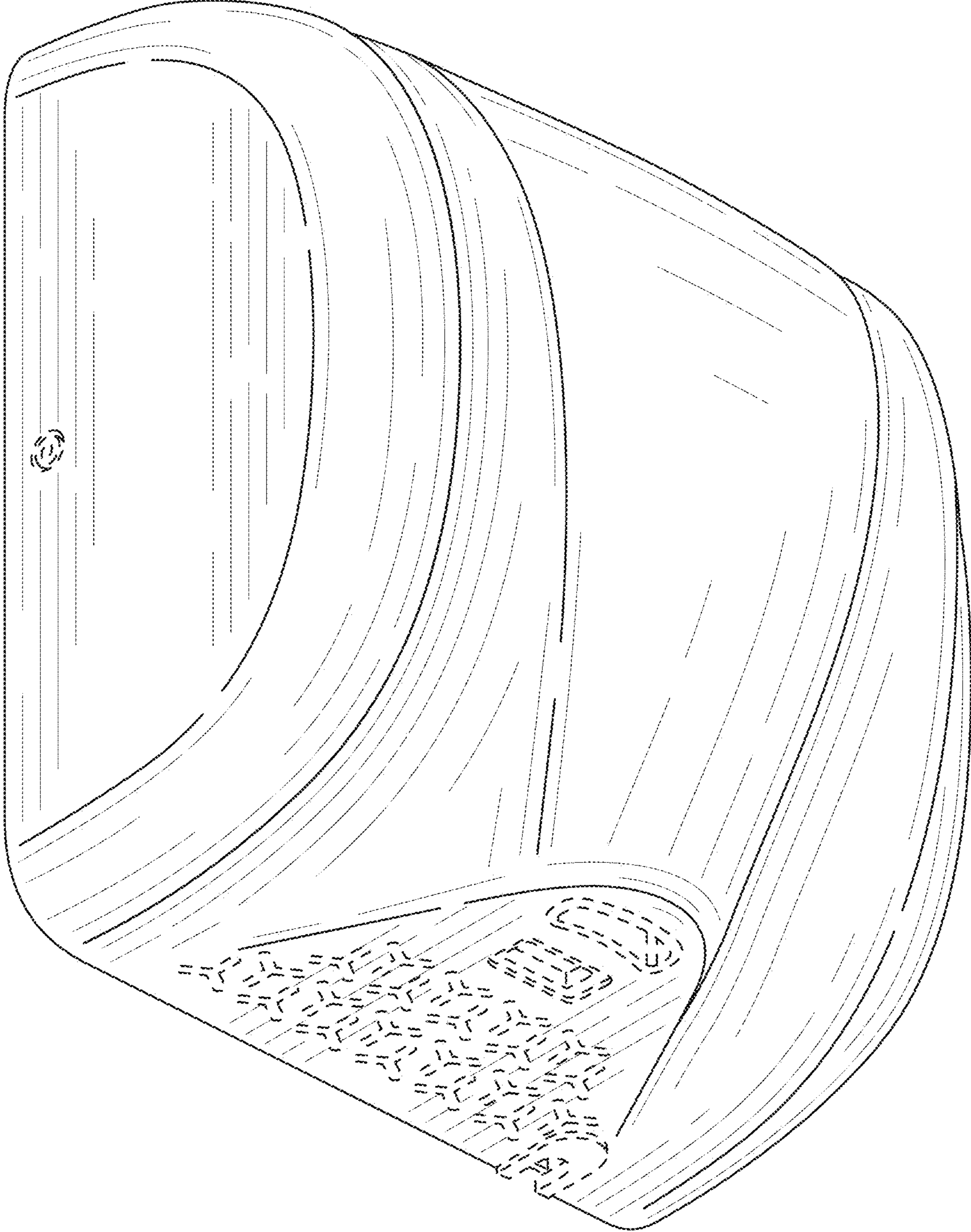


FIG. 2

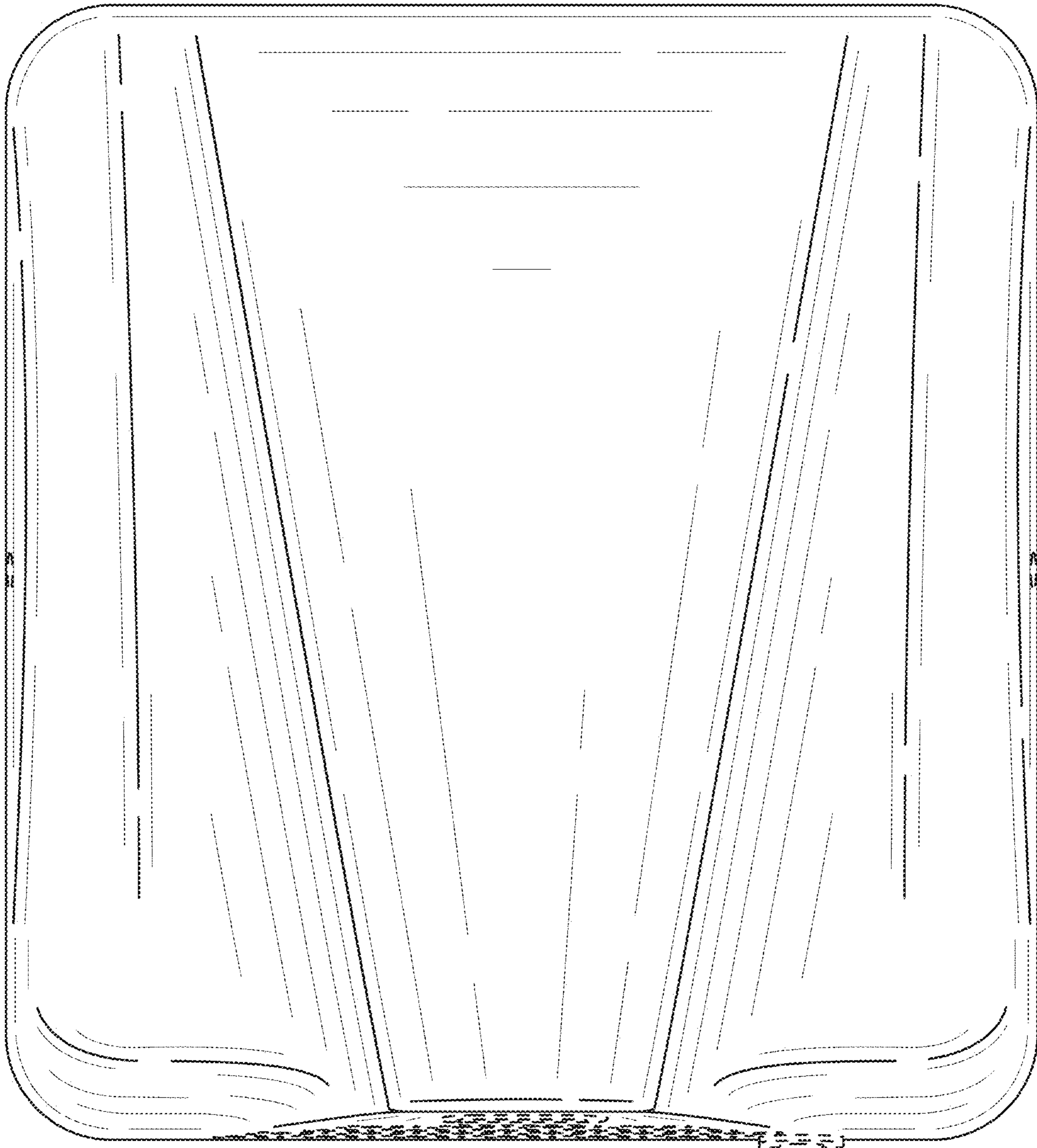


FIG. 3

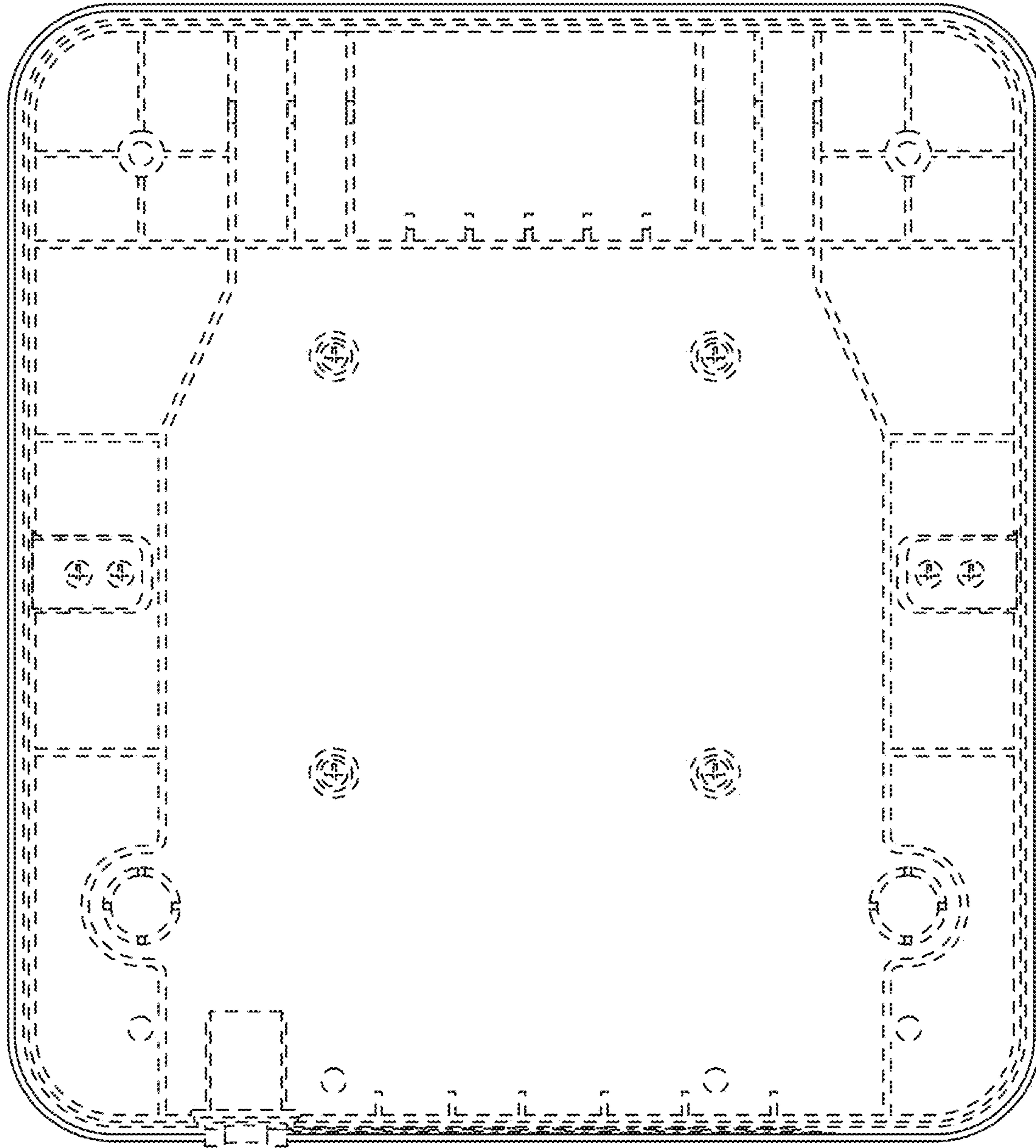


FIG. 4

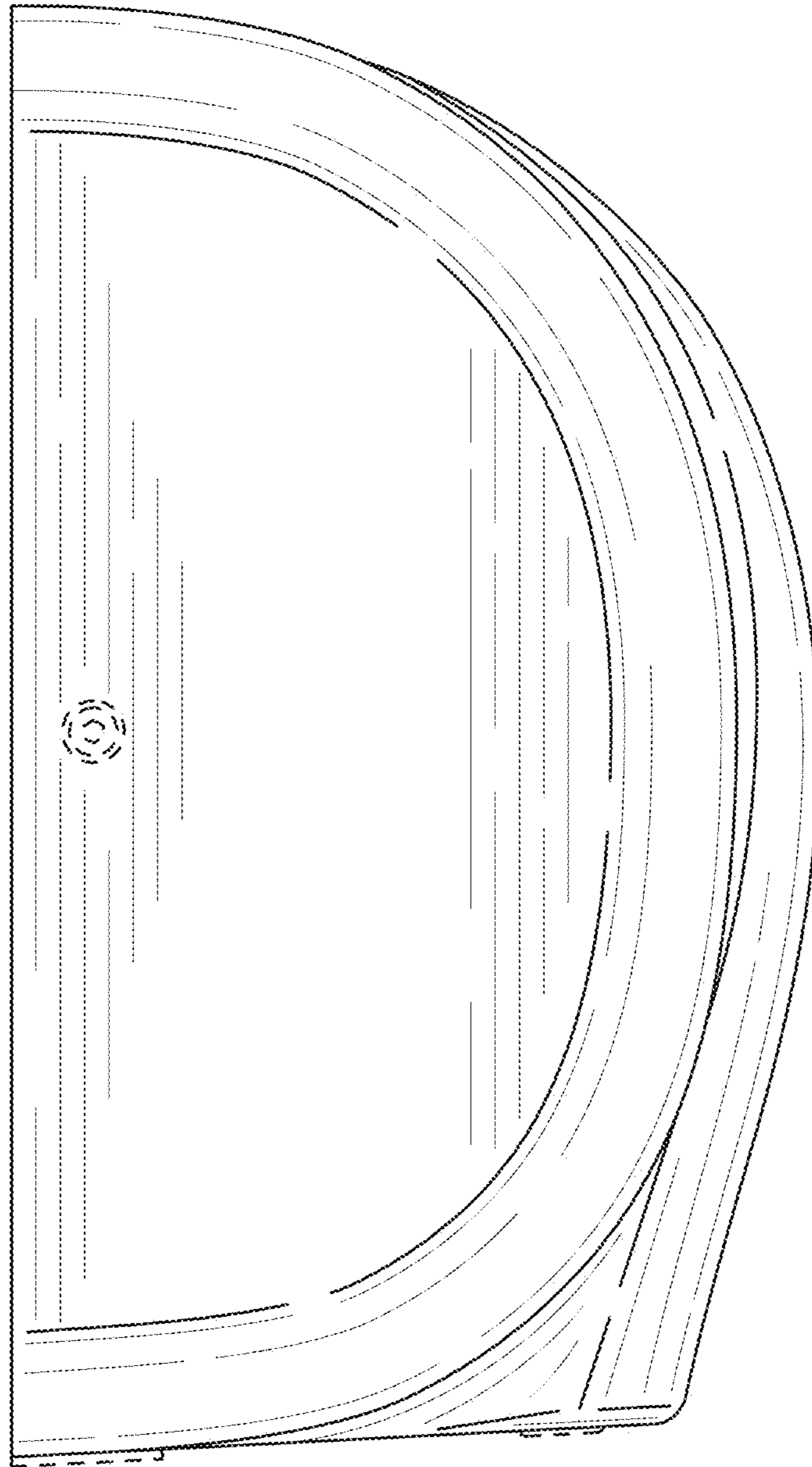


FIG. 5

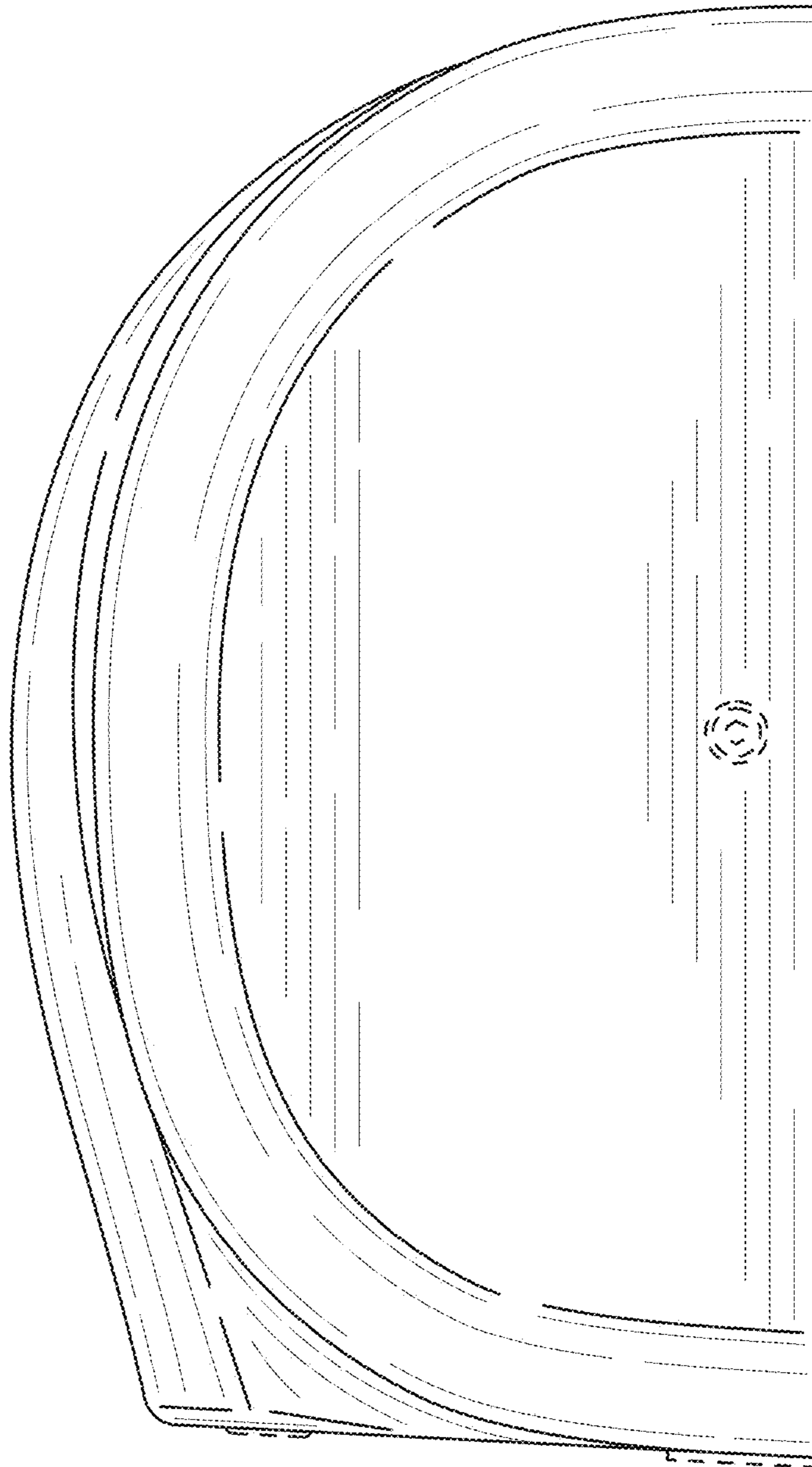


FIG. 6

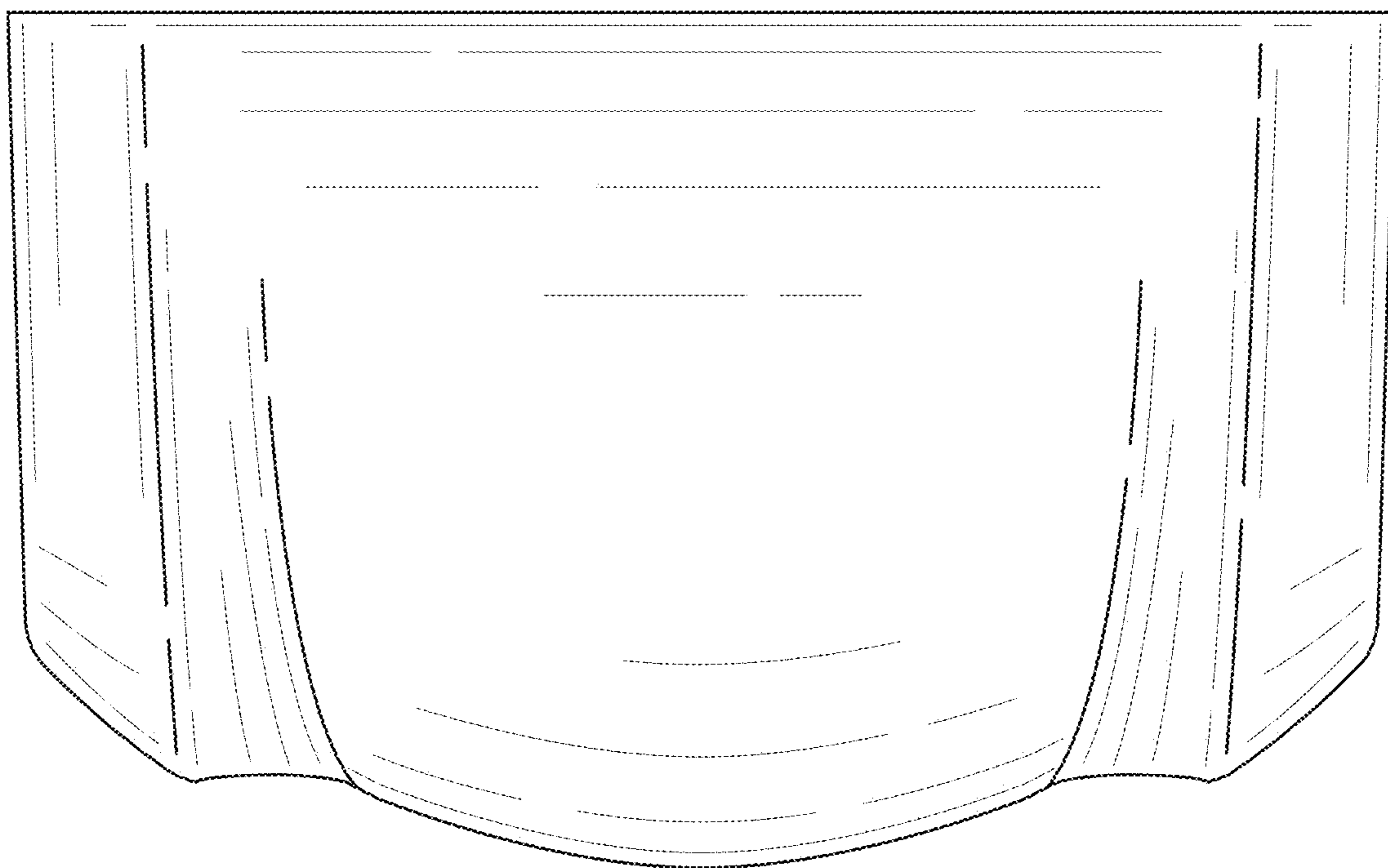


FIG. 7

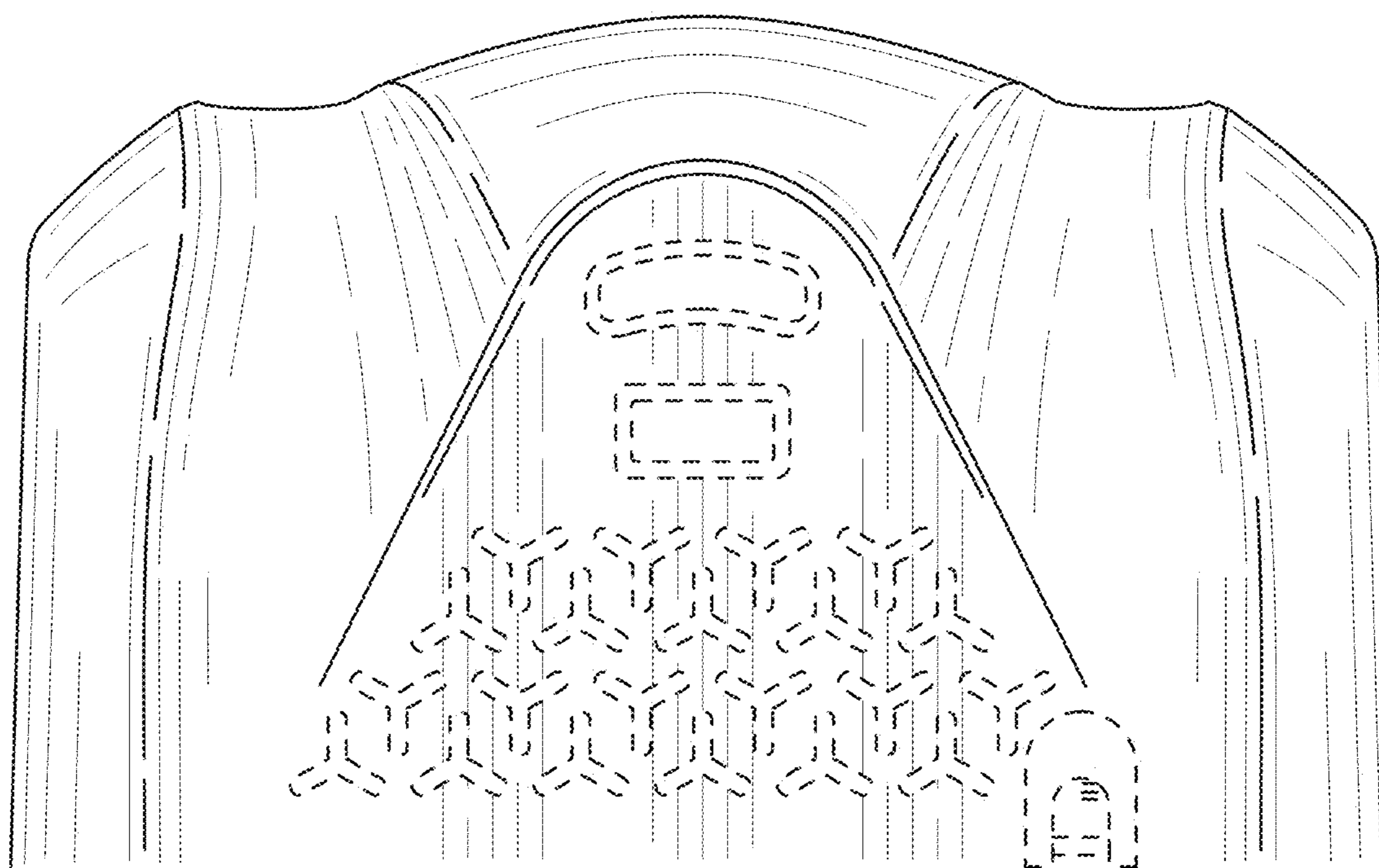


FIG. 8