



US00D889042S

(12) **United States Design Patent** (10) **Patent No.:** **US D889,042 S**
Andersson et al. (45) **Date of Patent:** **** Jun. 30, 2020**

(54) **HANDLE FOR A SHAVER**

(71) Applicant: **KONINKLIJKE PHILIPS N.V.**,
Eindhoven (NL)

(72) Inventors: **Jens Peter Kophmann Andersson**,
Eindhoven (NL); **Seth Peter Malkin Frankel**,
Eindhoven (NL)

(73) Assignee: **KONINKLIJKE PHILIPS N.V.**,
Eindhoven (NL)

(**) Term: **15 Years**

(21) Appl. No.: **29/661,105**

(22) Filed: **Aug. 24, 2018**

(30) **Foreign Application Priority Data**

Feb. 27, 2018 (EM) 004728186-0001

(51) **LOC (12) Cl.** **28-03**

(52) **U.S. Cl.**
USPC **D28/50; D28/54**

(58) **Field of Classification Search**
USPC **D28/50, 54**

(Continued)

(56) **References Cited**

U.S. PATENT DOCUMENTS

D737,514 S * 8/2015 Roland D28/50
D758,014 S * 5/2016 Smith D28/50

(Continued)

Primary Examiner — Jennifer Rivard

(57) **CLAIM**

The ornamental design for a handle for a shaver, as shown and described.

DESCRIPTION

FIG. 1 is a perspective view of a first embodiment of a handle for a shaver;

FIG. 2 is a front view of the handle for a shaver design of FIG. 1;

FIG. 3 is a rear view of the handle for a shaver design of FIG. 1;

FIG. 4 is a first side view of the handle for a shaver design of FIG. 1;

FIG. 5 is a second side view of the handle for a shaver design of FIG. 1;

FIG. 6 is a top view of the handle for a shaver design of FIG. 1;

FIG. 7 is a bottom view of the handle for a shaver design of FIG. 1;

FIG. 8 is a perspective view of a second embodiment of a handle for a shaver;

FIG. 9 is a front view of the handle for a shaver design of FIG. 8;

FIG. 10 is a rear view of the handle for a shaver design of FIG. 8;

FIG. 11 is a first side view of the handle for a shaver design of FIG. 8;

FIG. 12 is a second side view of the handle for a shaver design of FIG. 8;

FIG. 13 is a top view of the handle for a shaver design of FIG. 8;

FIG. 14 is a bottom view of the handle for a shaver design of FIG. 8;

FIG. 15 is a perspective view of a third embodiment of a handle for a shaver;

FIG. 16 is a front view of the handle for a shaver design of FIG. 15;

FIG. 17 is a rear view of the handle for a shaver design of FIG. 15;

FIG. 18 is a first side view of the handle for a shaver design of FIG. 15;

FIG. 19 is a second side view of the handle for a shaver design of FIG. 15;

FIG. 20 is a top view of the handle for a shaver design of FIG. 15;

FIG. 21 is a bottom view of the handle for a shaver design of FIG. 15;

FIG. 22 is a perspective view of a fourth embodiment of a handle for a shaver;

FIG. 23 is a front view of the handle for a shaver design of FIG. 22;

(Continued)

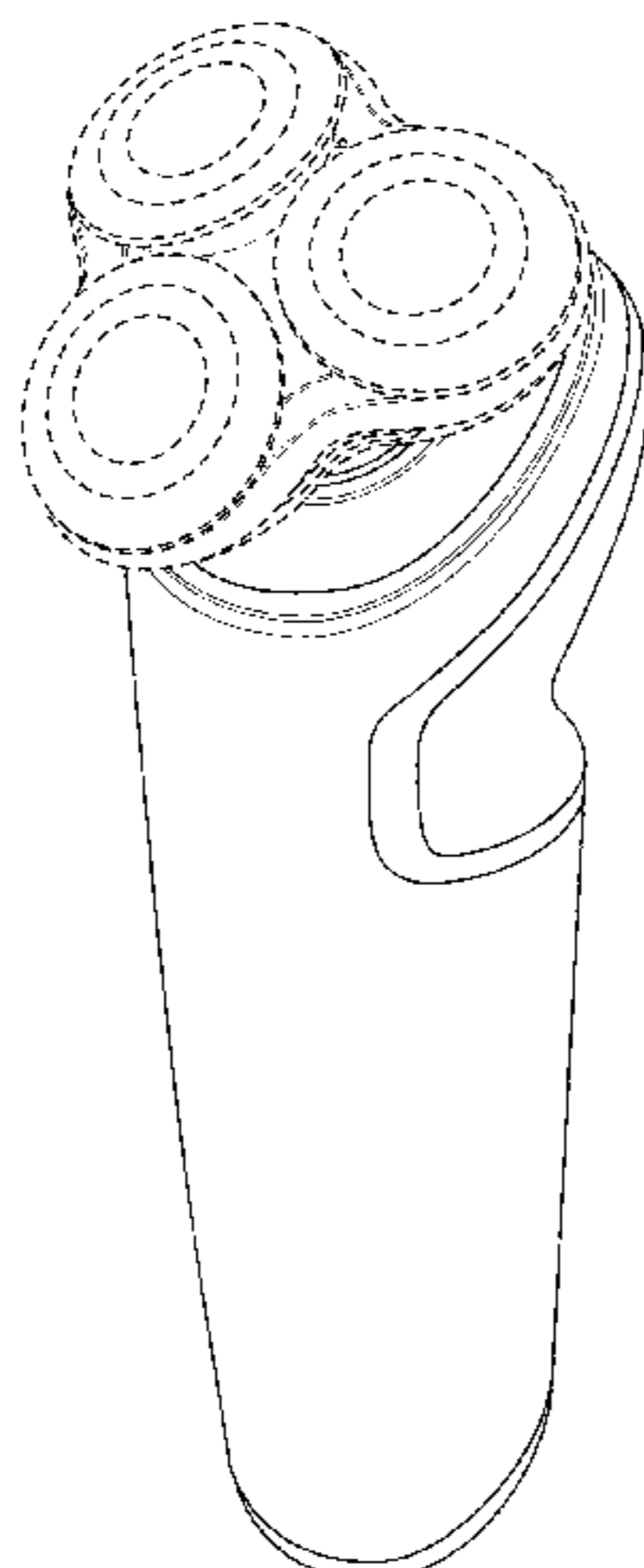


FIG. 24 is a rear view of the handle for a shaver design of FIG. 22;

FIG. 25 is a first side view of the handle for a shaver design of FIG. 22;

FIG. 26 is a second side view of the handle for a shaver design of FIG. 22;

FIG. 27 is a top view of the handle for a shaver design of FIG. 22; and,

FIG. 28 is a bottom view of the handle for a shaver design of FIG. 22.

1 Claim, 28 Drawing Sheets

(58) Field of Classification Search

CPC B26B 19/20–205; B26B 19/00–107; B26B
19/12–18; B26B 19/22–24; B26B
19/26–265; B26B 19/38–48

See application file for complete search history.

(56) References Cited

U.S. PATENT DOCUMENTS

| | | | | | |
|------------|------|--------|---------|-------|-------------|
| D758,017 | S * | 5/2016 | Smith | | D28/50 |
| D776,348 | S * | 1/2017 | Frankel | | D28/50 |
| D777,375 | S * | 1/2017 | Frankel | | D28/50 |
| D777,376 | S * | 1/2017 | Frankel | | D28/50 |
| 9,919,437 | B2 * | 3/2018 | Veltman | | B26B 19/388 |
| 10,357,890 | B2 * | 7/2019 | Yan | | C08L 83/04 |

* cited by examiner

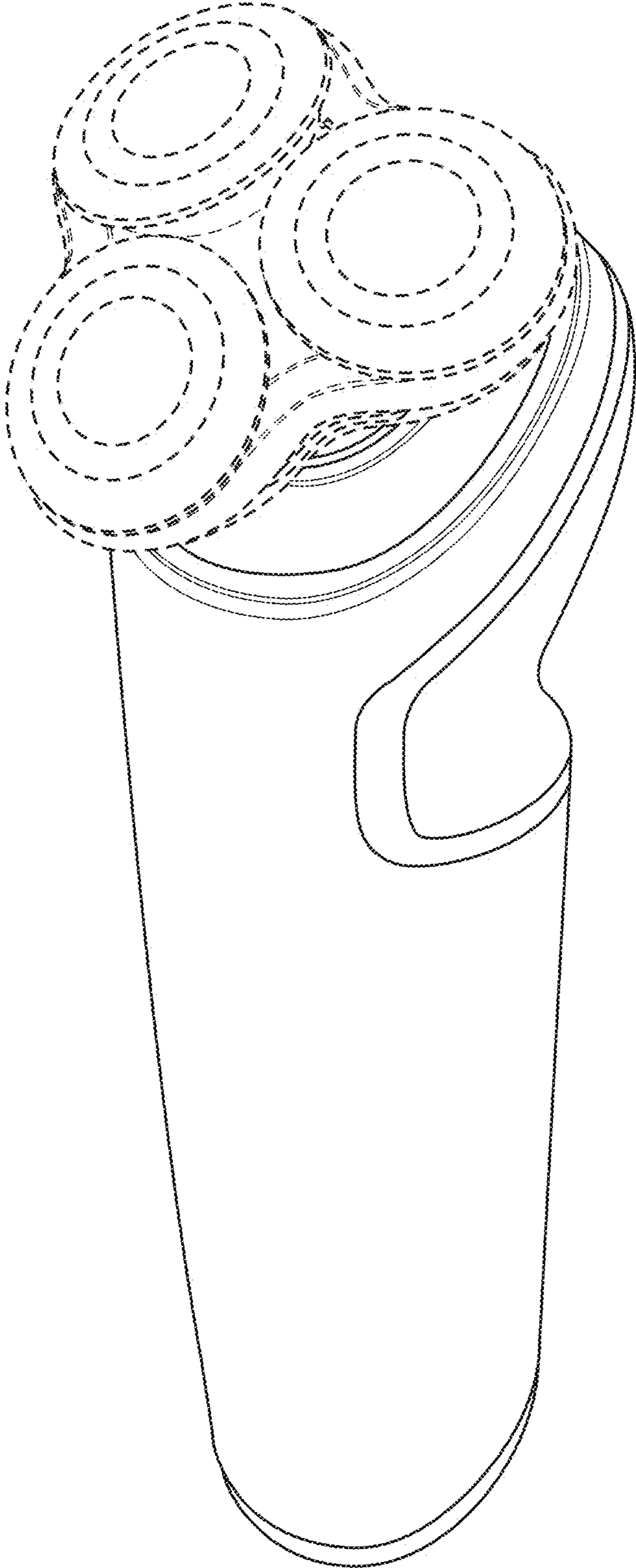


FIG. 1

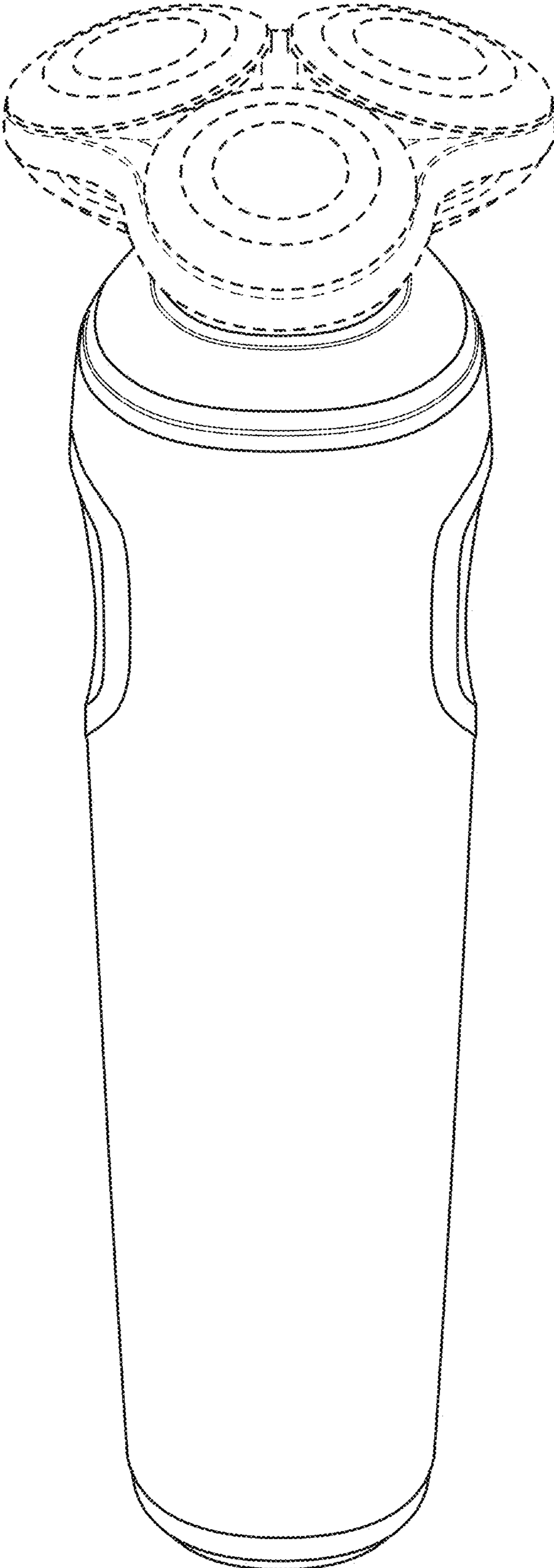


FIG. 2

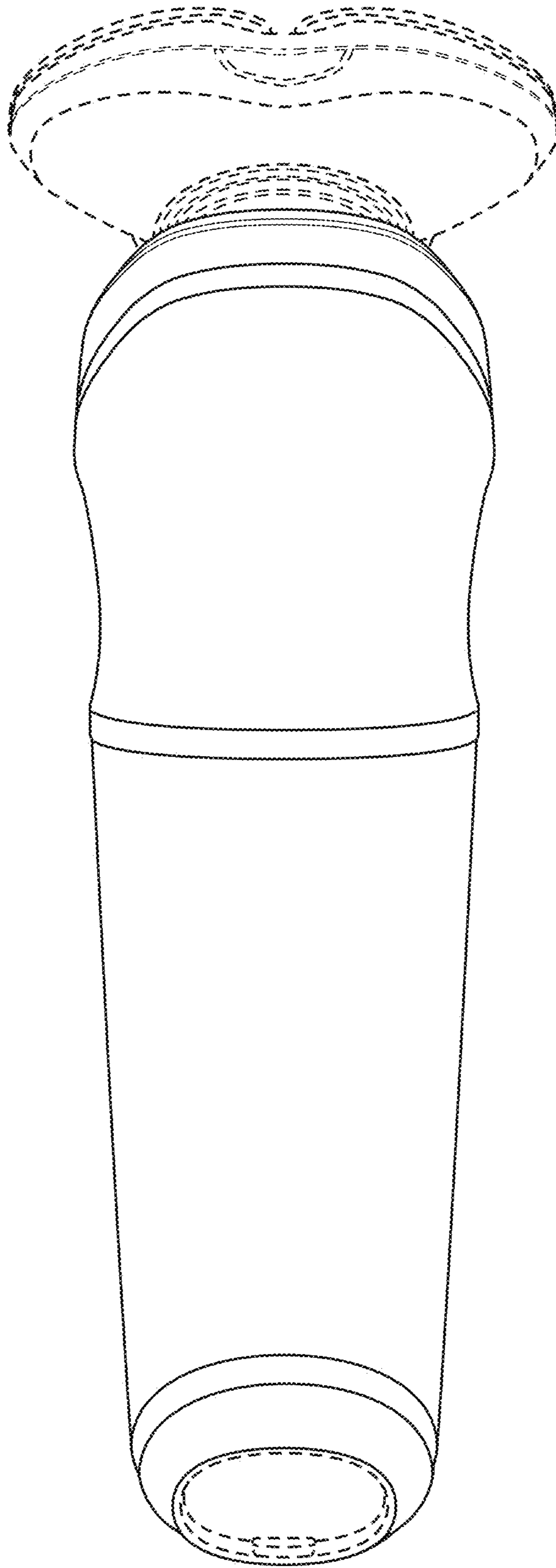


FIG. 3

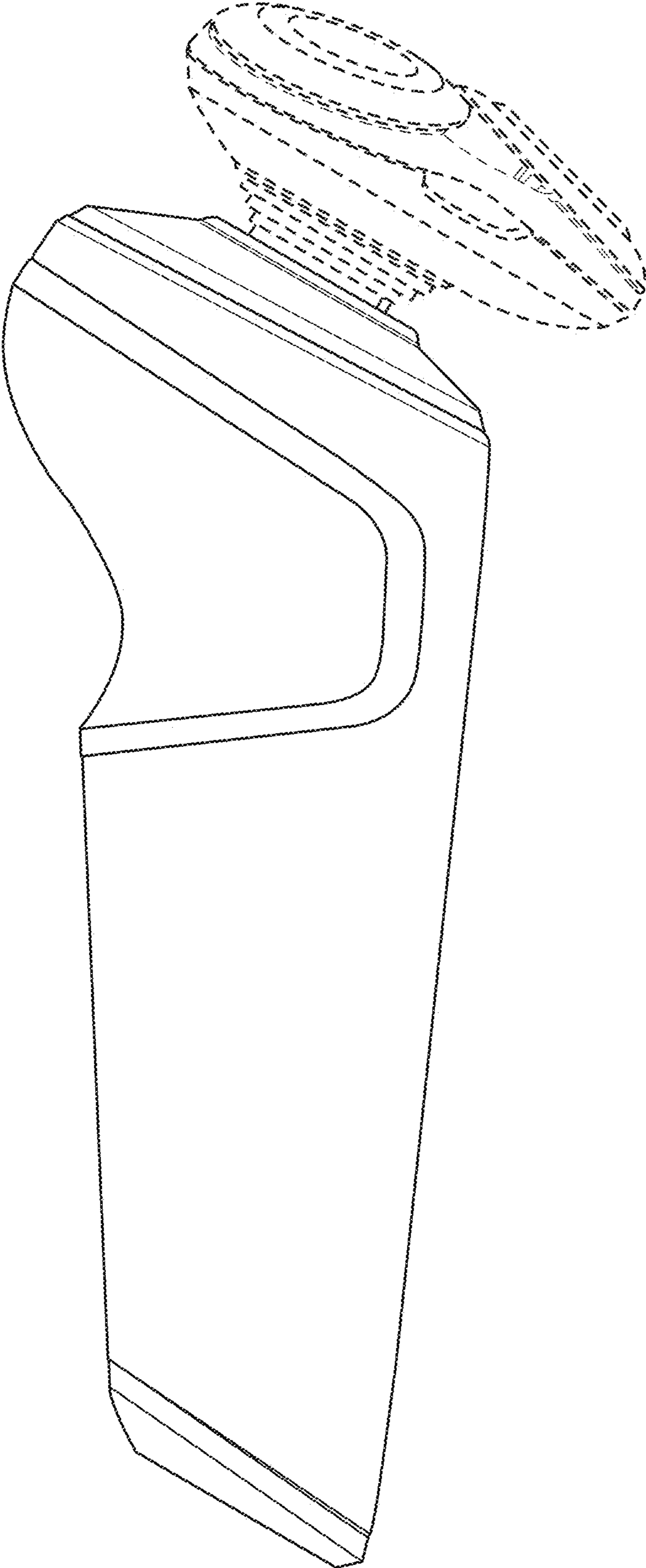


FIG. 4

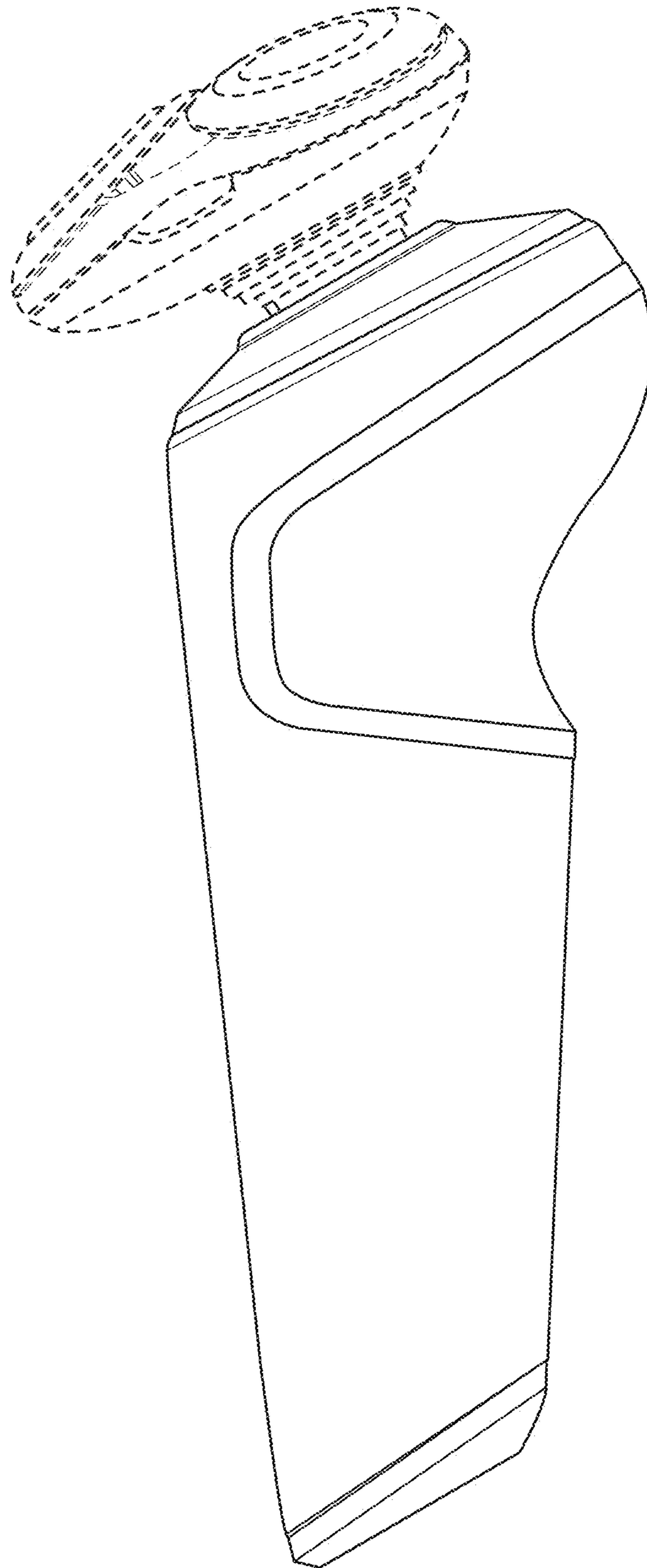


FIG. 5

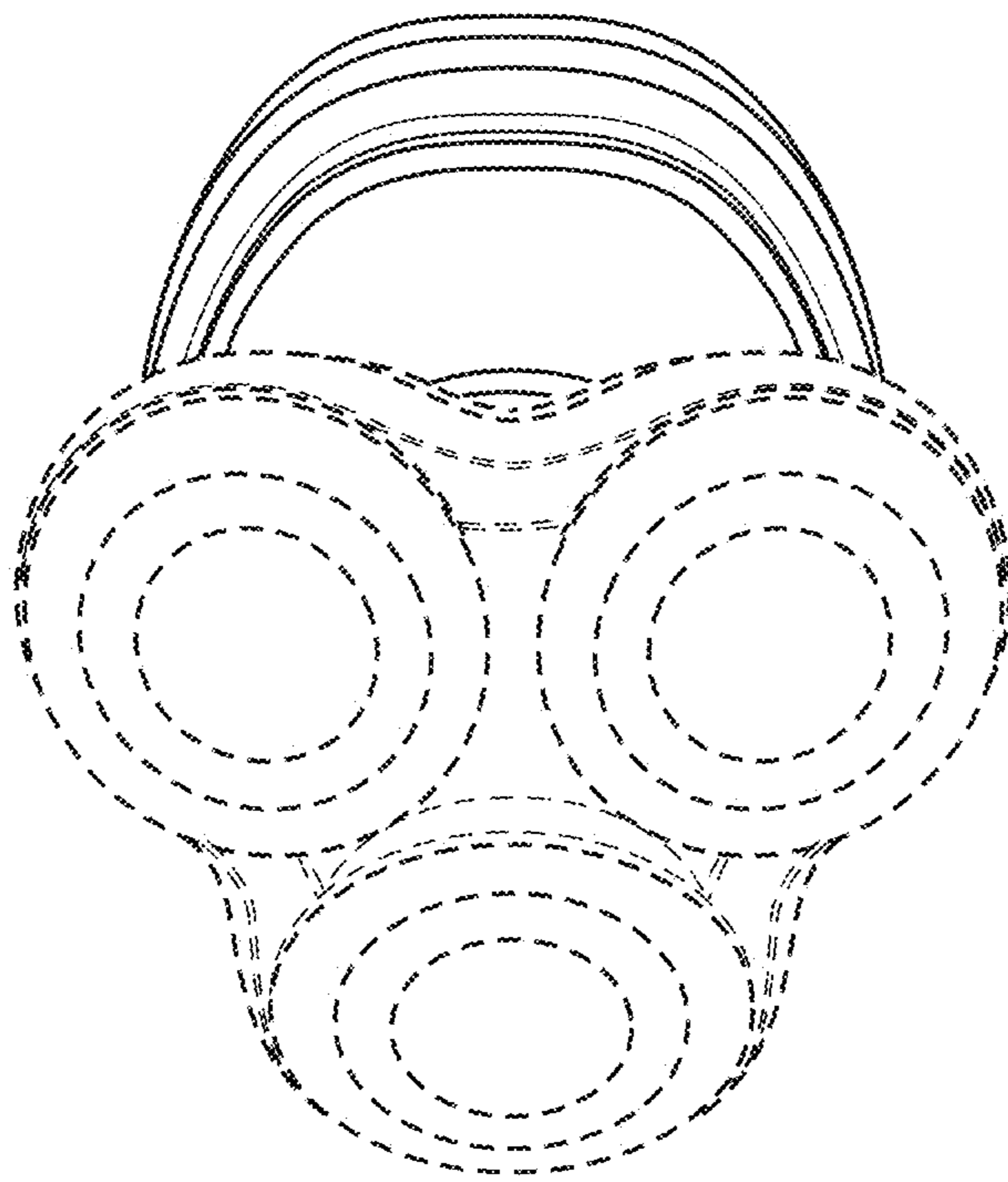


FIG. 6

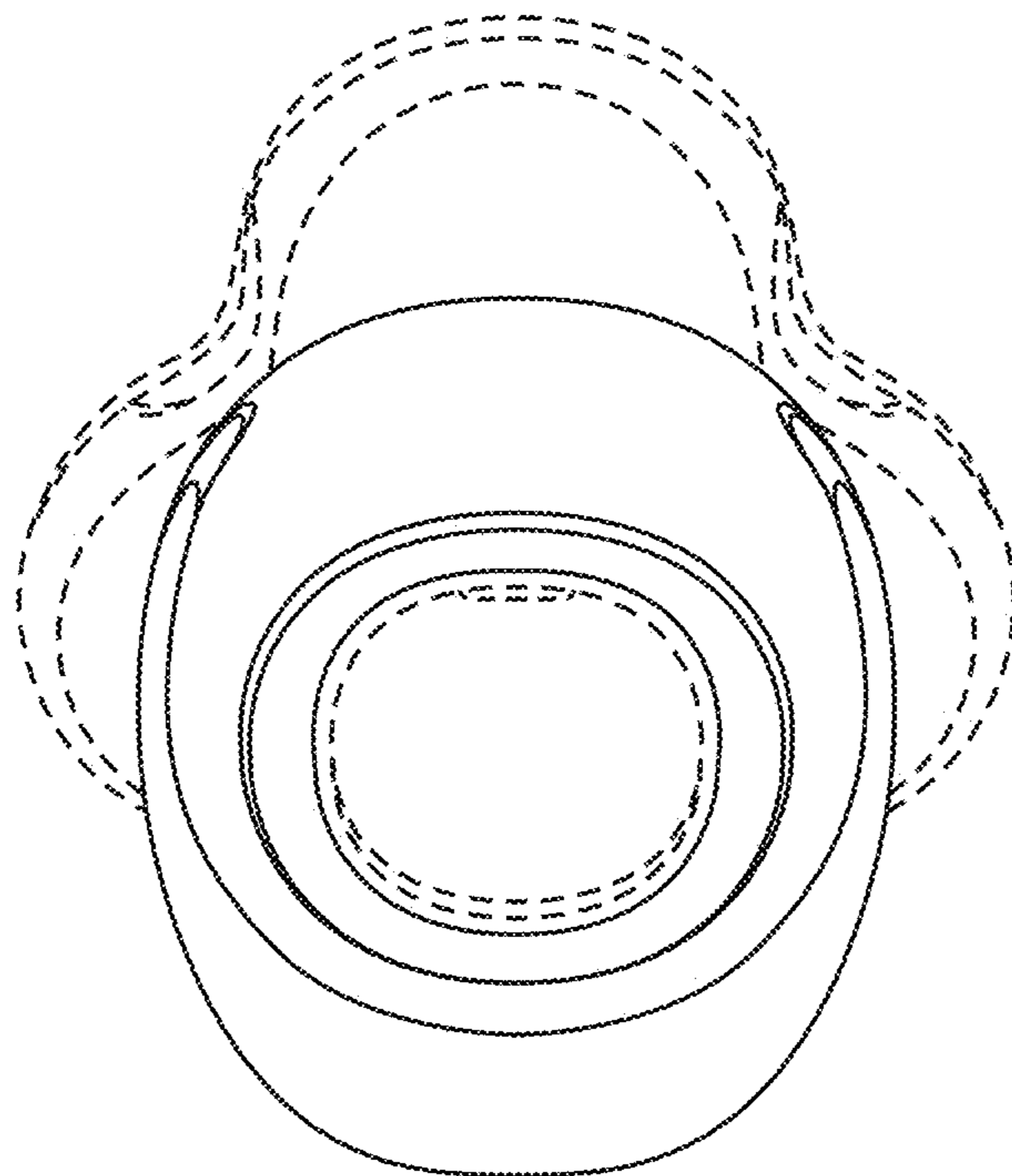


FIG. 7

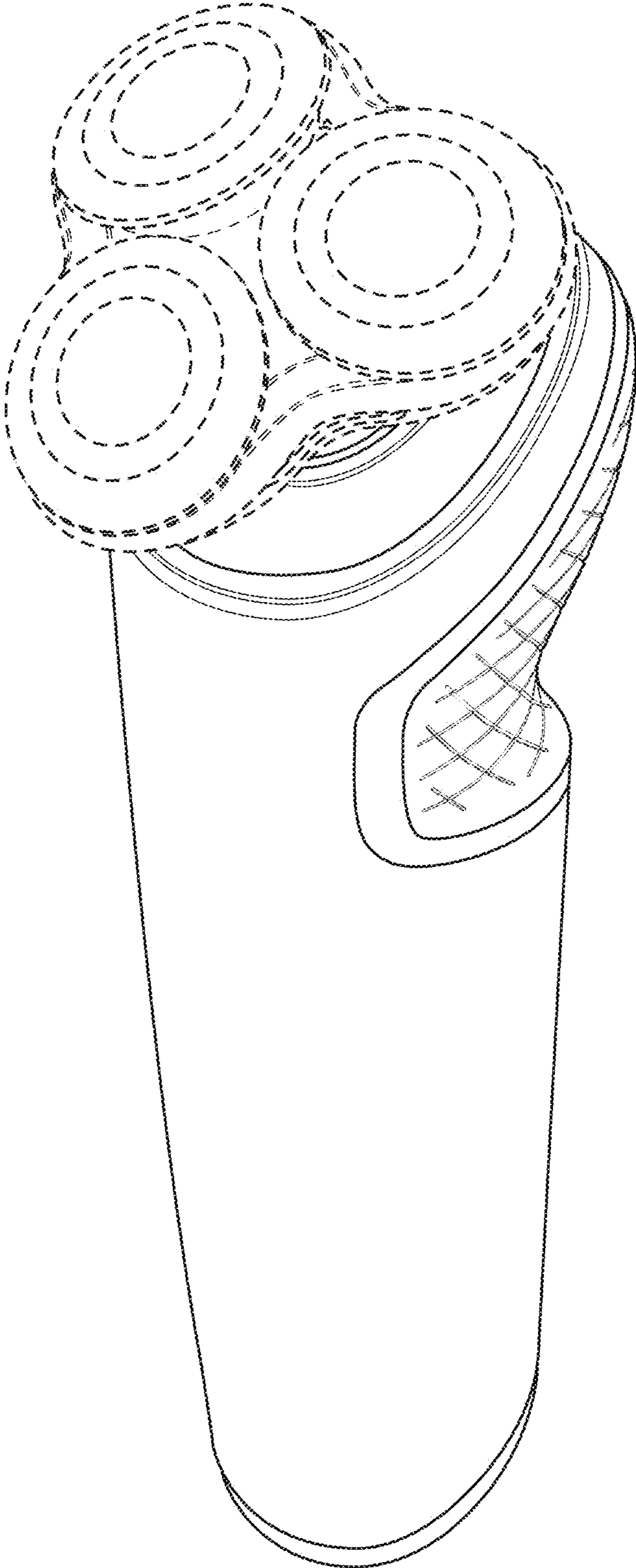


FIG. 8

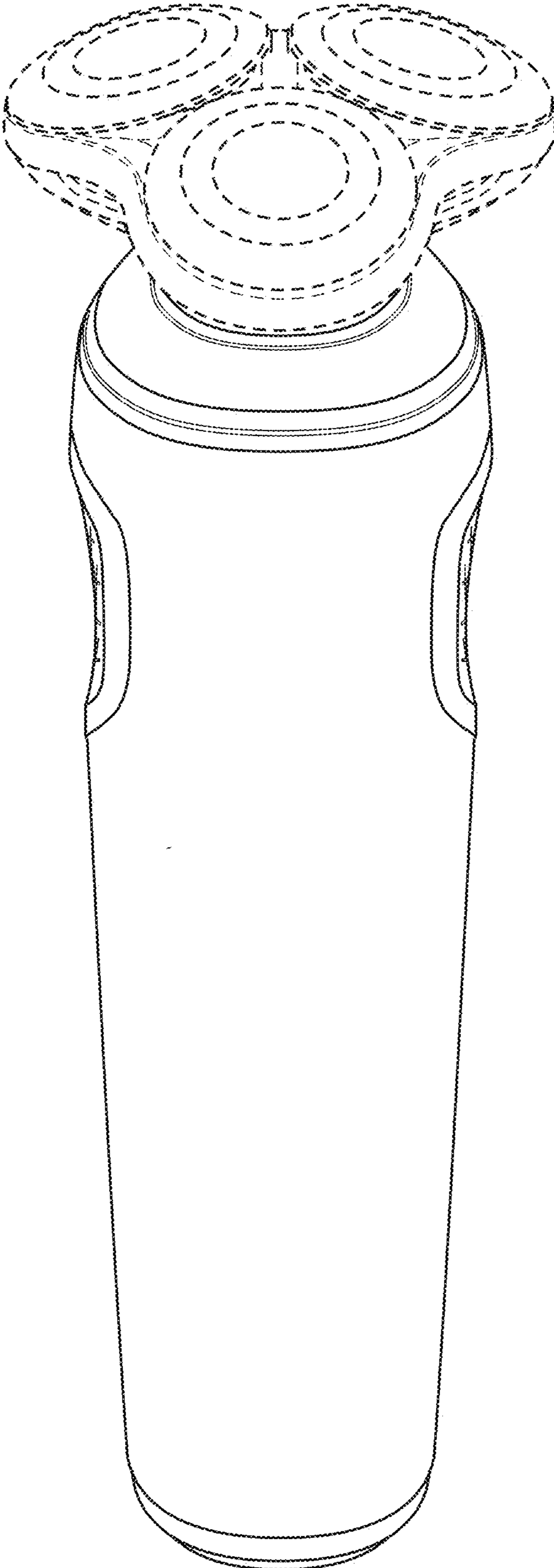


FIG. 9

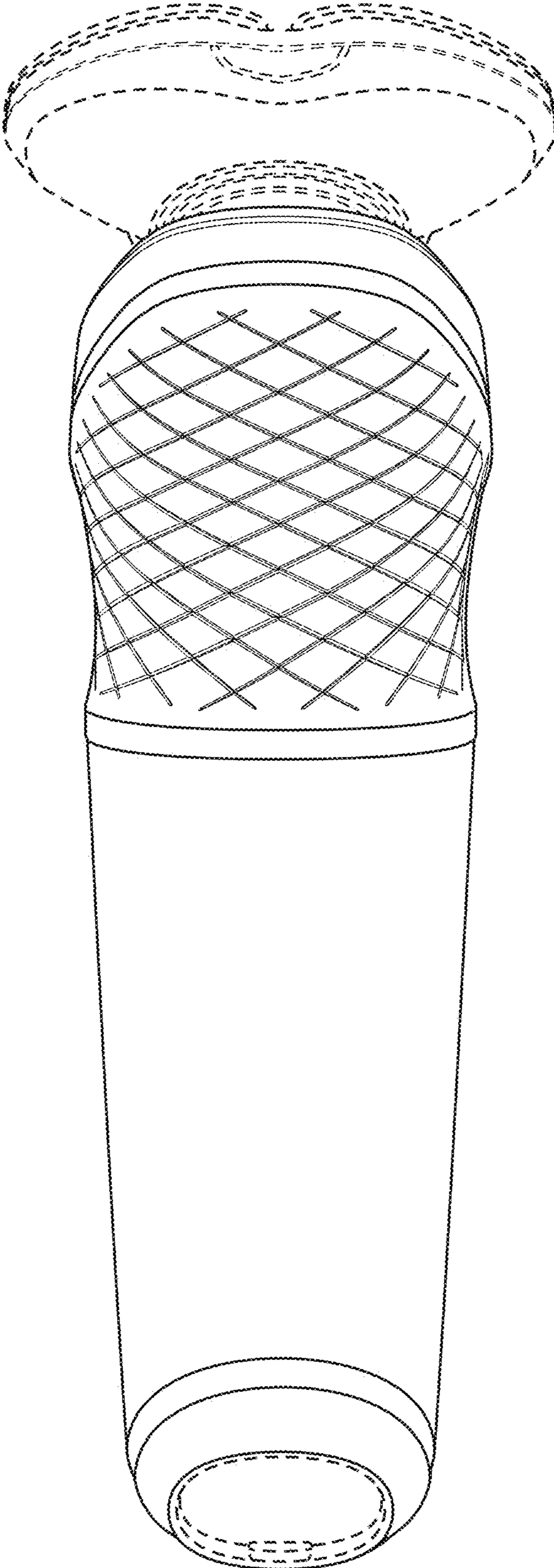


FIG. 10

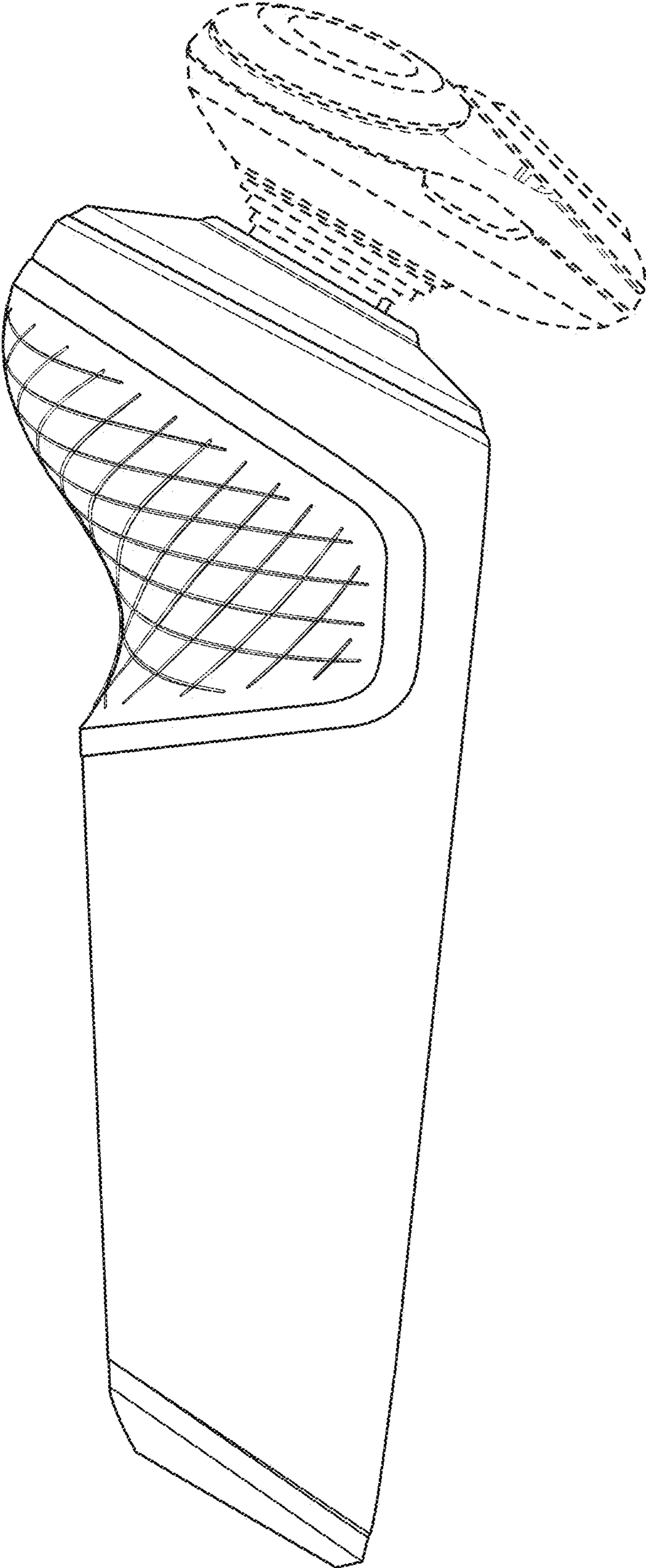


FIG. 11

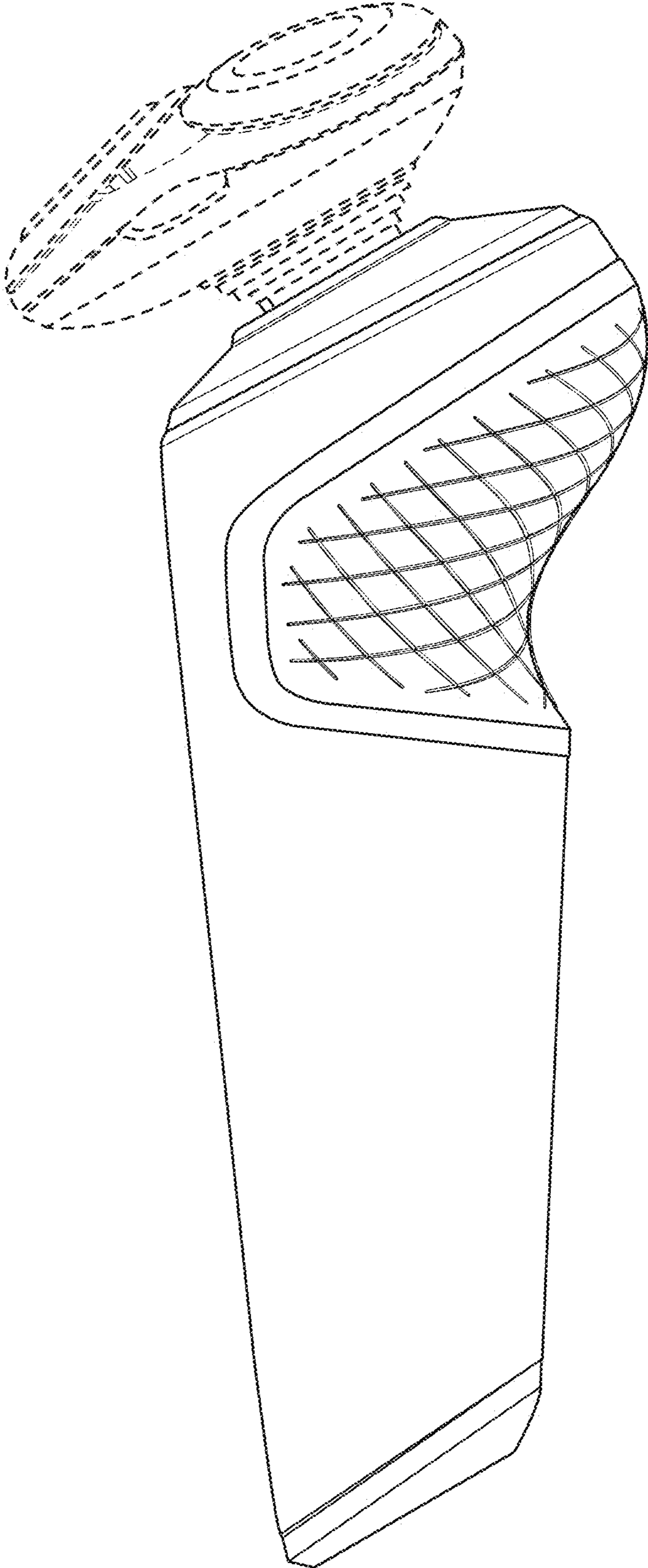


FIG. 12

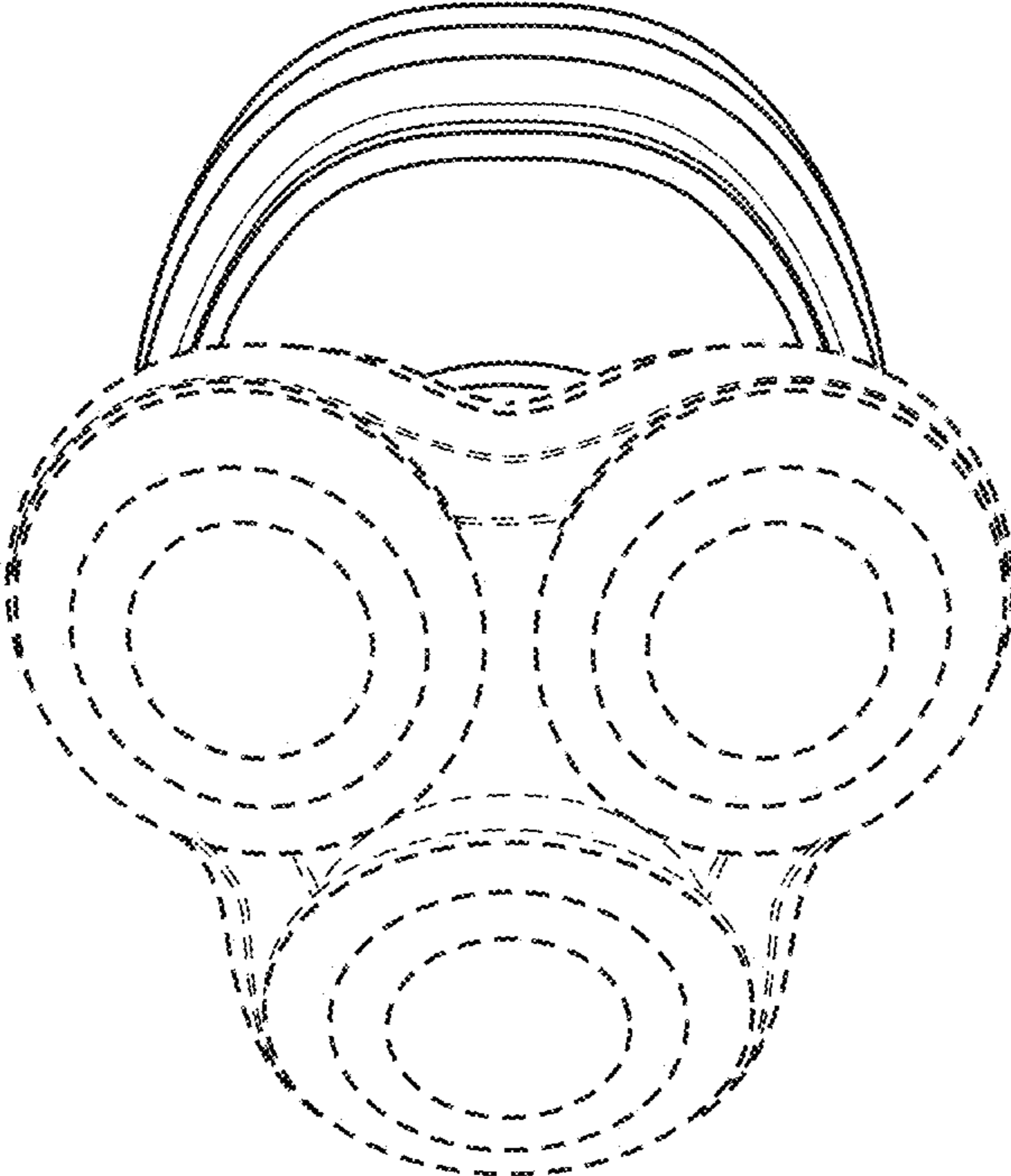


FIG. 13

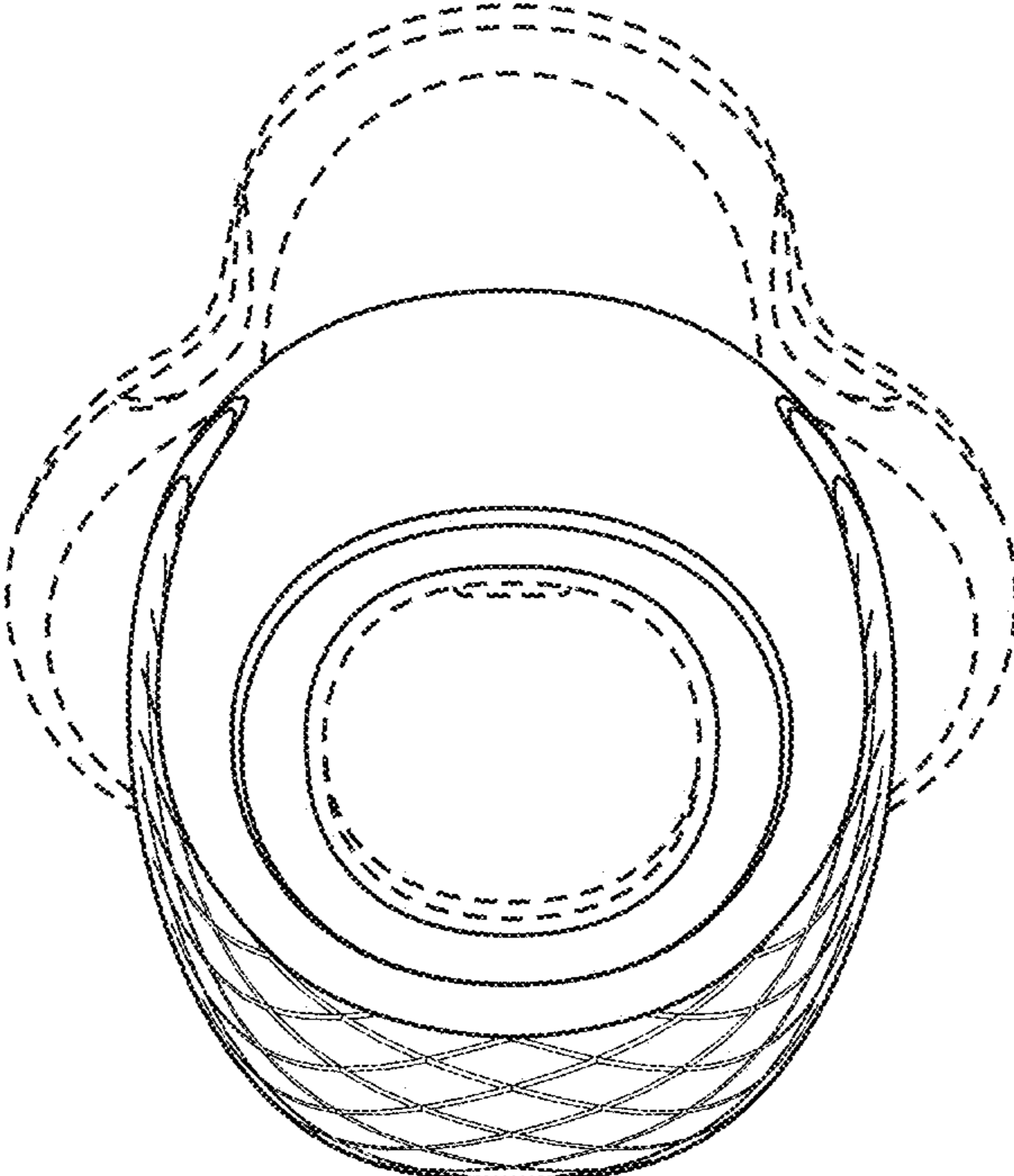


FIG. 14

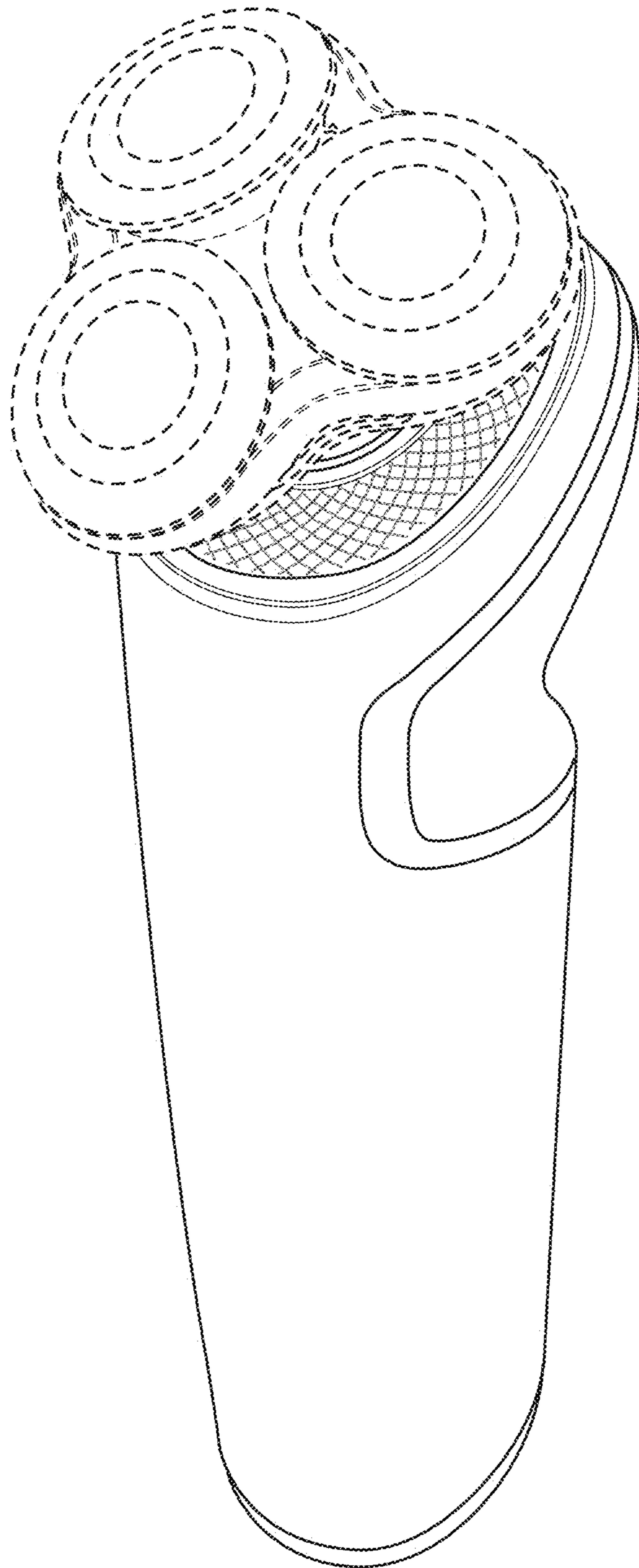


FIG. 15

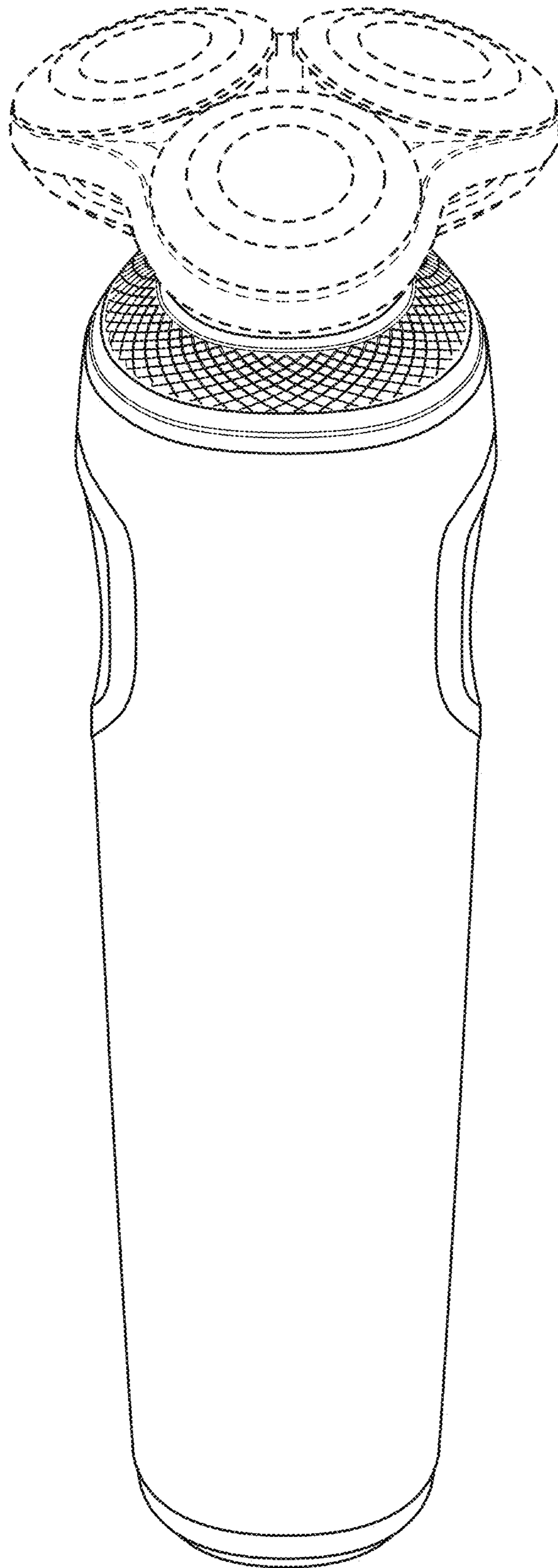


FIG. 16

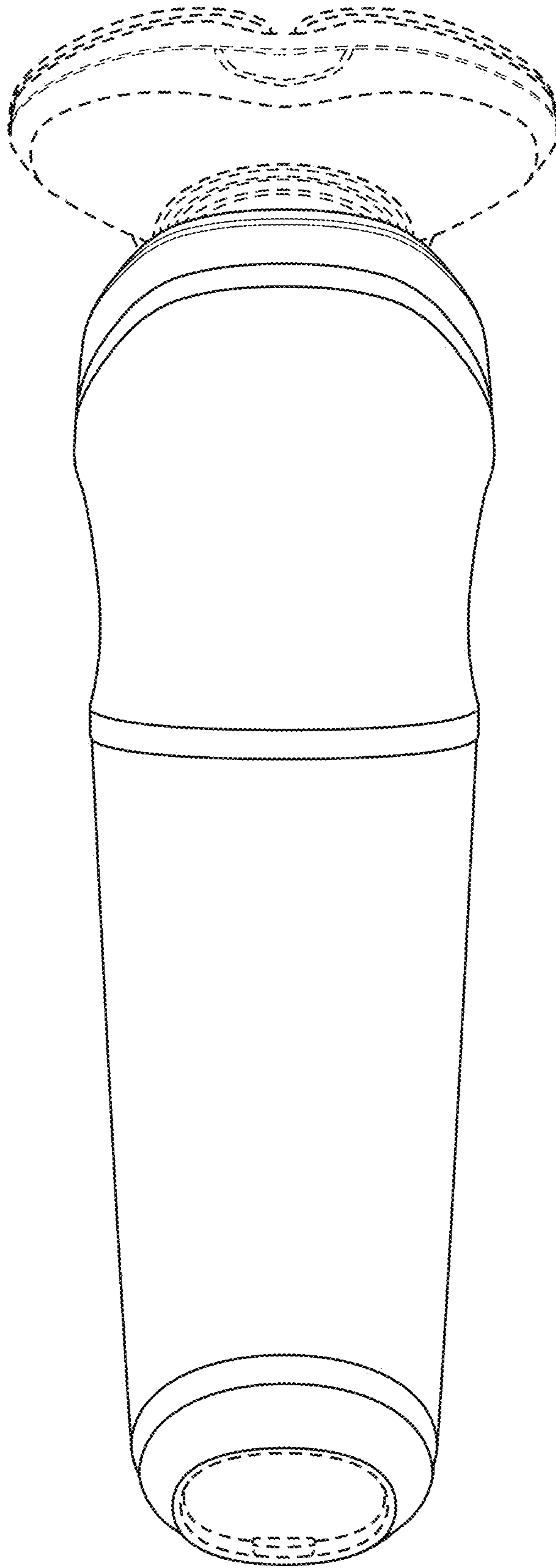


FIG. 17

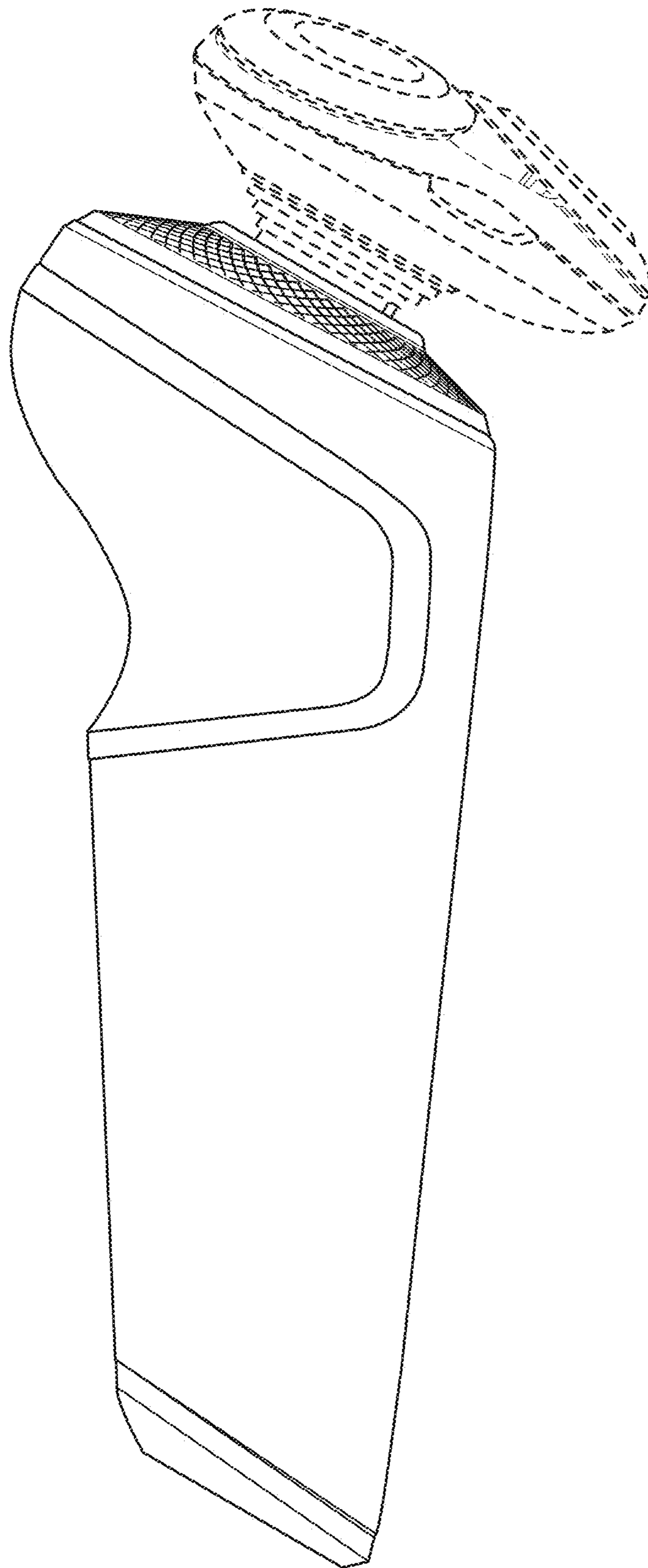


FIG. 18

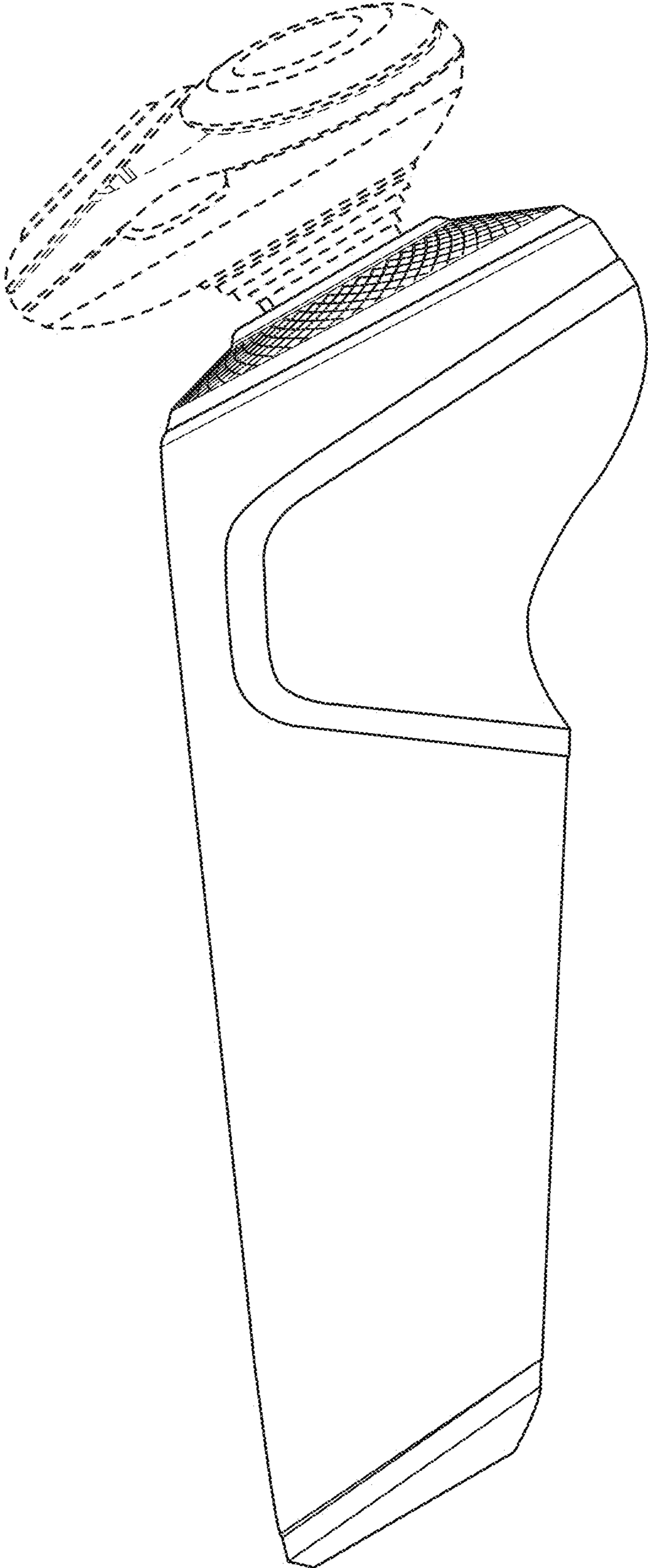


FIG. 19

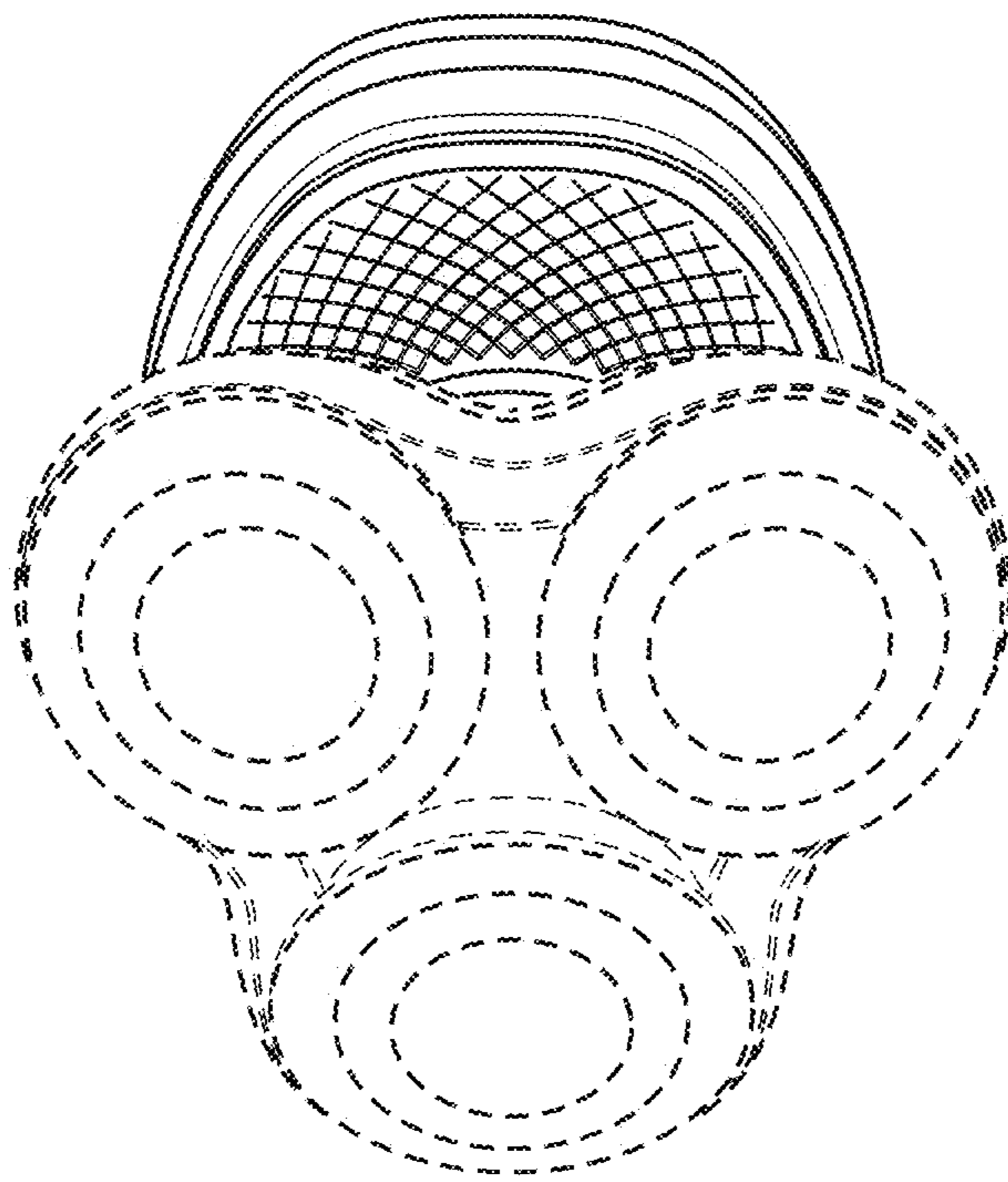


FIG. 20

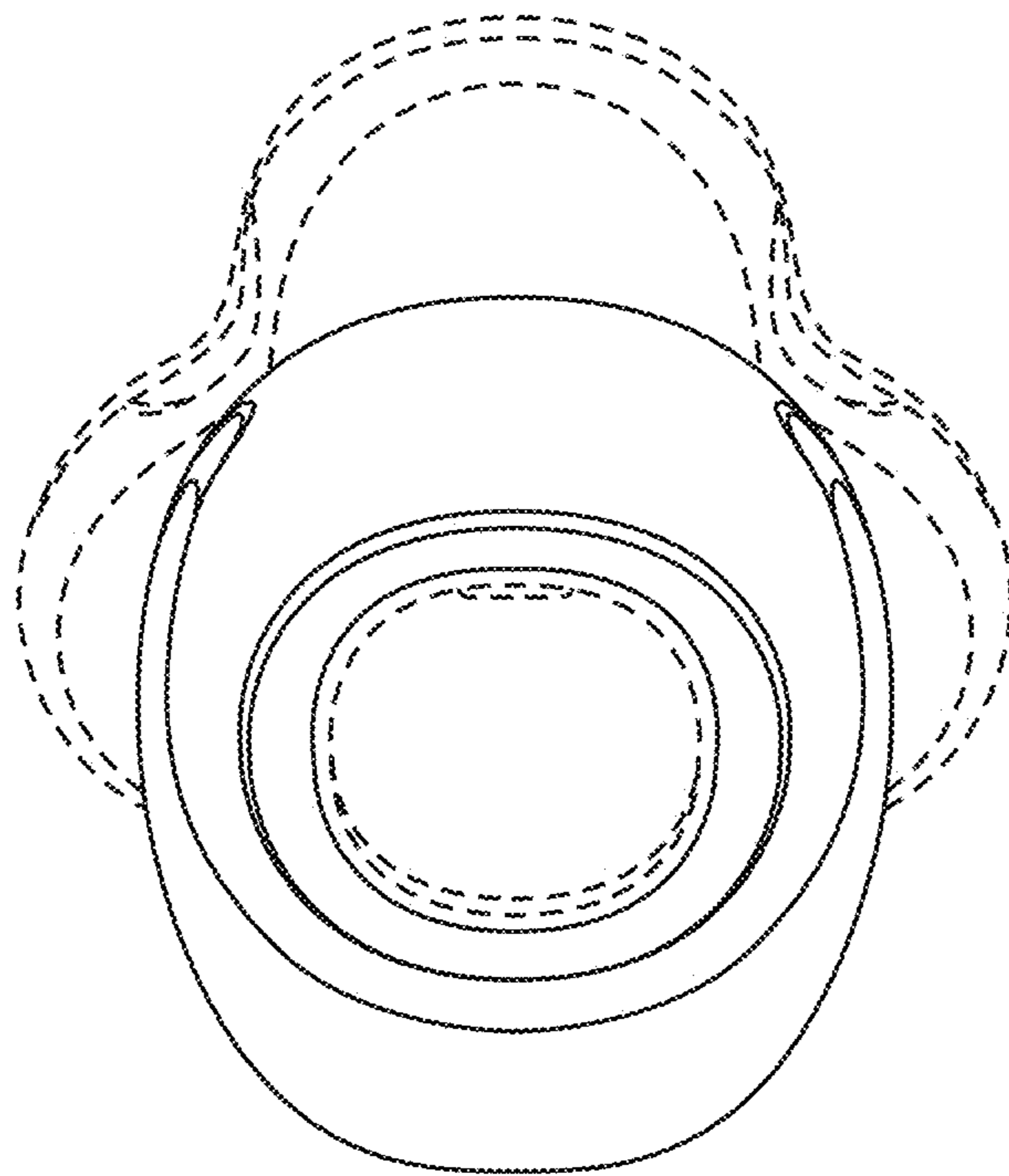


FIG. 21

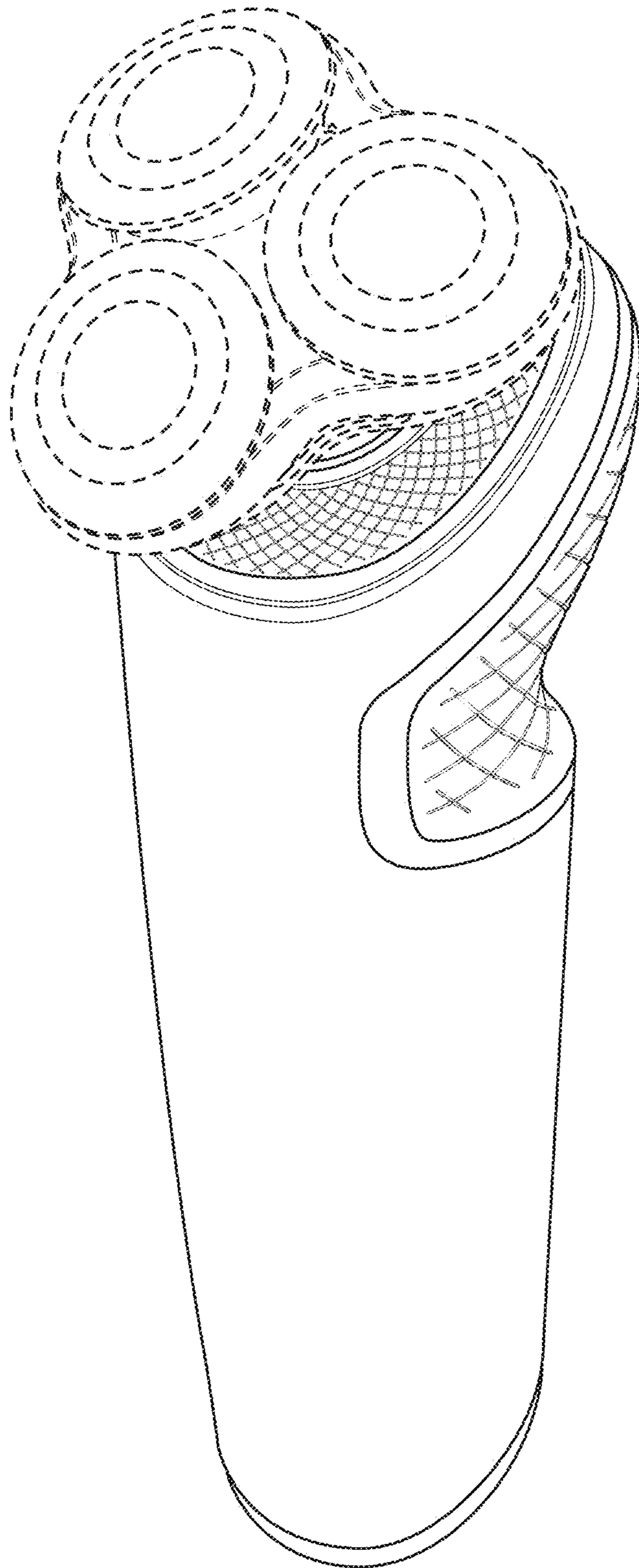


FIG. 22

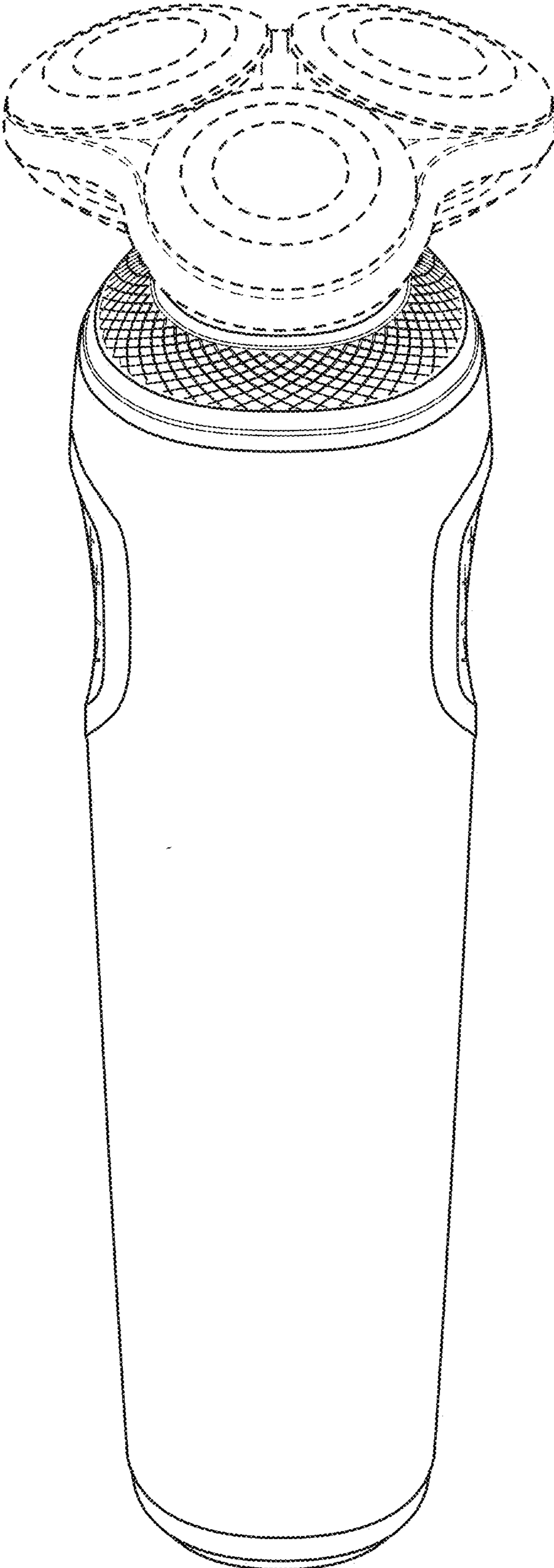


FIG. 23

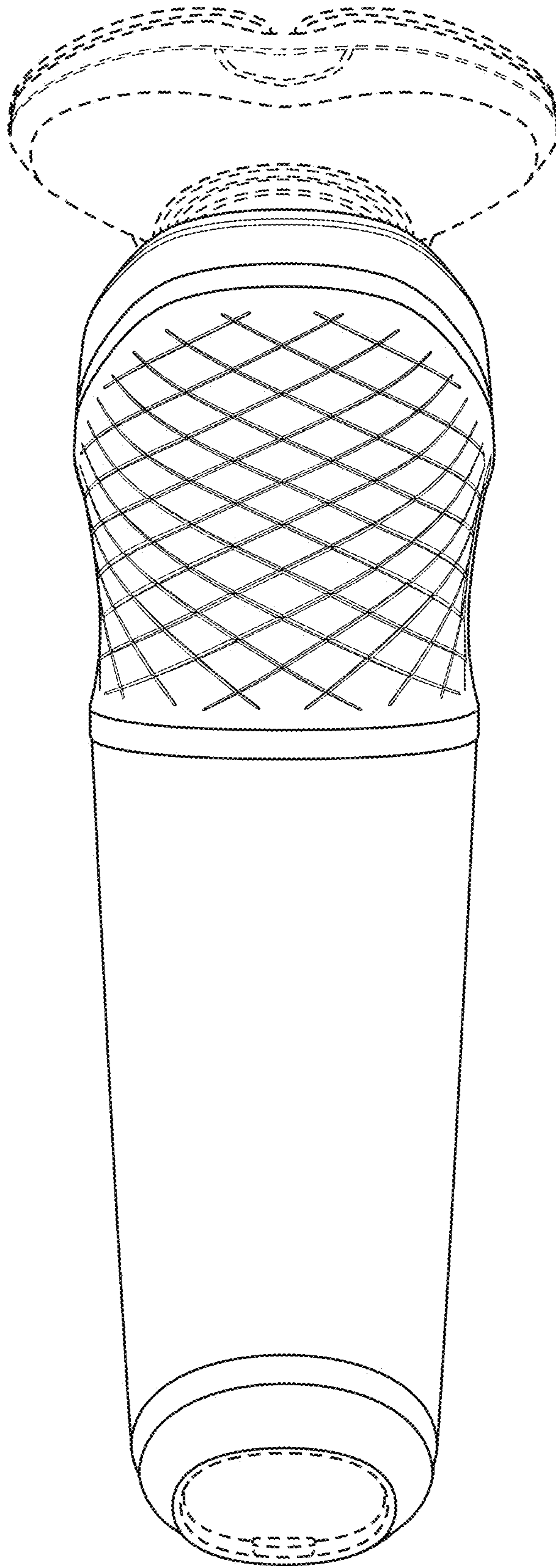


FIG. 24

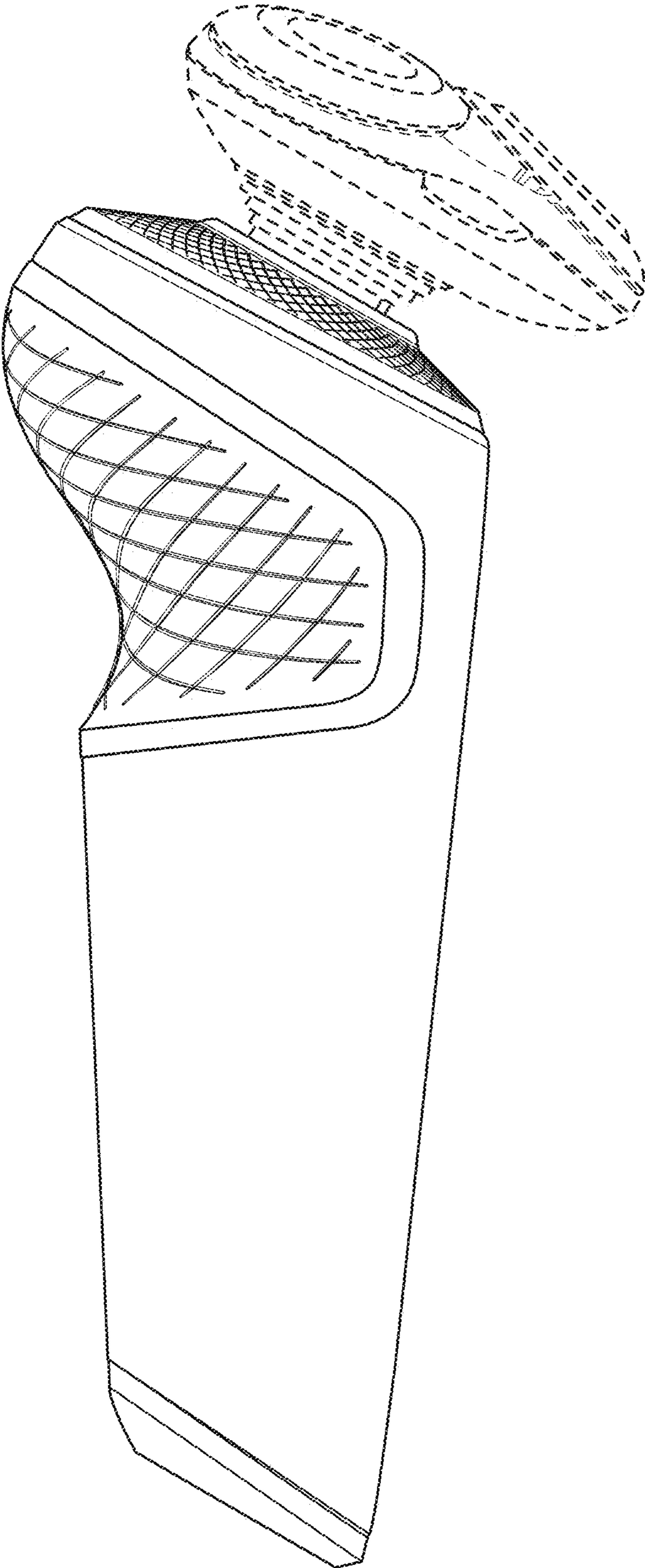


FIG. 25

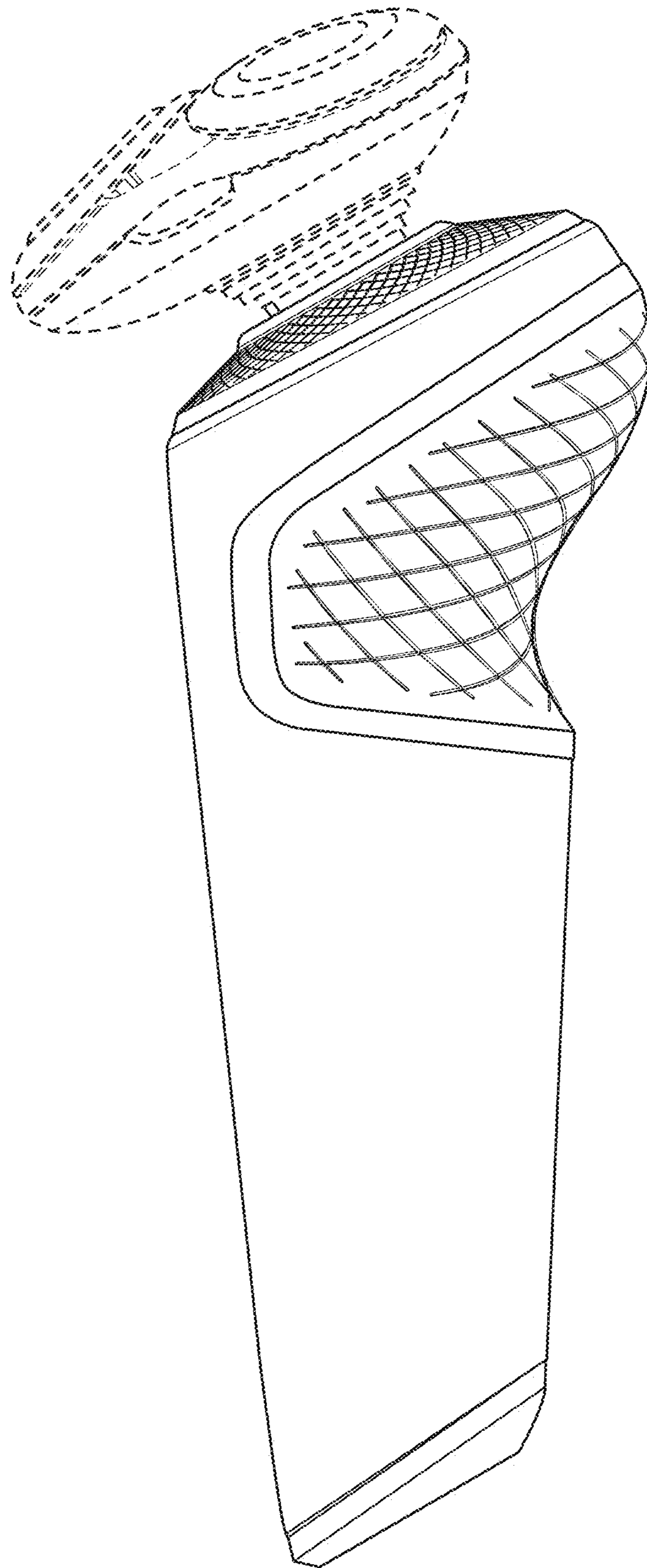


FIG. 26

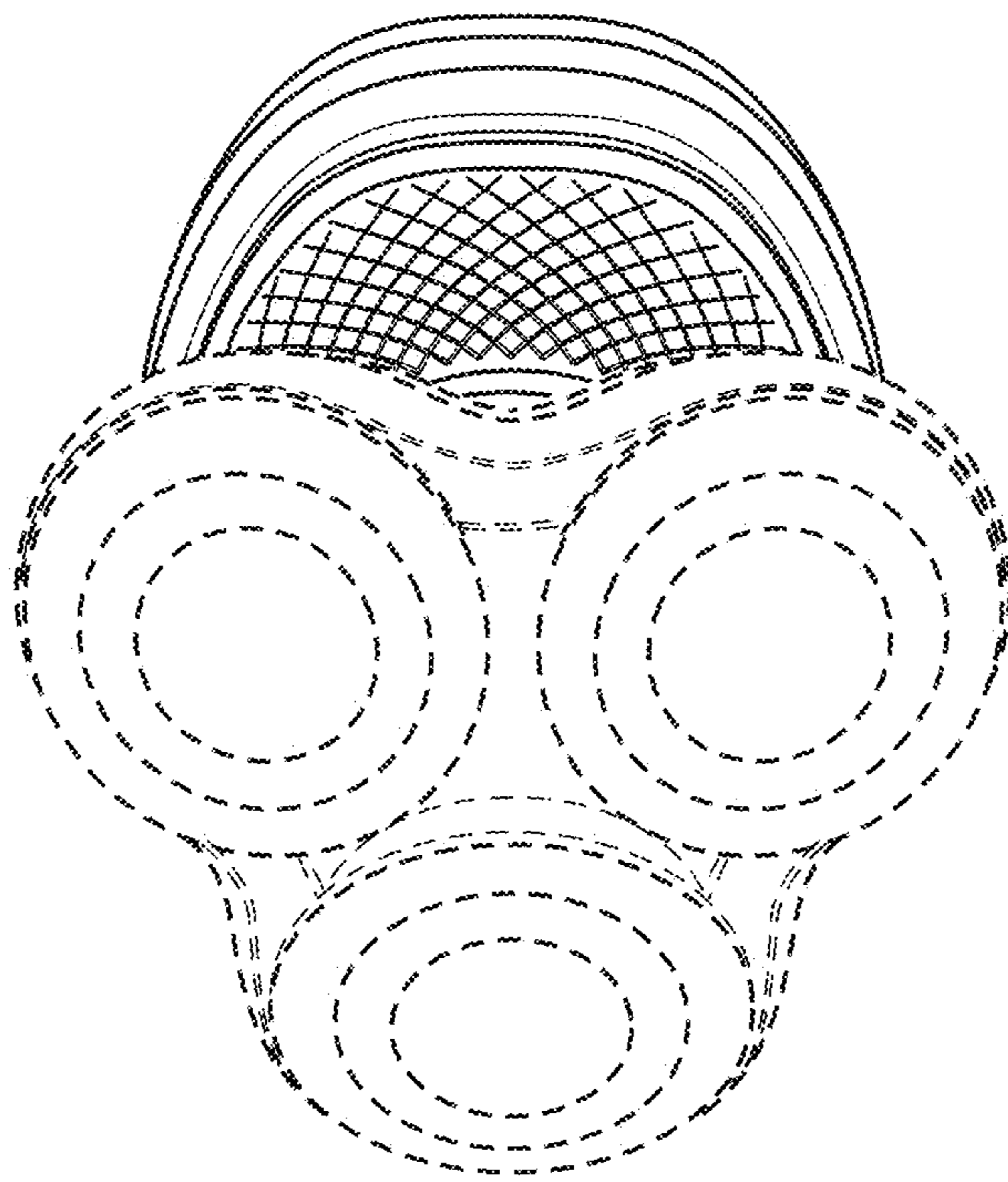


FIG. 27

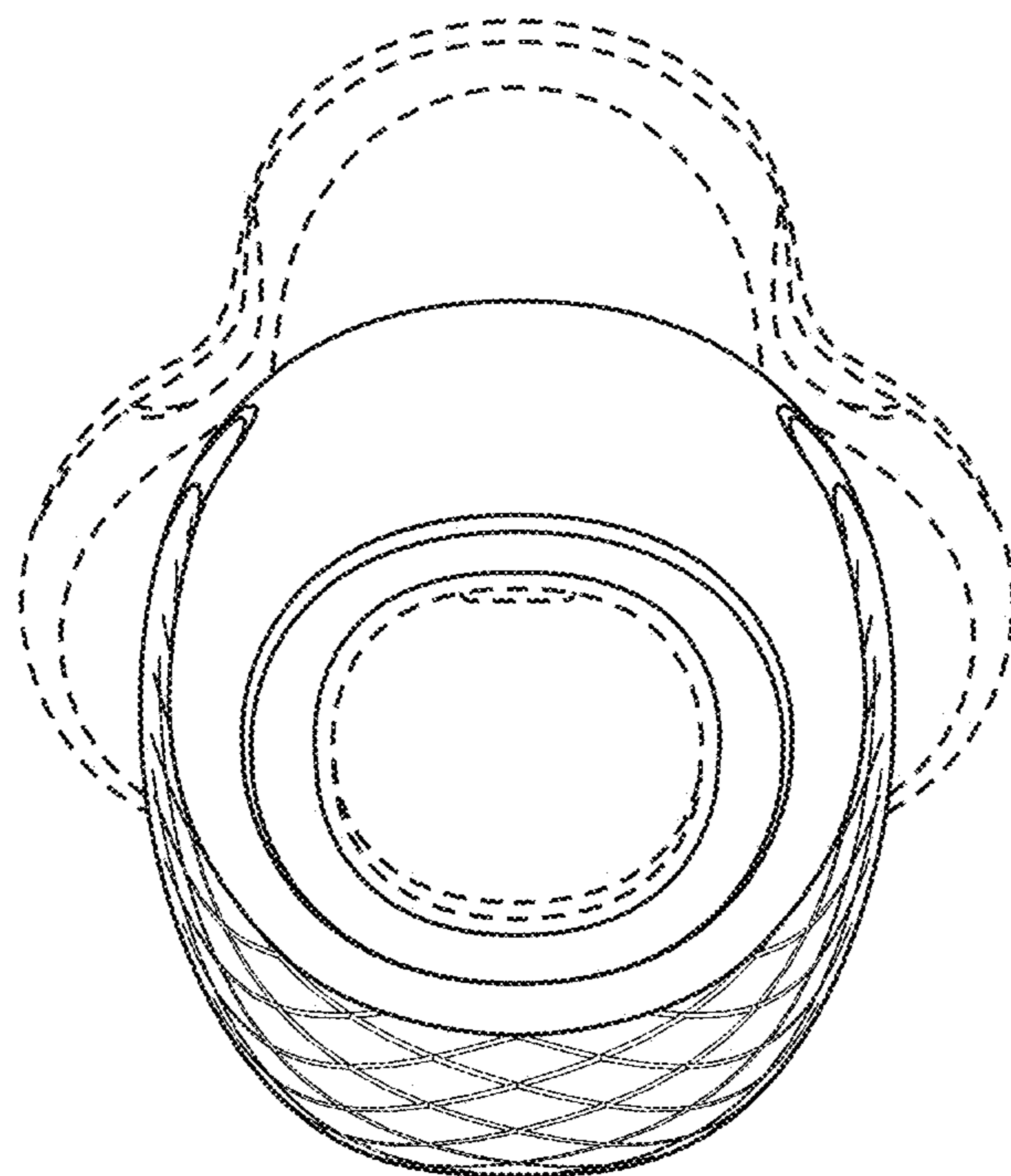


FIG. 28