



US00D889041S

(12) **United States Design Patent** (10) **Patent No.:** **US D889,041 S**  
**Chae** (45) **Date of Patent:** **\*\* Jun. 30, 2020**

(54) **RAZOR CARTRIDGE**  
(71) Applicant: **DORCO CO., LTD.**, Seoul (KR)  
(72) Inventor: **Suhyun Chae**, Seoul (KR)  
(73) Assignee: **DORCO CO., LTD.**, Seoul (KR)  
(\*\*) Term: **15 Years**  
(21) Appl. No.: **29/660,299**  
(22) Filed: **Aug. 20, 2018**

D630,797 S \* 1/2011 Witkus ..... D28/47  
D633,254 S \* 2/2011 Witkus ..... D28/47  
D639,507 S \* 6/2011 Furtek ..... D28/47  
D658,809 S \* 5/2012 Jessemey ..... D28/47  
D665,948 S \* 8/2012 Jessemey ..... D28/47  
8,359,752 B2 \* 1/2013 Bridges ..... B26B 21/4037  
30/50  
9,221,185 B2 \* 12/2015 Walker, Jr. .... B26B 21/4031  
D819,888 S \* 6/2018 Alphonso ..... D28/47  
D826,474 S \* 8/2018 Dryfhout ..... D28/47  
D827,932 S \* 9/2018 Alphonso ..... D28/47  
D843,058 S \* 3/2019 Fyfield ..... D28/46  
2012/0192431 A9 \* 8/2012 Wain ..... B26B 21/4031  
30/50

(30) **Foreign Application Priority Data**

Feb. 20, 2018 (KR) ..... 30-2018-0008429

(51) **LOC (12) Cl.** ..... **28-03**  
(52) **U.S. Cl.**  
USPC ..... **D28/47**

(58) **Field of Classification Search**  
USPC ..... D28/45-48  
CPC . B26B 21/40; B26B 21/4006; B26B 21/4012;  
B26B 21/4018; B26B 21/4025; B26B  
21/4031; B26B 21/4068; B26B 21/4075;  
B26B 21/4081; B26B 21/4087; B26B  
21/442; B26B 21/54-60

See application file for complete search history.

(56) **References Cited**

**U.S. PATENT DOCUMENTS**

3,413,720 A \* 12/1968 Mullen ..... B26B 21/06  
30/62  
D216,658 S \* 2/1970 Edmondson ..... D28/46  
D239,060 S \* 3/1976 Rees ..... D28/46  
5,313,705 A \* 5/1994 Rivers ..... B26B 21/4012  
30/50  
D601,753 S \* 10/2009 Cataudella ..... D28/47  
D602,634 S \* 10/2009 Cataudella ..... D28/46  
D616,147 S \* 5/2010 Adams ..... D28/46  
D630,377 S \* 1/2011 Wattam ..... D28/46

\* cited by examiner

*Primary Examiner* — Jennifer Rivard

(74) *Attorney, Agent, or Firm* — Lee, Hong, Degerman,  
Kang & Waimey

(57) **CLAIM**

The ornamental design for a razor cartridge, as shown and described.

**DESCRIPTION**

FIG. 1 is a front perspective view of a razor cartridge showing the new design;

FIG. 2 is a front view thereof;

FIG. 3 is a rear view thereof;

FIG. 4 is a left side view thereof;

FIG. 5 is a right side view thereof;

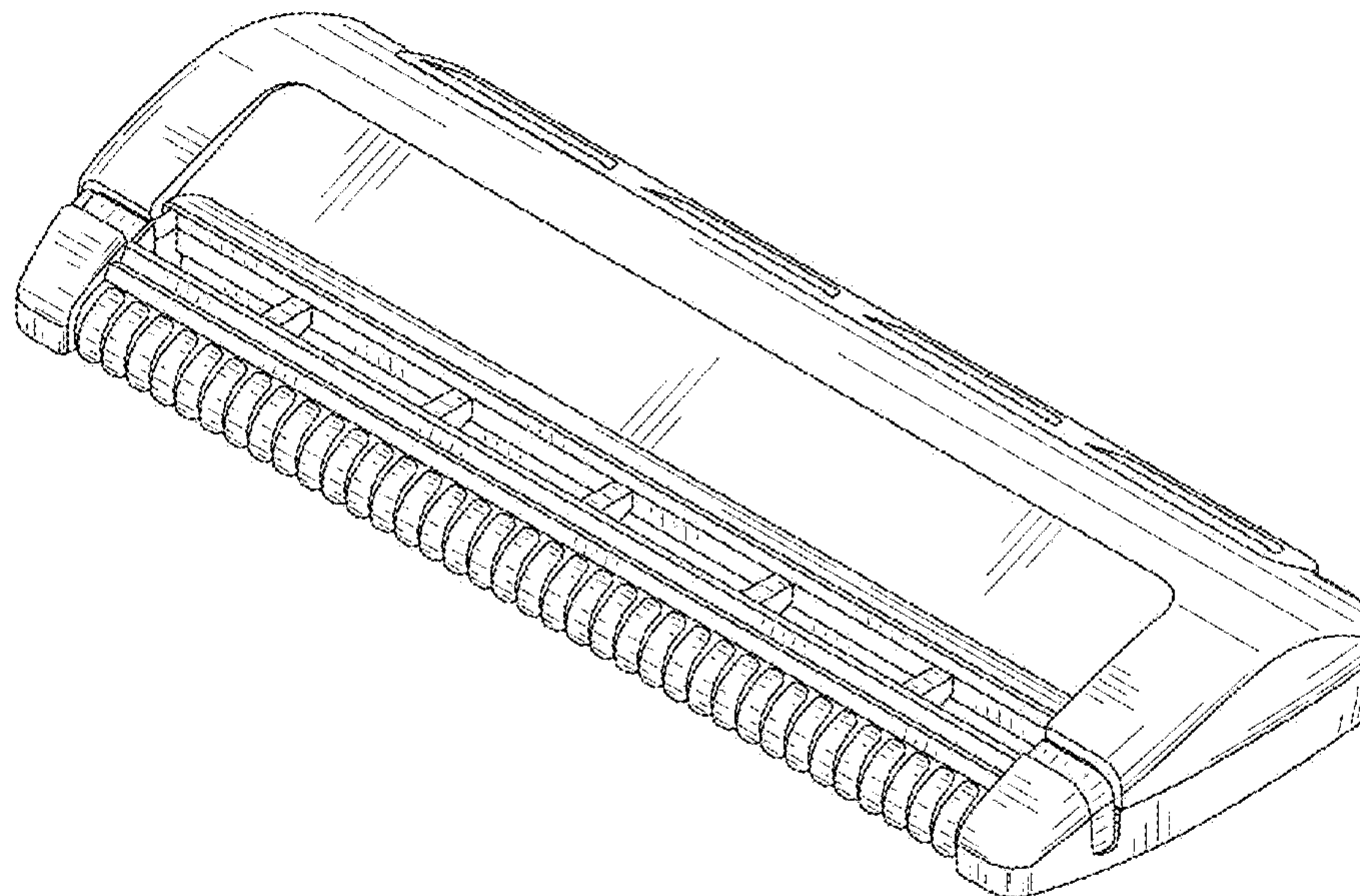
FIG. 6 is a top view thereof;

FIG. 7 is a bottom view thereof; and,

FIG. 8 is a perspective view showing the razor cartridge in context with a razor handle.

The broken line handle illustrates the environment of the razor cartridge, while the remaining broken lines illustrate portions of the razor cartridge. None of the broken line disclosure forms part of the claimed design.

**1 Claim, 6 Drawing Sheets**



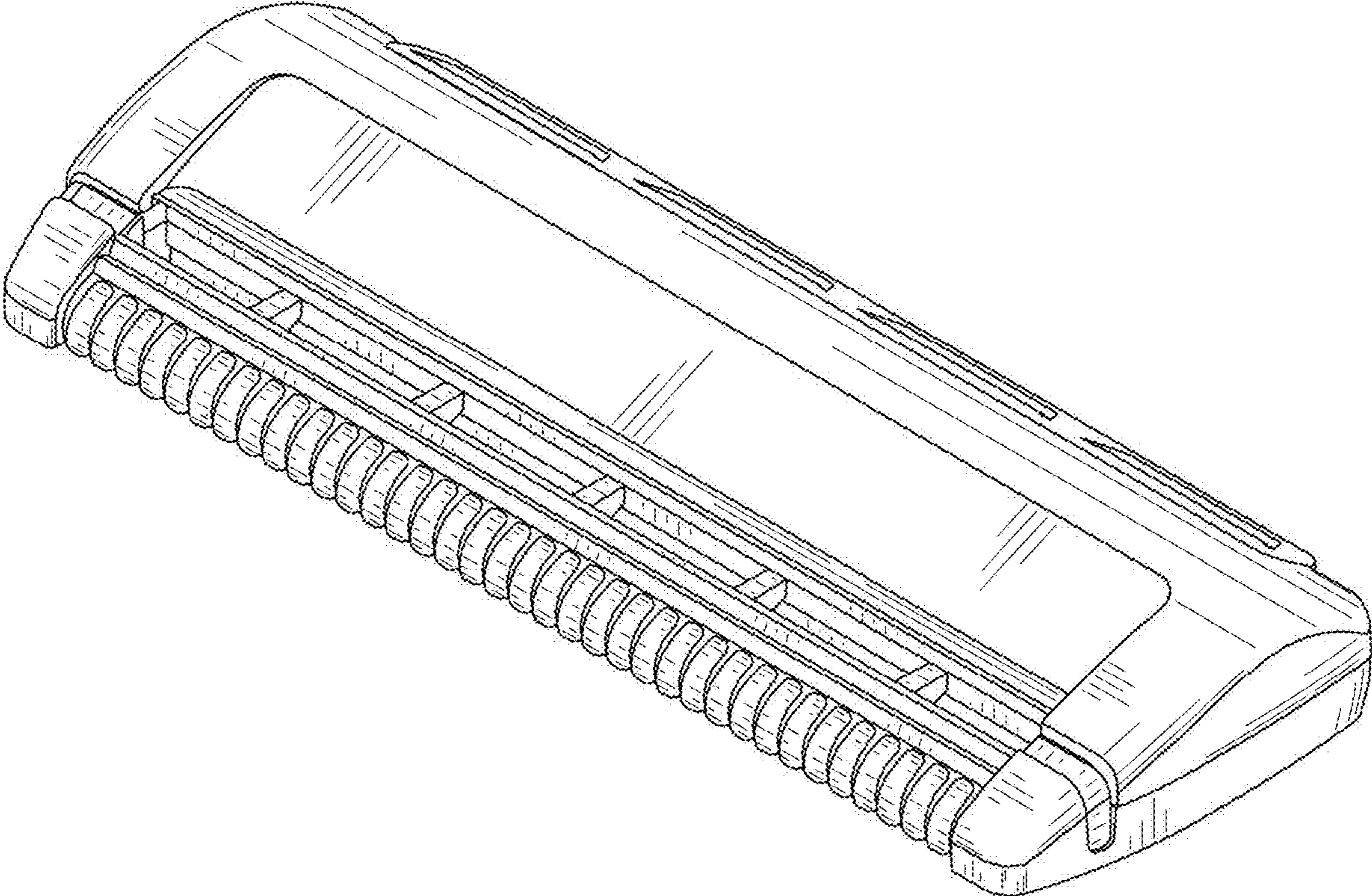


FIG. 1

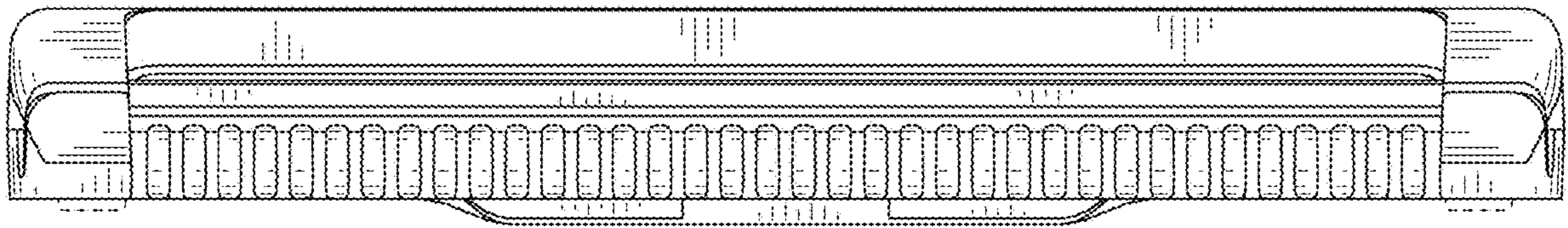


FIG. 2

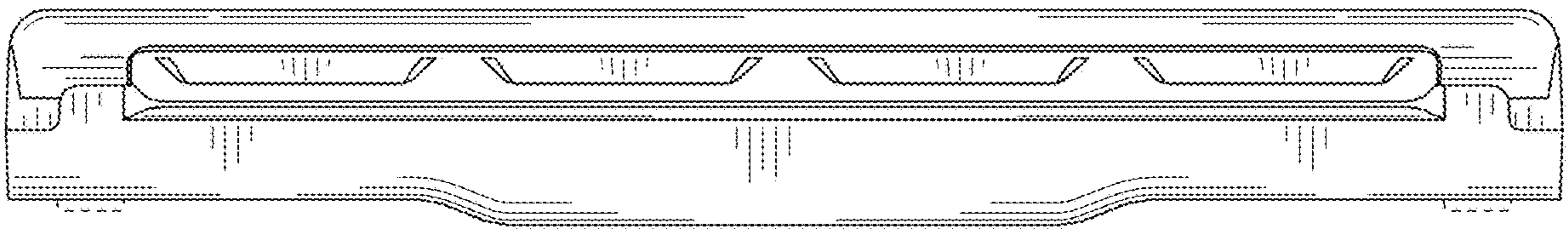
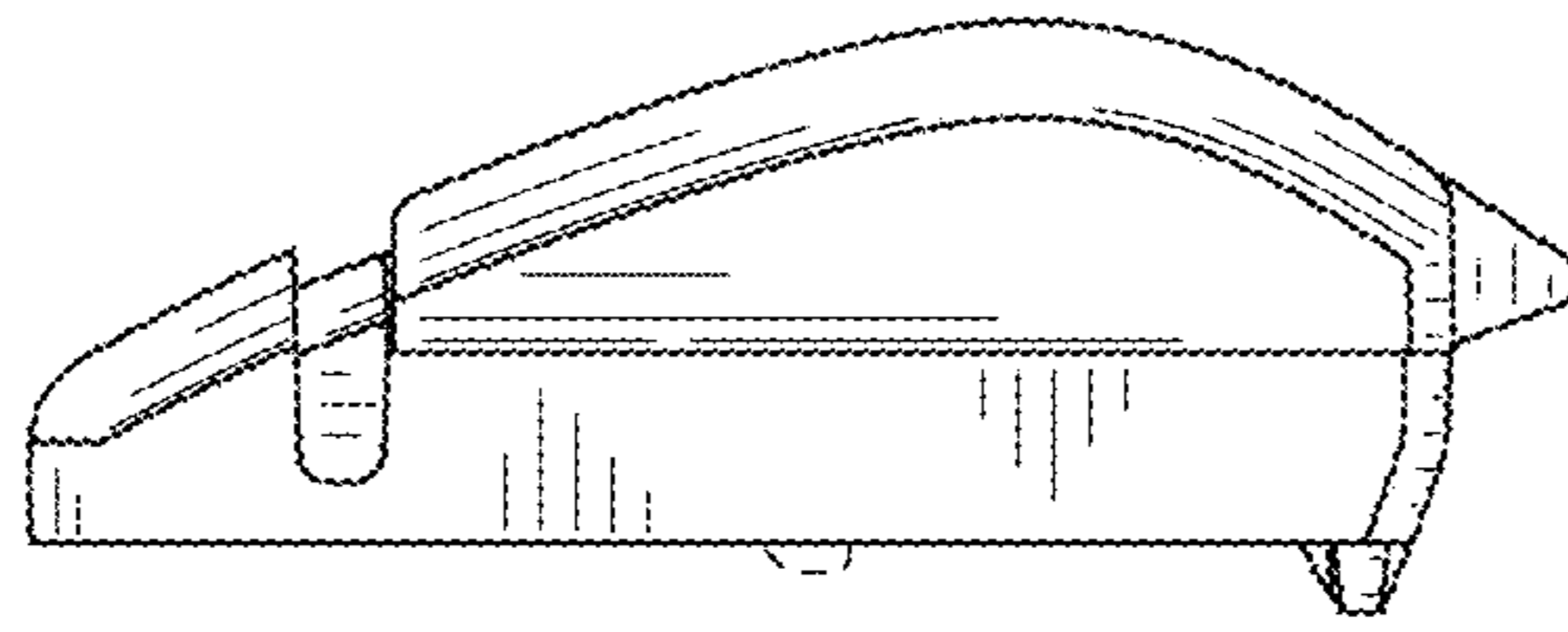
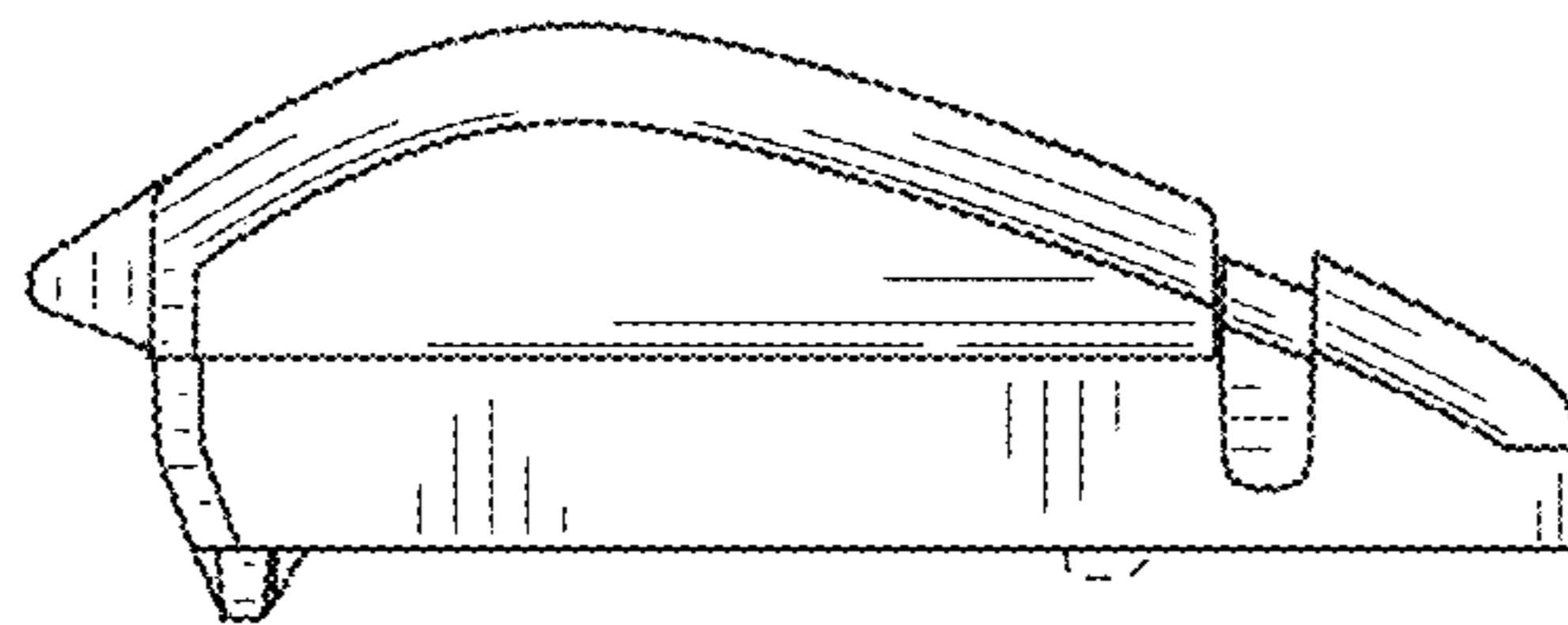


FIG. 3



**FIG. 4**



**FIG. 5**

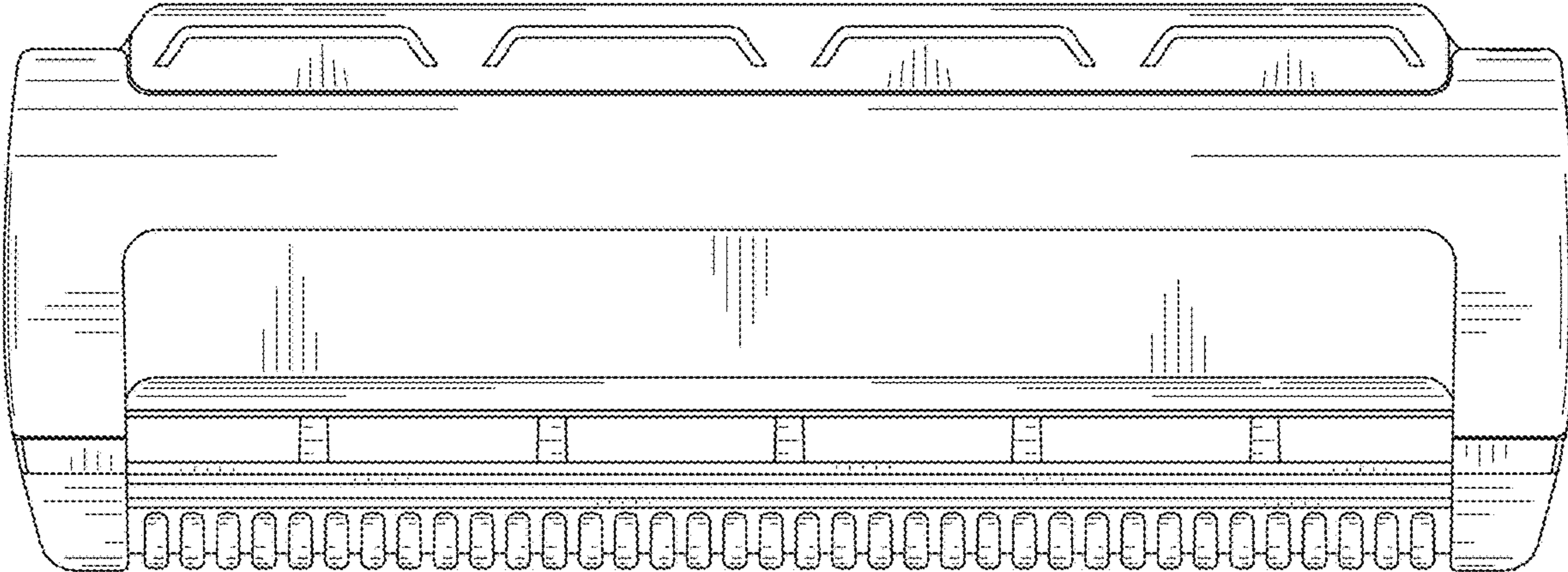


FIG. 6

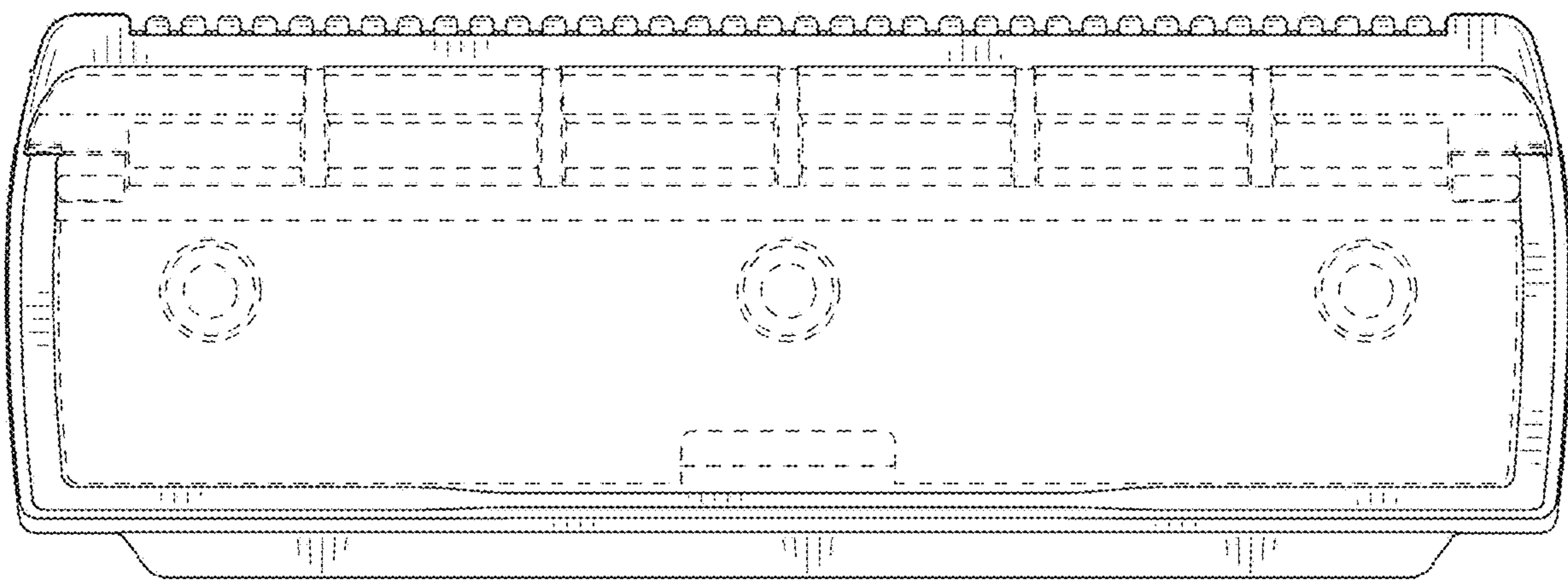


FIG. 7

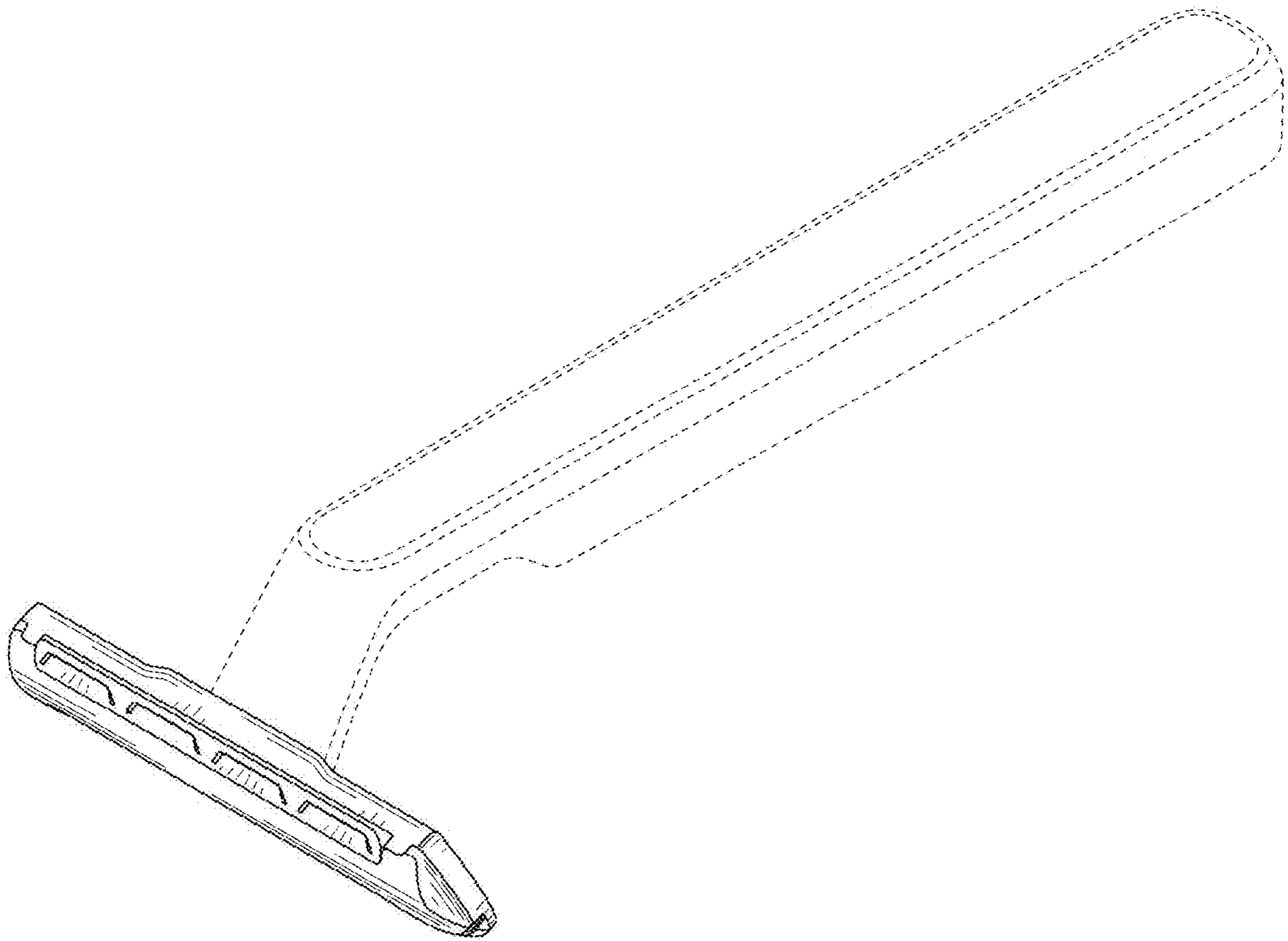


FIG. 8