



US00D889035S

(12) **United States Design Patent**
Cheung et al.

(10) **Patent No.:** **US D889,035 S**

(45) **Date of Patent:** **** *Jun. 30, 2020**

(54) **CASE**

(71) Applicant: **JUUL Labs, Inc.**, San Francisco, CA
(US)

(72) Inventors: **Brandon Cheung**, San Francisco, CA
(US); **Richard Johnson**, San Francisco,
CA (US); **Kevin Lomeli**, San Francisco,
CA (US); **James Monsees**, San
Francisco, CA (US); **Alexander**
Ringrose, Oakland, CA (US); **Roxolana**
Wacyk, San Francisco, CA (US)

(73) Assignee: **JUUL Labs, Inc.**, San Francisco, CA
(US)

(*) Notice: This patent is subject to a terminal dis-
claimer.

(**) Term: **15 Years**

(21) Appl. No.: **29/635,088**

(22) Filed: **Jan. 26, 2018**

(51) **LOC (12) Cl.** **27-06**

(52) **U.S. Cl.**
USPC **D27/186**

(58) **Field of Classification Search**
USPC D27/100, 101, 139–161, 162–196;
D23/366; D24/110; D19/101, 106, 115,
D19/165, 195; D7/416; D3/212, 247
CPC A24F 47/00; A24F 47/002; A24F 15/12;
A24F 1/32; A24F 15/18
See application file for complete search history.

(56) **References Cited**

U.S. PATENT DOCUMENTS

799,844 A 9/1905 Fuller
1,163,183 A 12/1915 Stoll
1,505,748 A 8/1924 Louis
1,706,244 A 3/1929 Louis

1,998,683 A 4/1935 Montgomery
2,231,909 A 2/1941 Hempal
D138,373 S * 7/1944 Crane 206/256
D139,041 S * 10/1944 Morrison D27/189
D141,079 S * 5/1945 Bogoff 220/DIG. 26

(Continued)

FOREIGN PATENT DOCUMENTS

AU 2017202891 A1 5/2017
CN 101869356 A 10/2010

(Continued)

OTHER PUBLICATIONS

JUUL Portable Charging Case . earliest review dated May 29, 2019.
found online [Jun. 14, 2019] [https://www.juul.com/shop/accessories/
portable-charging-case.*](https://www.juul.com/shop/accessories/portable-charging-case.*)

(Continued)

Primary Examiner — Marissa J Cash

(74) *Attorney, Agent, or Firm* — Mintz Levin Cohn Ferris
Glovsky and Popeo, P.C.

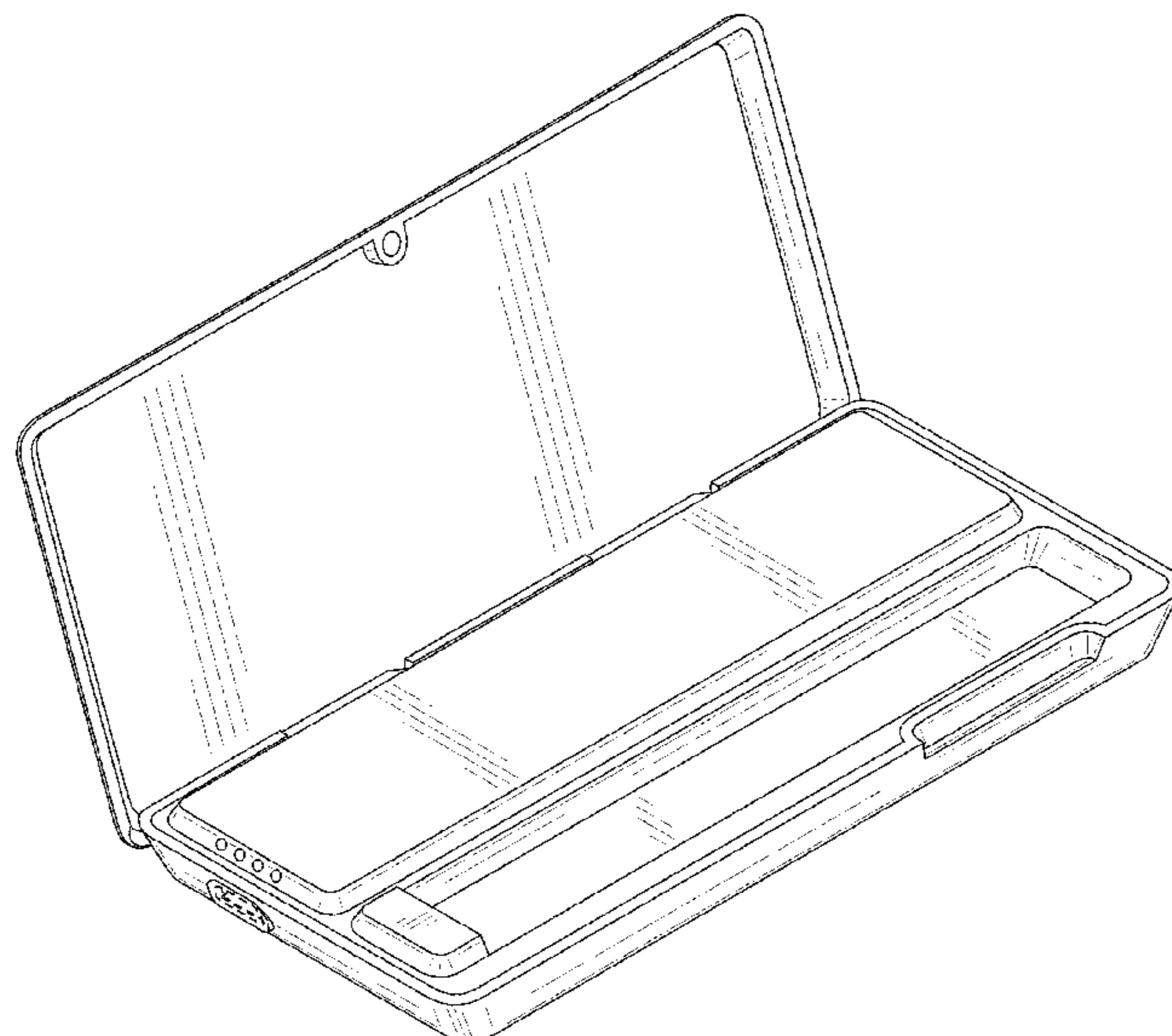
(57) **CLAIM**

The ornamental design for a case, as shown and described.

DESCRIPTION

FIG. 1 is a front, top, and right side perspective view of a case showing our new design;
FIG. 2 is a rear, top, and right side perspective view thereof;
FIG. 3 is a right side view thereof;
FIG. 4 is left side view thereof;
FIG. 5 is a front view thereof;
FIG. 6 is a rear view thereof;
FIG. 7 is a top view thereof; and,
FIG. 8 is a bottom view thereof.
The dash-dash broken lines illustrate portions of the case that form no part of the claimed design.

1 Claim, 8 Drawing Sheets



(56)

References Cited

U.S. PATENT DOCUMENTS

D248,244 S	6/1978	Beleckis	
4,207,976 A	6/1980	Herman	
4,798,310 A	1/1989	Kasai et al.	
D332,324 S *	1/1993	Howey, Jr.	D27/128
D352,601 S *	11/1994	Dallaire	D28/78
D379,010 S *	4/1997	Digianni	D27/189
D379,553 S *	5/1997	DiGianni	D27/189
D380,063 S *	6/1997	Digianni	D27/189
D384,821 S *	10/1997	Sugar	D27/186
D384,822 S *	10/1997	Sugar	D27/186
D385,653 S *	10/1997	Wicker	D27/187
D398,715 S *	9/1998	Descalzo	D27/186
D409,329 S *	5/1999	Bucher	D27/186
D414,891 S *	10/1999	Schmaling	D27/186
5,967,310 A	10/1999	Hill	
D416,105 S *	11/1999	Garrison	D27/189
6,726,006 B1	4/2004	Funderburk et al.	
D514,741 S	2/2006	Cohen Harel	
D527,182 S *	8/2006	Ham	D3/274
D536,480 S	2/2007	Park	
D595,454 S *	6/2009	Fuente	D27/189
D596,350 S *	7/2009	Fuente	D27/189
D596,788 S *	7/2009	Fuente	D27/189
D612,094 S *	3/2010	Bellamah	D27/189
D626,688 S *	11/2010	Gibson	D27/183
D656,093 S *	3/2012	Nomi	D13/107
D656,496 S	3/2012	Andre et al.	
D664,636 S	7/2012	Robinson et al.	
D666,811 S *	9/2012	Yang	D3/247
D681,268 S	4/2013	Wu	
D689,818 S	9/2013	Sasada	
D692,177 S *	10/2013	Angiolillo	D27/189
D692,615 S *	10/2013	Verleur	D27/186
D693,054 S *	11/2013	Verleur	D27/189
D697,715 S *	1/2014	Dietrich	D3/247
8,794,244 B2	8/2014	Hammel et al.	
D715,051 S *	10/2014	Tung	D3/294
D719,701 S	12/2014	Scatterday	
8,910,783 B2	12/2014	Liu	
D723,735 S	3/2015	Liu	
D725,823 S	3/2015	Scatterday et al.	
8,967,382 B2	3/2015	Liu	
8,978,663 B2	3/2015	Newton	
9,078,472 B2	7/2015	Liu	
9,089,166 B1	7/2015	Scatterday	
9,155,336 B2	10/2015	Liu	
9,198,464 B2	12/2015	Liu	
9,226,526 B2	1/2016	Liu	
D752,808 S	3/2016	Hearn	
9,271,525 B2	3/2016	Liu	
9,271,526 B2	3/2016	Liu	
D754,920 S *	4/2016	Domon	D27/189
9,302,825 B2	4/2016	Liu	
D760,431 S	6/2016	Liu	
9,357,802 B2	6/2016	Liu	
D770,679 S	11/2016	Weigensberg	
D772,480 S	11/2016	Hua	
9,504,278 B2	11/2016	Liu	
D776,340 S *	1/2017	Seibel	D27/189
D779,726 S *	2/2017	Bennett	D27/189
D789,599 S *	6/2017	Kesselman	D27/189
9,668,522 B2	6/2017	Memari et al.	
D793,004 S	7/2017	Liu	
D800,380 S	10/2017	Williams et al.	
9,775,380 B2	10/2017	Fernando et al.	
D806,312 S *	12/2017	Leon	D27/183
D811,005 S *	2/2018	Fath	D27/189
D812,289 S *	3/2018	Ward	D27/172
D812,290 S *	3/2018	Ward	D27/172
D815,346 S	4/2018	Bagai	
D818,195 S *	5/2018	Burger	D27/186
D818,640 S *	5/2018	Kakoun	D27/189
D824,094 S	7/2018	Rein	
D825,102 S *	8/2018	Bowen	D27/167
D829,375 S	9/2018	Huang et al.	
D829,982 S	10/2018	Wang	
D829,983 S	10/2018	Wang	
D830,626 S	10/2018	Gu	
D833,671 S	11/2018	Stephane	
D836,832 S *	12/2018	Kesselman	D27/186
10,194,689 B2 *	2/2019	Schennum	A45C 13/007
2002/0088469 A1	7/2002	Rennecamp	
2009/0014019 A1 *	1/2009	Park	A24F 25/00 131/328
2009/0283103 A1	11/2009	Nielsen et al.	
2010/0301032 A1	12/2010	Johnson	
2010/0307518 A1	12/2010	Wang	
2010/0313901 A1	12/2010	Fernando et al.	
2011/0120482 A1 *	5/2011	Brenneise	A24F 47/008 131/328
2011/0265806 A1	11/2011	Alarcon et al.	
2012/0103842 A1 *	5/2012	Koester	A14F 17/00 206/273
2012/0227753 A1	9/2012	Newton	
2013/0146489 A1	6/2013	Scatterday	
2013/0220847 A1	8/2013	Fisher et al.	
2013/0336358 A1	12/2013	Liu	
2013/0342157 A1	12/2013	Liu	
2014/0007892 A1	1/2014	Liu	
2014/0020697 A1	1/2014	Liu	
2014/0041655 A1 *	2/2014	Barron	A61M 11/042 128/202.21
2014/0053856 A1	2/2014	Liu	
2014/0053858 A1	2/2014	Liu	
2014/0130797 A1	5/2014	Liu	
2015/0034507 A1	2/2015	Liu	
2015/0041482 A1	2/2015	Liu	
2015/0059779 A1	3/2015	Alarcon et al.	
2015/0100441 A1	4/2015	Alarcon et al.	
2015/0101945 A1	4/2015	Scatterday	
2015/0102777 A1	4/2015	Cooper	
2015/0114410 A1	4/2015	Doster	
2015/0164138 A1	6/2015	Liu	
2015/0201676 A1	7/2015	Shin	
2015/0245654 A1	9/2015	Memari et al.	
2015/0327596 A1	11/2015	Alarcon et al.	
2015/0332379 A1	11/2015	Alarcon	
2015/0333561 A1	11/2015	Alarcon	
2016/0091194 A1	3/2016	Liu	
2016/0095353 A1	4/2016	Liu	
2016/0101909 A1	4/2016	Schennum et al.	
2016/0113323 A1	4/2016	Liu	
2016/0120218 A1	5/2016	Schennum et al.	
2016/0134143 A1	5/2016	Liu	
2016/0165952 A1	6/2016	Liu	
2016/0204637 A1	7/2016	Alarcon et al.	
2016/0206000 A1	7/2016	Lord et al.	
2016/0366933 A1	12/2016	Liu	
2016/0374390 A1	12/2016	Liu	
2017/0013875 A1	1/2017	Schennum et al.	
2017/0027221 A1	2/2017	Liu	
2017/0050798 A1	2/2017	Ludewig et al.	
2017/0101256 A1	4/2017	Zeitlin et al.	
2017/0119044 A1	5/2017	Oligschlaeger et al.	
2017/0150758 A1	6/2017	Fernando et al.	
2017/0181471 A1	6/2017	Phillips et al.	
2017/0207499 A1	7/2017	Leadley	
2017/0208865 A1	7/2017	Nettenstrom et al.	
2017/0214261 A1	7/2017	Gratton	
2017/0222468 A1	8/2017	Schennum et al.	
2017/0290371 A1	10/2017	Davis et al.	
2017/0334605 A1	11/2017	Murphy et al.	
2018/0141714 A1 *	5/2018	Kanbar	B65D 25/04
2019/0158938 A1 *	5/2019	Bowen	H04W 4/20
2019/0159519 A1 *	5/2019	Bowen	A24F 47/008

FOREIGN PATENT DOCUMENTS

CN	304067429	3/2017
EP	3031338 A1	6/2016
EP	3143882 A3	3/2017
KR	3005136090000	11/2008
WO	WO-2014117382 A1	8/2014

(56)

References Cited

FOREIGN PATENT DOCUMENTS

WO	WO-2014185937	A1	11/2014
WO	WO-2015015156	A1	2/2015
WO	WO-2015174657	A1	11/2015
WO	WO-2015196395	A1	12/2015
WO	WO-2016106483	A1	7/2016
WO	WO-2016149942	A1	9/2016
WO	WO-2017173947	A1	10/2017

OTHER PUBLICATIONS

Brik—Slimmest Portable JUUL Charging Case by Brik . earliest review date: Jun. 3, 2018. found online [Dec. 20, 2018] <https://brikcharger.com/products/brik?gclid=EAlalQobChM175ffobrnv3w1VTIqGCh08BwU6EAQYASABEgIWvPD BwE#shopify-product-reviews>.

* cited by examiner



FIG. 1

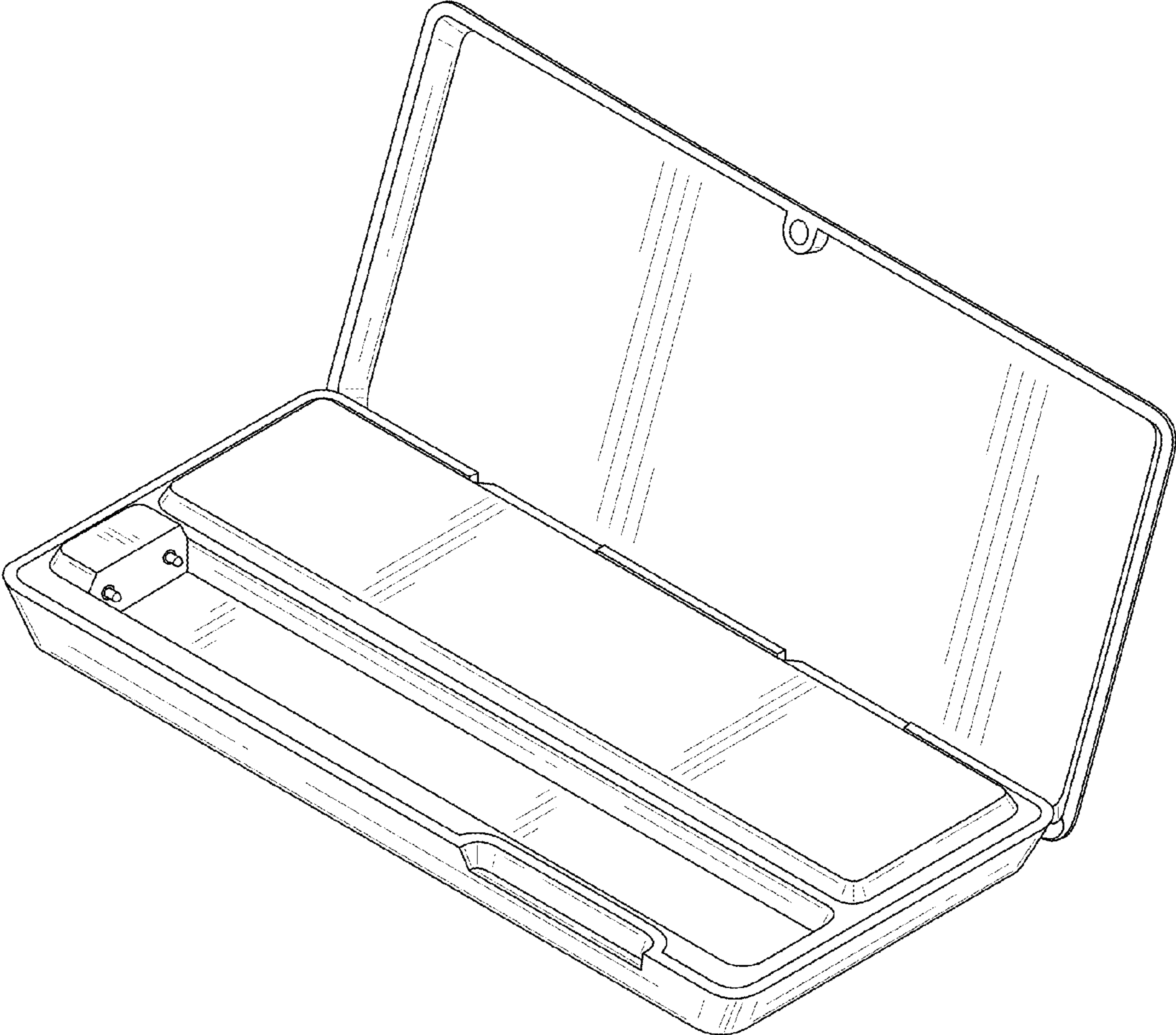


FIG. 2

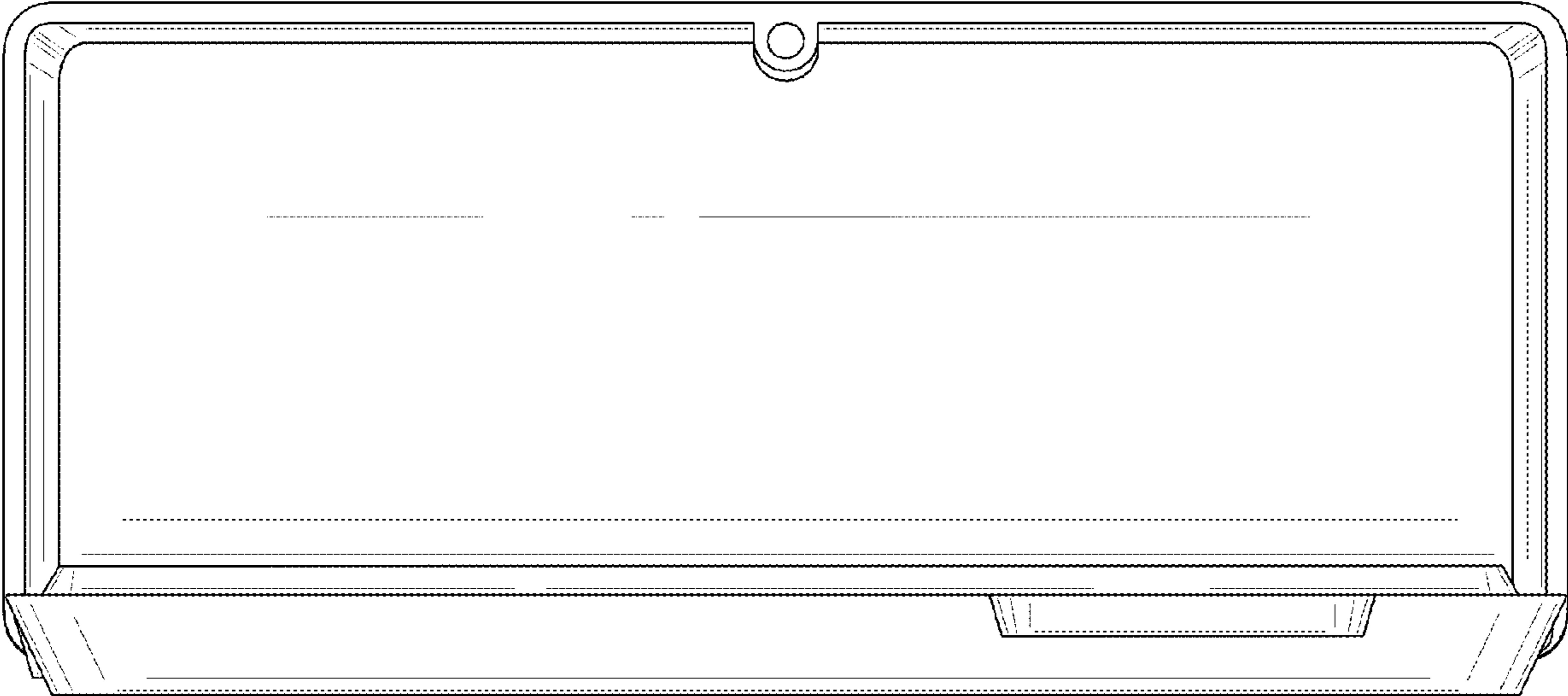


FIG. 3

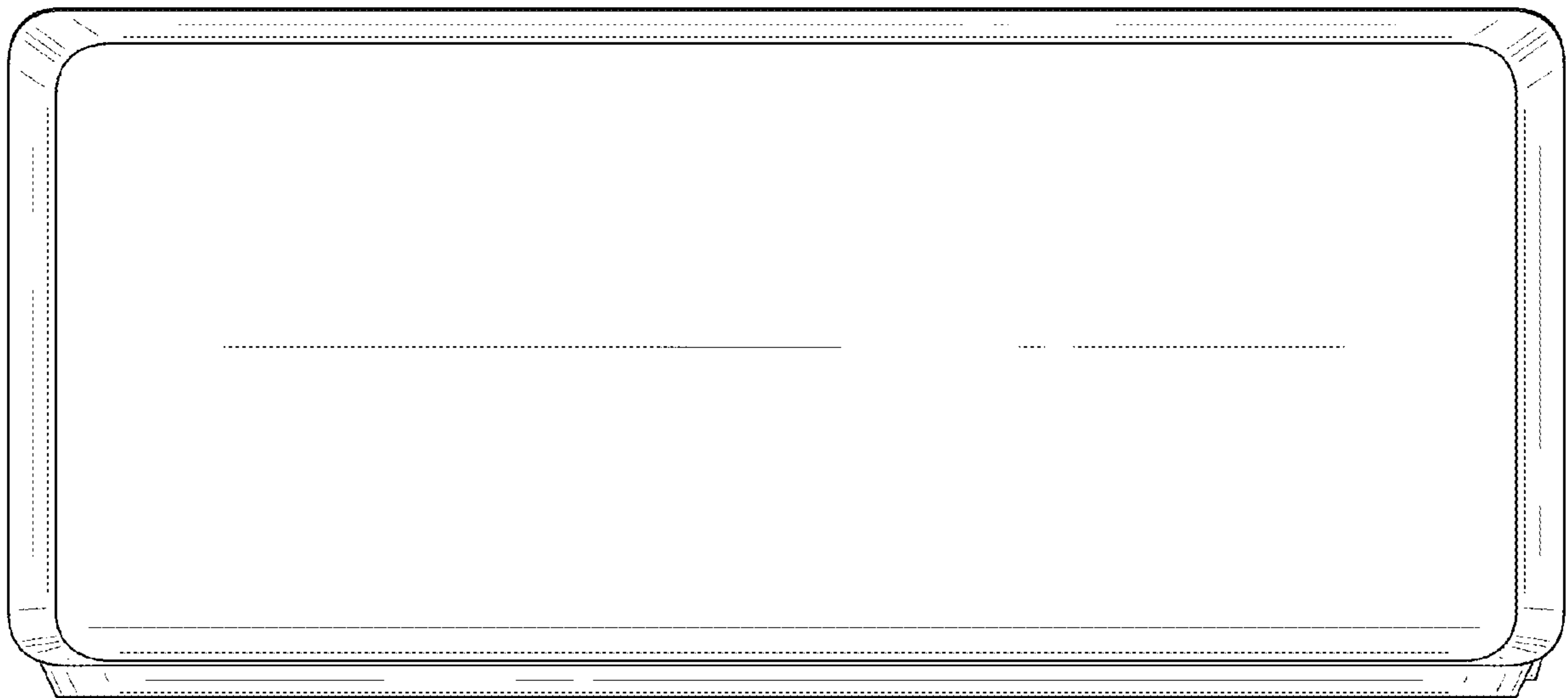


FIG. 4

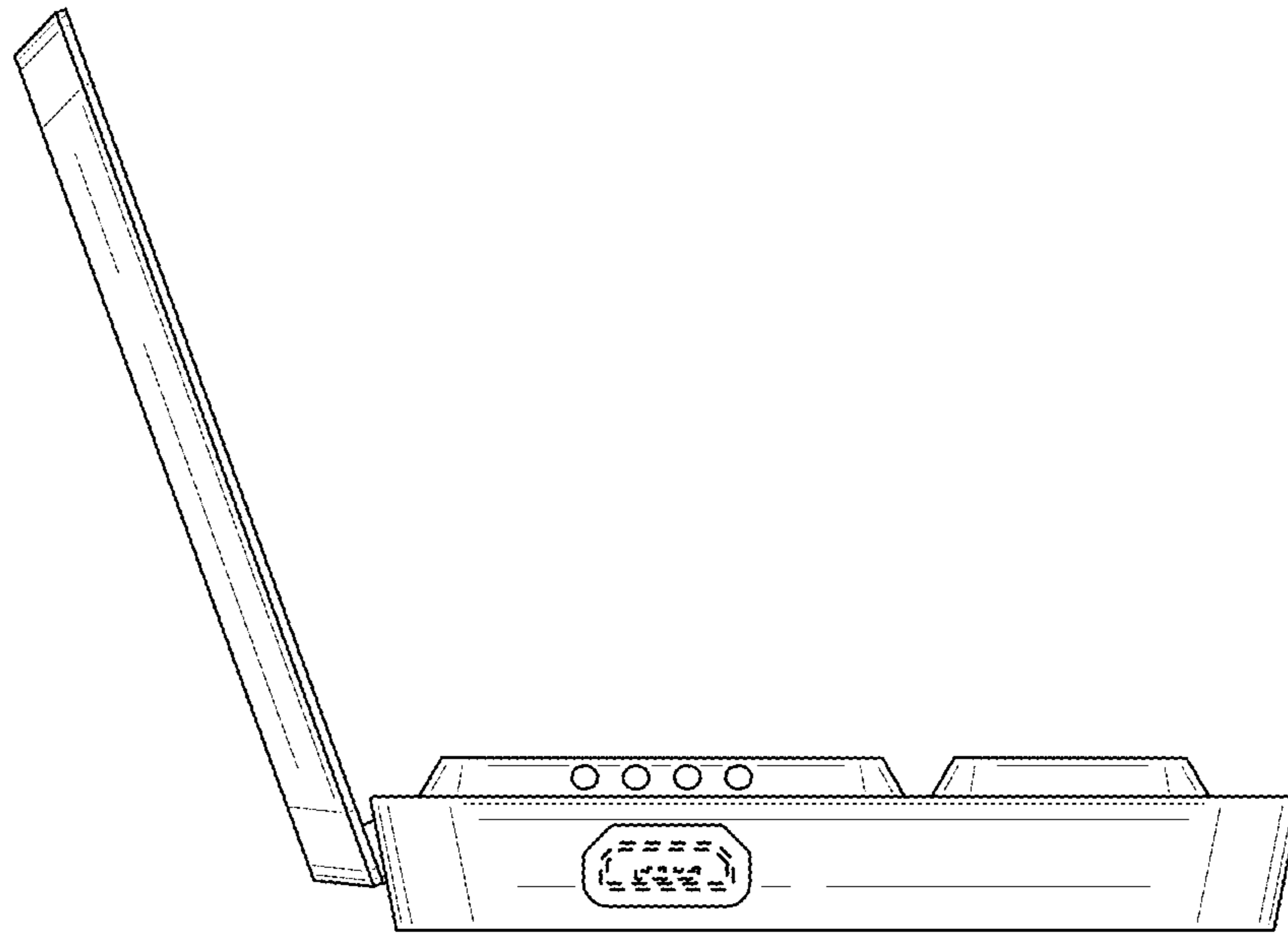


FIG. 5

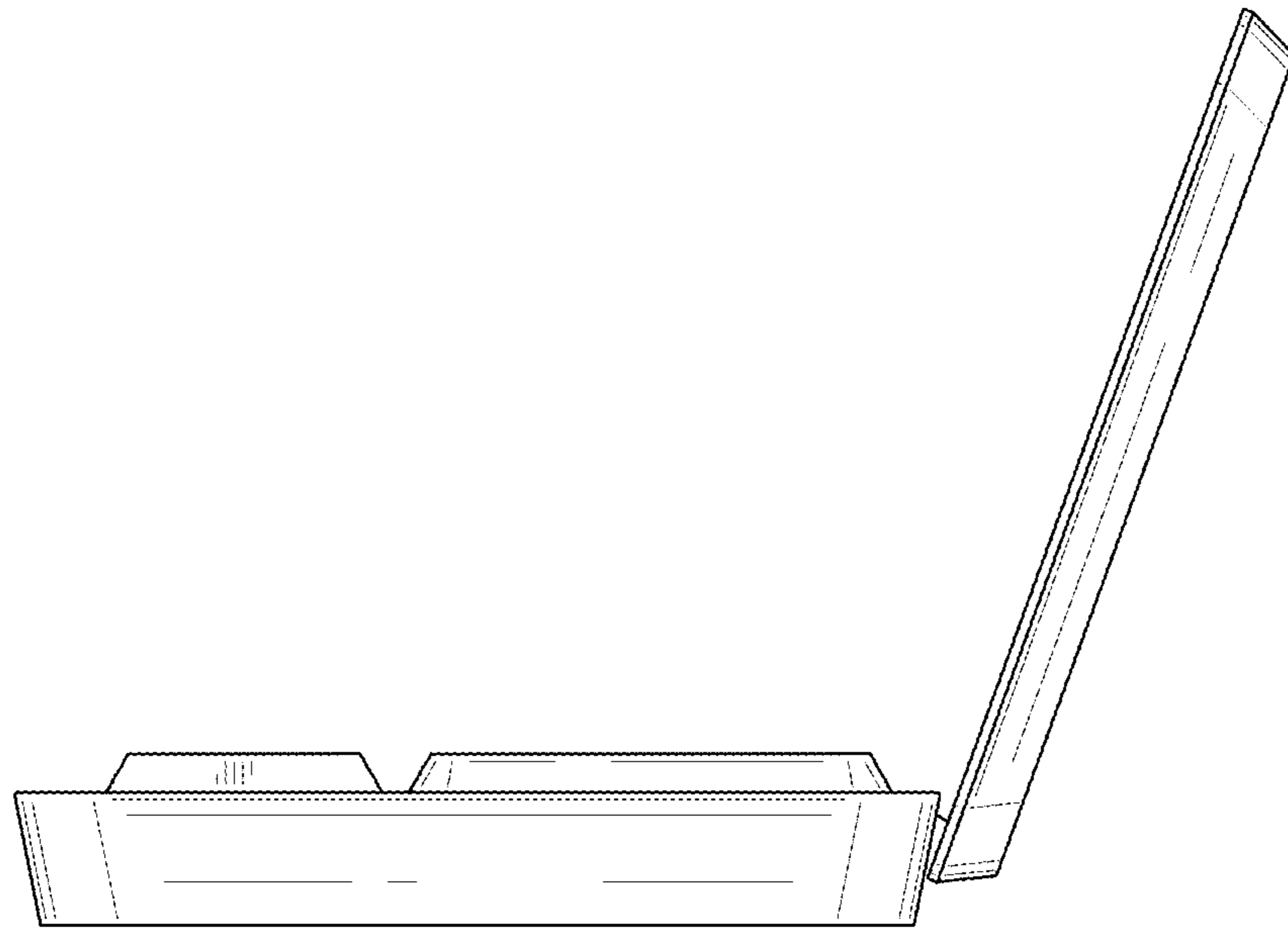


FIG. 6

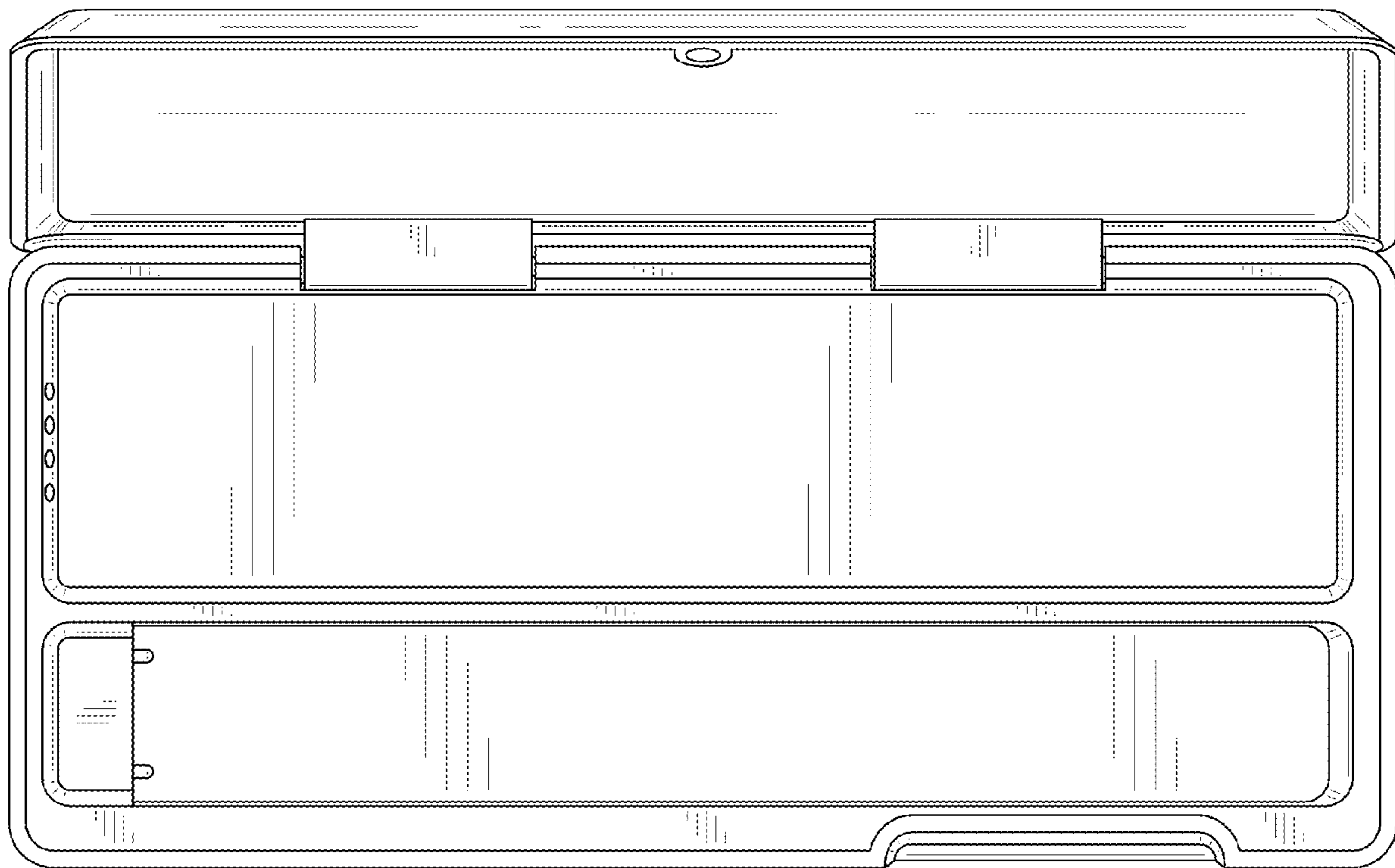


FIG. 7

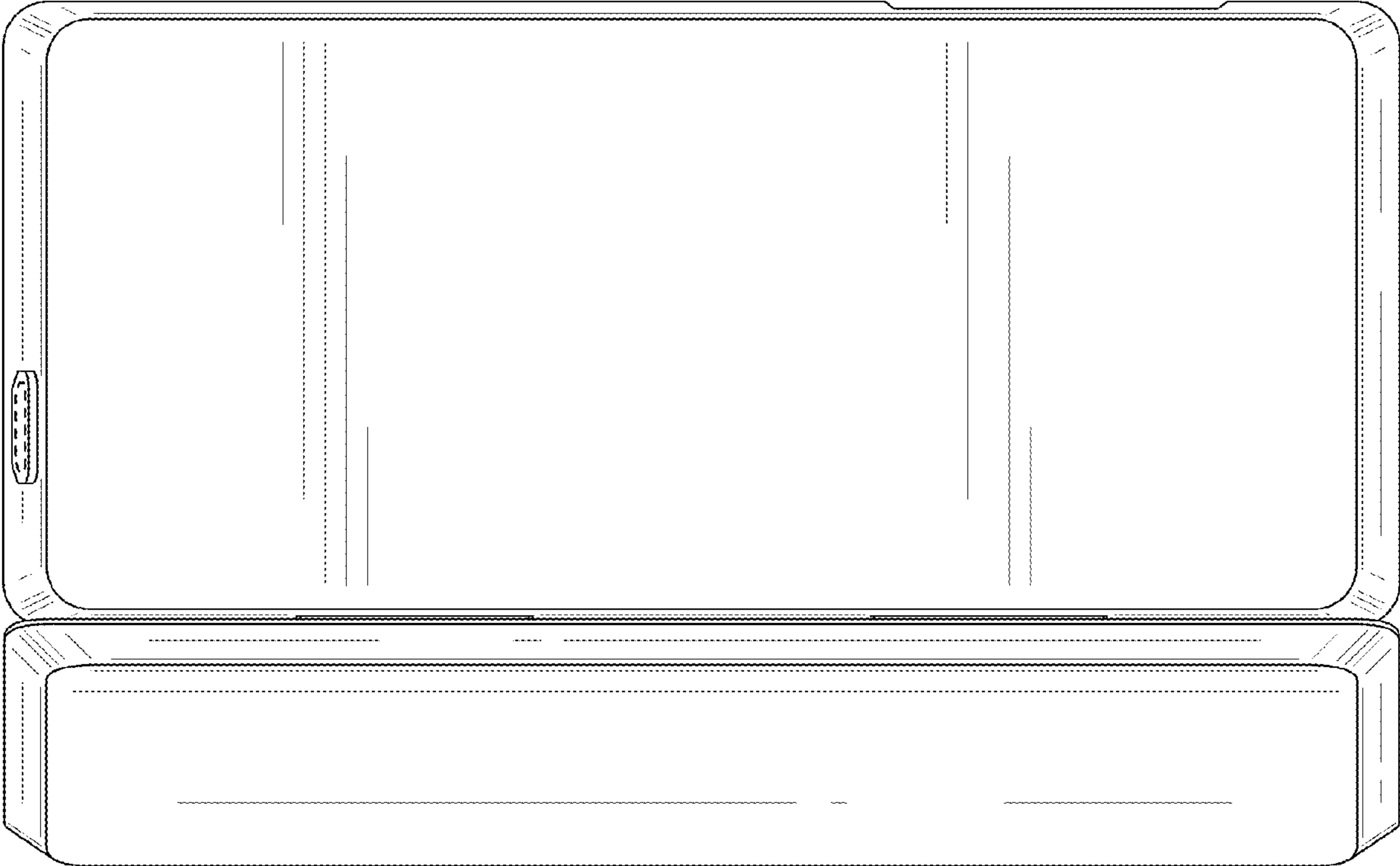


FIG. 8