



US00D889033S

(12) **United States Design Patent**
Murray et al.

(10) **Patent No.:** **US D889,033 S**
(45) **Date of Patent:** **** Jun. 30, 2020**

(54) **ELECTRONIC CIGARETTE**
(71) Applicant: **Nerudia Limited**, Liverpool (GB)
(72) Inventors: **Samantha Murray**, Liverpool (GB);
Edward Ross Shenton, Liverpool
(GB); **Chris Lord**, Liverpool (GB)
(73) Assignee: **NERUDIA LIMITED** (GB)
(**) Term: **15 Years**

D792,643 S * 7/2017 Wong D27/101
D799,110 S * 10/2017 Qiu D27/101
D811,003 S * 2/2018 Folyan D27/101
D819,881 S * 6/2018 Qiu D27/101
D825,102 S * 8/2018 Bowen D27/167
D827,195 S * 8/2018 Chen D27/101
D829,371 S * 9/2018 Durand D27/101
D829,980 S * 10/2018 Qiu D27/162
D834,246 S * 11/2018 Qiu D27/162
D837,446 S * 1/2019 Durand D27/101
D844,229 S * 3/2019 Sherwood D27/162
D855,251 S * 7/2019 Qiu D27/162
2016/0286860 A1 * 10/2016 Flayler A24F 47/008

(21) Appl. No.: **29/661,373**
(22) Filed: **Aug. 27, 2018**
(30) **Foreign Application Priority Data**

Feb. 26, 2018 (EM) 004725950-0003

(51) **LOC (12) Cl.** **27-02**

(52) **U.S. Cl.**
USPC **D27/162**

(58) **Field of Classification Search**
USPC D27/162, 100, 101, 163, 164, 165, 172,
D27/174, 175, 176, 183, 185-194;
D24/110, 110.5; 128/202.21, 203.12;
131/273, 274, 270, 191, 328, 329, 330,
131/360-365; 141/319, 320, 295
CPC A24F 47/002; A24F 47/006; A24F 47/008;
A61M 15/00; A61M 15/06
See application file for complete search history.

(56) **References Cited**

U.S. PATENT DOCUMENTS

D260,690 S * 9/1981 Stutzer D27/154
D346,581 S * 5/1994 Tattari D13/103
D477,275 S * 7/2003 Wada D13/103
D725,821 S * 3/2015 Levin D27/101
D750,320 S * 2/2016 Verleur A24F 47/008
D27/101
D776,337 S * 1/2017 Levin D27/101

OTHER PUBLICATIONS

https://www.amazon.com/Skinit-Royal-Premium-Wraps-Device/dp/B07FDLHN49/ref=sr_1_17? (Apr. 17, 2019).*

* cited by examiner

Primary Examiner — Marissa J Cash
Assistant Examiner — Rebecca Tsehaye
(74) *Attorney, Agent, or Firm* — Brandon V. Zuniga;
James R. Gourley; Carstens & Cahoon, LLP

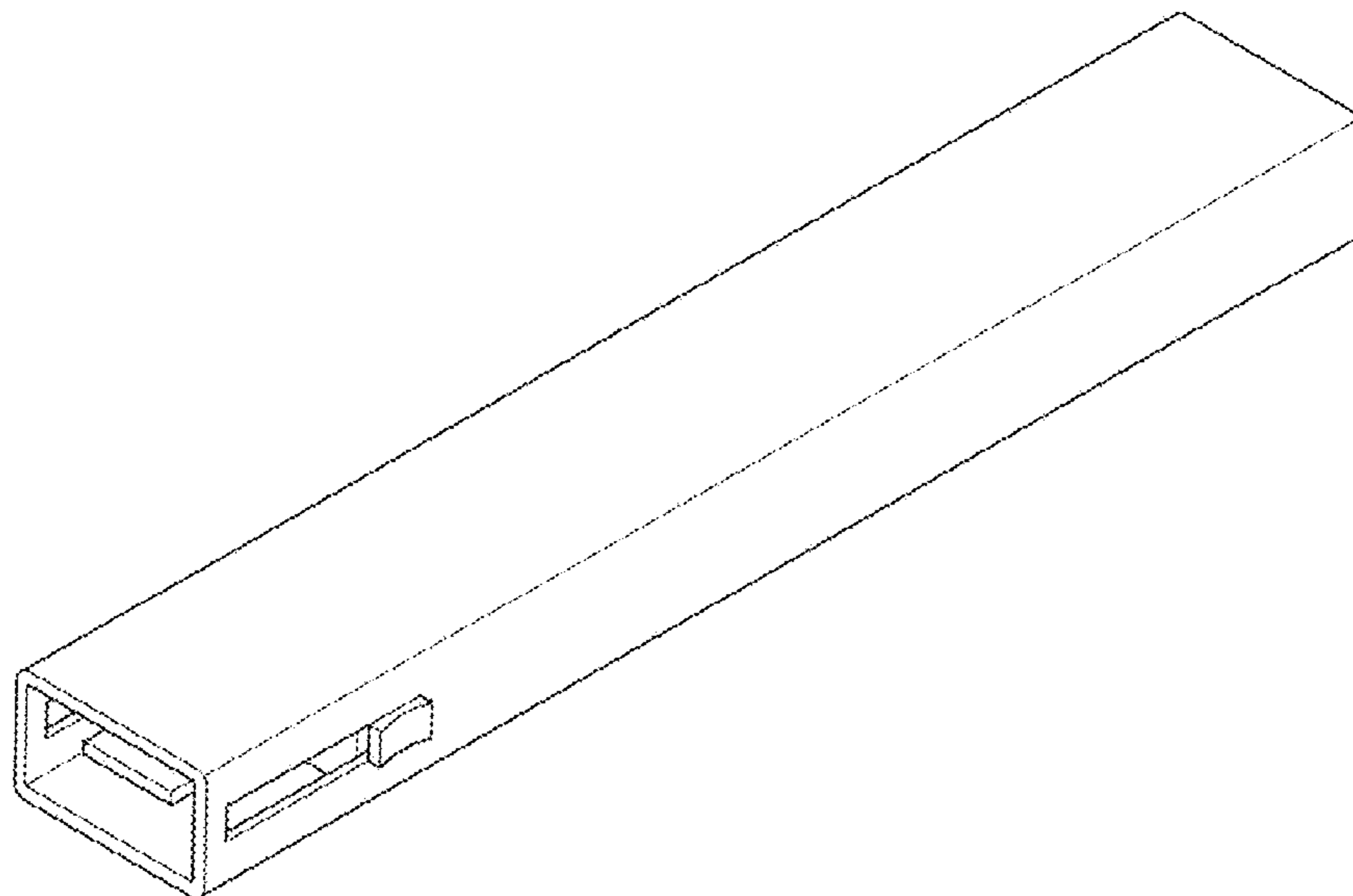
(57) **CLAIM**

The ornamental design for an electronic cigarette, as shown and described.

DESCRIPTION

FIG. 1 is a perspective view of an electronic cigarette of the present design;
FIG. 2 is a right side view thereof;
FIG. 3 is a left side view thereof;
FIG. 4 is a front view thereof;
FIG. 5 is a rear view thereof;
FIG. 6 is top view thereof; and,
FIG. 7 is a bottom view thereof.
The broken lines in the drawings depict portions of the electronic cigarette that form no part of the claimed design.

1 Claim, 7 Drawing Sheets



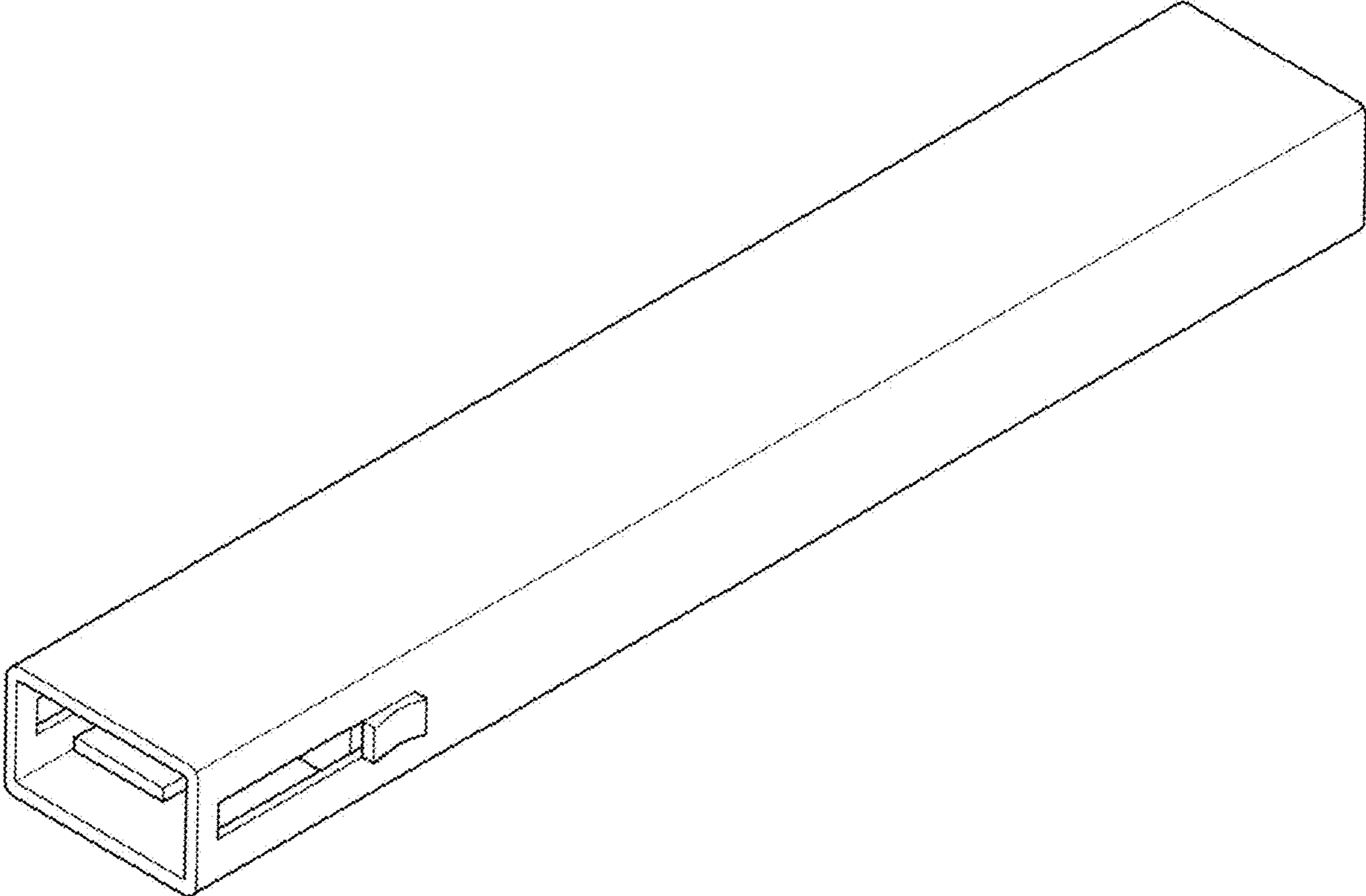


FIG. 1



FIG. 2



FIG. 3

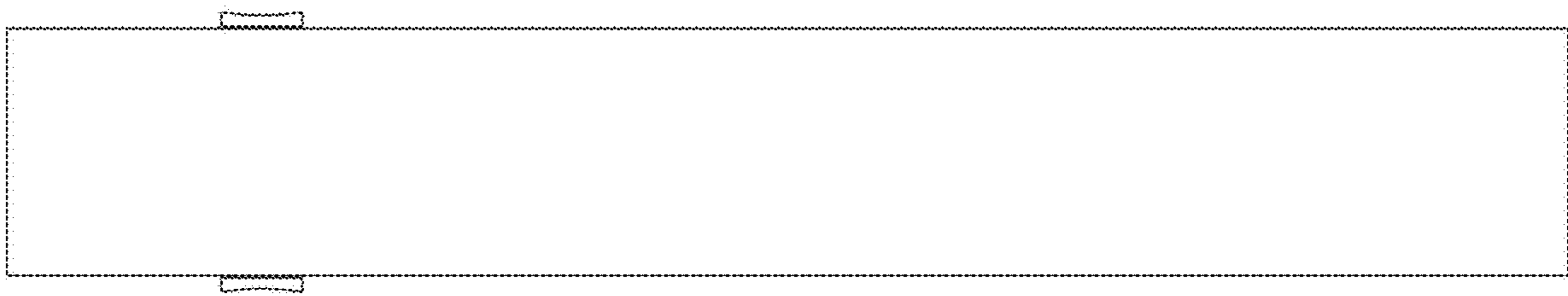


FIG. 4



FIG. 5

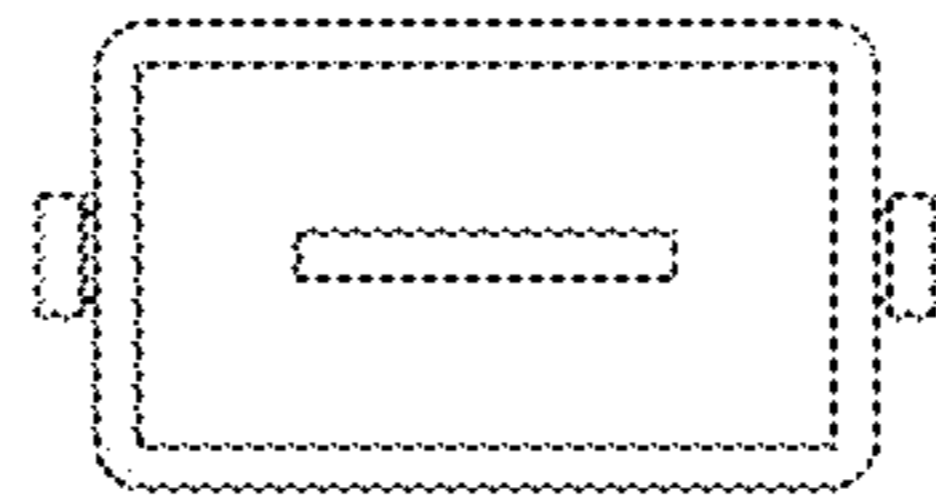


FIG. 6

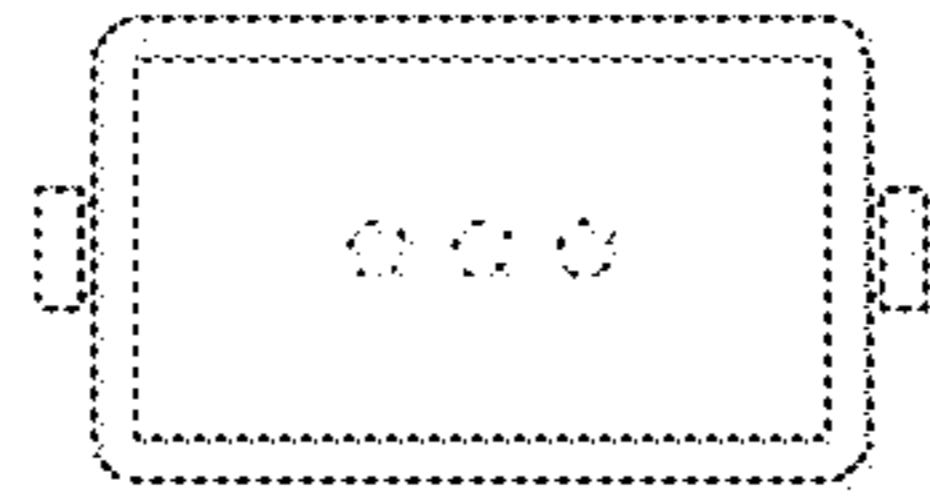


FIG. 7