



US00D889032S

(12) **United States Design Patent** (10) **Patent No.:** **US D889,032 S**
Santoro (45) **Date of Patent:** **** Jun. 30, 2020**

(54) **LUMINAIRE HUB**
(71) Applicant: **Fluxwerx Illumination Inc., Surrey (CA)**
(72) Inventor: **Scott Santoro, Delta (CA)**
(73) Assignee: **Lumenpulse Group Inc./Groupe Lumenpulse Inc., Longueuil (CA)**
(**) Term: **15 Years**
(21) Appl. No.: **29/628,542**
(22) Filed: **Dec. 5, 2017**
(51) **LOC (12) Cl.** **26-05**
(52) **U.S. Cl.**
USPC **D26/142**
(58) **Field of Classification Search**
USPC D26/25, 31, 35, 36, 28, 67, 71, 83, 118, D26/37, 41, 113, 138, 120, 121, 122; D14/230; D17/20
CPC F21S 4/00; F21S 4/003; F21S 4/006; F21S 8/00; F21S 8/024; F21S 8/026
See application file for complete search history.

D829,973 S * 10/2018 Santoro D26/142
10,323,939 B1 * 6/2019 Vinande G01C 1/08
D857,289 S * 8/2019 Behnke F21S 8/04
D26/142
2003/0210551 A1 * 11/2003 Sevack F21S 8/02
362/365

* cited by examiner

Primary Examiner — Mark A Goodwin
Assistant Examiner — Benjamin M Weeks
(74) *Attorney, Agent, or Firm* — Oyen Wiggs Green & Mutala LLP

(57) **CLAIM**

The ornamental design for a luminaire hub, as shown and described.

DESCRIPTION

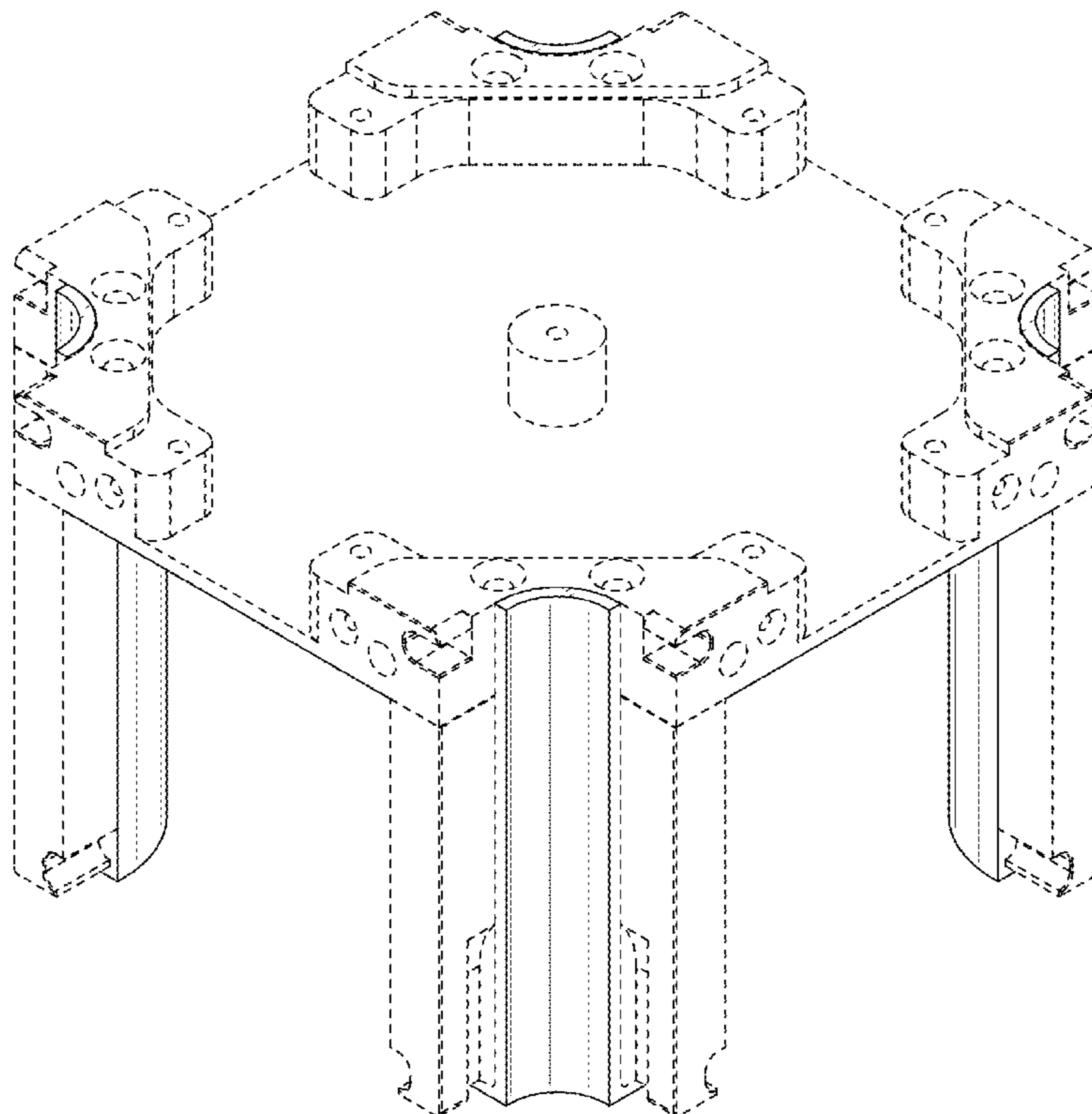
FIG. 1 is a top perspective view of a luminaire hub, showing my new design;
FIG. 2 is a bottom perspective view thereof;
FIG. 3 is a side view thereof;
FIG. 4 is a top view thereof;
FIG. 5 is a bottom view thereof; and,
FIG. 6 is a bottom perspective showing the environment in which the luminaire hub is used, the environment including four luminaire leg components attached to the luminaire hub.
The drawing features shown in broken lines, as well as the environment shown in FIG. 6 in broken lines, are shown for illustrative purposes only and do not form part of the design.

(56) **References Cited**

U.S. PATENT DOCUMENTS

D624,692 S * 9/2010 Mackin D26/142
D700,737 S * 3/2014 Campagna D26/142
D761,977 S * 7/2016 Eustace D26/24
D809,491 S * 2/2018 Tinaphong D14/230
D820,512 S * 6/2018 Santoro D26/142

1 Claim, 6 Drawing Sheets



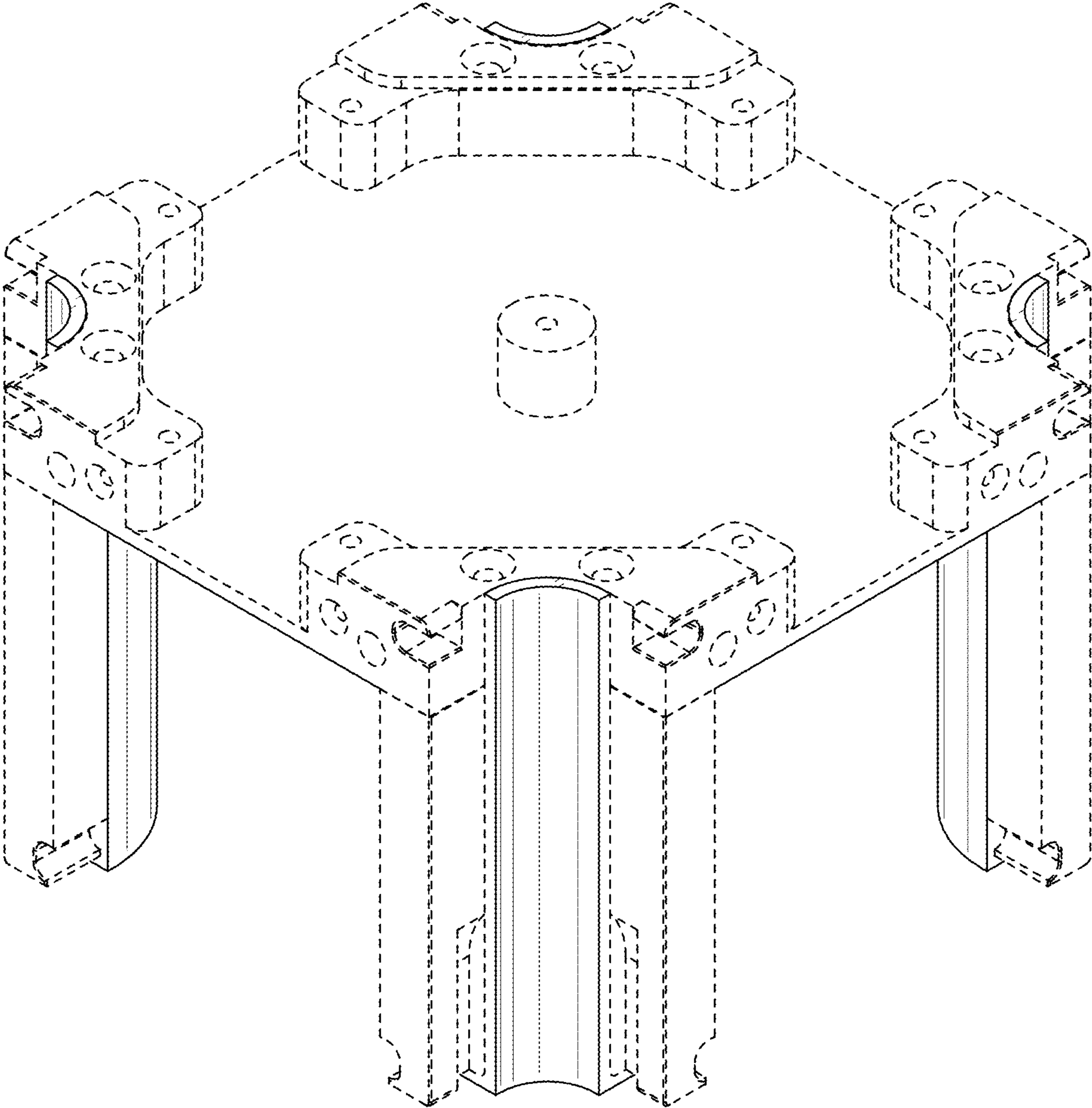


FIG. 1

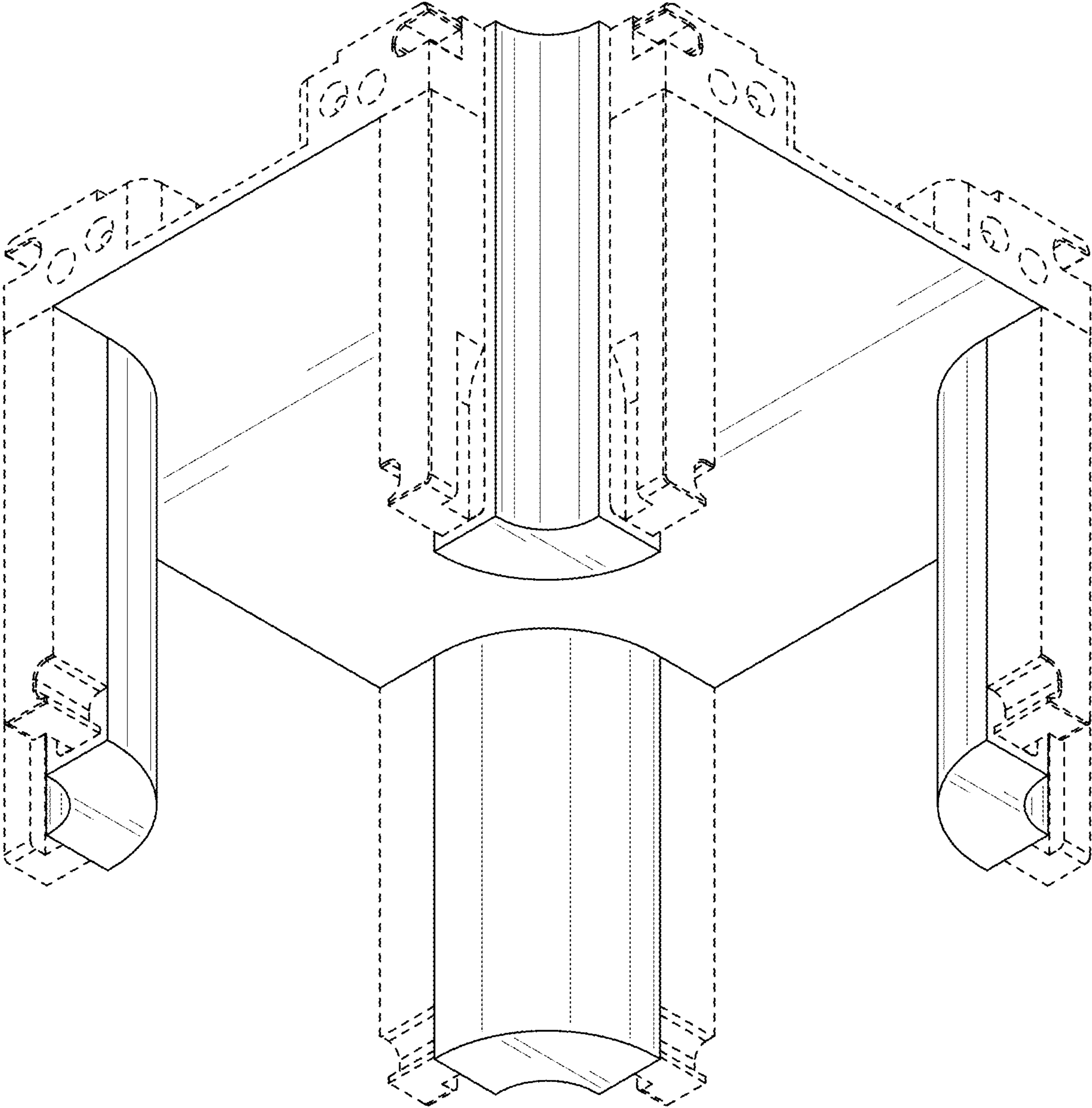


FIG. 2

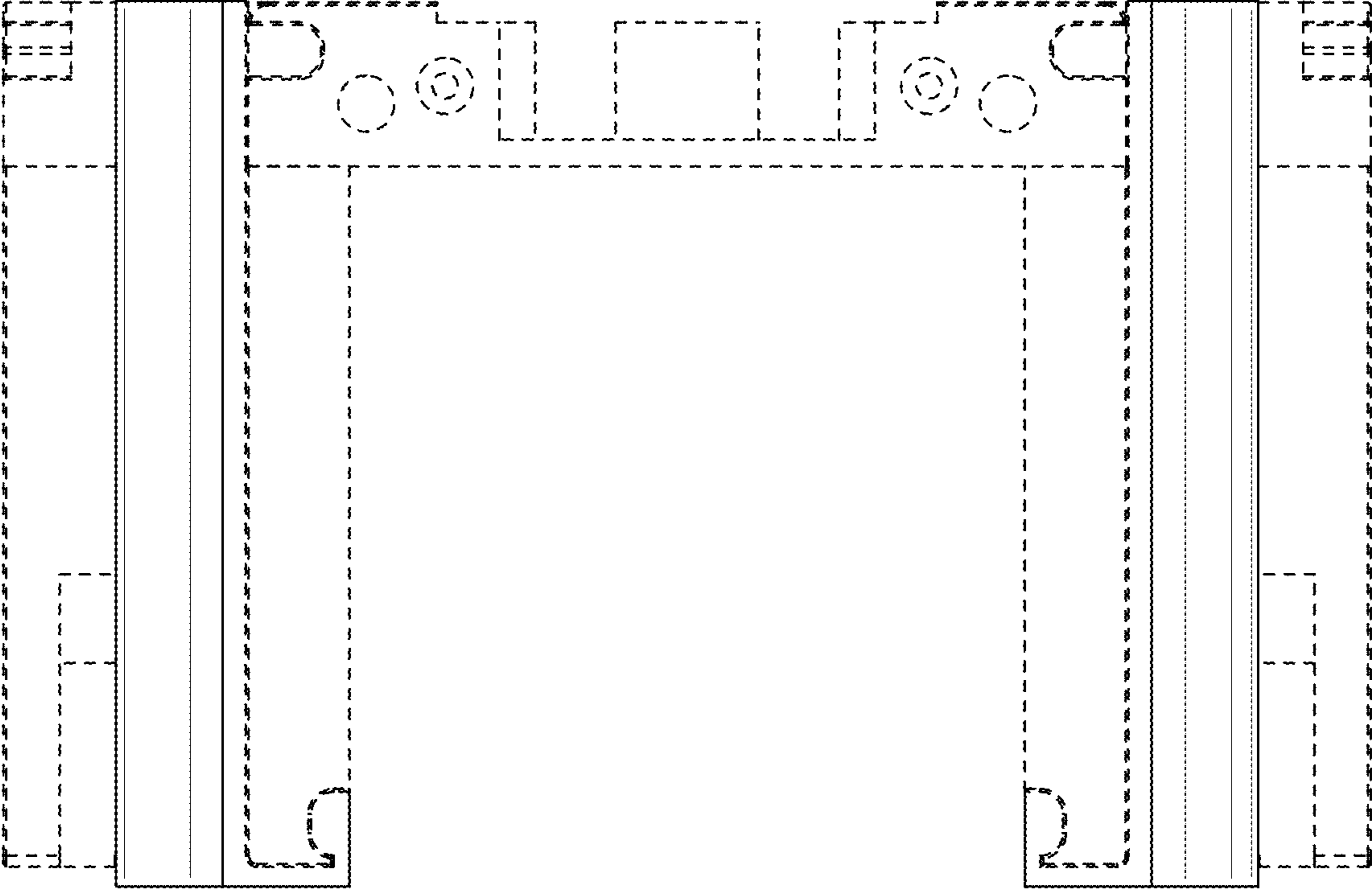


FIG. 3

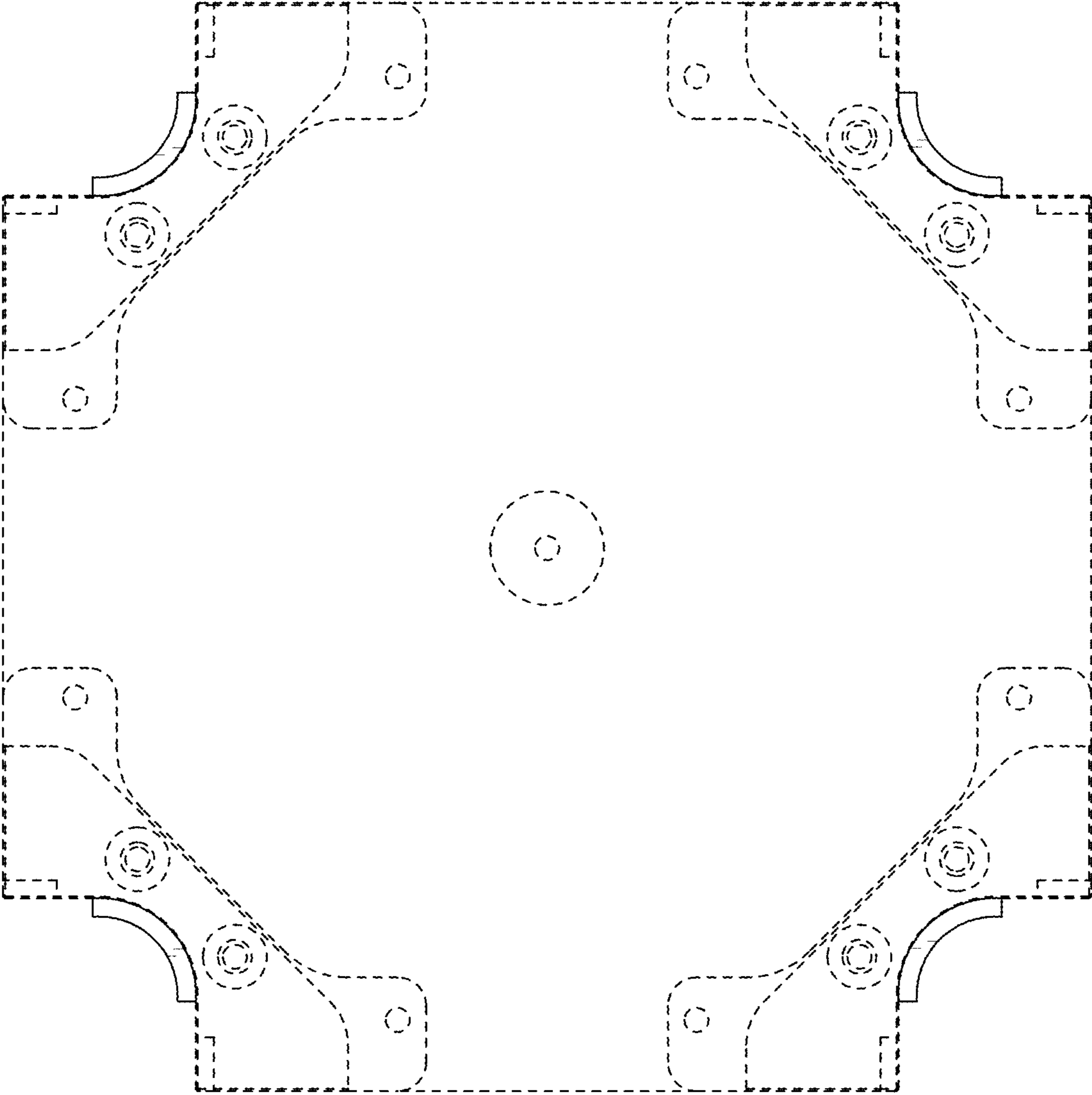


FIG. 4

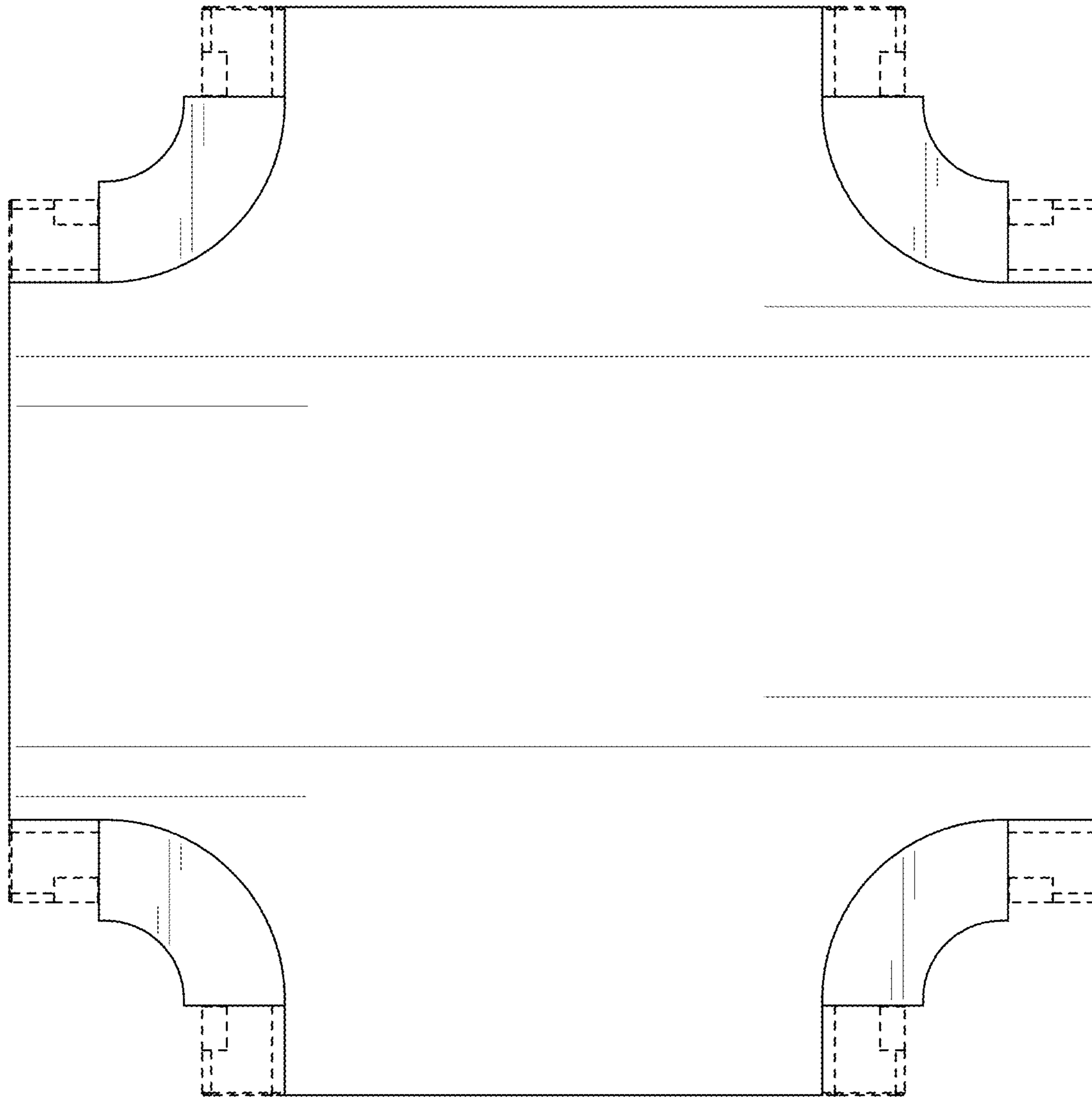


FIG. 5

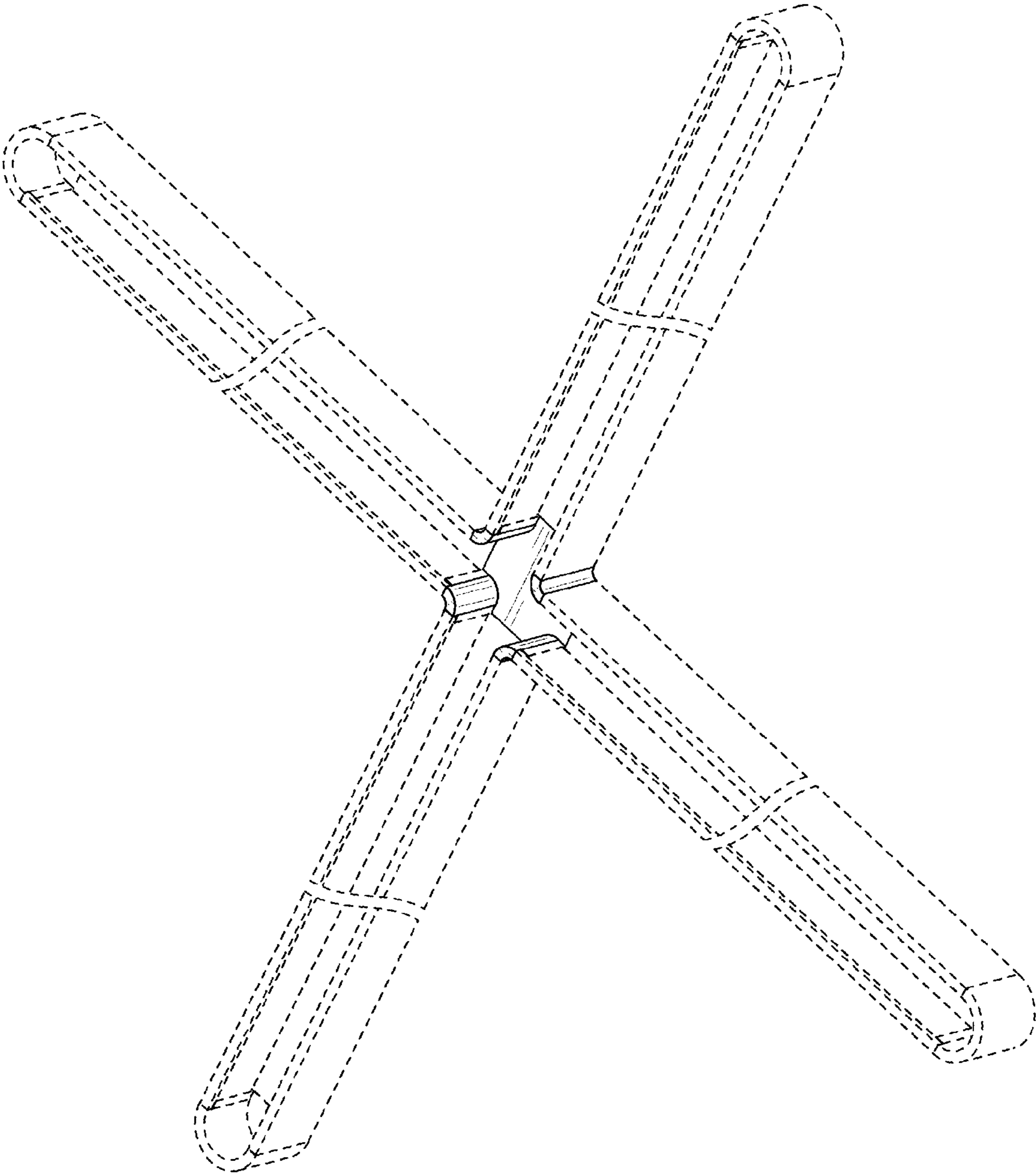


FIG. 6