



US00D889030S

(12) **United States Design Patent** (10) **Patent No.:** **US D889,030 S**  
**Behnke et al.** (45) **Date of Patent:** **\*\* \*Jun. 30, 2020**

(54) **CANOPY FOR LIGHTING FIXTURE**

OTHER PUBLICATIONS

(71) Applicant: **USAI, LLC**, New Windsor, NY (US)

USAI, LLC, BeveLED Block instruction sheet, 2 pages. (Jul. 1, 2016).

(72) Inventors: **Jaclyn Behnke**, Highland, NY (US);  
**Frank Cogliano**, Pomona, NY (US)

(Continued)

(73) Assignee: **USAI, LLC**, New Windsor, NY (US)

*Primary Examiner* — Natasha Vujcic

(\*) Notice: This patent is subject to a terminal disclaimer.

(74) *Attorney, Agent, or Firm* — St. Onge Steward  
Johnston & Reens LLC

(\*\*) Term: **15 Years**

(57) **CLAIM**

(21) Appl. No.: **29/715,419**

The ornamental design for a canopy for lighting fixture, as shown and described.

(22) Filed: **Dec. 2, 2019**

**Related U.S. Application Data**

**DESCRIPTION**

(60) Division of application No. 29/696,938, filed on Jul. 2, 2019, now Pat. No. Des. 876,002, which is a continuation of application No. 15/972,881, filed on May 7, 2018, now Pat. No. 10,443,822.

(51) **LOC (12) Cl.** ..... **26-05**

(52) **U.S. Cl.**  
USPC ..... **D26/138**

(58) **Field of Classification Search**  
USPC ..... D26/72, 74, 76, 78–83, 85, 86, 88, 90,  
D26/93, 111, 113, 118, 119, 120, 121,  
D26/122, 138, 139, 140, 141, 142, 152;  
D22/142; D21/499, 500  
CPC ..... F21S 2/00; F21S 4/00; F21S 4/003; F21S  
4/005; F21S 4/006; F21S 4/007; F21S  
4/008; F21S 6/00; F21S 8/00; F21S  
8/024; F21S 8/026; F21S 8/031; F21S  
8/033; F21S

(Continued)

(56) **References Cited**

U.S. PATENT DOCUMENTS

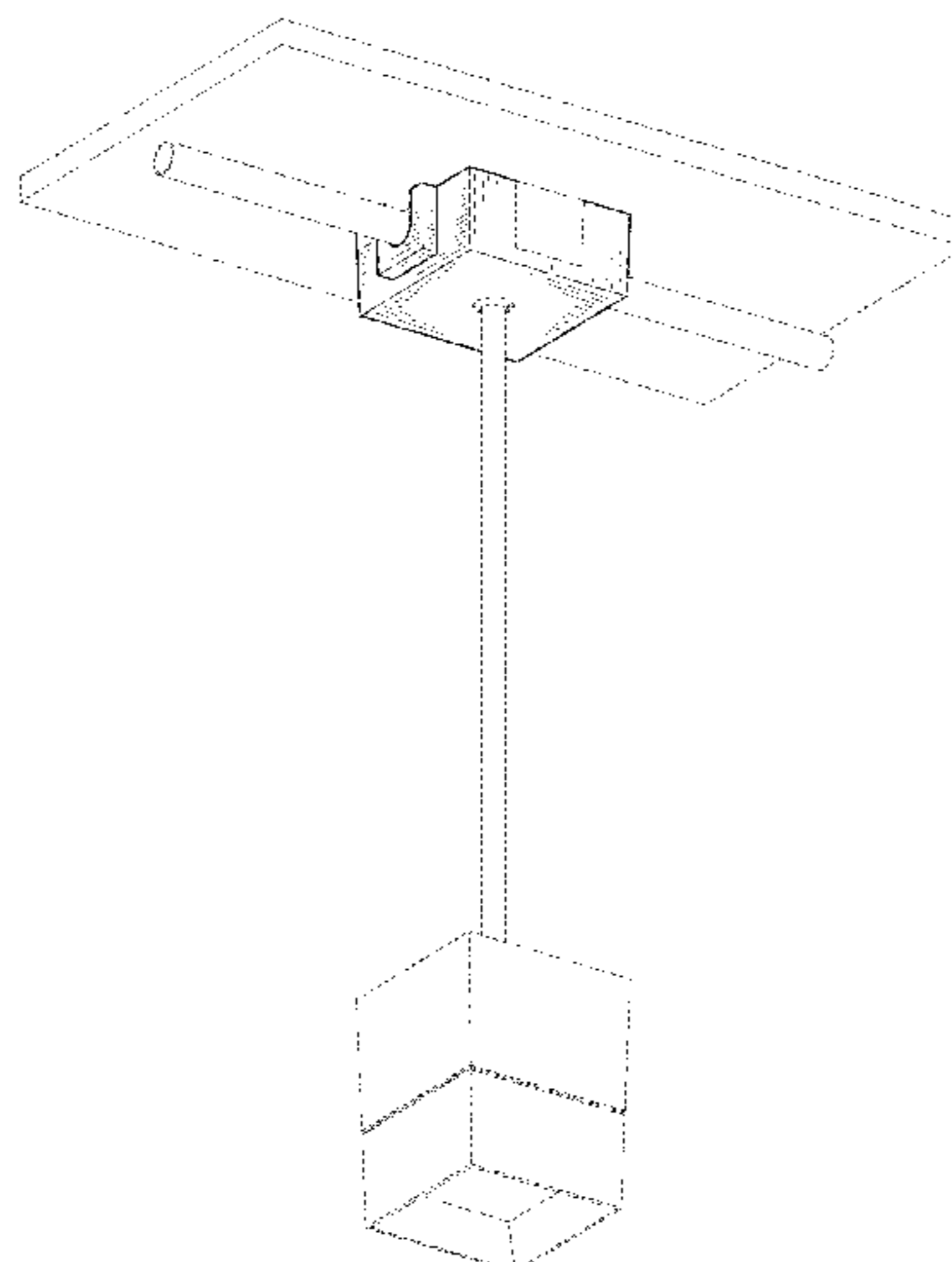
825,445 A 7/1906 Benjamin  
2,034,556 A 3/1936 Biller  
D147,093 S 7/1947 Vorsanger

(Continued)

FIG. 1 is a perspective view, from the bottom, of an embodiment of a canopy for lighting fixture in accordance with the new design;  
FIG. 2 is a front view thereof, with the rear view being a mirror image;  
FIG. 3 is a left side view thereof;  
FIG. 4 is a right side view thereof; and  
FIG. 5 is a bottom sectional view thereof, taken along line 5-5 of FIG. 2, with the top forming no part of the claimed design;  
FIG. 6 is a perspective view, from the bottom, of an embodiment of a canopy for lighting fixture in accordance with the new design;  
FIG. 7 is a front view thereof, wherein the rear view is a mirror image thereof;  
FIG. 8 is a left side view thereof, wherein the right side view is a mirror image thereof; and  
FIG. 9 is a bottom sectional view thereof, taken along line 9-9 of FIG. 7, with the top forming no part of the claimed design.

The broken lines shown in the drawings are for the purpose of illustrating portions of the canopy for lighting fixture that form no part of the claimed design.

**1 Claim, 9 Drawing Sheets**



(58) **Field of Classification Search**  
 CPC ..... 8/035-037; F21S 8/04; F21S 8/043; F21S  
 8/063  
 See application file for complete search history.

(56) **References Cited**

U.S. PATENT DOCUMENTS

4,303,968 A 12/1981 Goralnik  
 D298,173 S 10/1988 Oosterheerd  
 D339,651 S 9/1993 Vieyra  
 D345,790 S 4/1994 Caldwell  
 D377,843 S 2/1997 Schering  
 D382,663 S 8/1997 Barry  
 D399,328 S 10/1998 Compton  
 D400,287 S 10/1998 Littman et al.  
 D414,530 S 9/1999 Rudy  
 D422,745 S 4/2000 Losole, III  
 D423,607 S 4/2000 Rudy  
 D435,215 S 12/2000 Guzman  
 D443,942 S 6/2001 Dye et al.  
 D445,527 S 7/2001 Nicholas  
 D465,061 S 10/2002 Guthrie  
 D477,104 S \* 7/2003 Wang ..... D26/72  
 D480,437 S 10/2003 Stoneberg  
 D480,828 S 10/2003 Block  
 D532,148 S 11/2006 Matsui et al.  
 D547,484 S 7/2007 Guercio  
 D557,438 S 12/2007 Hsu  
 D565,230 S 3/2008 Hetfield et al.  
 D581,586 S 11/2008 Conroy  
 D603,552 S 11/2009 Kampe  
 D604,445 S 11/2009 Ko et al.  
 D604,896 S 11/2009 Chen et al.  
 D623,344 S 9/2010 Tsai  
 D629,561 S 12/2010 Kim et al.  
 D637,339 S 5/2011 Hasan et al.  
 D637,340 S 5/2011 Hasan et al.  
 D653,799 S 2/2012 Baker et al.  
 D707,383 S 6/2014 Carraher  
 D707,386 S 6/2014 McKenzie et al.  
 D709,643 S 7/2014 Kohler et al.  
 D710,536 S 8/2014 Mollaghaffari  
 D722,402 S 2/2015 Orozco  
 D728,842 S 5/2015 Arola Ferrer  
 D735,933 S 8/2015 Campagna  
 D740,992 S 10/2015 Orozco  
 D747,029 S 1/2016 Reynolds  
 D753,328 S 4/2016 Mathews et al.  
 D766,497 S \* 9/2016 Salomon ..... D26/138  
 9,435,353 B1 9/2016 Gretz  
 D770,084 S 10/2016 Salomon  
 9,466,962 B1 10/2016 Gretz  
 D778,487 S \* 2/2017 Salomon ..... D26/138  
 D779,713 S \* 2/2017 Sonneman ..... D26/138

D779,714 S \* 2/2017 Sonneman ..... D26/138  
 D785,227 S 4/2017 Guzzini  
 D785,852 S 5/2017 Rashidi Doust  
 D790,762 S 6/2017 Sonneman  
 D791,384 S 7/2017 Park  
 D791,400 S 7/2017 Sonneman  
 D794,243 S \* 8/2017 Bryant ..... D26/138  
 D795,360 S 8/2017 Ahn  
 D799,099 S 10/2017 Gismondi  
 D799,103 S \* 10/2017 Gloor ..... D26/120  
 D806,304 S 12/2017 Amato et al.  
 D813,436 S 3/2018 Verelst  
 D813,438 S 3/2018 Vyvey  
 D818,185 S 5/2018 Wilson  
 D818,192 S 5/2018 Price  
 D818,625 S 5/2018 Hohaus et al.  
 D819,441 S 6/2018 Doster  
 D821,627 S 6/2018 Ko  
 D823,522 S 7/2018 Gambrel et al.  
 D829,953 S 10/2018 Botti  
 D829,959 S 10/2018 Amato et al.  
 D834,235 S 11/2018 Gambrel et al.  
 D834,519 S \* 11/2018 Faul ..... D13/137.2  
 D841,220 S 2/2019 Chen et al.  
 D843,642 S 3/2019 Mathews et al.  
 D848,047 S 5/2019 Santoro et al.  
 D850,709 S \* 6/2019 Tian ..... D26/138  
 D855,244 S 7/2019 Sonneman  
 D856,570 S 8/2019 Sonneman  
 D857,289 S \* 8/2019 Behnke ..... H02G 3/20  
 D870,364 S \* 12/2019 Sonneman ..... D26/138  
 D870,365 S \* 12/2019 Sonneman ..... D26/138  
 D872,352 S \* 1/2020 King ..... D26/138  
 2015/0338071 A1 11/2015 Feit et al.  
 2016/0319988 A1 11/2016 Mathews et al.  
 2017/0009962 A1 1/2017 Feit et al.  
 2017/0268736 A1 9/2017 Harpenau et al.  
 2017/0363263 A1 12/2017 Ticktin et al.  
 2018/0087750 A1 3/2018 Boulanger et al.  
 2018/0119934 A1 5/2018 Schneider  
 2018/0128446 A1 5/2018 Dietz  
 2018/0328573 A1 11/2018 Behnke et al.

OTHER PUBLICATIONS

Chinese Gold Supplier IP65 Surface Mounted Square Downlight LED spot light dimmable. USPTO found at alibaba.com visited Mar. 18, 2019. (Year: 2019).  
 COB Square mounted LED downlight No. 425557733. USPTO found at dhgate.com visited Mar. 18, 2019. (Year: 2019).  
 Surface Mount Square 1-Light LED Flush Mount fixture by Bruck Lighting. SKU: BBB3018. USPTO found at wayfair.com as early as Feb. 21, 2019. (Year: 2019).

\* cited by examiner

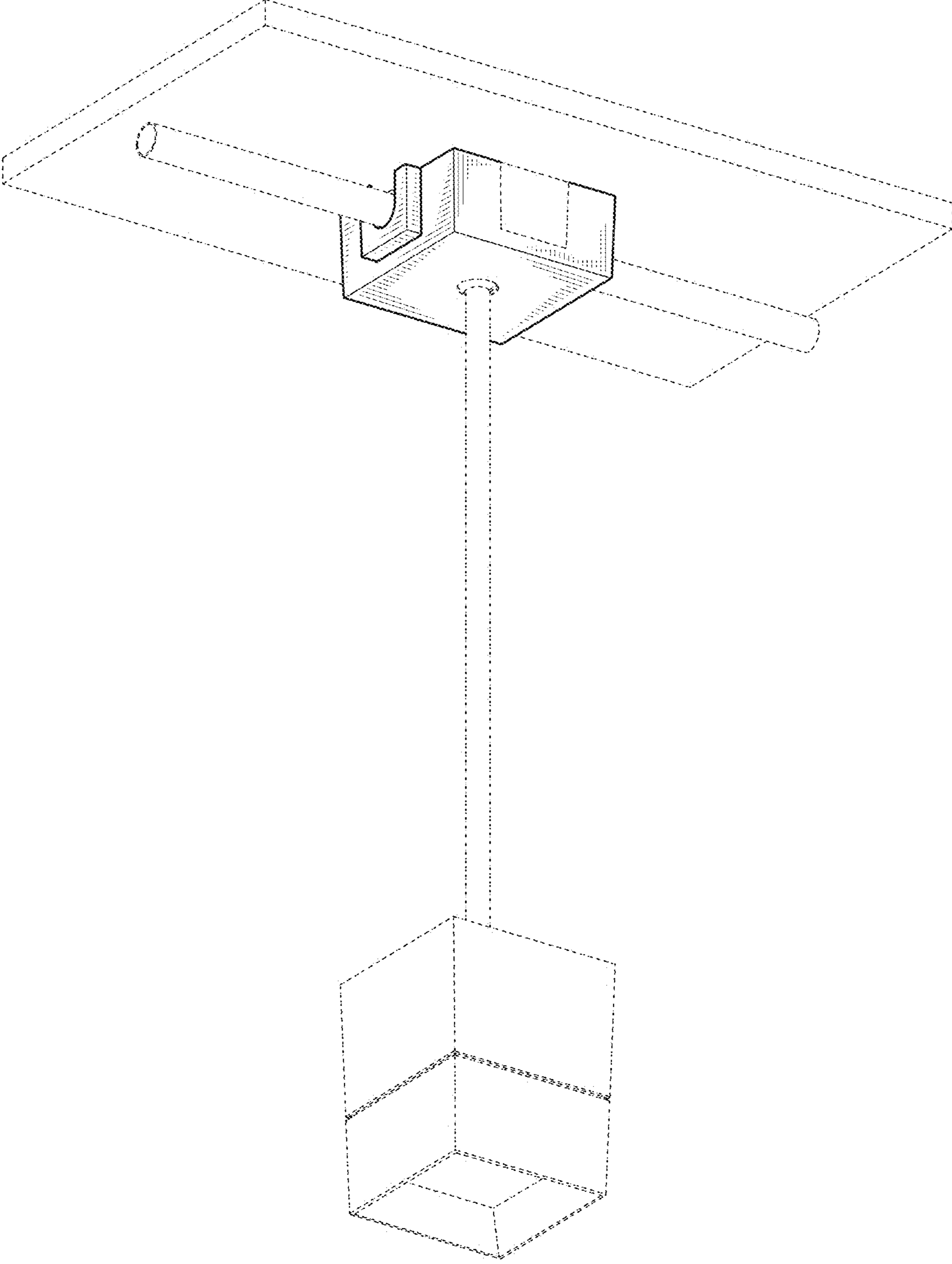


FIG. 1

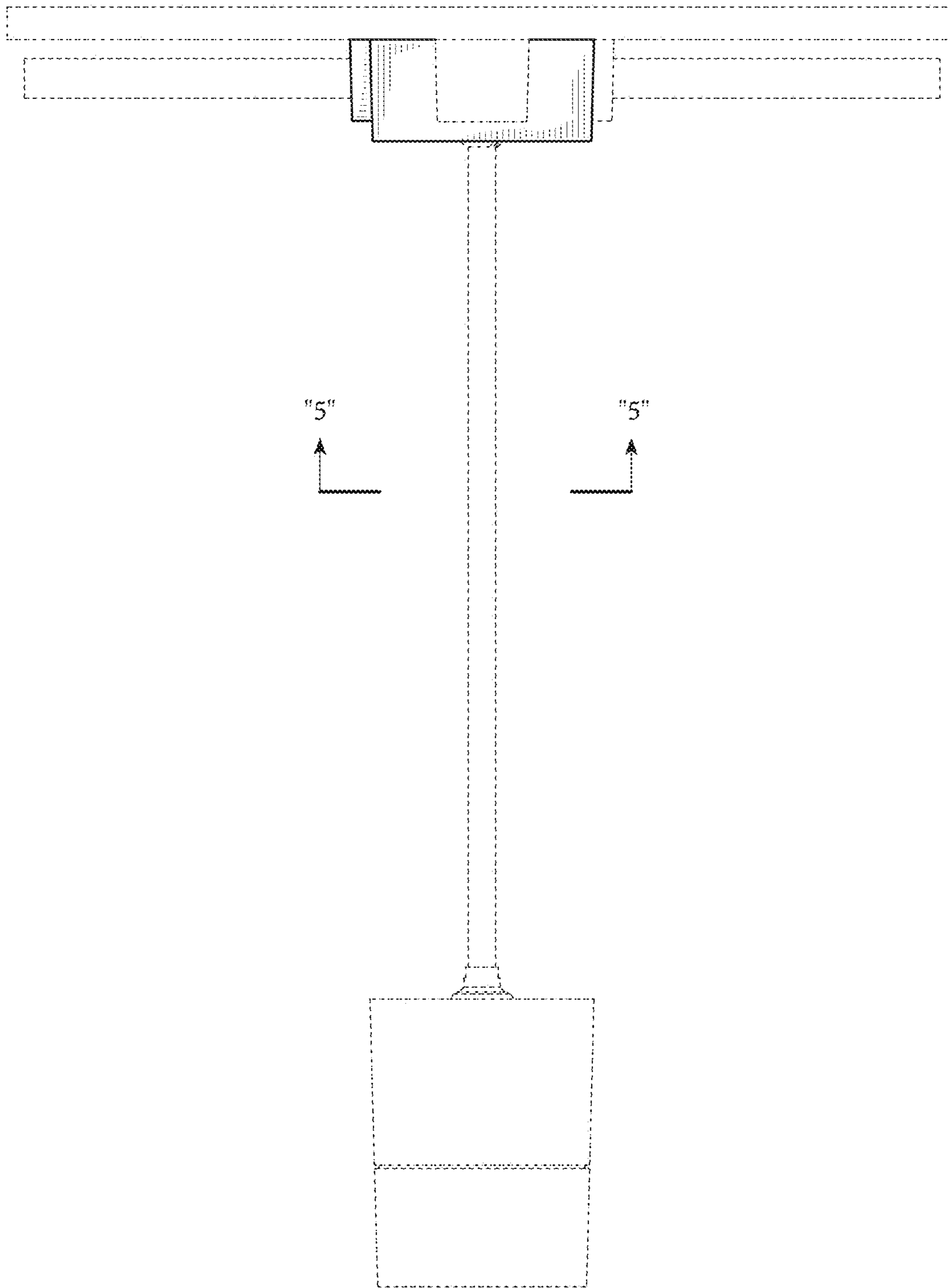


FIG. 2

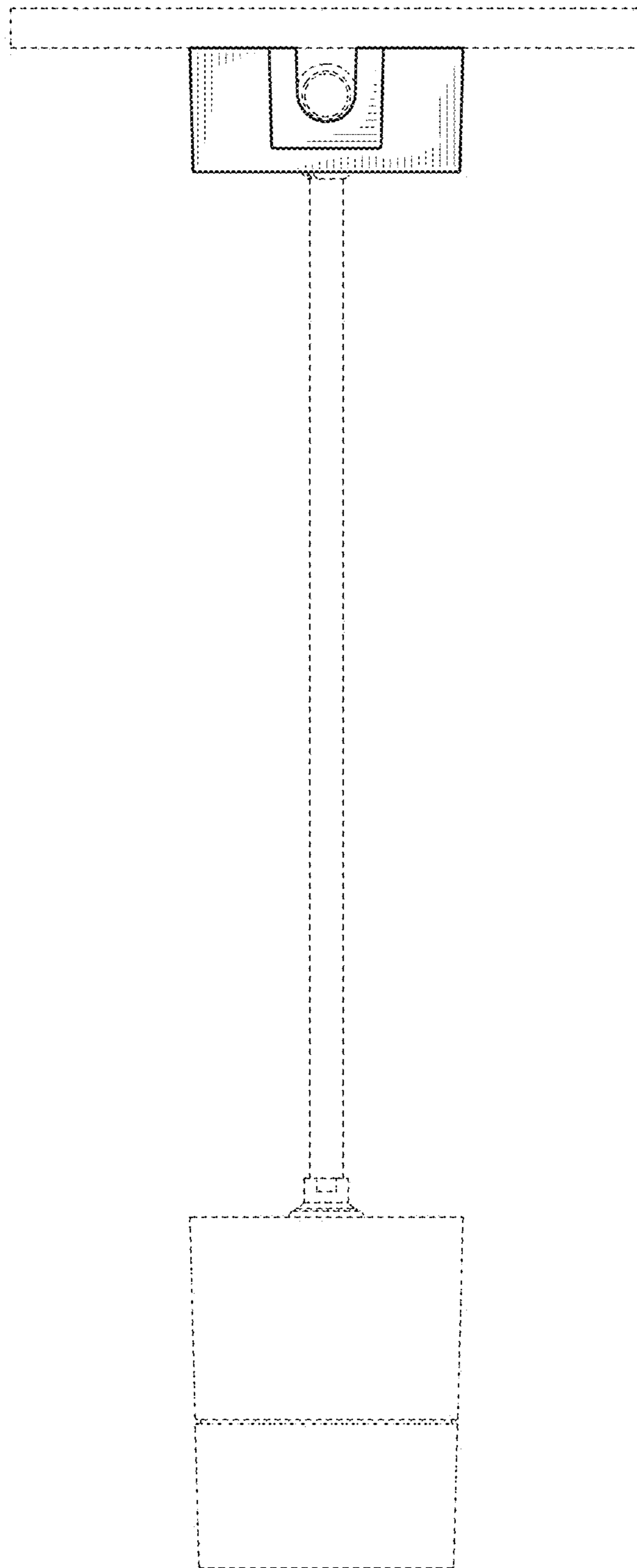


FIG. 3

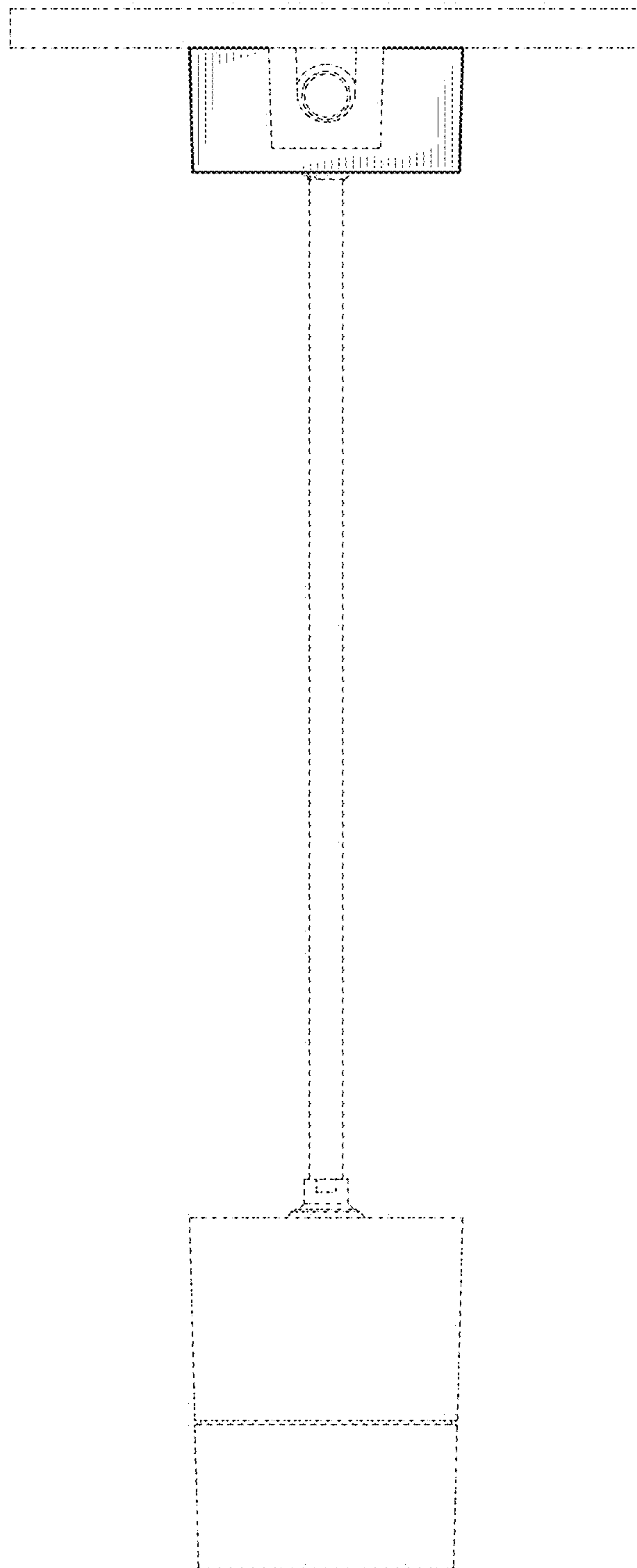


FIG. 4

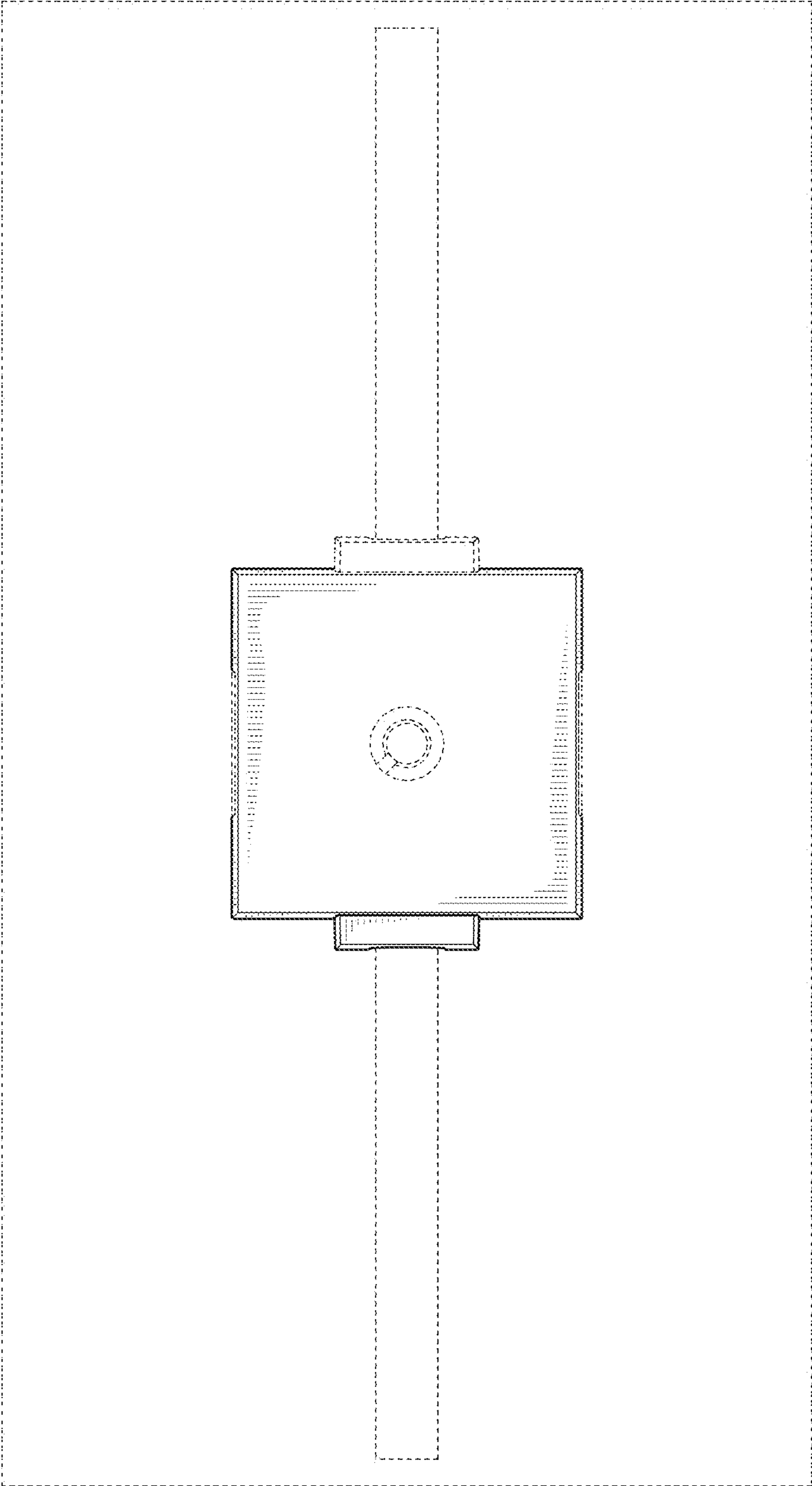


FIG. 5

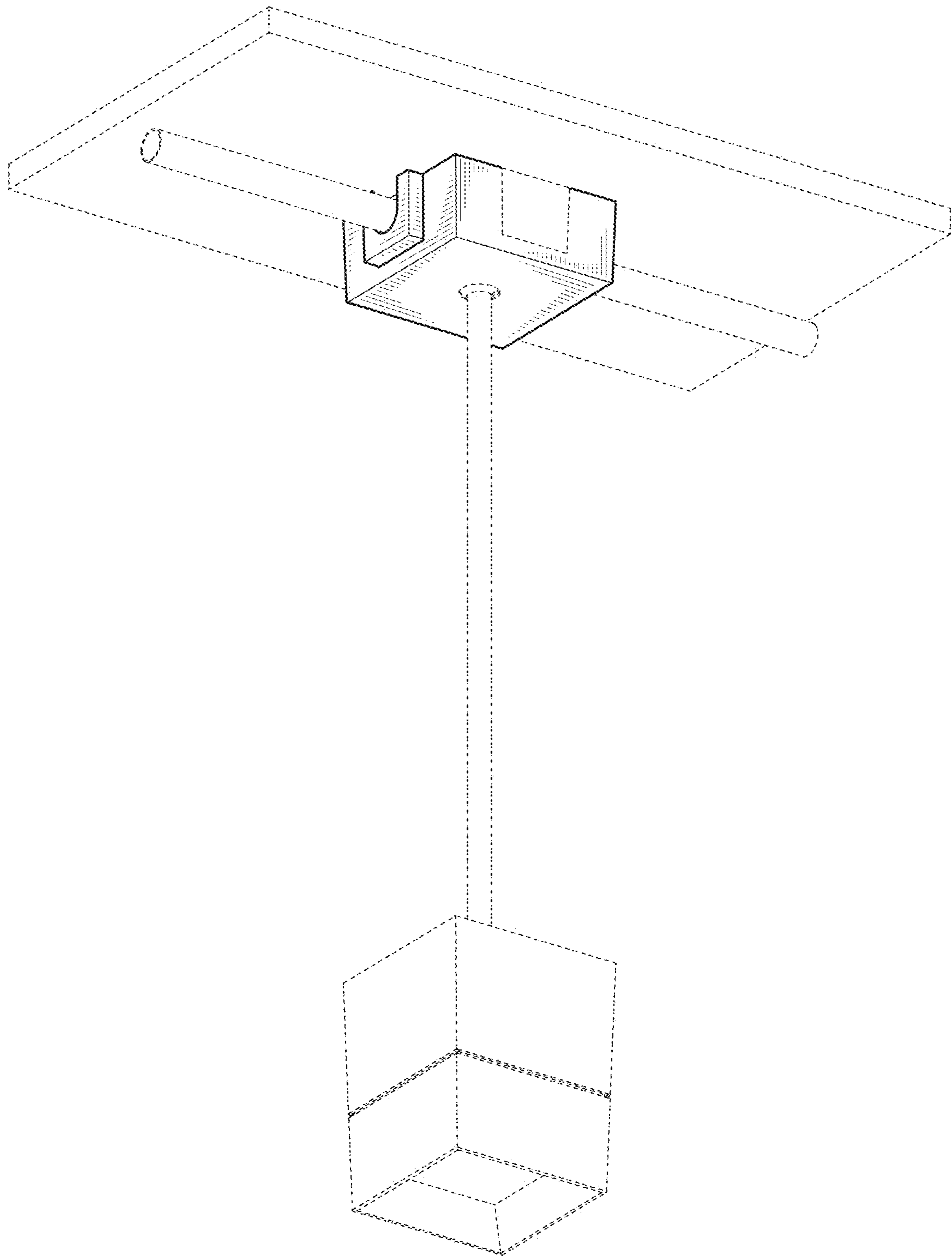


FIG. 6



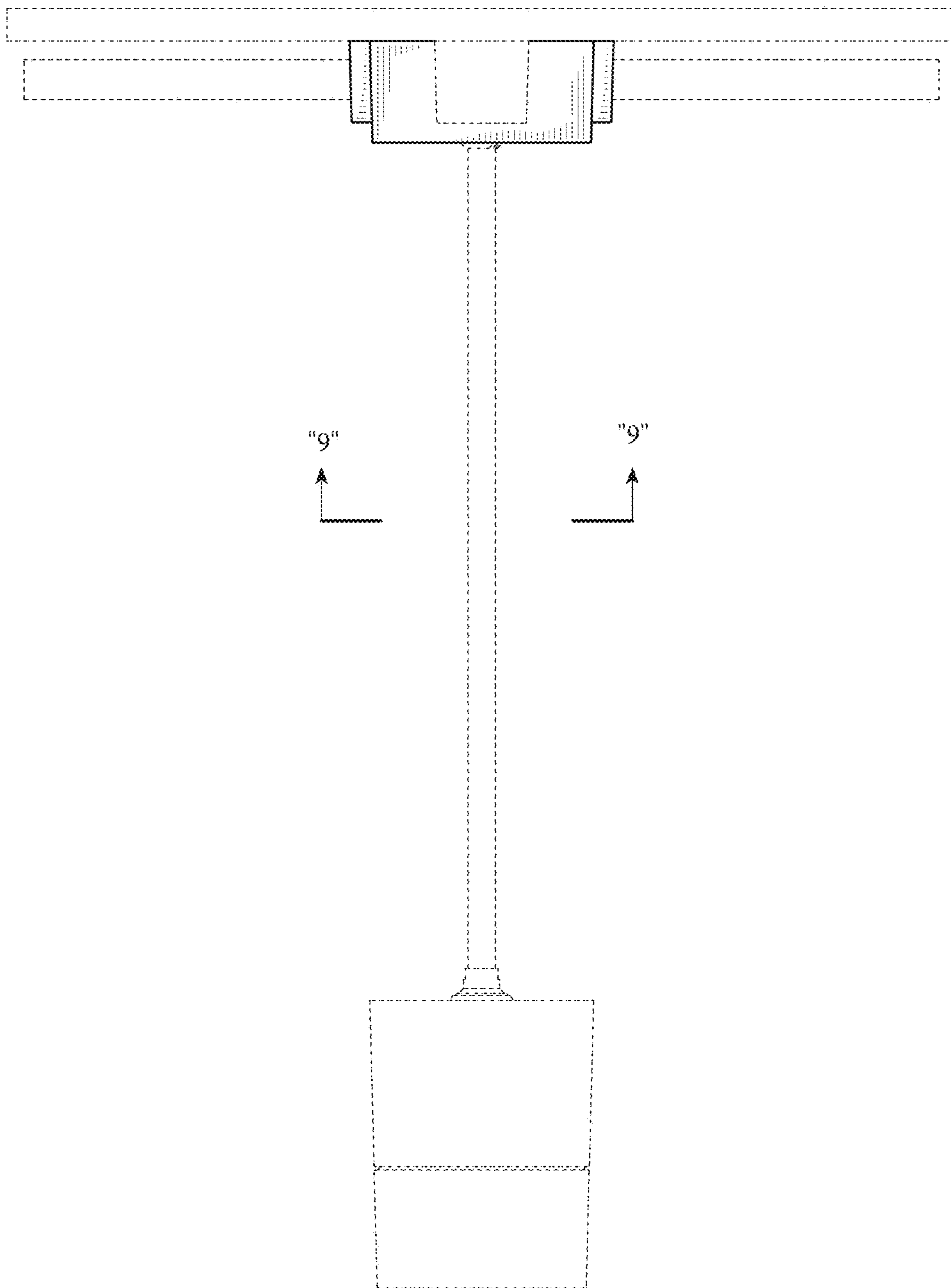


FIG. 7

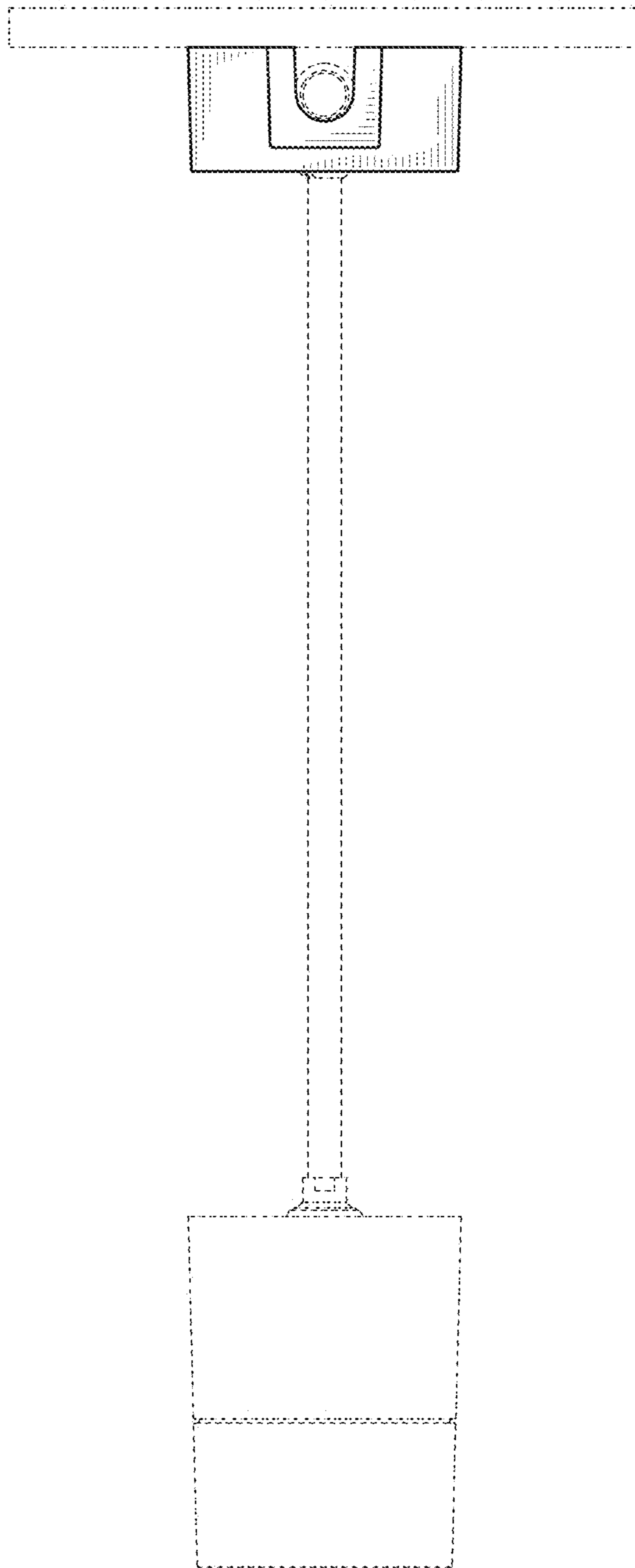


FIG. 8

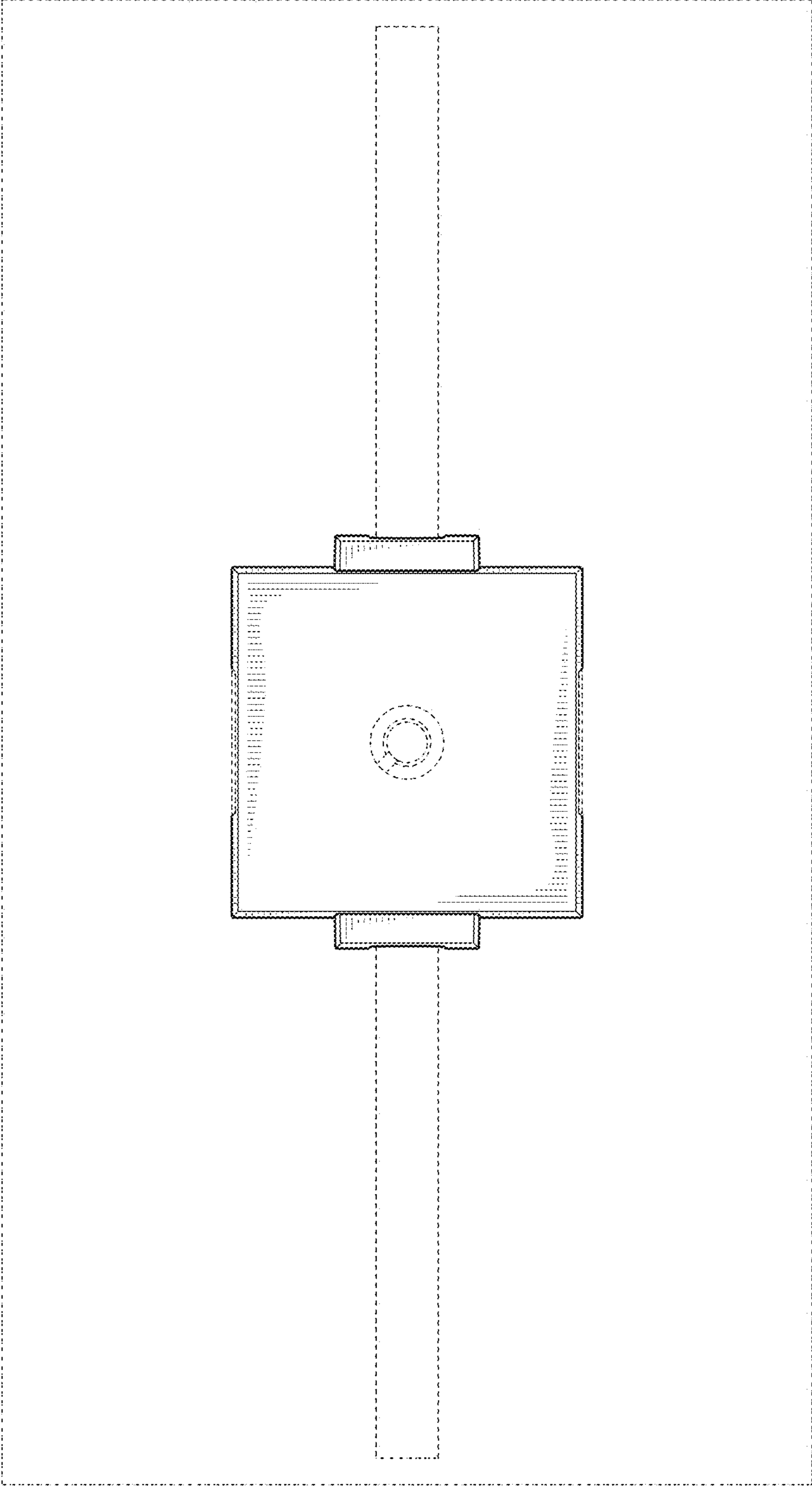


FIG. 9