



US00D889028S

(12) **United States Design Patent**
Santoro et al.

(10) **Patent No.:** **US D889,028 S**
(45) **Date of Patent:** **** Jun. 30, 2020**

- (54) **LUMINAIRE**
- (71) Applicant: **Fluxwerx Illumination Inc.**, Surrey (CA)
- (72) Inventors: **Scott Santoro**, Delta (CA); **Daniel Fortin**, New Westminster (CA)
- (73) Assignee: **Lumenpulse Group Inc./Groupe Lumenpulse Inc.**, Longueuil (CA)
- (**) Term: **15 Years**
- (21) Appl. No.: **29/658,515**
- (22) Filed: **Jul. 31, 2018**
- (51) **LOC (12) Cl.** **26-99**
- (52) **U.S. Cl.**
USPC **D26/120**
- (58) **Field of Classification Search**
USPC D26/120, 118, 47, 73, 94, 113, 122, 125, D26/128, 147, 72, 28; D10/114.4, 114.31
CPC . B60R 1/12; F21V 11/00; F21V 21/02; F21V 5/04; F21V 5/08
See application file for complete search history.

- (56) **References Cited**
U.S. PATENT DOCUMENTS
D502,284 S * 2/2005 Egawa D26/122
D539,944 S * 4/2007 Egawa D26/24

- 7,524,080 B2 * 4/2009 Tu F21S 6/003 362/183
- D602,628 S * 10/2009 Benensohn D26/80
- D640,822 S * 6/2011 Wildner D26/89
- D760,404 S * 6/2016 Radl D26/1
- D773,109 S * 11/2016 Hu D26/118
- D789,594 S * 6/2017 Goltche D26/120
- D792,639 S * 7/2017 Deyaf D26/120
- D807,569 S * 1/2018 Marcoux D26/120
- D849,278 S * 5/2019 John D26/1
- D854,195 S * 7/2019 Lee D26/1
- D872,319 S * 1/2020 Antony D26/1

* cited by examiner

Primary Examiner — Brian N. Vinson

(74) *Attorney, Agent, or Firm* — Oyen Wiggs Green & Mutala LLP

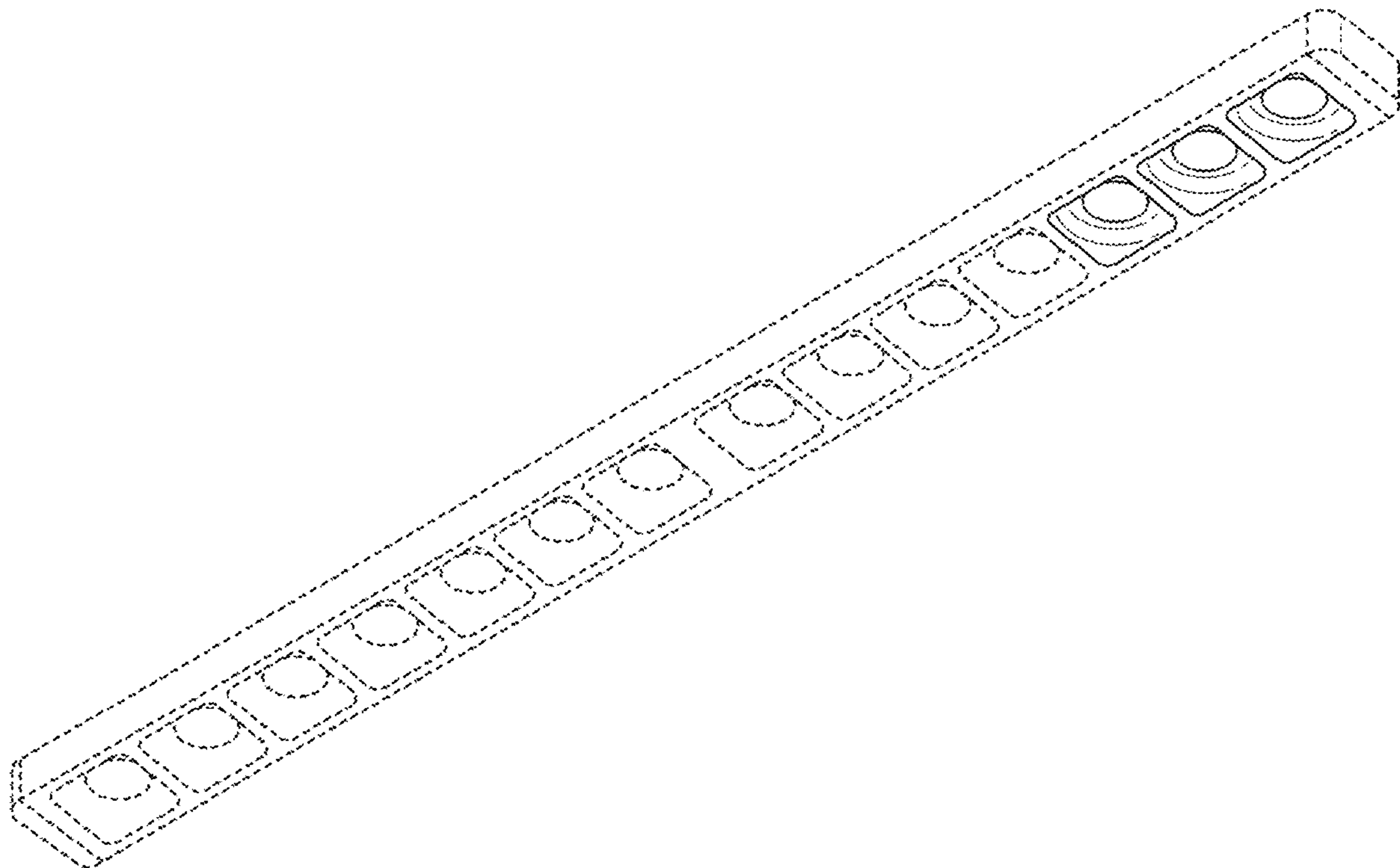
(57) **CLAIM**

The ornamental design for a luminaire, as shown and described.

DESCRIPTION

FIG. 1 is a perspective view of a first embodiment of a luminaire, showing our new design.
FIG. 2 is a bottom view thereof;
FIG. 3 is a top view thereof;
FIG. 4 is a side view thereof; and,
FIG. 5 is an end view thereof.
The drawing features shown in broken lines are shown for illustrative purposes only and do not form part of the design.

1 Claim, 3 Drawing Sheets



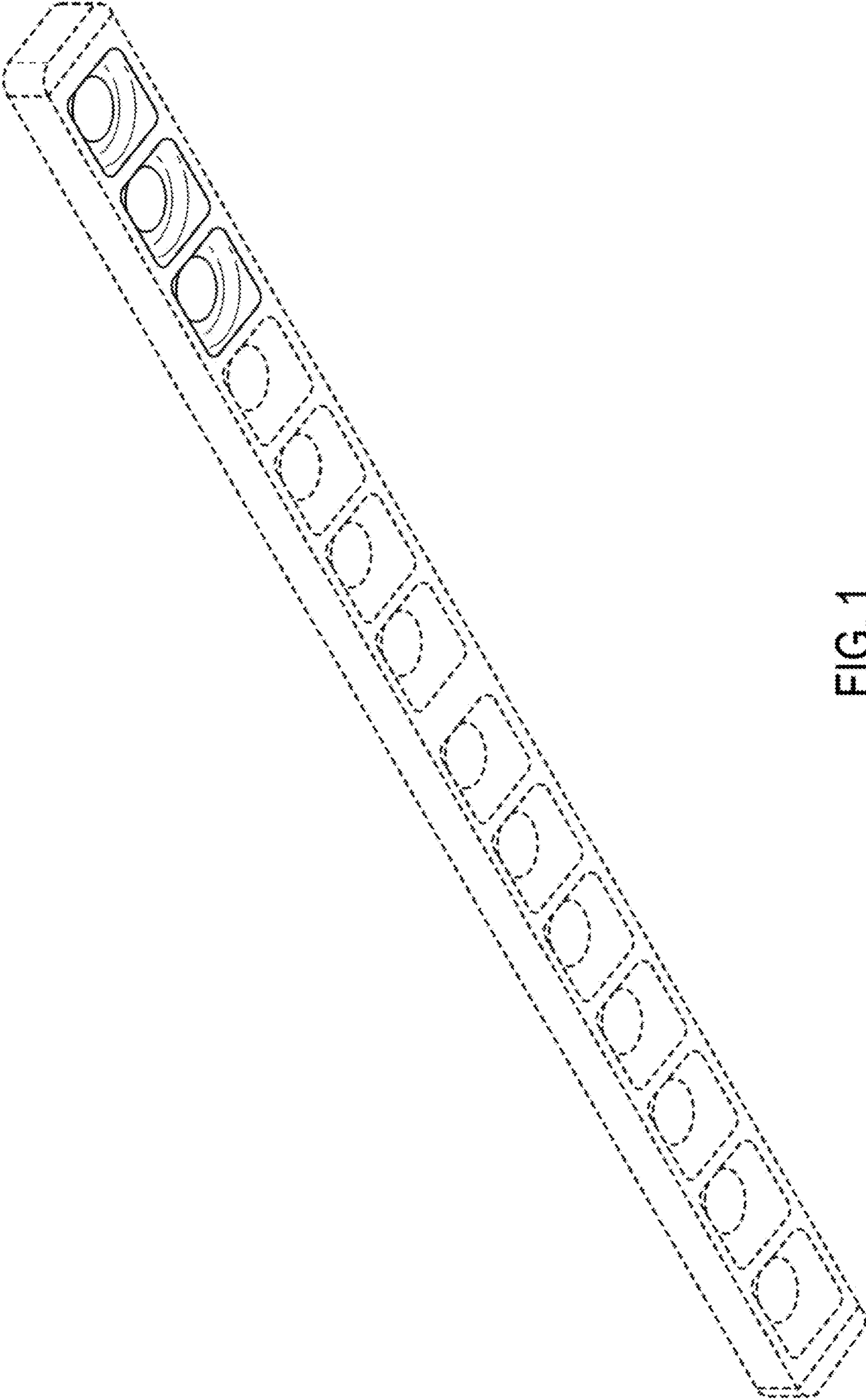


FIG. 1

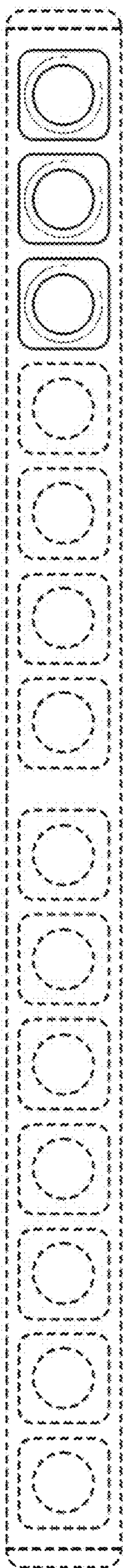


FIG. 2

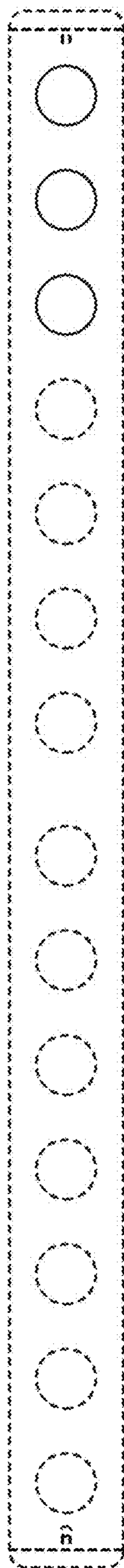


FIG. 3

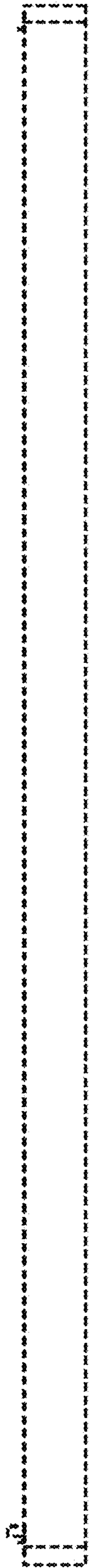


FIG. 4



FIG. 5