



US00D889027S

(12) **United States Design Patent**  
**Santoro et al.**

(10) **Patent No.:** **US D889,027 S**  
(45) **Date of Patent:** **\*\* Jun. 30, 2020**

- (54) **LUMINAIRE**
- (71) Applicant: **Fluxwerx Illumination Inc.**, Surrey (CA)
- (72) Inventors: **Scott Santoro**, Delta (CA); **Daniel Fortin**, New Westminster (CA)
- (73) Assignee: **Lumenpulse Group Inc/Groupe Lumenpulse Inc.**, Longueuil (CA)
- (\*\*) Term: **15 Years**
- (21) Appl. No.: **29/658,514**
- (22) Filed: **Jul. 31, 2018**
- (51) **LOC (12) Cl.** ..... **26-99**
- (52) **U.S. Cl.**  
USPC ..... **D26/120**
- (58) **Field of Classification Search**  
USPC .... D26/120, 118, 47, 73, 94, 113, 122, 125, D26/128, 147, 72, 28; D10/114.4, 114.31  
CPC . B60R 1/12; F21V 11/00; F21V 21/02; F21V 5/04; F21V 5/08  
See application file for complete search history.

7,524,080 B2 *	4/2009	Tu	.....	F21S 6/003
				362/183
D602,628 S *	10/2009	Benensohn	.....	D26/80
D640,822 S *	6/2011	Wildner	.....	D26/89
D760,404 S *	6/2016	Radl	.....	D26/1
D773,109 S *	11/2016	Hu	.....	D26/118
D789,594 S *	6/2017	Goltche	.....	D26/120
D792,639 S *	7/2017	Deyaf	.....	D26/120
D807,569 S *	1/2018	Marcoux	.....	D26/120
D849,278 S *	5/2019	John	.....	D26/1
D854,195 S *	7/2019	Lee	.....	D26/1
D872,319 S *	1/2020	Antony	.....	D26/1

\* cited by examiner

*Primary Examiner* — Brian N. Vinson

(74) *Attorney, Agent, or Firm* — Oyen Wiggs Green & Mutala LLP

(57) **CLAIM**

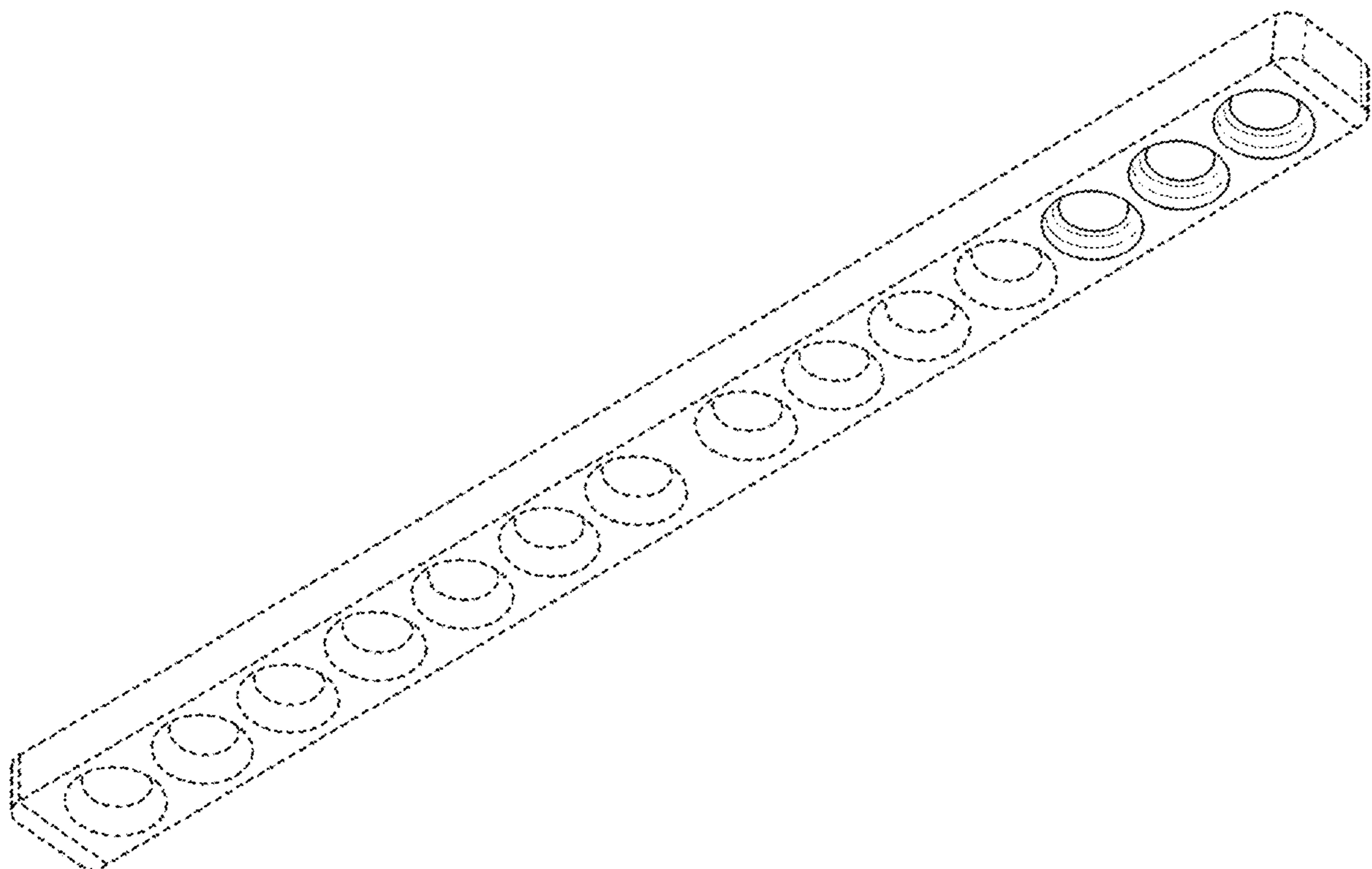
The ornamental design for a luminaire, as shown and described.

**DESCRIPTION**

FIG. 1 is a perspective view of a first embodiment of a luminaire, showing our new design.  
 FIG. 2 is a bottom view thereof;  
 FIG. 3 is a top view thereof;  
 FIG. 4 is a side view thereof; and,  
 FIG. 5 is an end view thereof.  
 The drawing features shown in broken lines are shown for illustrative purposes only and do not form part of the design.

**1 Claim, 3 Drawing Sheets**

- (56) **References Cited**  
U.S. PATENT DOCUMENTS  
D502,284 S \* 2/2005 Egawa ..... D26/122  
D539,944 S \* 4/2007 Egawa ..... D26/24



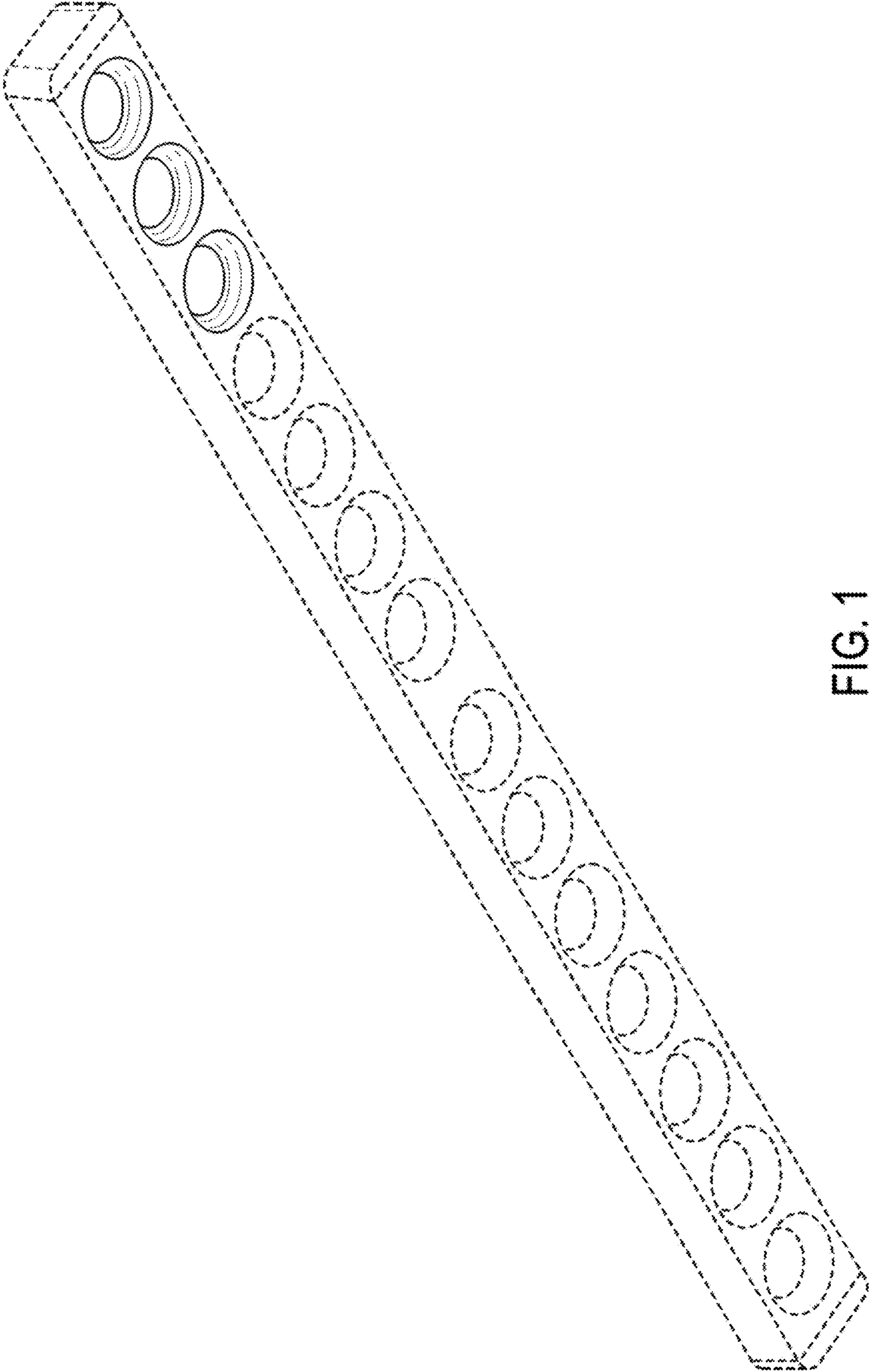


FIG. 1

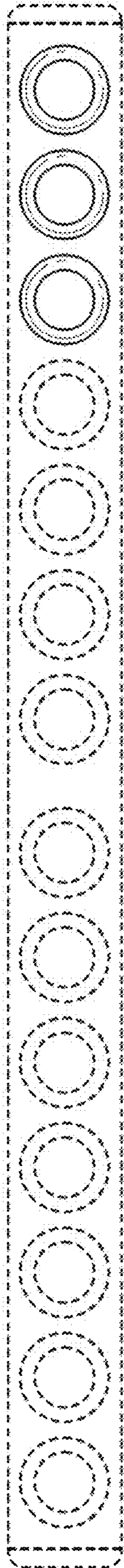


FIG. 2

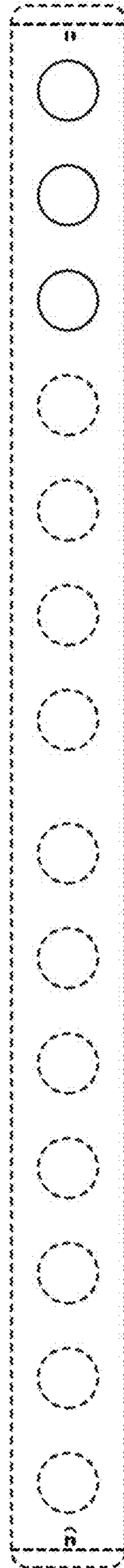


FIG. 3



FIG. 4



FIG. 5