



US00D889023S

(12) **United States Design Patent**
Sun

(10) **Patent No.:** **US D889,023 S**
(45) **Date of Patent:** **** Jun. 30, 2020**

(54) **TABLE LAMP**

(71) Applicant: **Zhongshan Comely Lighting & Electrical Appliances Co., Ltd.,**
ZhongShan (CN)

(72) Inventor: **Yue Sun, Zhongshan (CN)**

(**) Term: **15 Years**

(21) Appl. No.: **29/714,748**

(22) Filed: **Nov. 26, 2019**

(30) **Foreign Application Priority Data**

Aug. 5, 2019 (CN) 2019 3 0422085

(51) **LOC (12) Cl.** **26-03**

(52) **U.S. Cl.**
USPC **D26/107**

(58) **Field of Classification Search**
USPC D26/1, 24, 61, 63, 65, 85, 93, 106, 107
CPC F21V 21/14; F21V 15/01; F21V 14/02;
F21V 21/30; F21V 21/00; F21V 14/00;
F21S 8/00; F21S 8/003; F21S 8/043;
F21Y 2105/001; G02B 27/025
See application file for complete search history.

(56) **References Cited**

U.S. PATENT DOCUMENTS

D548,876 S * 8/2007 Newhouse D26/107
D567,431 S * 4/2008 Garner D26/107

D674,531 S * 1/2013 Yuen D26/93
D689,642 S * 9/2013 Huang
D734,529 S * 7/2015 Krenkler
D766,494 S * 9/2016 Hoshikawa D26/107
D810,352 S * 2/2018 Bibby D26/107
D857,972 S * 8/2019 Starck
D873,474 S * 1/2020 Wang D26/107

* cited by examiner

Primary Examiner — Brian N. Vinson
(74) *Attorney, Agent, or Firm* — HYIP

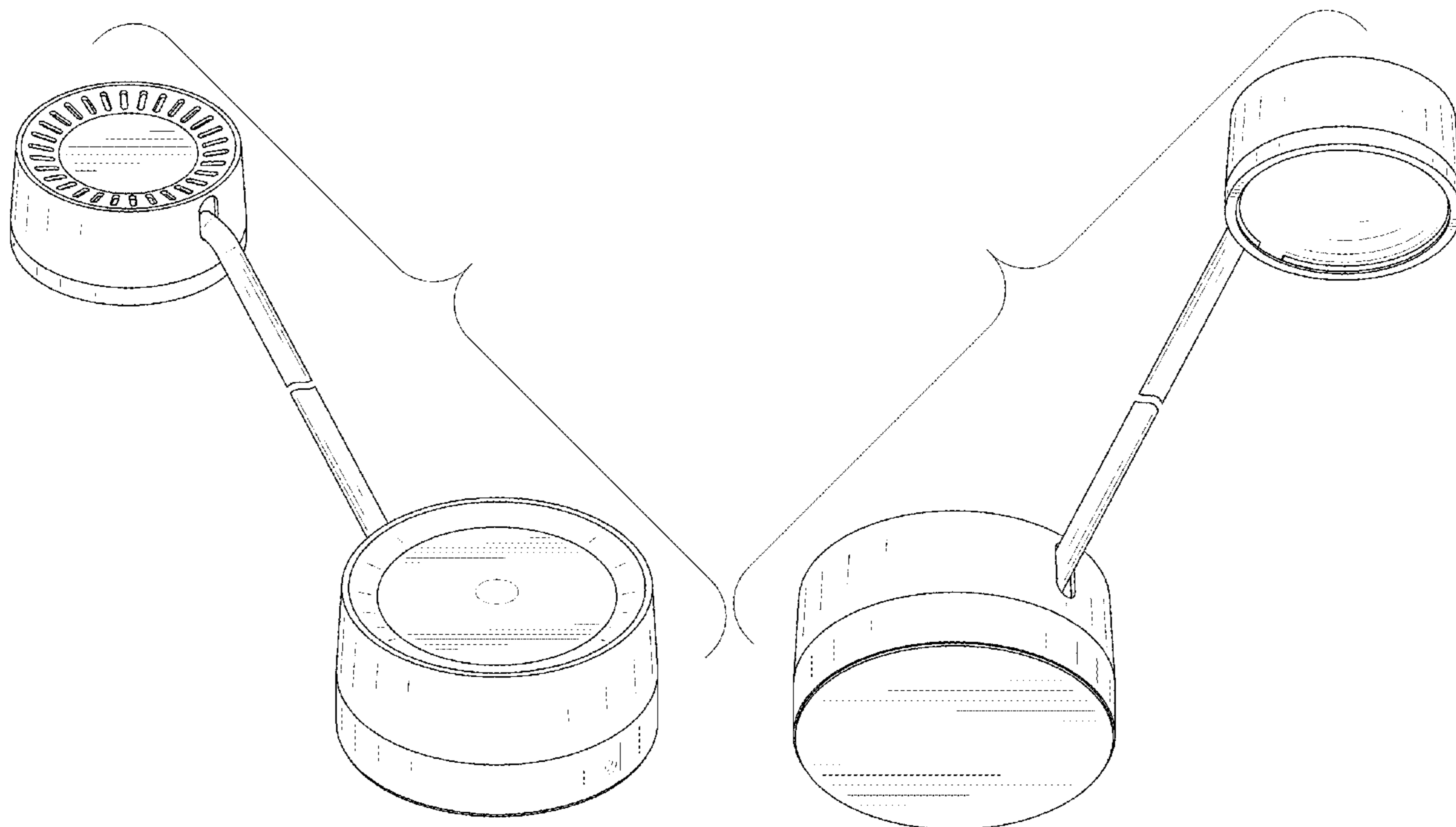
(57) **CLAIM**

The ornamental design for a table lamp, as shown and described.

DESCRIPTION

FIG. 1 is a first perspective view of a table lamp showing my new design;
FIG. 2 is a second perspective view thereof;
FIG. 3 is a front view thereof;
FIG. 4 is a back view thereof;
FIG. 5 is a left side view thereof;
FIG. 6 is a right side view thereof;
FIG. 7 is a top view thereof; and,
FIG. 8 is a bottom view thereof.
The broken lines shown in the drawings depict portions of the table lamp in which the design is embodied that form no part of the claimed design. The symbolic break shown in the drawings indicates that length of the supporting rod of the table lamp can vary.

1 Claim, 8 Drawing Sheets



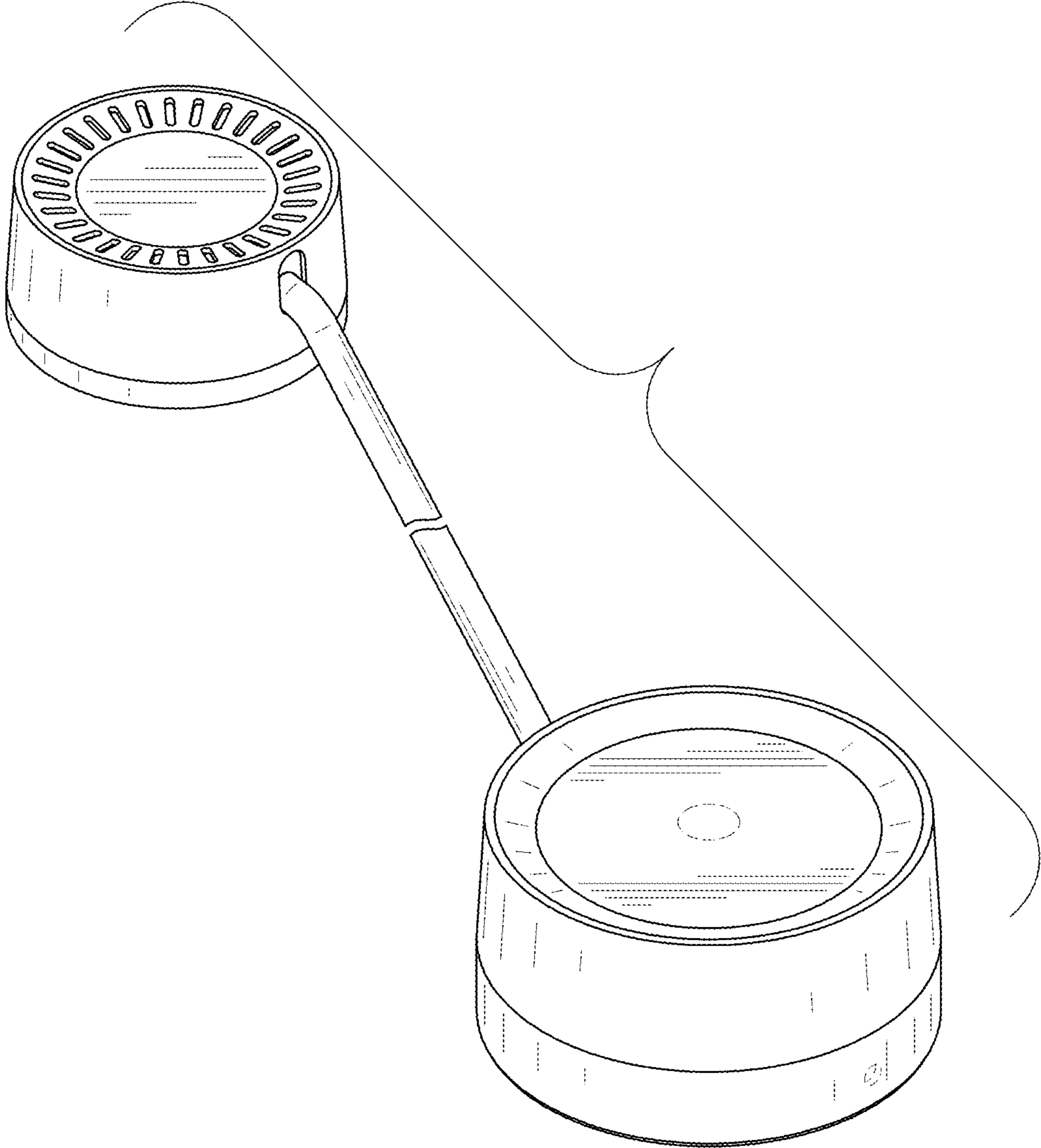


FIG. 1

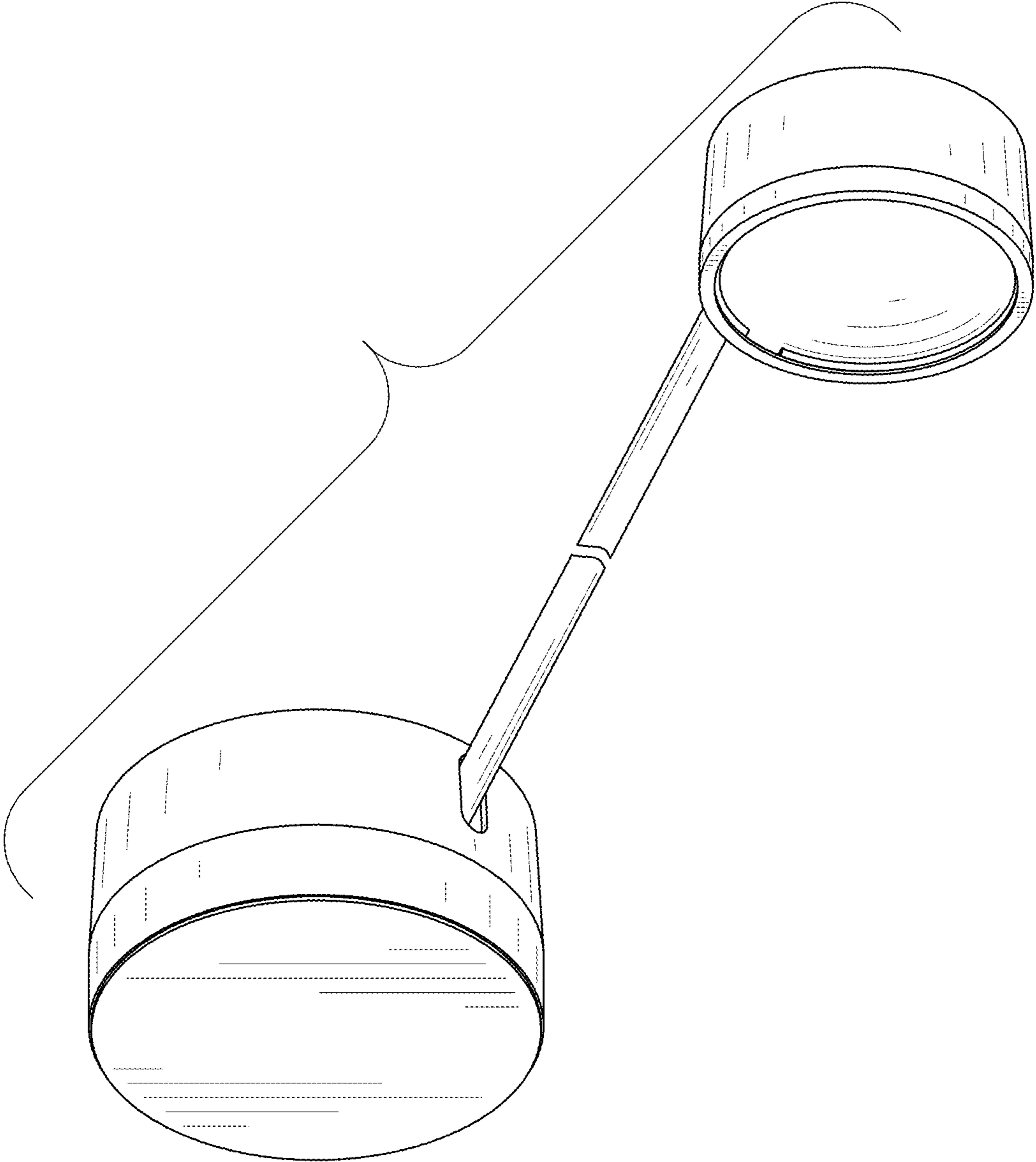


FIG. 2

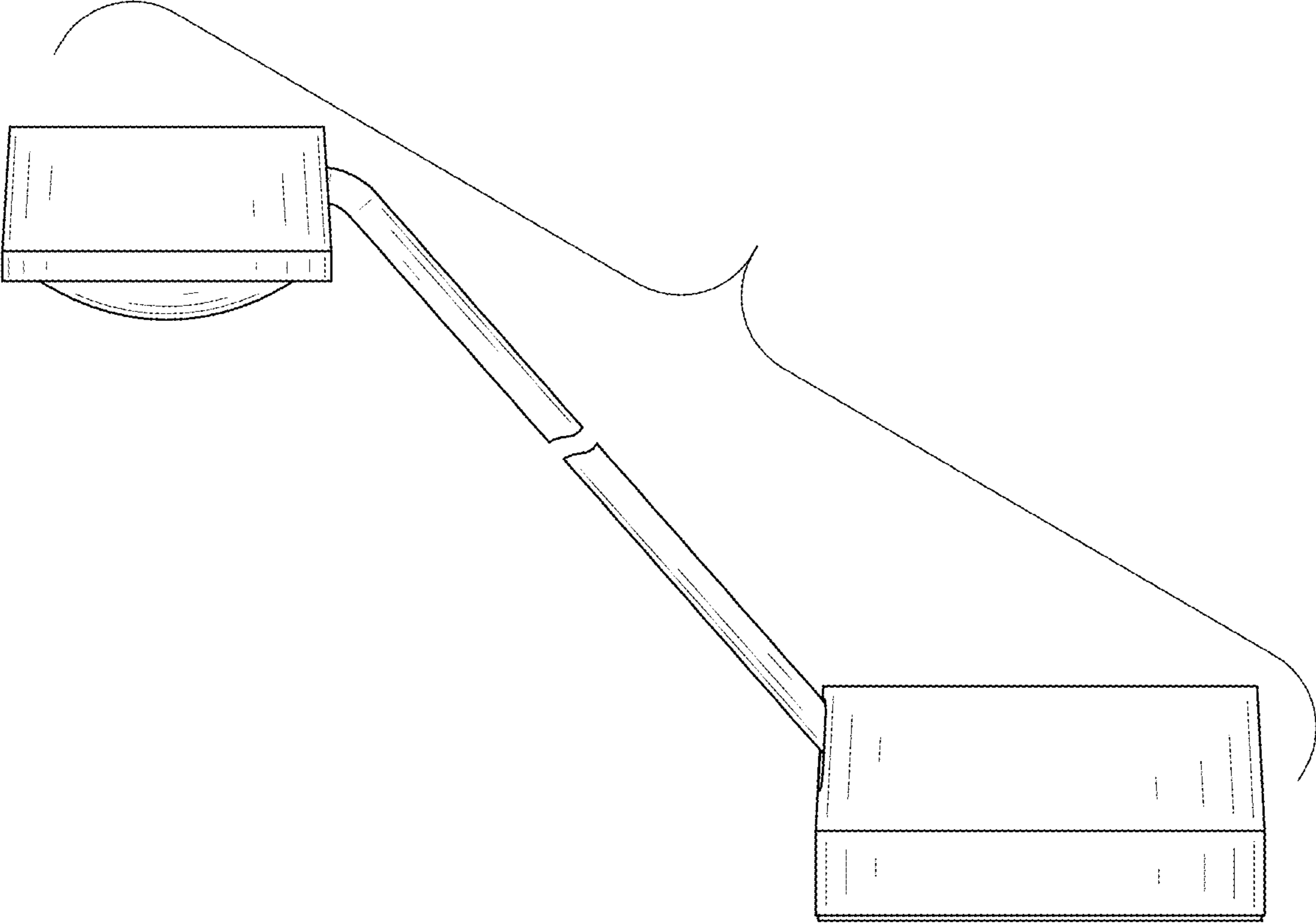


FIG. 3

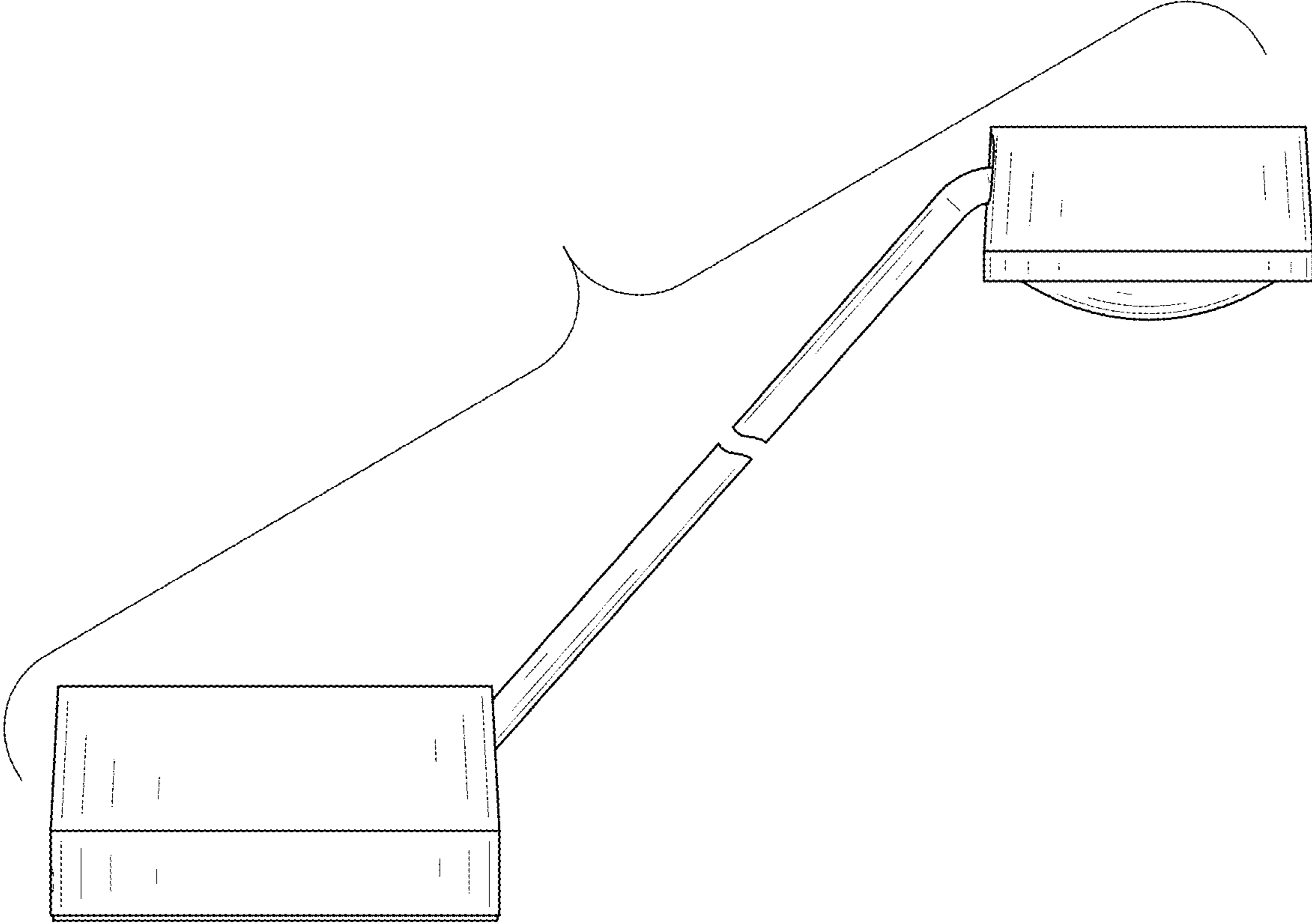


FIG. 4

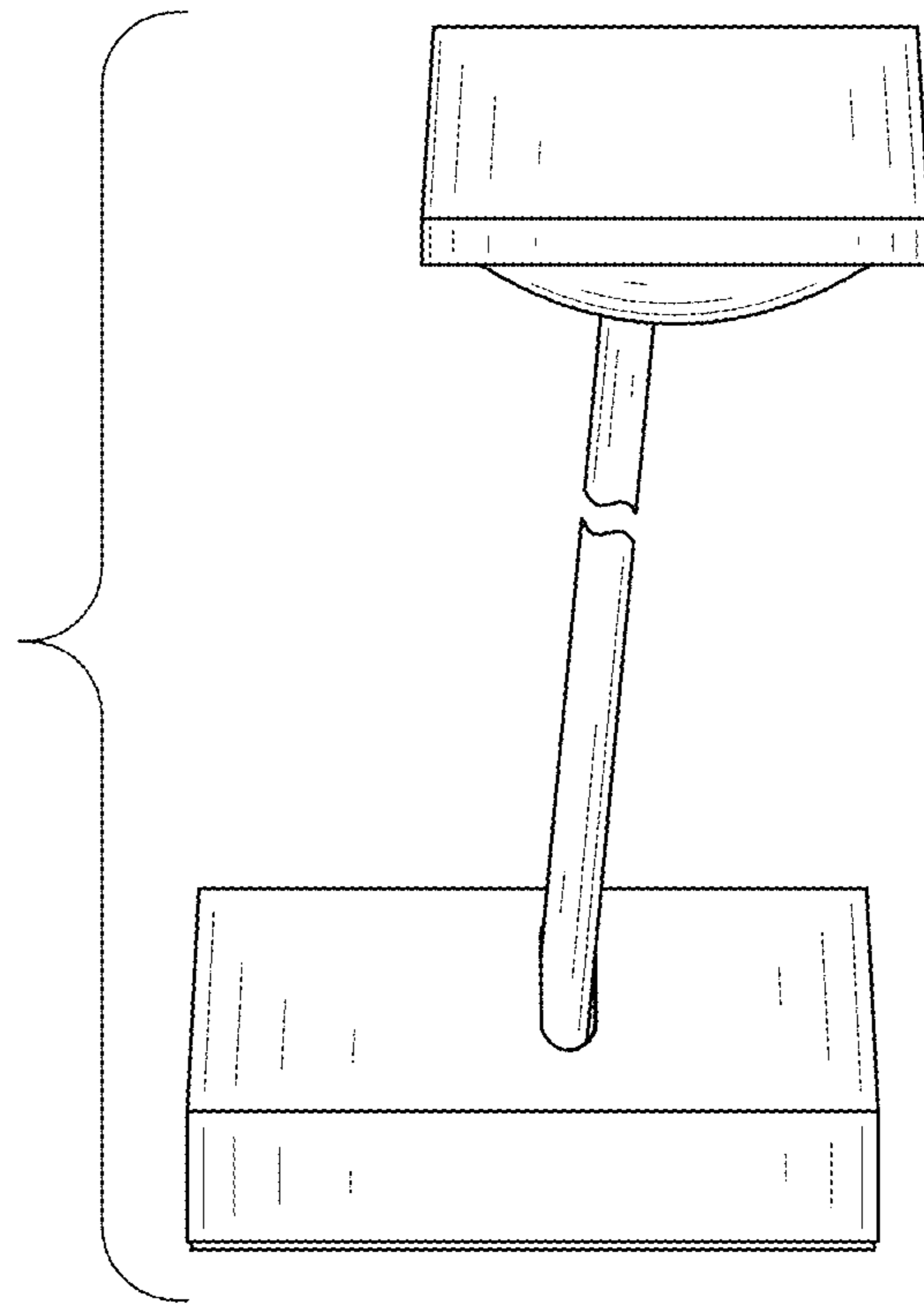


FIG. 5

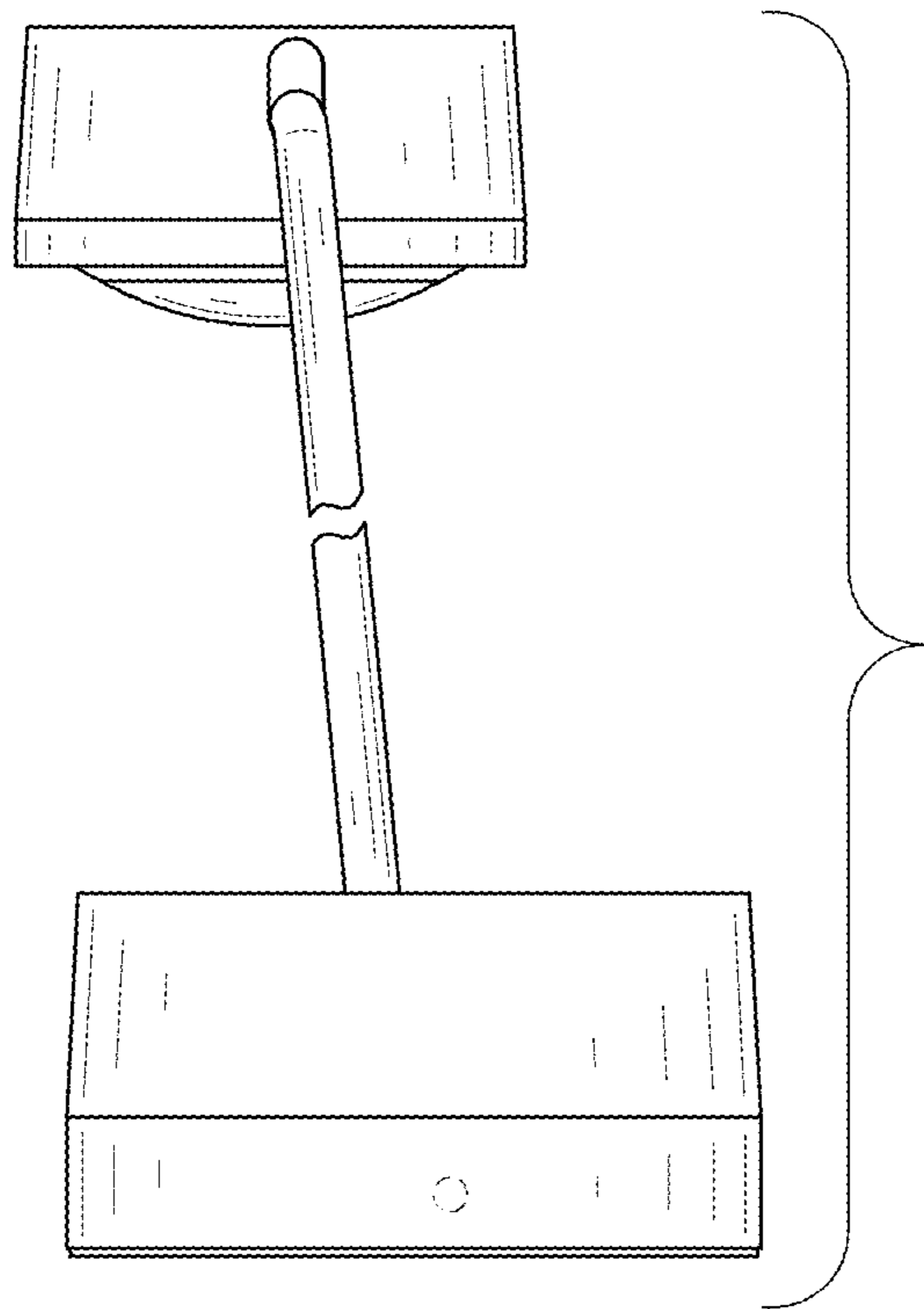


FIG. 6

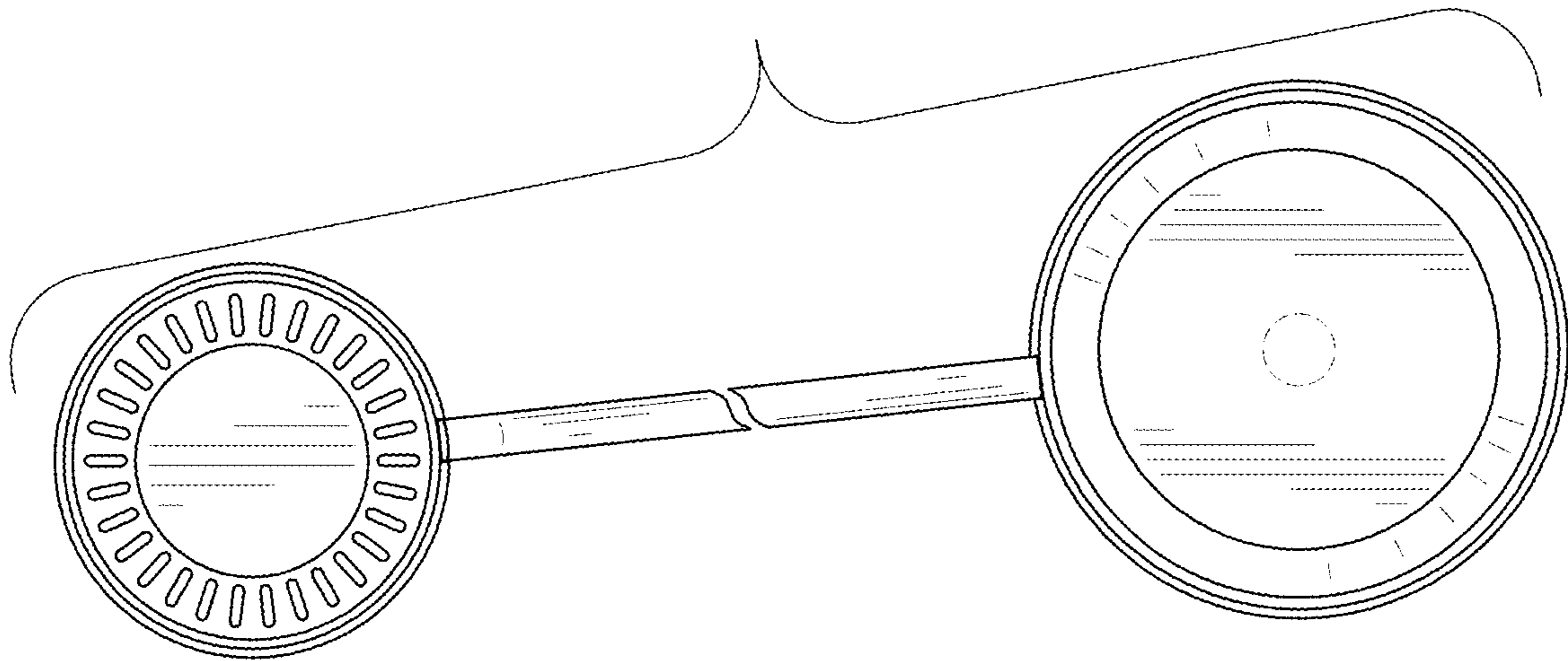


FIG. 7

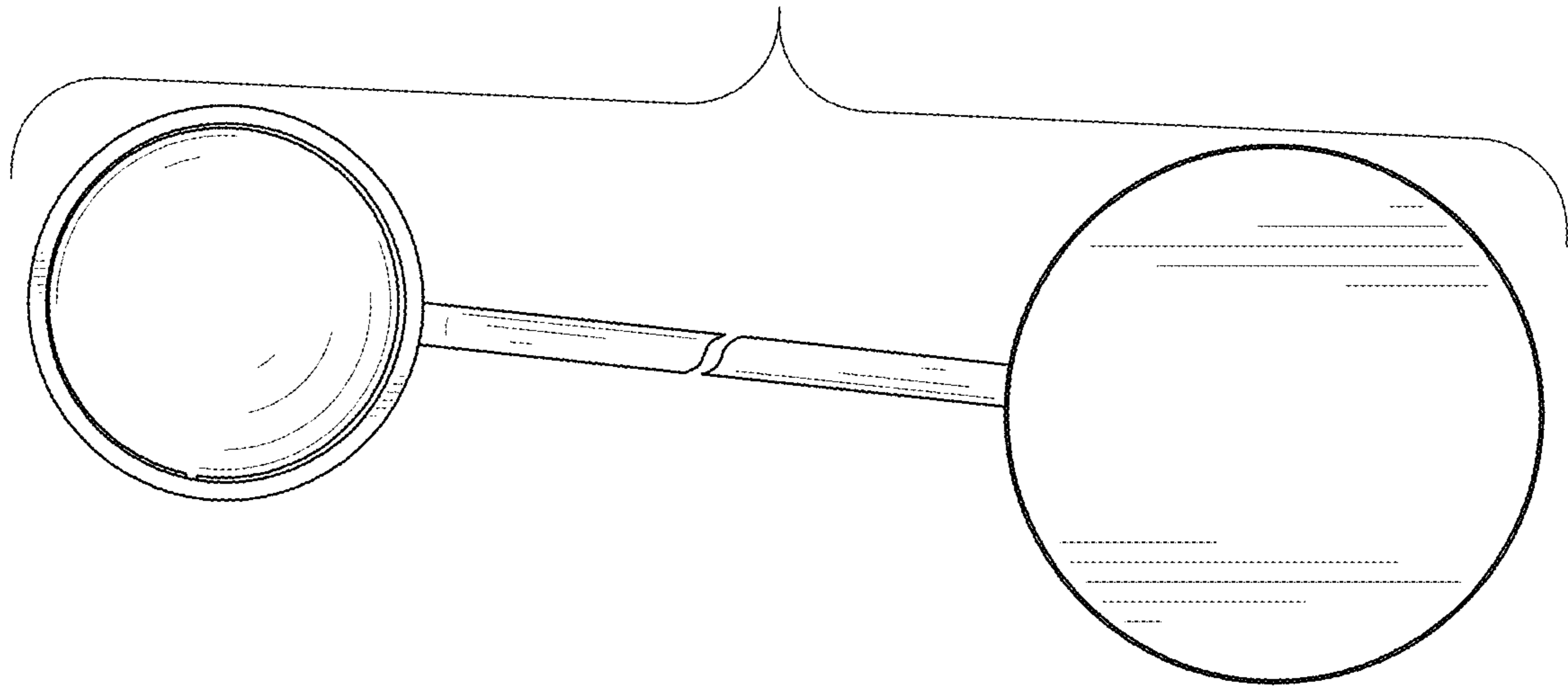


FIG. 8