



US00D889020S

(12) **United States Design Patent**  
**Bassant**

(10) **Patent No.:** **US D889,020 S**  
(45) **Date of Patent:** **\*\* Jun. 30, 2020**

(54) **WALL LIGHT**

FOREIGN PATENT DOCUMENTS

(71) Applicant: **Astro Lighting Ltd.**, Harlow, Essex  
(GB)

CN 107763510 3/2018  
CN 107795899 3/2018  
WO 1998044467 10/1998

(72) Inventor: **James Edward Bassant**, Harlow (GB)

OTHER PUBLICATIONS

(73) Assignee: **Astro Lighting Ltd** (GB)

Luxury Glass White Ball Wall Lamp Model No. L0295B-1S, by BOKT Lighting. Available at amazon.com Jun. 29, 2019. (Year: 2019).\*

(\*\*) Term: **15 Years**

Kichler Jasper Wall Sconce, 1 Light—Model No. 45580NBR. Available at amazon.com Dec. 28, 2015. (Year: 2015).\*  
www.lightshopping.com/en/equinoxe-ap1-led-minimal-wall-light.  
www.duttonbrown.com/products/lolli-globe-sconce-6.  
www.amazon.com/CCSUN-Spherical-Hardwired-Wall-Mounted-Lighting-Golden/dp/B07L29GRBQ.

(21) Appl. No.: **29/726,091**

(22) Filed: **Feb. 28, 2020**

(51) **LOC (12) Cl.** ..... **26-03**

(52) **U.S. Cl.**  
USPC ..... **D26/87**

(58) **Field of Classification Search**  
USPC ..... D26/85, 86, 87, 91, 92, 155  
CPC .... F21S 8/03; F21S 8/031; F21S 8/033; F21S  
8/035; F21S 8/036; F21S 13/02  
See application file for complete search history.

\* cited by examiner

*Primary Examiner* — Clare E Heflin  
(74) *Attorney, Agent, or Firm* — Kane Kessler, P.C.;  
Barry E. Negrin

(57) **CLAIM**

The ornamental design for a wall light, as shown.

**DESCRIPTION**

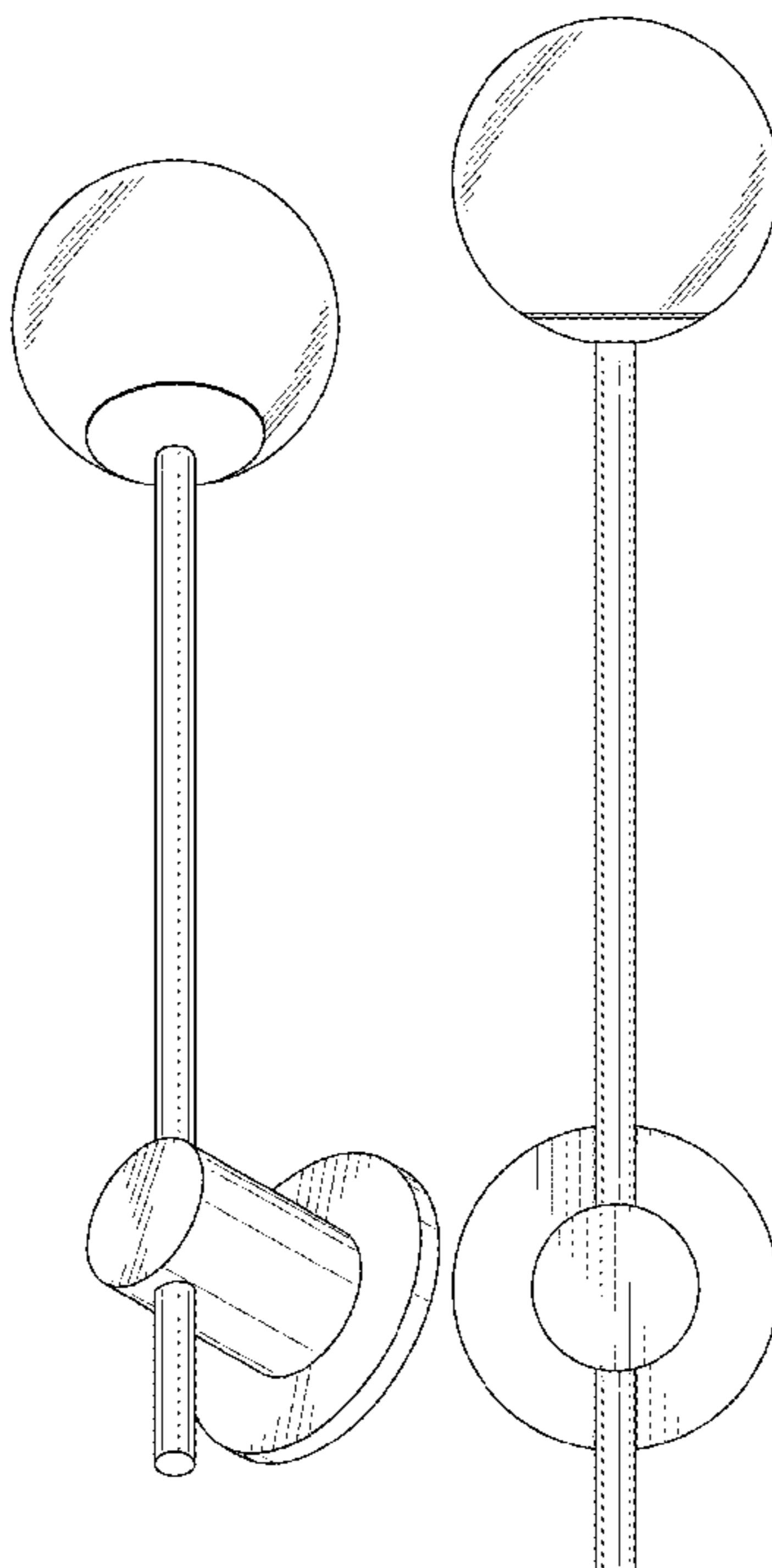
FIG. 1 is top-front perspective view of a wall light, showing our new design.  
FIG. 2 is bottom-front perspective view thereof.  
FIG. 3 is a front elevational view thereof.  
FIG. 4 is a rear elevational view thereof.  
FIG. 5 is a left elevational view thereof.  
FIG. 6 is a right elevational view thereof.  
FIG. 7 is a top plan view thereof; and,  
FIG. 8 is a bottom plan view thereof.

(56) **References Cited**

U.S. PATENT DOCUMENTS

D442,317 S *	5/2001	Crosby	.....	D26/87
D442,318 S *	5/2001	Hsieh	.....	D26/87
D558,911 S *	1/2008	Bickler	.....	D26/87
D605,331 S *	12/2009	Miranda	.....	D26/87
8,944,617 B2	2/2015	Crookham et al.		
D818,177 S *	5/2018	Amato	.....	D26/87
D826,458 S *	8/2018	Amato	.....	D26/87
D833,057 S *	11/2018	Cho	.....	D26/87
D835,325 S *	12/2018	Gambrel	.....	D26/87
D880,047 S *	3/2020	Amato	.....	D26/87

**1 Claim, 7 Drawing Sheets**



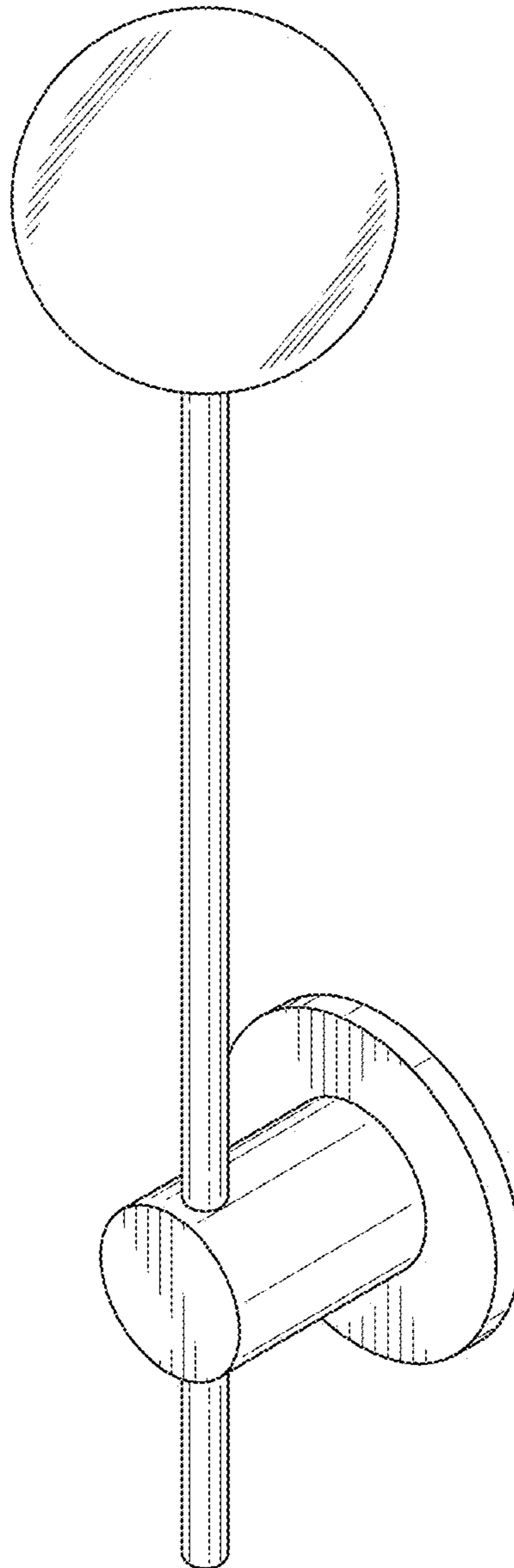


FIG. 1

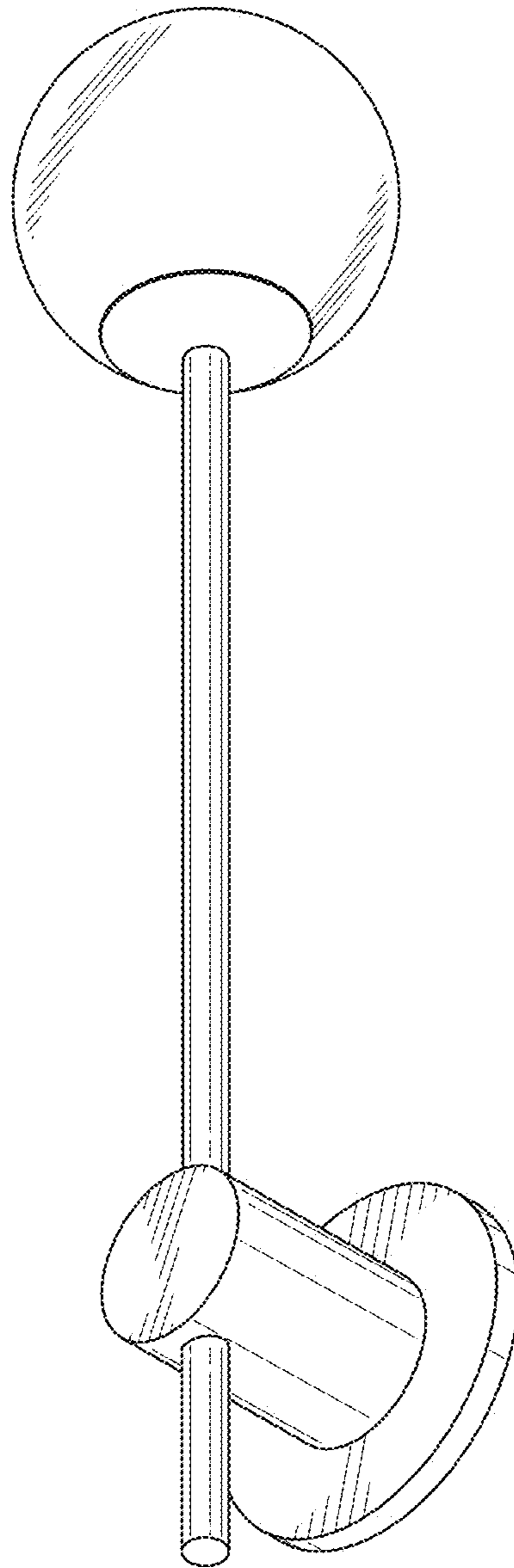


FIG. 2

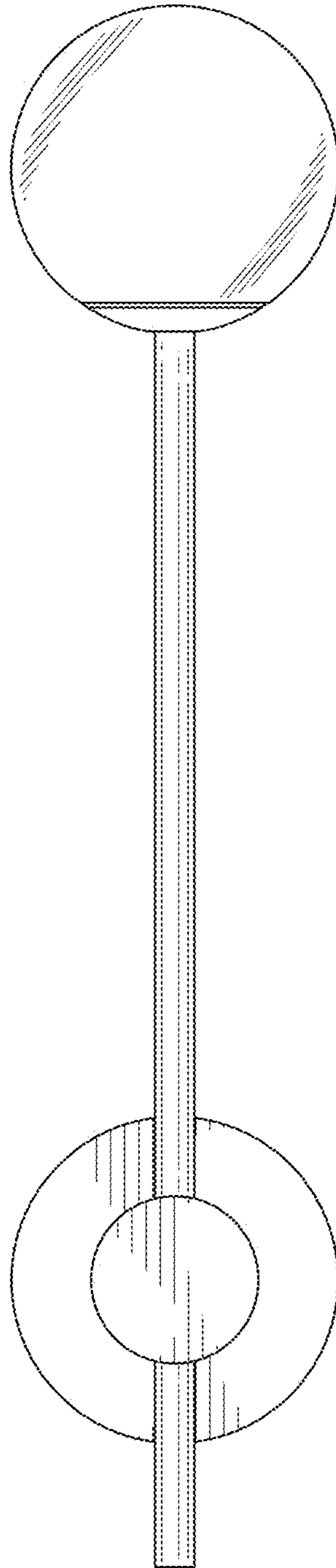


FIG. 3

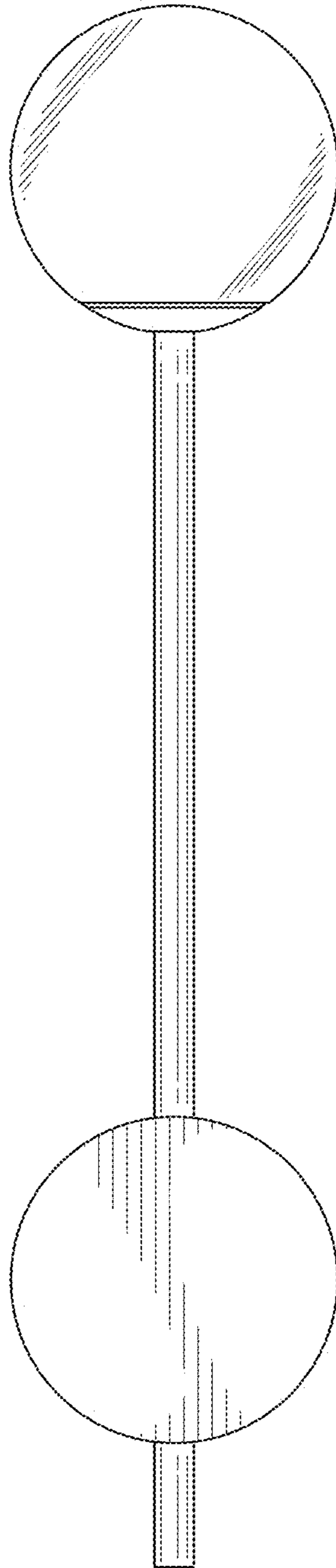


FIG. 4

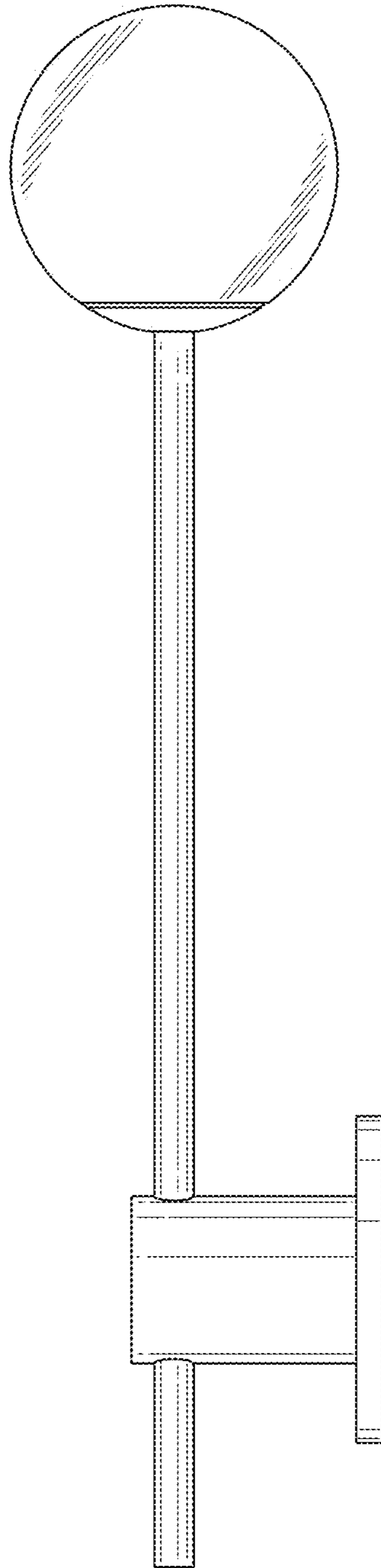


FIG. 5

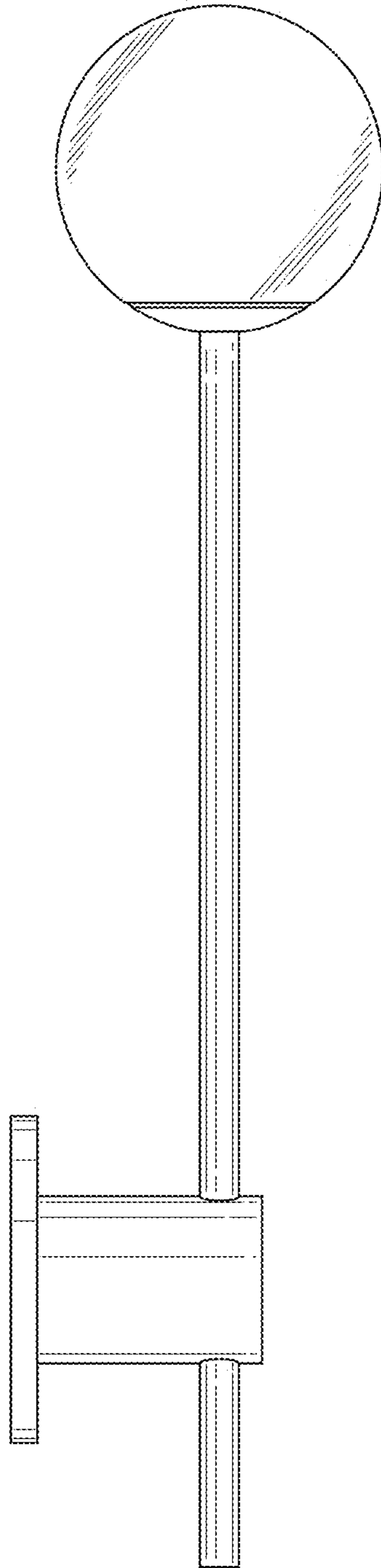


FIG. 6

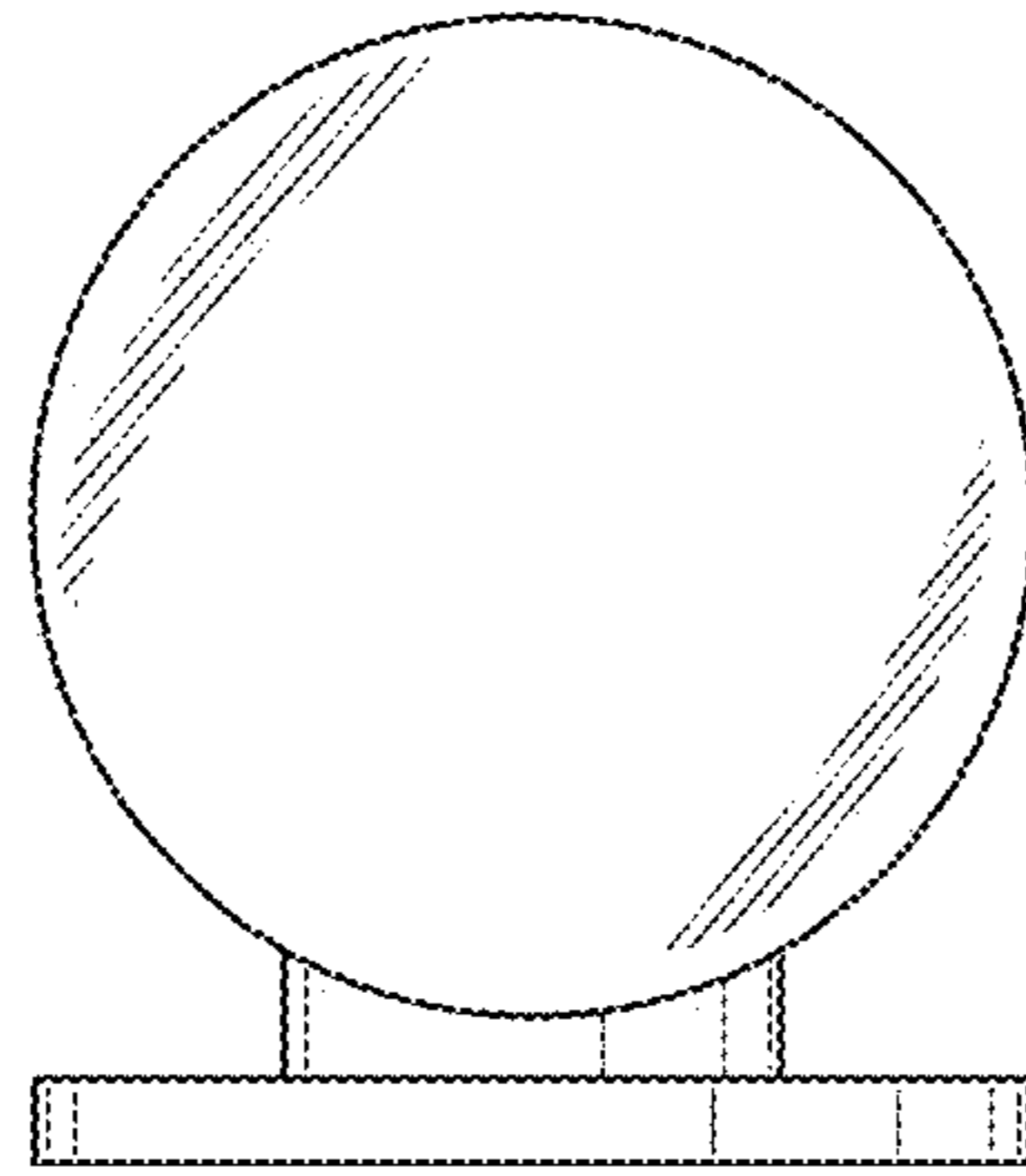


FIG. 7

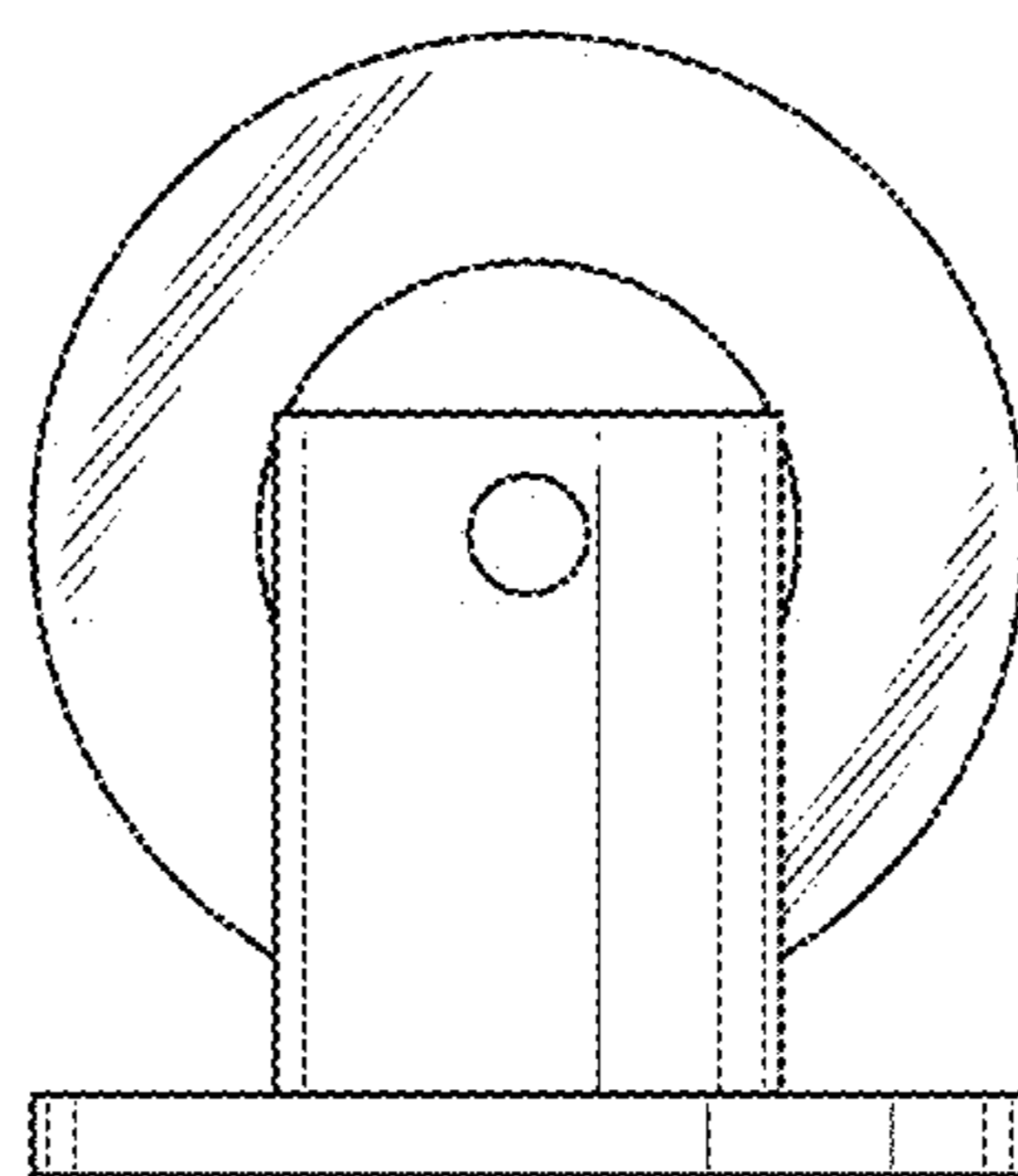


FIG. 8



UNITED STATES PATENT AND TRADEMARK OFFICE  
**CERTIFICATE OF CORRECTION**

PATENT NO. : D889,020 S  
APPLICATION NO. : 29/726091  
DATED : June 30, 2020  
INVENTOR(S) : James Edward Bassant

Page 1 of 1

It is certified that error appears in the above-identified patent and that said Letters Patent is hereby corrected as shown below:

On the Title Page

Foreign Application Priority Data should be listed in Column 1:

EUROPEAN UNION INTELLECTUAL PROPERTY OFF 007547906-0007 01/23/2020

Signed and Sealed this  
Twenty-fourth Day of August, 2021



Drew Hirshfeld  
*Performing the Functions and Duties of the  
Under Secretary of Commerce for Intellectual Property and  
Director of the United States Patent and Trademark Office*