



US00D889019S

(12) **United States Design Patent** (10) **Patent No.:** **US D889,019 S**
Pan (45) **Date of Patent:** **** Jun. 30, 2020**

(54) **LED LAMP**

(71) Applicant: **SHENZHEN SNC OPTO ELECTRONIC CO., LTD.**, Shenzhen (CN)

(72) Inventor: **Nianhua Pan**, Shenzhen (CN)

(73) Assignee: **SHENZHEN SNC OPTO ELECTRONIC CO., LTD.**, Shenzhen (CN)

(**) Term: **15 Years**

(21) Appl. No.: **29/677,227**

(22) Filed: **Jan. 18, 2019**

(51) **LOC (12) Cl.** **26-05**

(52) **U.S. Cl.**
USPC **D26/85**

(58) **Field of Classification Search**
USPC D10/106.6, 106.8; D26/51, 60, 72, 78, D26/80, 81, 82, 85, 86, 88
CPC F21S 8/03; F21S 8/003; F21S 8/036; F21S 8/037; F21S 9/022; F21S 9/024; F21S 9/03; F21S 9/037; F21S 13/02; F21S 13/10; F21S 13/14; F21W 2131/107; G08B 13/193

See application file for complete search history.

(56) **References Cited**

U.S. PATENT DOCUMENTS

D269,072 S * 5/1983 Sweet D10/106.6
D459,519 S * 6/2002 Russello D26/85

D503,822 S * 4/2005 Monroe D26/85
D569,028 S * 5/2008 Sandell D26/85
D651,532 S * 1/2012 Li D10/70
D816,879 S * 5/2018 Guercio D26/85
D869,320 S * 12/2019 Wang D10/106.6

* cited by examiner

Primary Examiner — Kevin K Rudzinski

Assistant Examiner — Richard Kearney

(57) **CLAIM**

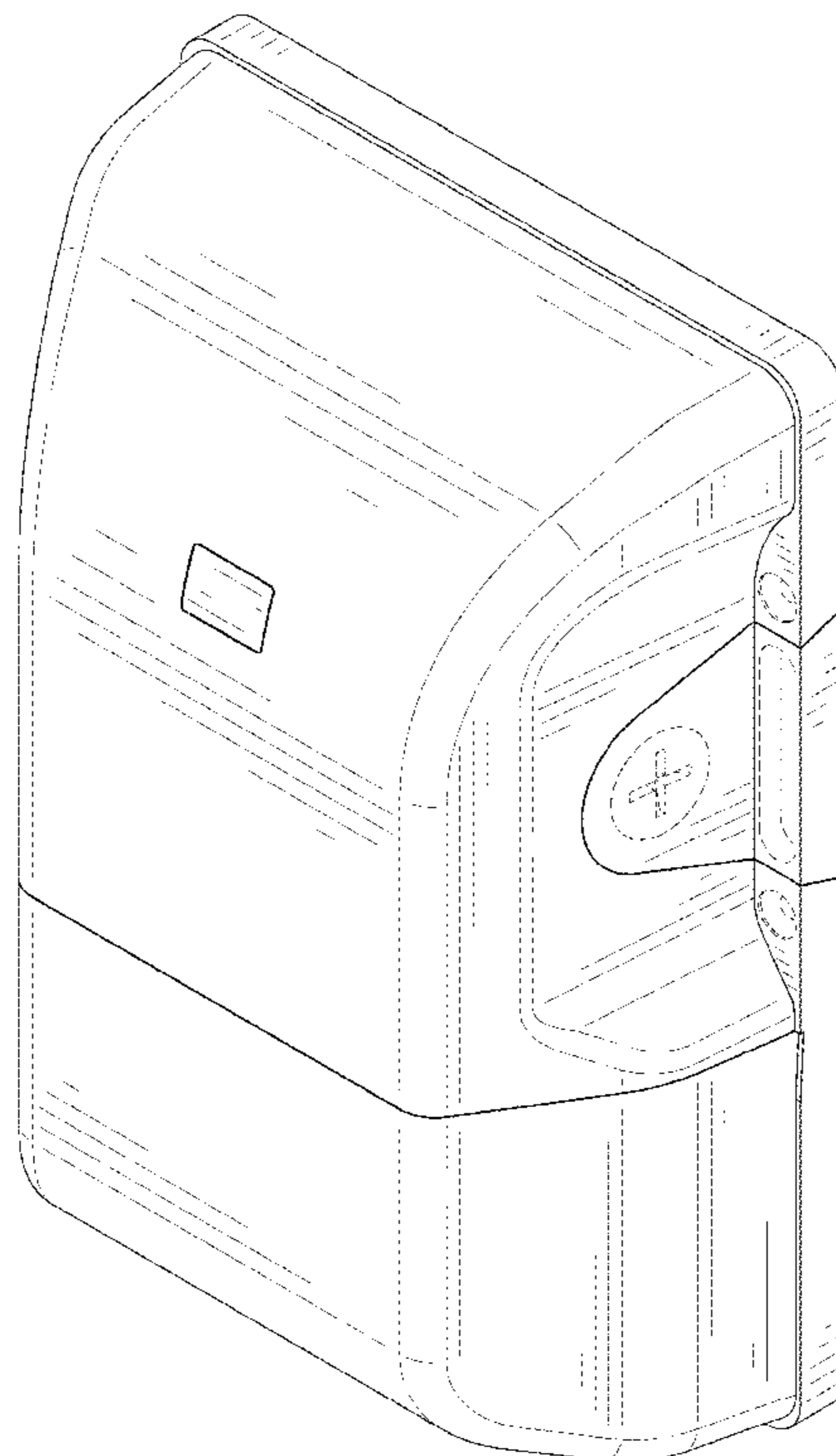
The ornamental design for an LED lamp, as shown and described.

DESCRIPTION

FIG. 1 is a front perspective view of an LED lamp showing my new design;
FIG. 2 is a rear perspective view thereof;
FIG. 3 is a front elevational view thereof;
FIG. 4 is a rear elevational view thereof;
FIG. 5 is a left side elevational view thereof;
FIG. 6 is a right side elevational view thereof;
FIG. 7 is a top plan view thereof; and,
FIG. 8 is a bottom plan view thereof.

The broken lines in the drawings depict portions of the LED lamp that form no part of the claimed design.

1 Claim, 8 Drawing Sheets



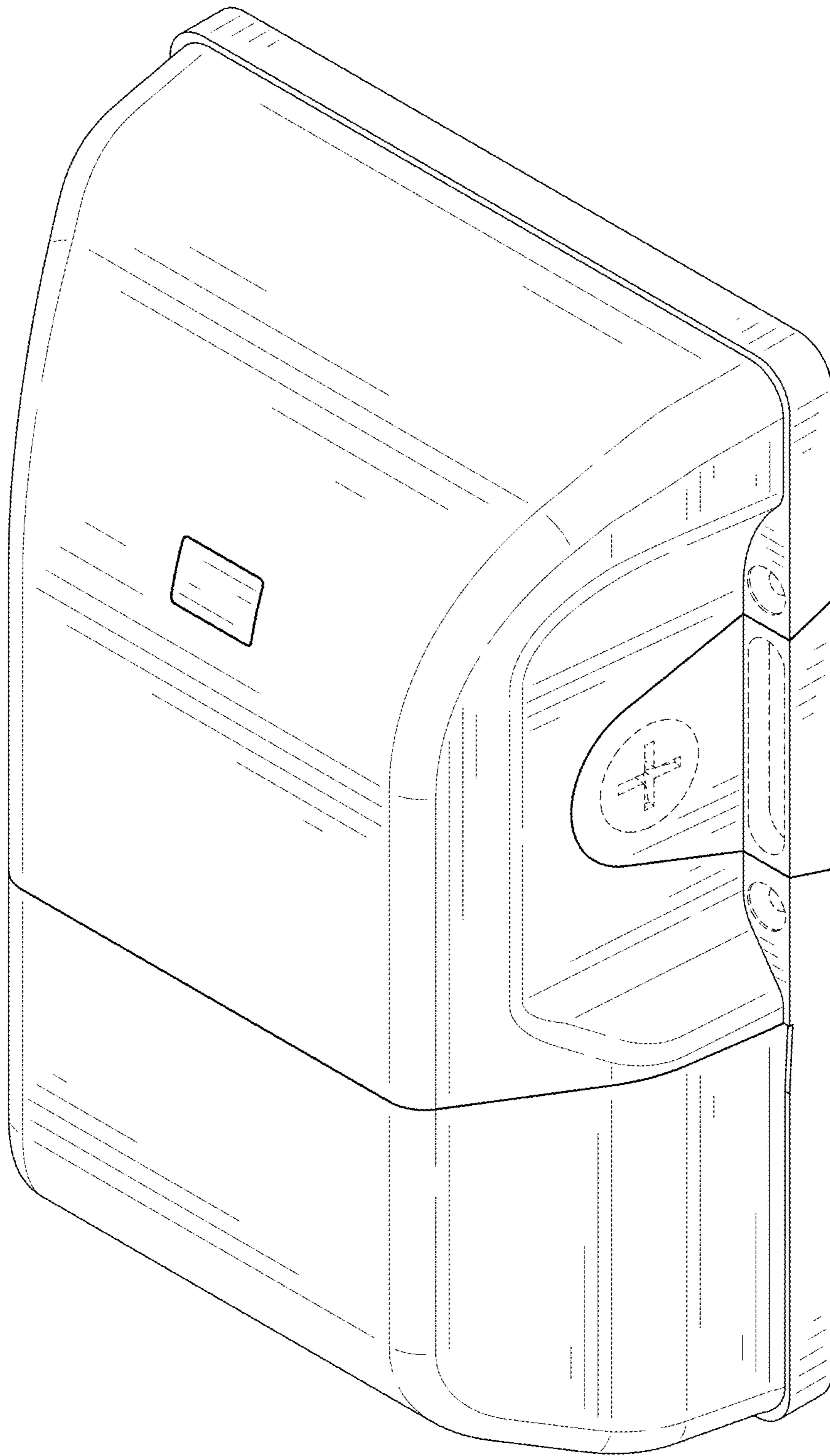


FIG. 1

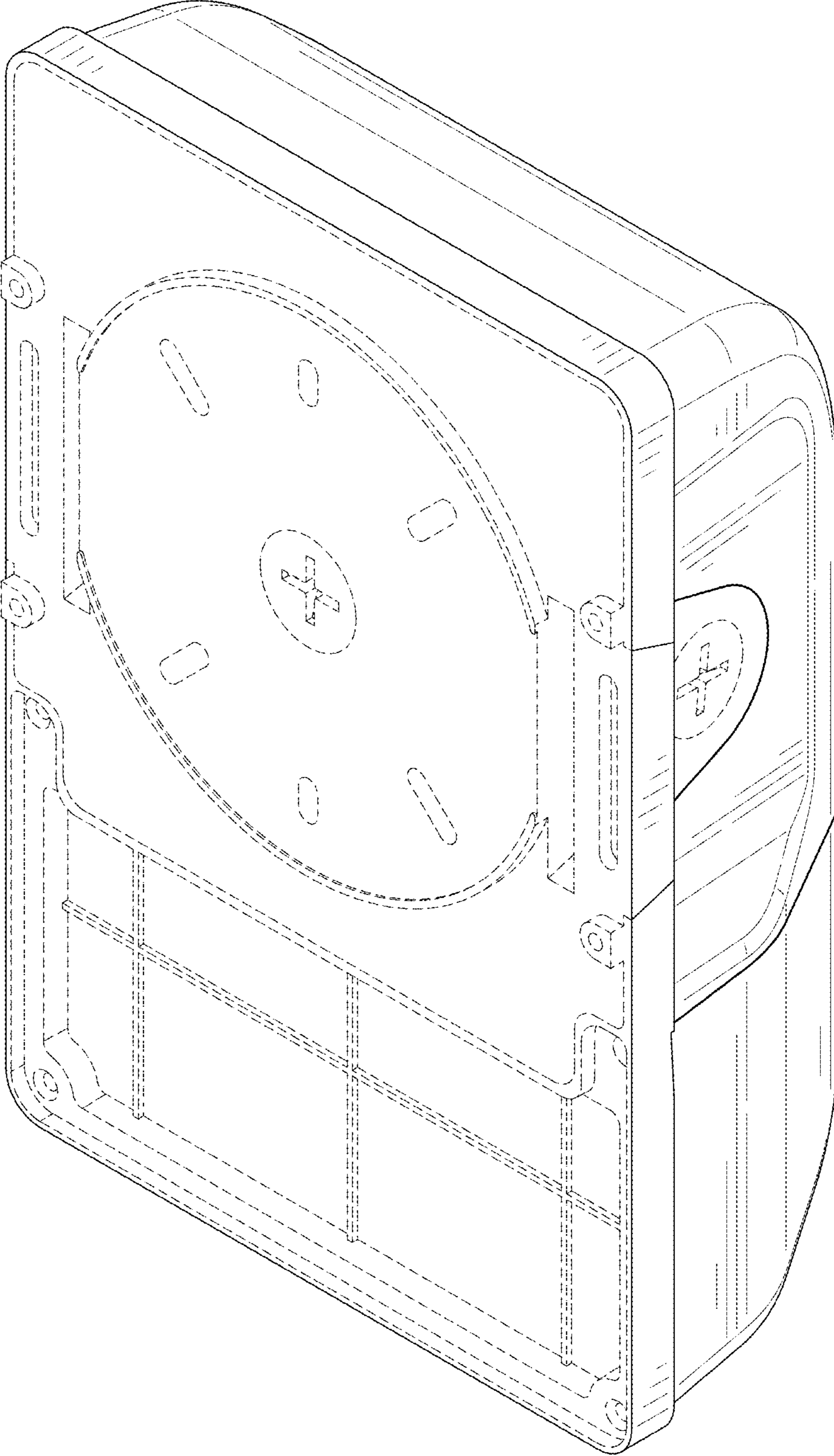


FIG. 2

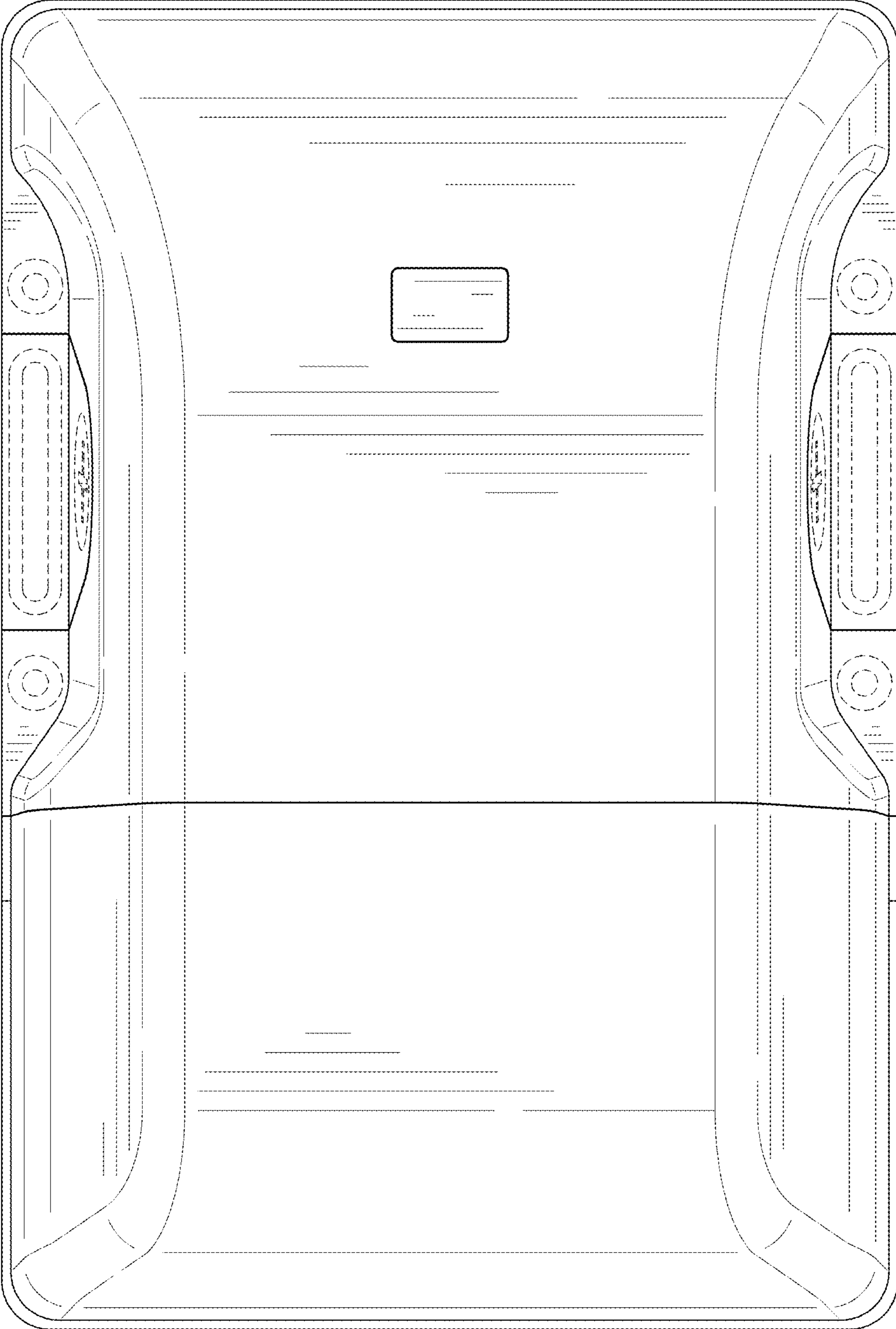


FIG. 3

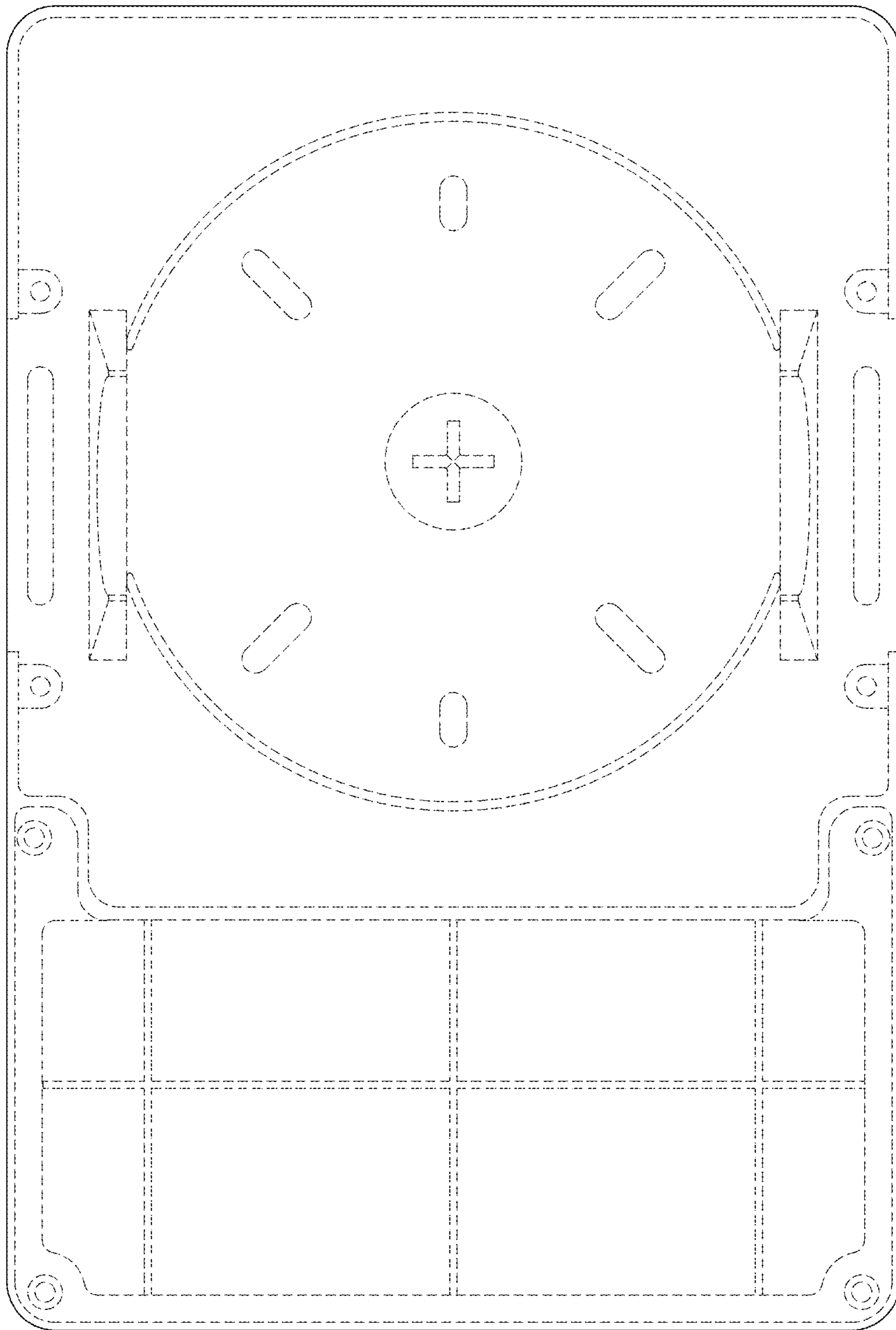


FIG. 4

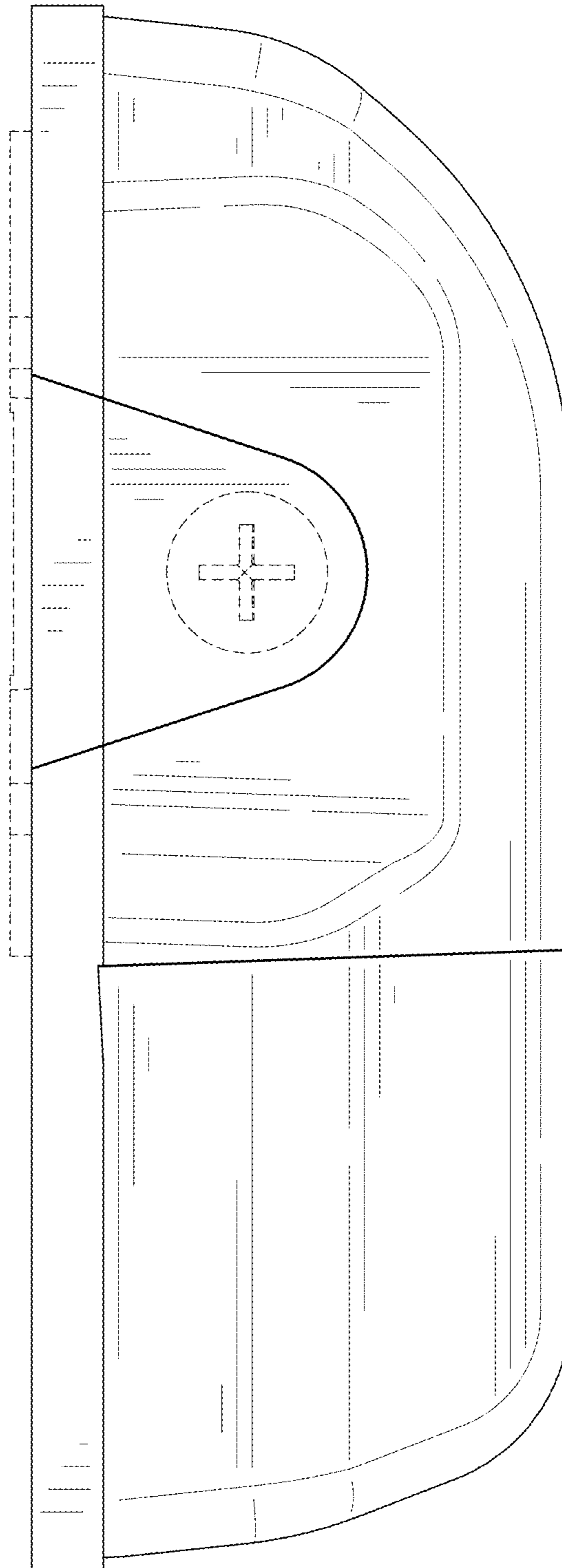


FIG. 5

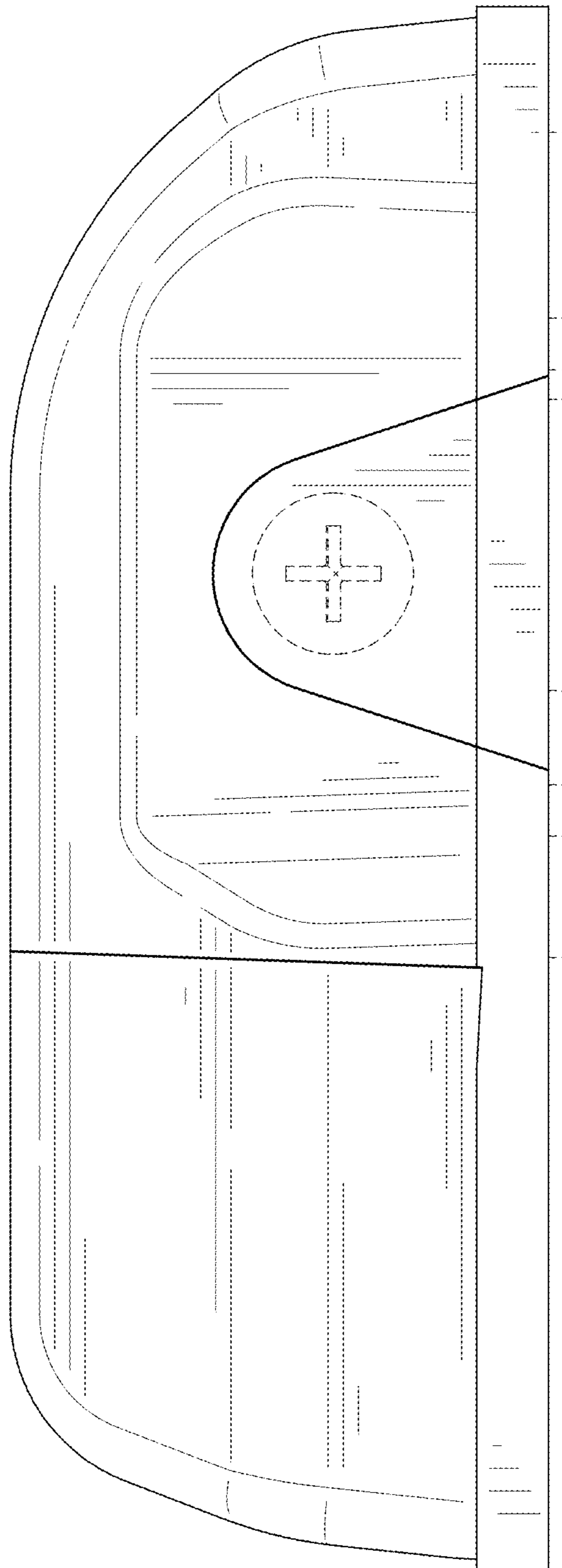


FIG. 6

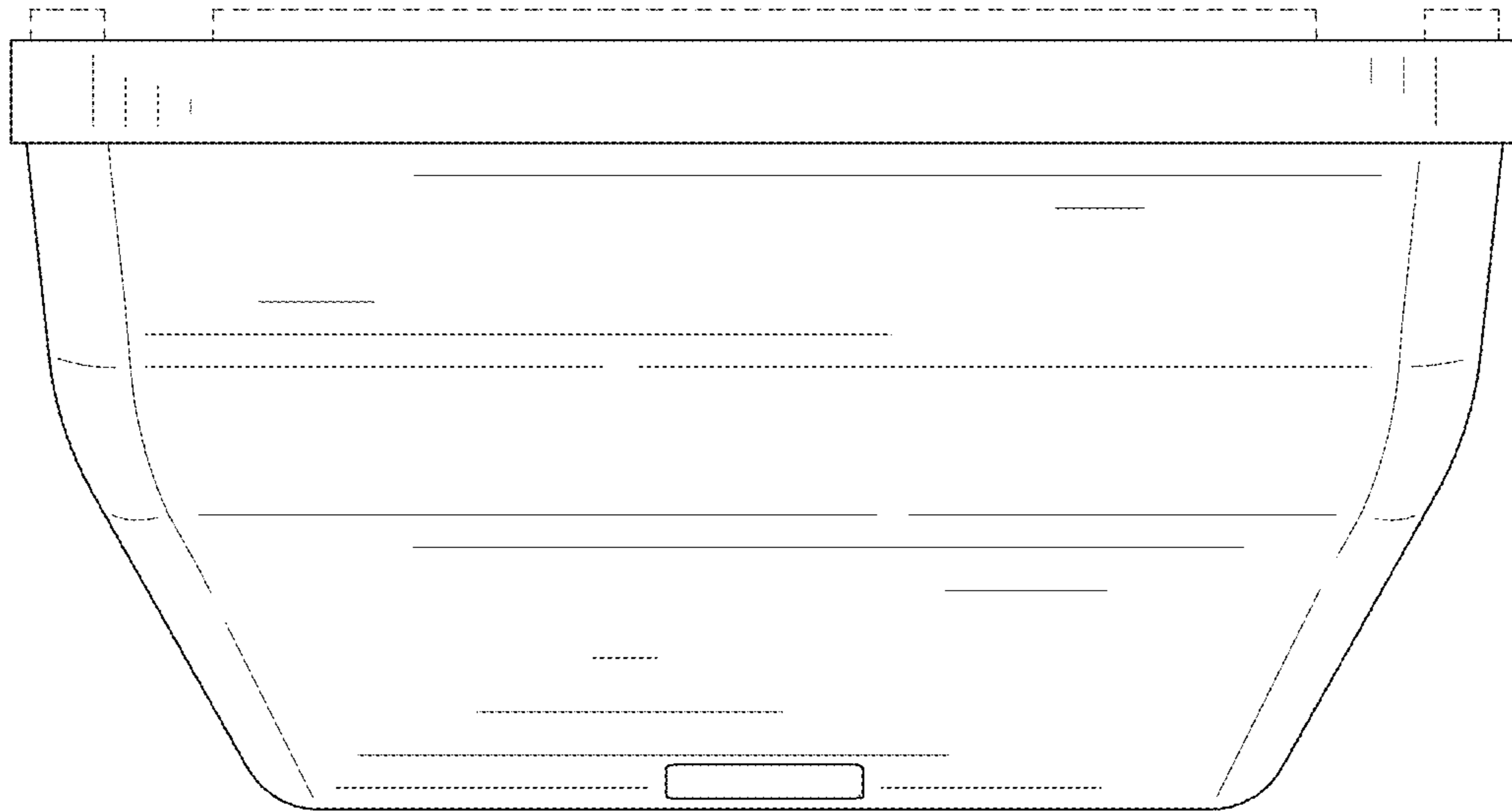


FIG. 7

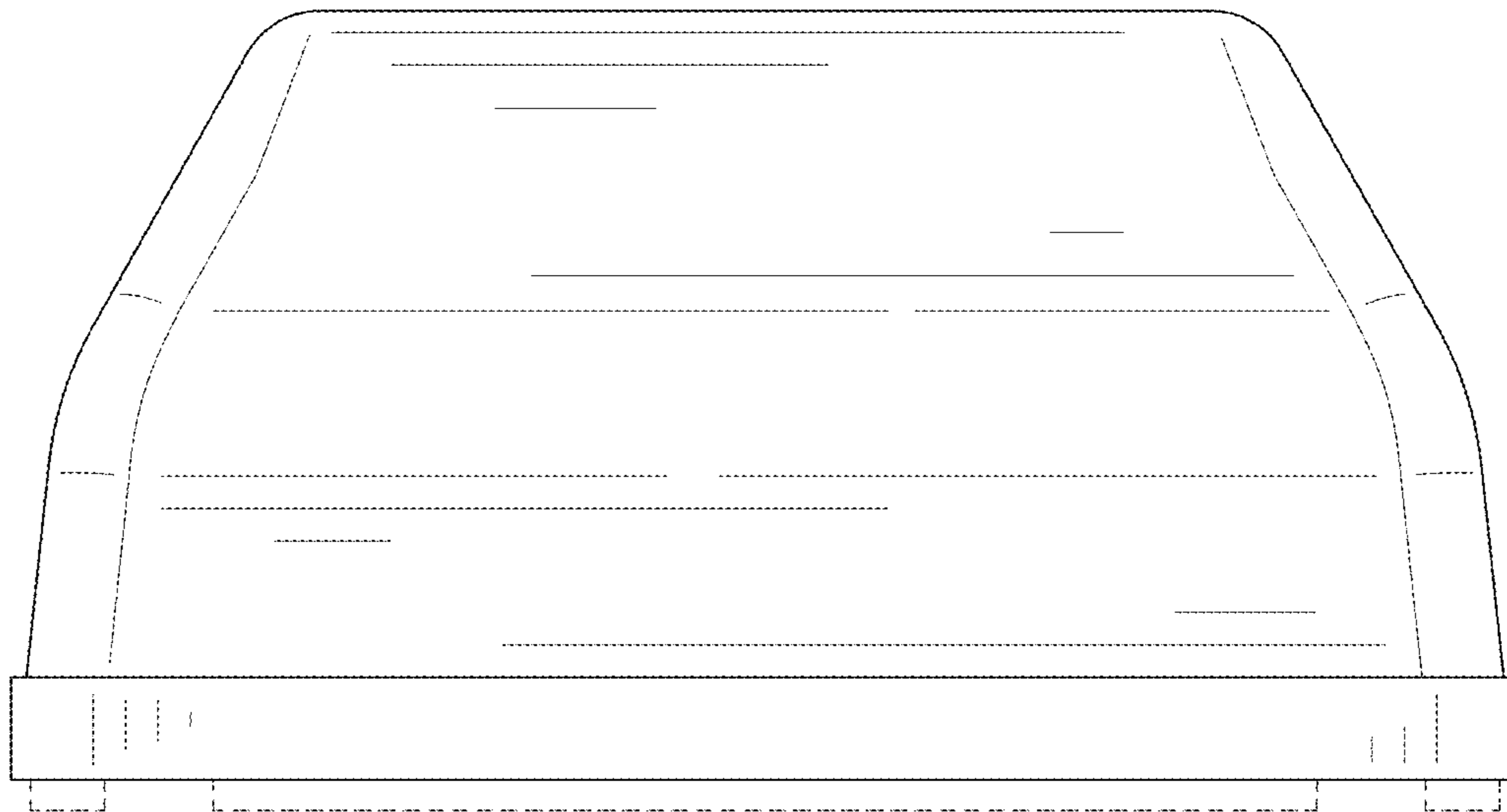


FIG. 8