



US00D889011S

(12) **United States Design Patent**
Hong

(10) **Patent No.:** **US D889,011 S**

(45) **Date of Patent:** **** Jun. 30, 2020**

(54) **FLASHLIGHT**

(71) Applicant: **Qiming Hong**, Cixi (CN)

(72) Inventor: **Qiming Hong**, Cixi (CN)

(**) Term: **15 Years**

(21) Appl. No.: **29/662,135**

(22) Filed: **Sep. 3, 2018**

(51) **LOC (12) Cl.** **26-02**

(52) **U.S. Cl.**
USPC **D26/49**

(58) **Field of Classification Search**
USPC D26/37-38, 40-42, 46, 49-50
CPC F21L 2003/00; F21L 4/00; F21L 4/005;
F21L 4/02; F21L 4/022; F21L 4/025;
F21L 4/027; F21L 4/04; F21L 4/045;
F21L 4/08; F21L 4/085; F21L 2005/00;
F21L 14/02

See application file for complete search history.

(56) **References Cited**

U.S. PATENT DOCUMENTS

D481,147 S *	10/2003	Yang	D26/49
D486,936 S *	2/2004	Shiu	D26/49
D515,230 S *	2/2006	Galli	D26/49
D557,836 S *	12/2007	Shiu	D26/37
D570,511 S *	6/2008	Shiu	D26/49
D674,943 S *	1/2013	Sheikh	D22/117
D698,961 S *	2/2014	Dalton	D26/49
9,508,391 B2 *	11/2016	Bushee	F21L 4/005

D846,169 S *	4/2019	Inskeep	D26/49
D853,610 S *	7/2019	Galli	D26/49
D865,250 S *	10/2019	Qiu	D26/49
D877,379 S *	3/2020	Qiu	D26/49
D878,651 S *	3/2020	Qiu	D26/49

FOREIGN PATENT DOCUMENTS

CN	305197723	*	9/2018
EM	005635448-0001	*	9/2018
GB	6043572	*	9/2018

* cited by examiner

Primary Examiner — Lilyana Bekic
Assistant Examiner — Stacey L Hopkins

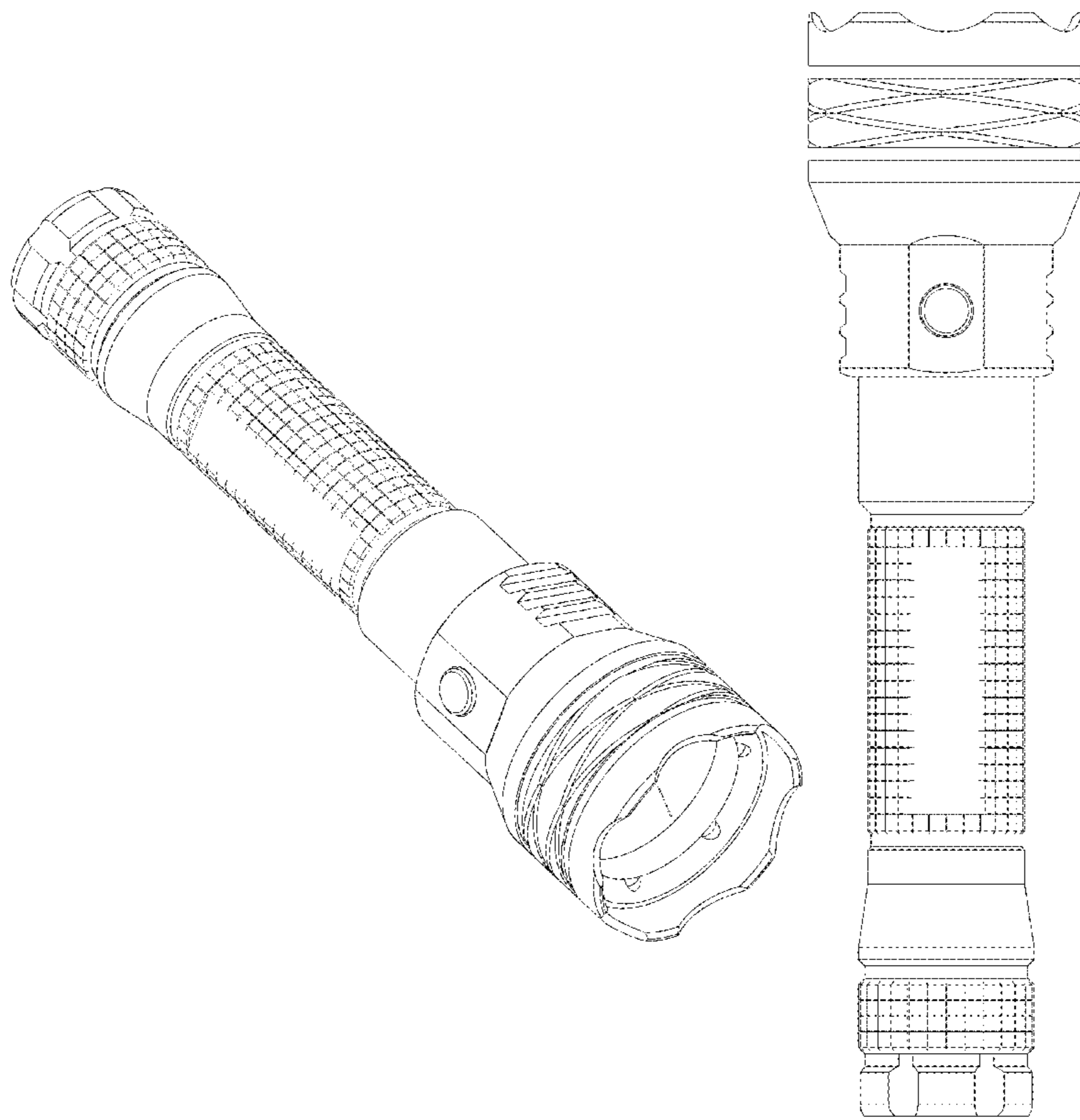
(57) **CLAIM**

The ornamental design for a flashlight, as shown and described.

DESCRIPTION

FIG. 1 is a front perspective view of a flashlight showing my new design;
FIG. 2 is a front elevational view thereof;
FIG. 3 is a rear elevational view thereof;
FIG. 4 is a left side elevational view thereof;
FIG. 5 is a right side elevational view thereof;
FIG. 6 is a top plan view thereof;
FIG. 7 is a bottom plan view thereof; and,
FIG. 8 is a rear perspective view thereof.

1 Claim, 7 Drawing Sheets



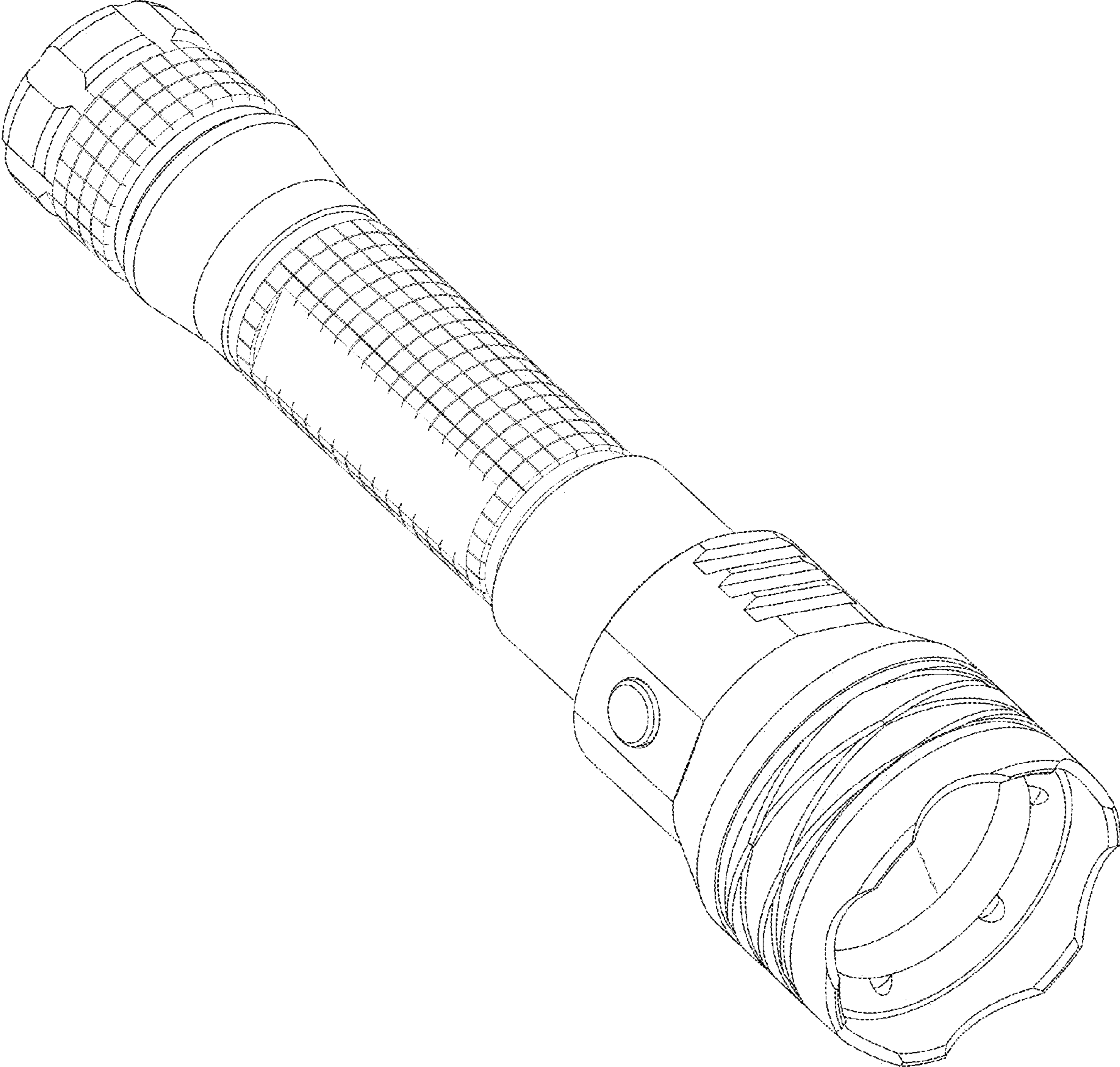


FIG. 1

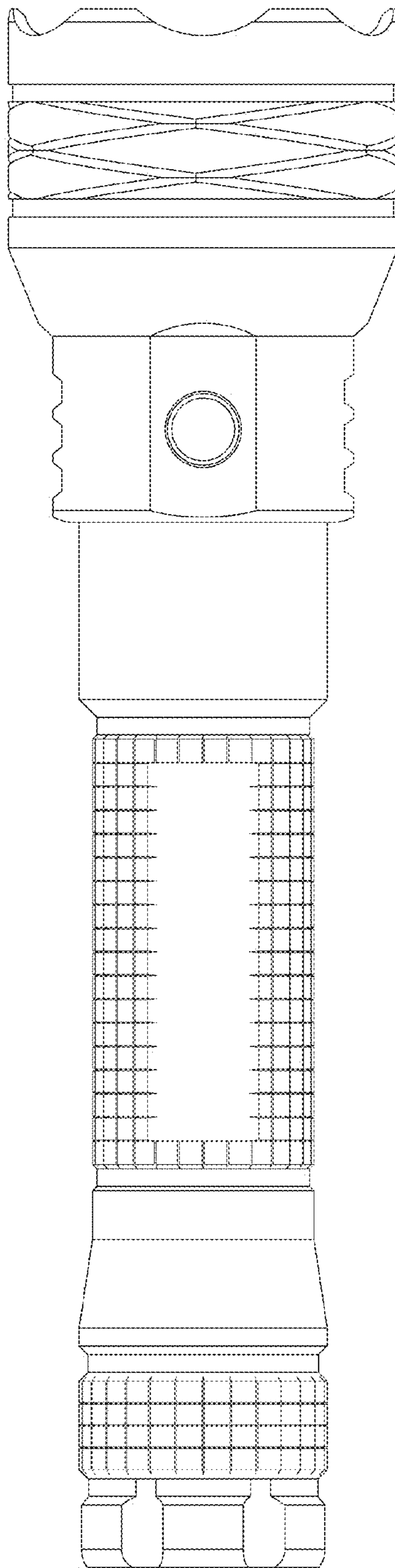


FIG.2

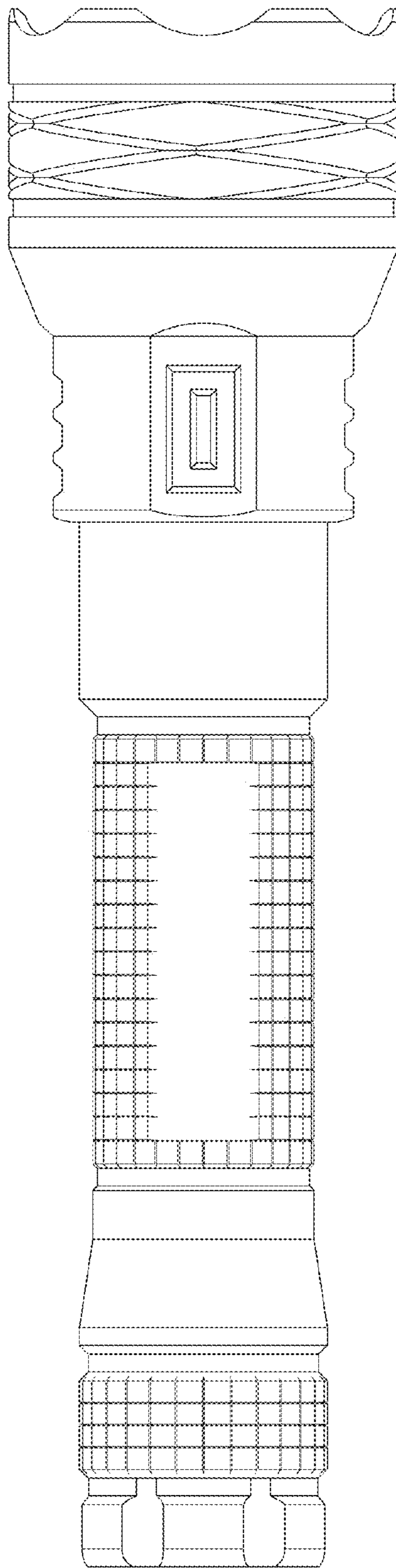


FIG.3

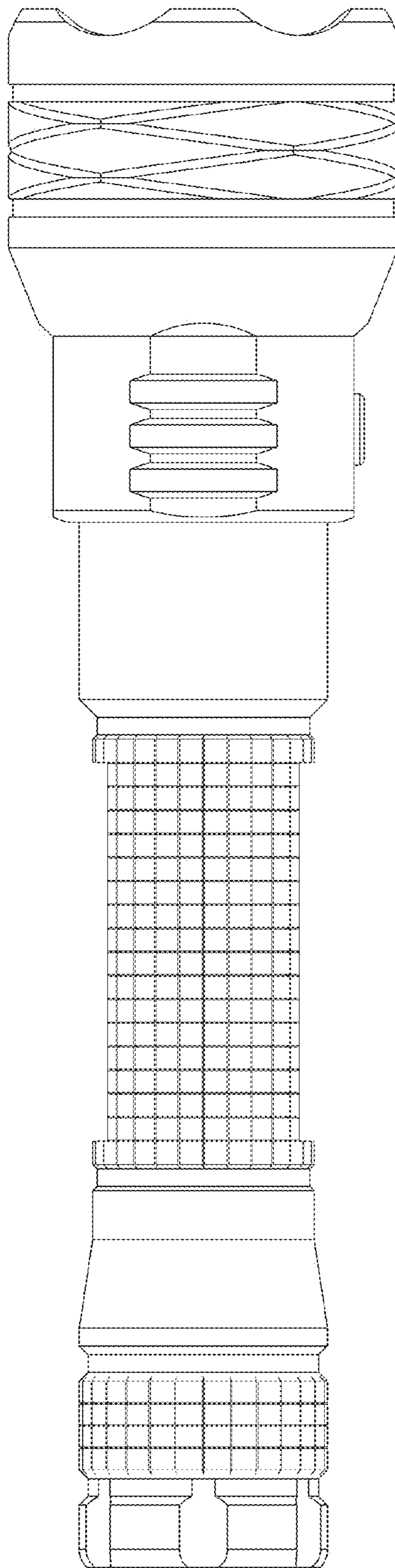


FIG.4

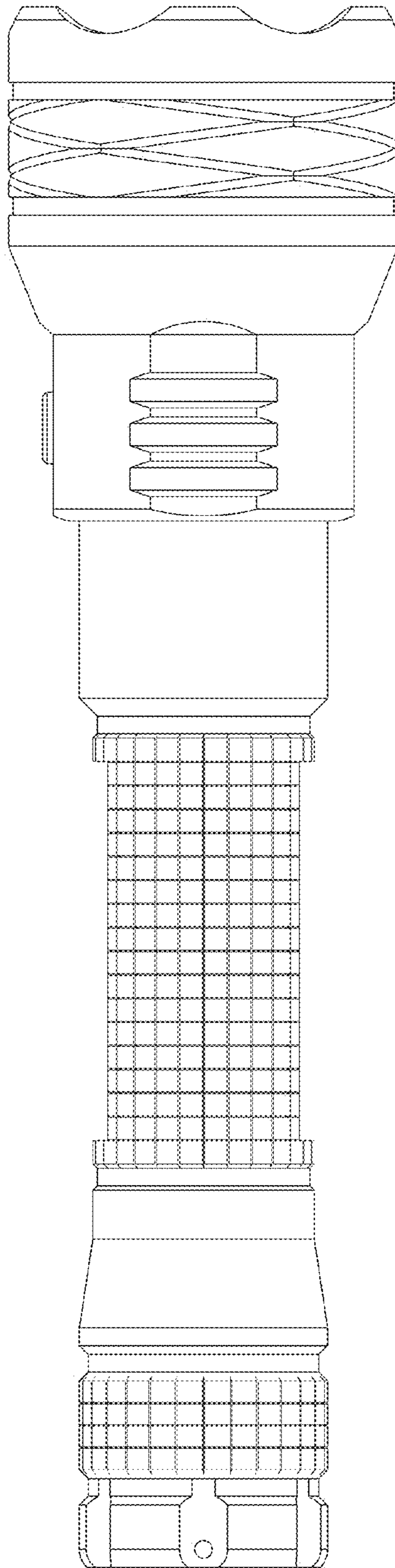


FIG.5

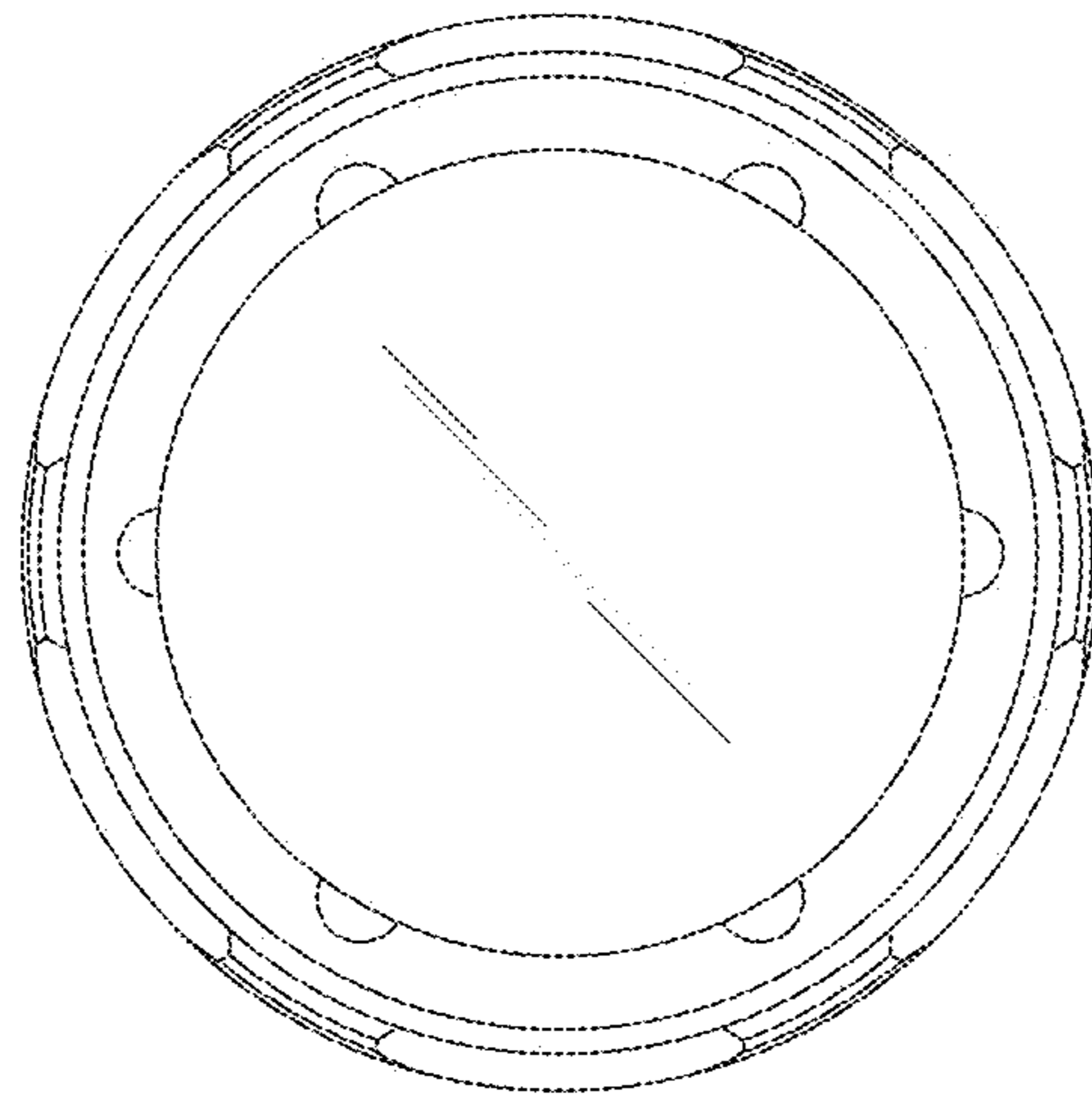


FIG. 6

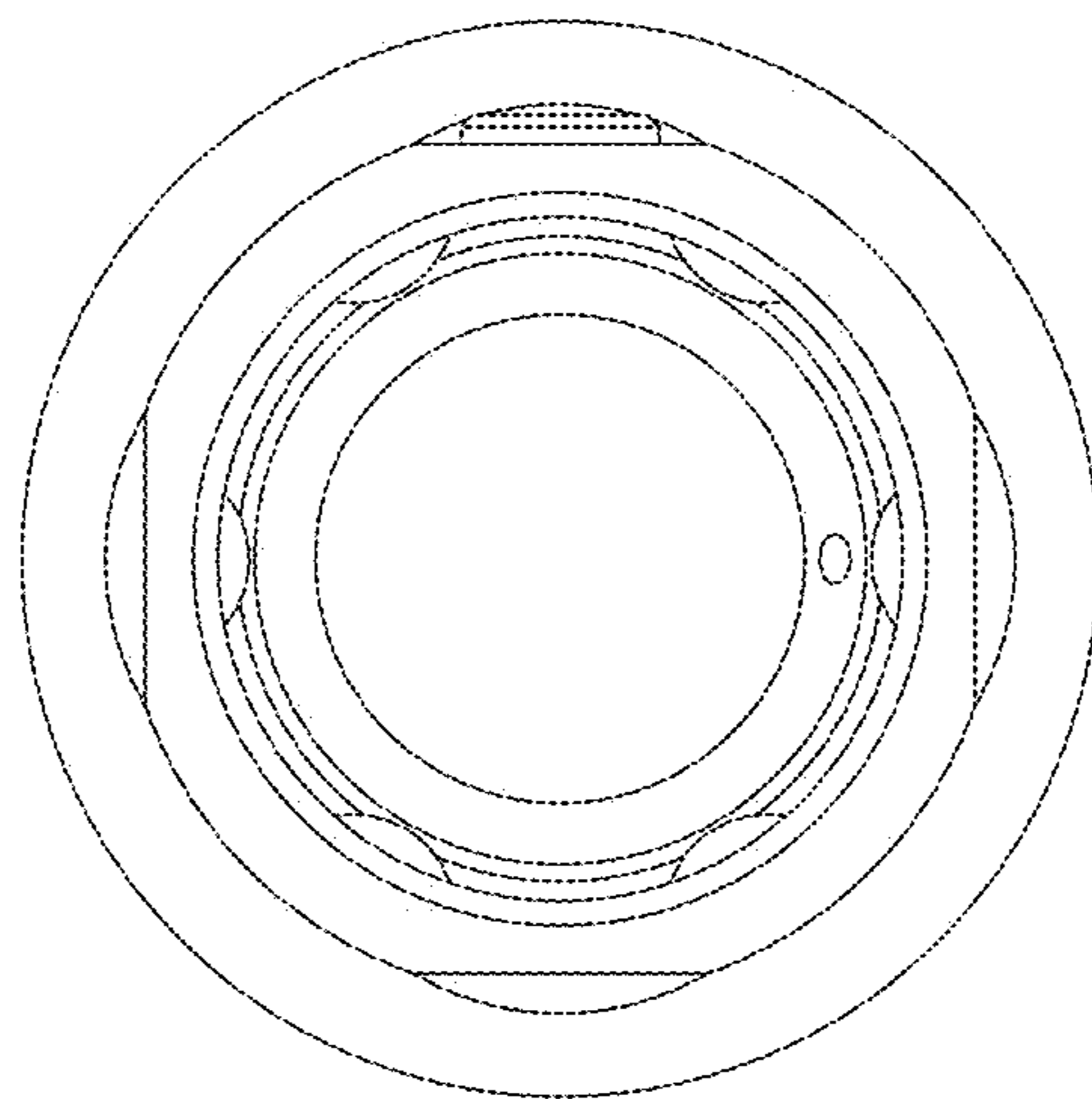


FIG. 7

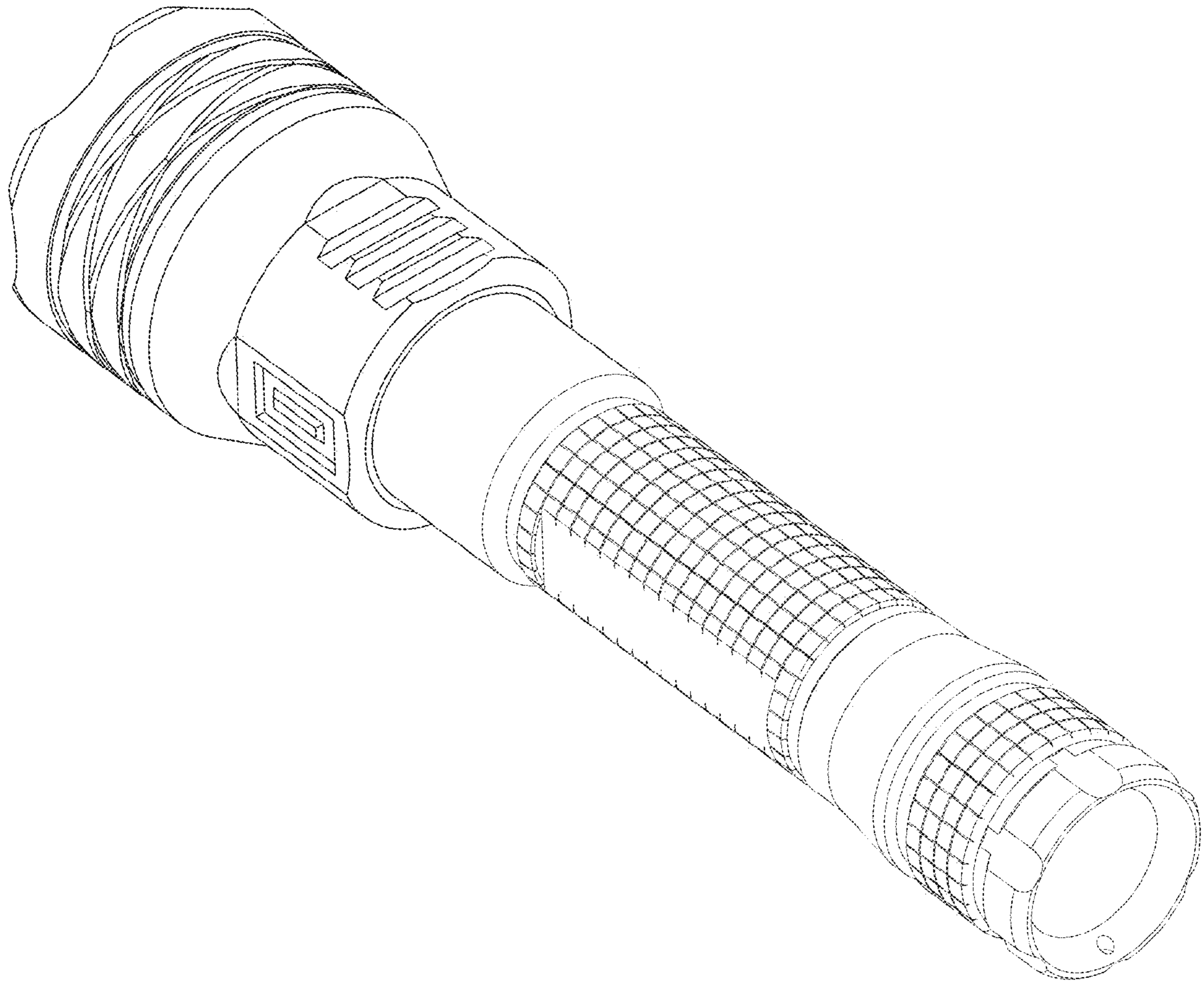


FIG.8