



US00D889007S

(12) **United States Design Patent** (10) **Patent No.:** **US D889,007 S**
Lim et al. (45) **Date of Patent:** **** Jun. 30, 2020**

(54) **REAR COMBINATION LAMP FOR AN AUTOMOBILE**
(71) Applicant: **Kia Motors Corporation**, Seoul (KR)
(72) Inventors: **Dae Hwan Lim**, Ansan-si (KR); **Byung Ho Kong**, Hwaseong-si (KR)
(73) Assignees: **Hyundai Motor Company**, Seoul (KR); **Kia Motors Corporation**, Seoul (KR)

D857,955 S * 8/2019 Han D26/28
D857,956 S * 8/2019 Han D26/28
D866,026 S * 11/2019 Hannemann D26/28
D868,320 S * 11/2019 Kong D26/28
D868,321 S * 11/2019 Kong D26/28
D869,717 S * 12/2019 Shim D26/36
D871,632 S * 12/2019 Kim D26/28
D873,457 S * 1/2020 Han D26/28
D874,032 S * 1/2020 Lin D26/28
D874,042 S * 1/2020 Lee D26/28
D876,685 S * 2/2020 Lin D26/28

* cited by examiner

(**) Term: **15 Years**

Primary Examiner — Natasha Vujcic

(21) Appl. No.: **35/506,904**

(74) *Attorney, Agent, or Firm* — Mintz Levin Cohn Ferris Glovsky and Popeo, P.C.; Peter F. Corless; Carolina E. Säve

(22) Filed: **Dec. 7, 2018**

(80) **Hague Agreement Data**

Int. Filing Date: **Dec. 7, 2018**
Int. Reg. No.: **DM/200316**
Int. Reg. Date: **Dec. 7, 2018**
Int. Reg. Pub. Date: **Jun. 14, 2019**

(57) **CLAIM**

The ornamental design for a rear combination lamp for an automobile, as shown and described.

(51) **LOC (12) Cl.** **26-06**

(52) **U.S. Cl.**
USPC **D26/28**

DESCRIPTION

(58) **Field of Classification Search**
USPC D26/28
CPC F21S 48/00; F21S 48/10; F21S 48/115; F21S 48/225; F21S 48/1233; F21S 48/1266; F21S 48/1388; F21S 48/2266; F21V 21/04; B60Q 1/30; B60Q 1/2607; B60Q 1/2696; B62J 6/00; B62J 6/04
See application file for complete search history.

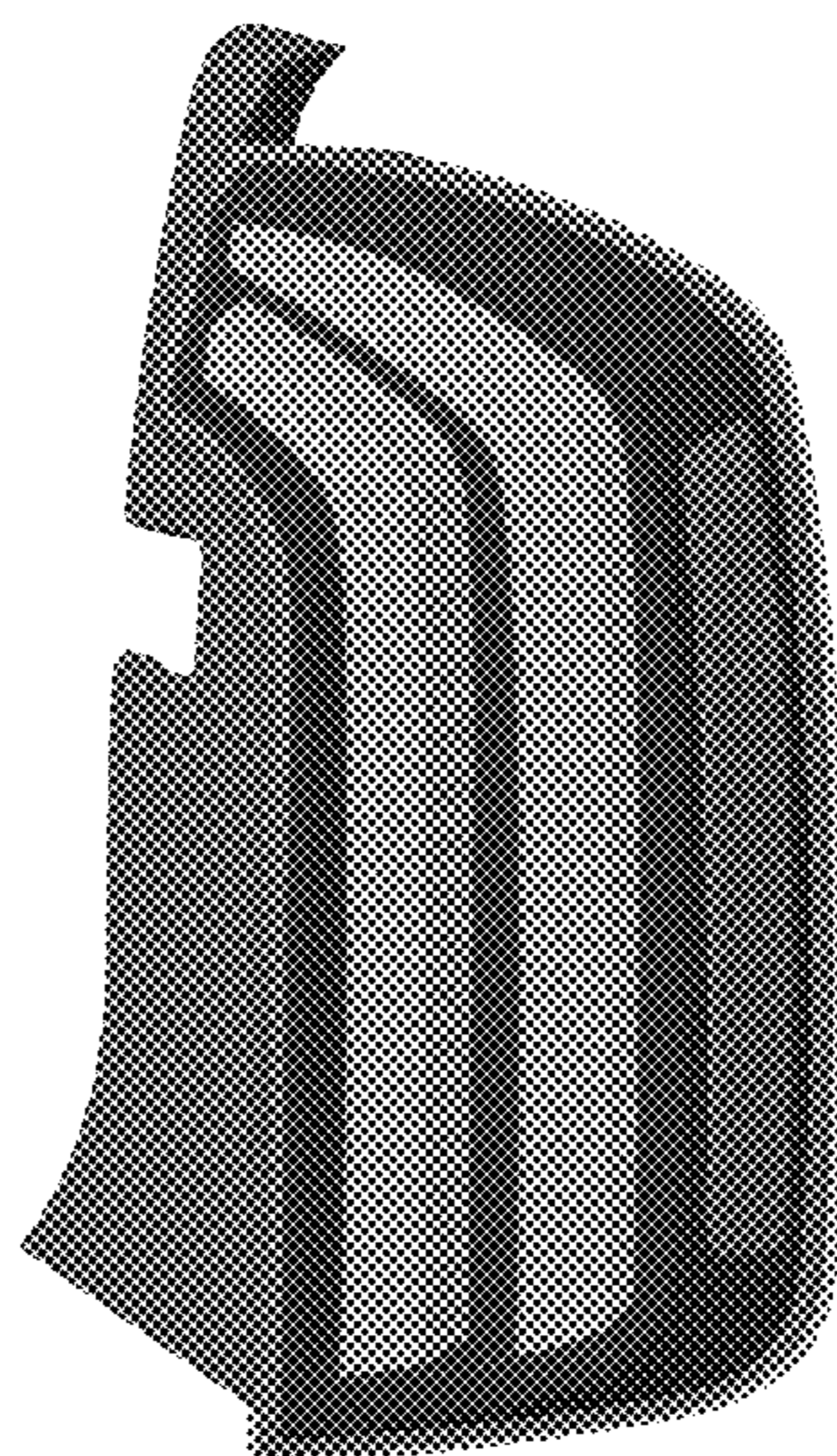
- 1. Rear combination lamp for an automobile
- 1.1 is a front view.
- 1.2 is a front perspective view.
- 1.3 is a rear view.
- 1.4 is a top view.
- 1.5 is a bottom view.
- 1.6 is a right side view.
- 1.7 is a left side view.

(56) **References Cited**

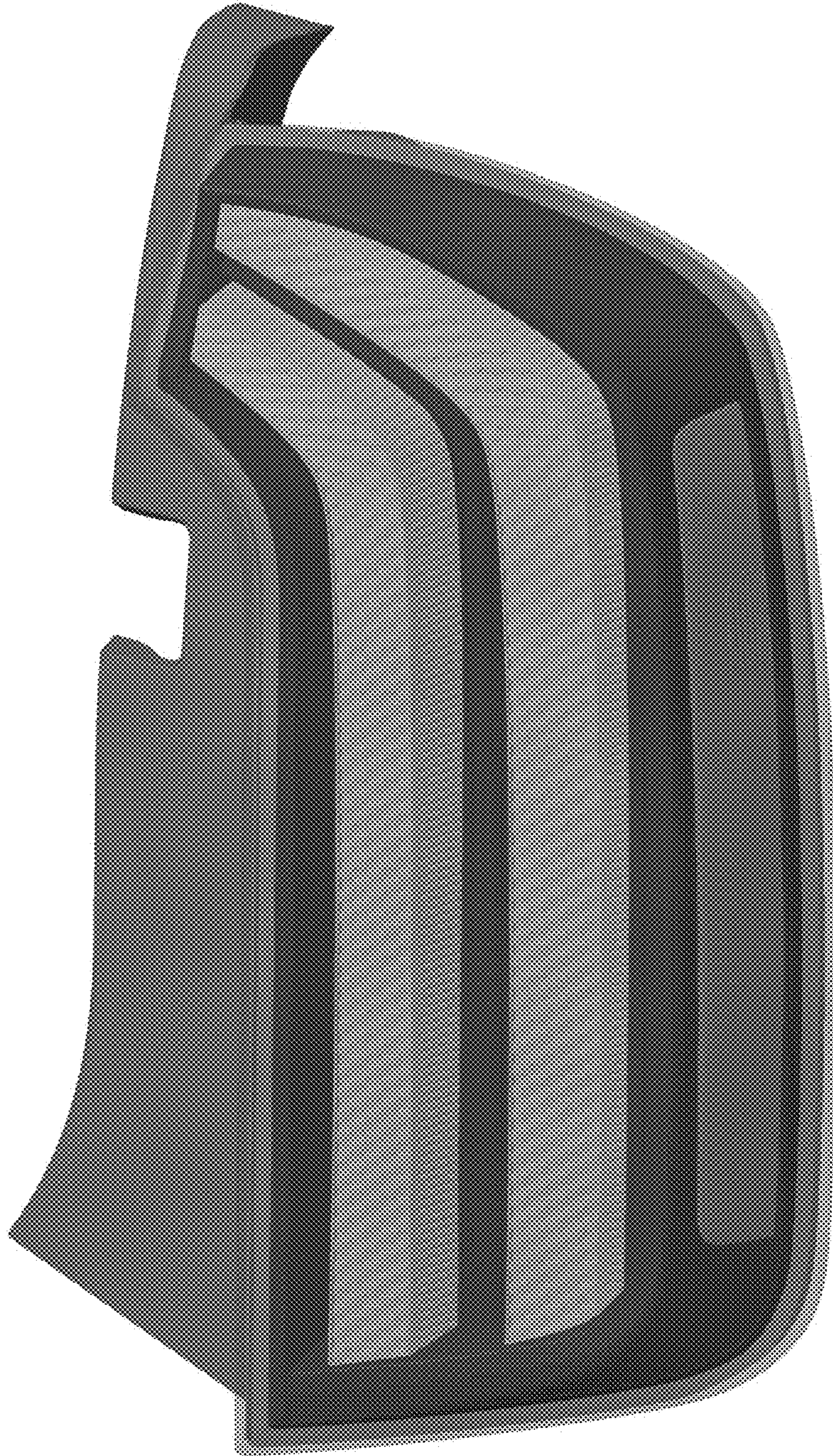
U.S. PATENT DOCUMENTS

D412,214 S * 7/1999 Hejtmanek D26/28
D755,420 S * 5/2016 Ko D26/28
D774,221 S * 12/2016 Lim D26/28
D776,313 S * 1/2017 Han D26/28

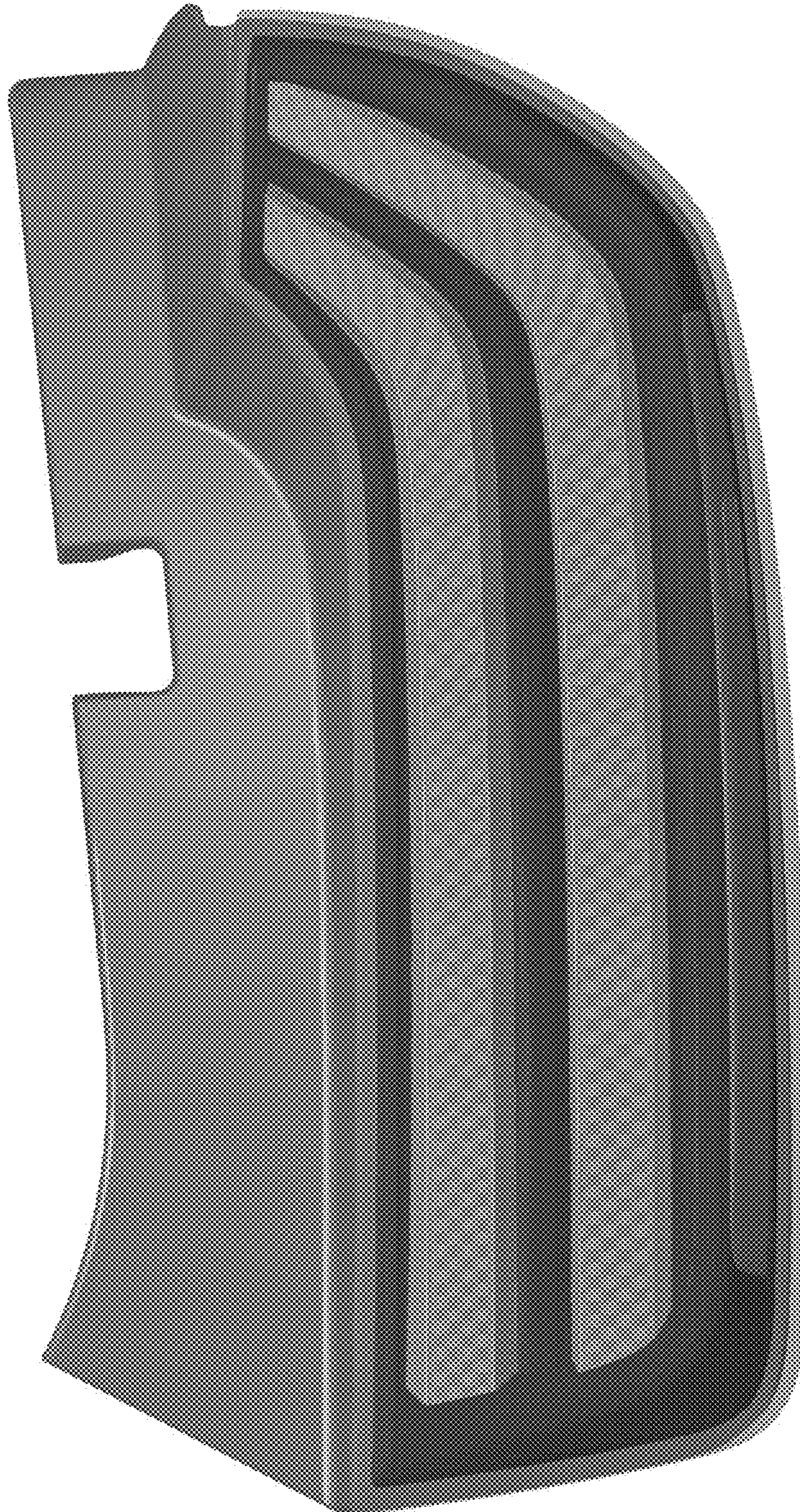
1 Claim, 7 Drawing Sheets



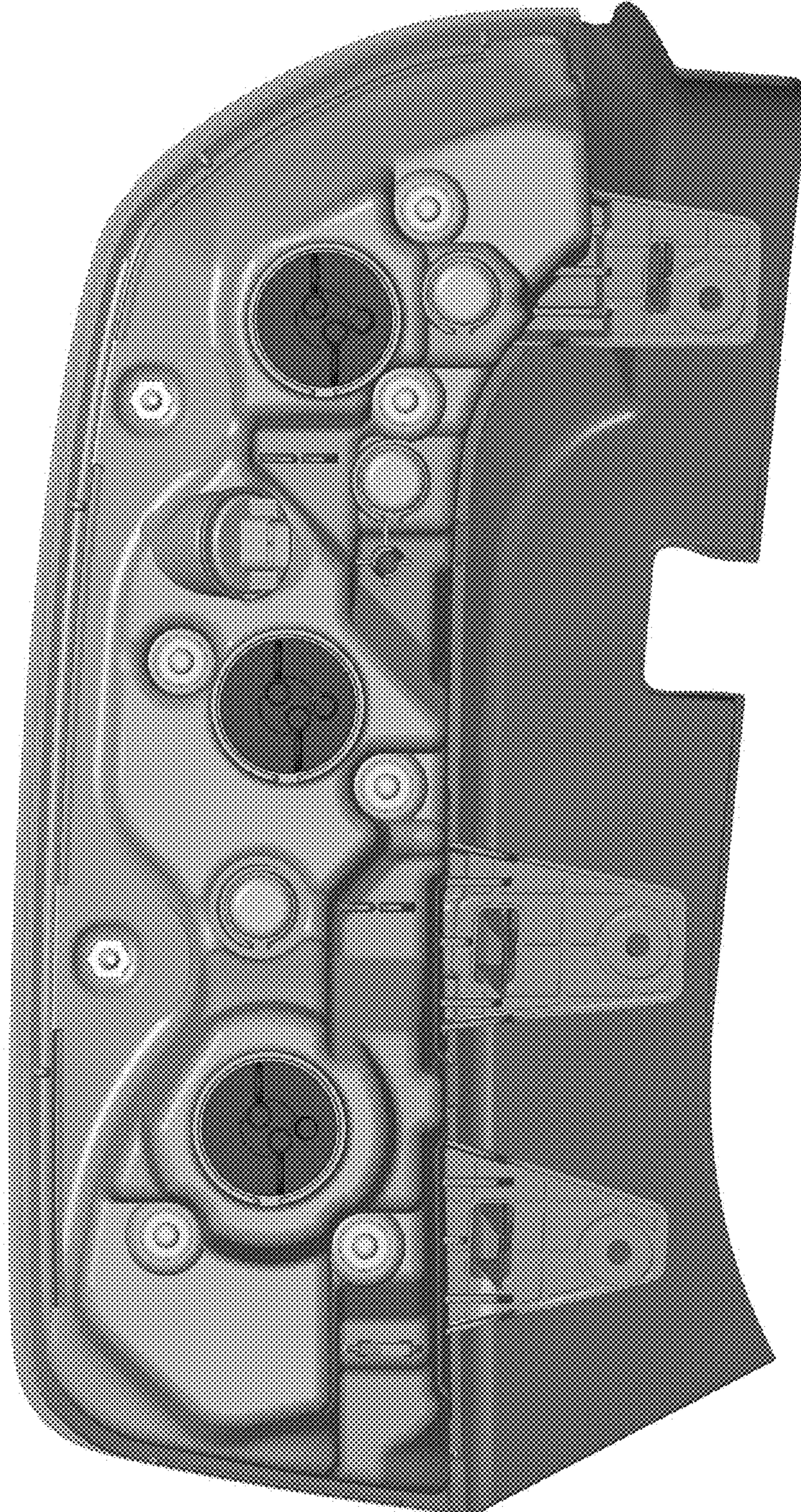
1.1



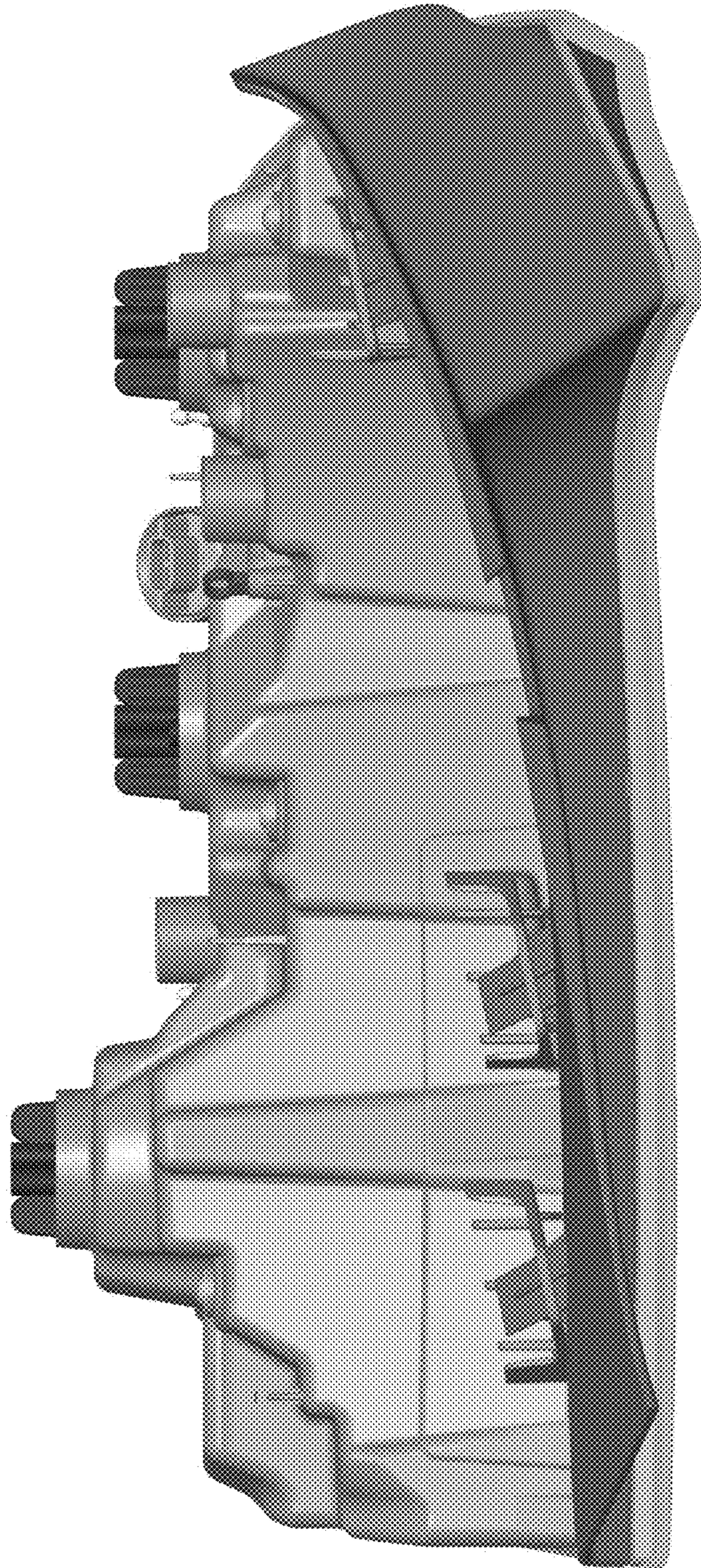
1.2



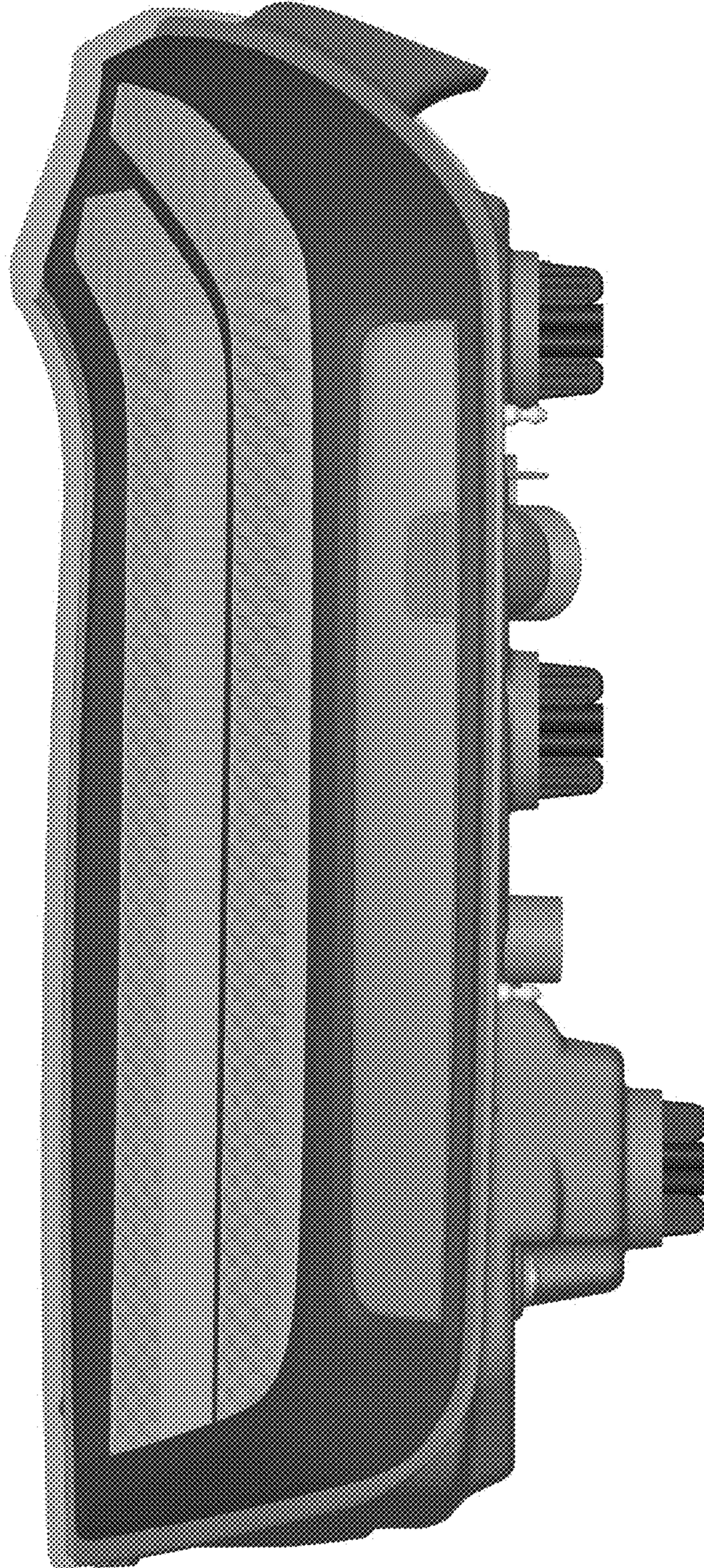
1.3



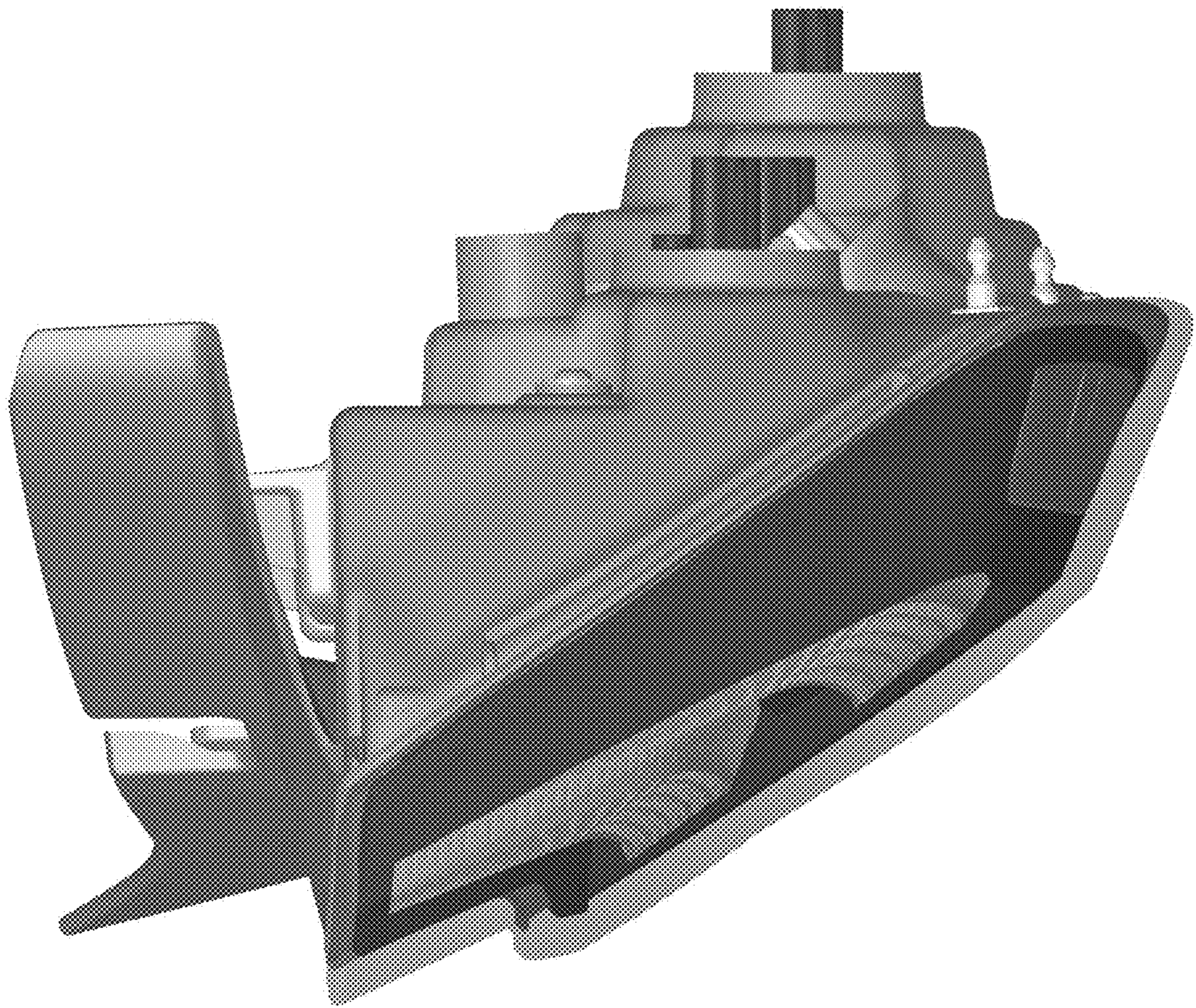
1.4



1.5



1.6



1.7

