

US00D889004S

(12) **United States Design Patent** (10) **Patent No.:** **US D889,004 S**
Lin (45) **Date of Patent:** **** Jun. 30, 2020**

(54) **AUTOMOBILE HEADLIGHT LENS**
(71) Applicant: **Chi-Chung Lin**, Hsinchu (TW)
(72) Inventor: **Chi-Chung Lin**, Hsinchu (TW)
(**) Term: **15 Years**
(21) Appl. No.: **29/717,124**
(22) Filed: **Dec. 15, 2019**
(51) **LOC (12) Cl.** **26-06**
(52) **U.S. Cl.**
USPC **D26/28**
(58) **Field of Classification Search**
USPC D26/28-36; 362/459-468, 475-478,
362/485-487
CPC F21S 48/00; F21S 48/10; F21S 48/115;
F21S 48/225; F21S 48/1233; F21S
48/1266; F21S 48/1388; F21S 48/2268;
F21V 21/04
See application file for complete search history.

(56) **References Cited**
U.S. PATENT DOCUMENTS
D526,429 S * 8/2006 Hovind D26/28
D552,772 S * 10/2007 Davidson D26/28
D586,011 S * 2/2009 Pfeiffer D26/28
D704,872 S * 5/2014 Binder D26/28
D778,469 S * 2/2017 Ito D26/28
D778,470 S * 2/2017 Ito D26/28
D778,489 S 2/2017 Wheel
D796,092 S 8/2017 Ito et al.
D806,288 S * 12/2017 Bucher D26/28

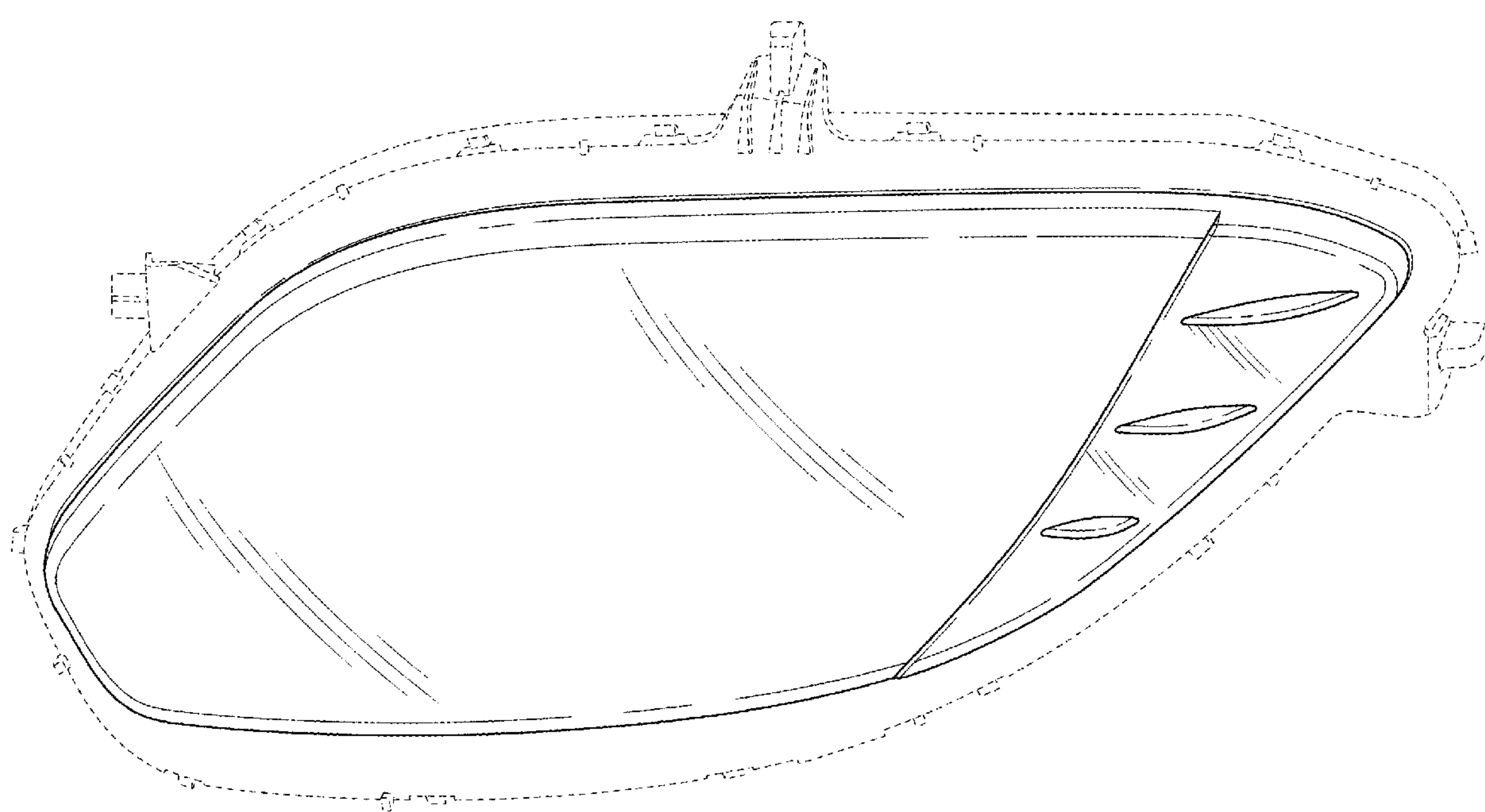
D811,650 S 2/2018 Bucher et al.
D825,798 S * 8/2018 Gueler D26/28
D826,437 S 8/2018 Ito et al.
D837,426 S * 1/2019 Patel D26/28
D837,444 S 1/2019 Thomas
D844,196 S * 3/2019 Lin D26/28
D851,305 S * 6/2019 Lai D26/28
D851,792 S * 6/2019 Tang D26/28
D855,874 S 8/2019 Lai
D859,703 S * 9/2019 Lai D26/28
D861,236 S 9/2019 Lai
D863,663 S 10/2019 Lin
D868,368 S 11/2019 Franzone et al.

* cited by examiner
Primary Examiner — Angela J Lee
(74) *Attorney, Agent, or Firm* — Alexander Chen, Esq.

(57) **CLAIM**
The ornamental design for an automobile headlight lens, as shown and described.

DESCRIPTION
FIG. 1 is a front view of an automobile headlight lens;
FIG. 2 is a perspective left view thereof;
FIG. 3 is a back view thereof;
FIG. 4 is a side view thereof;
FIG. 5 is a top view thereof; and,
FIG. 6 is a bottom view thereof.
The broken lines are included to show environmental structure and form no part of the claimed design.
The drawings and descriptions represent the left side embodiment. The claim is also for a mirror image right side embodiment.

1 Claim, 6 Drawing Sheets



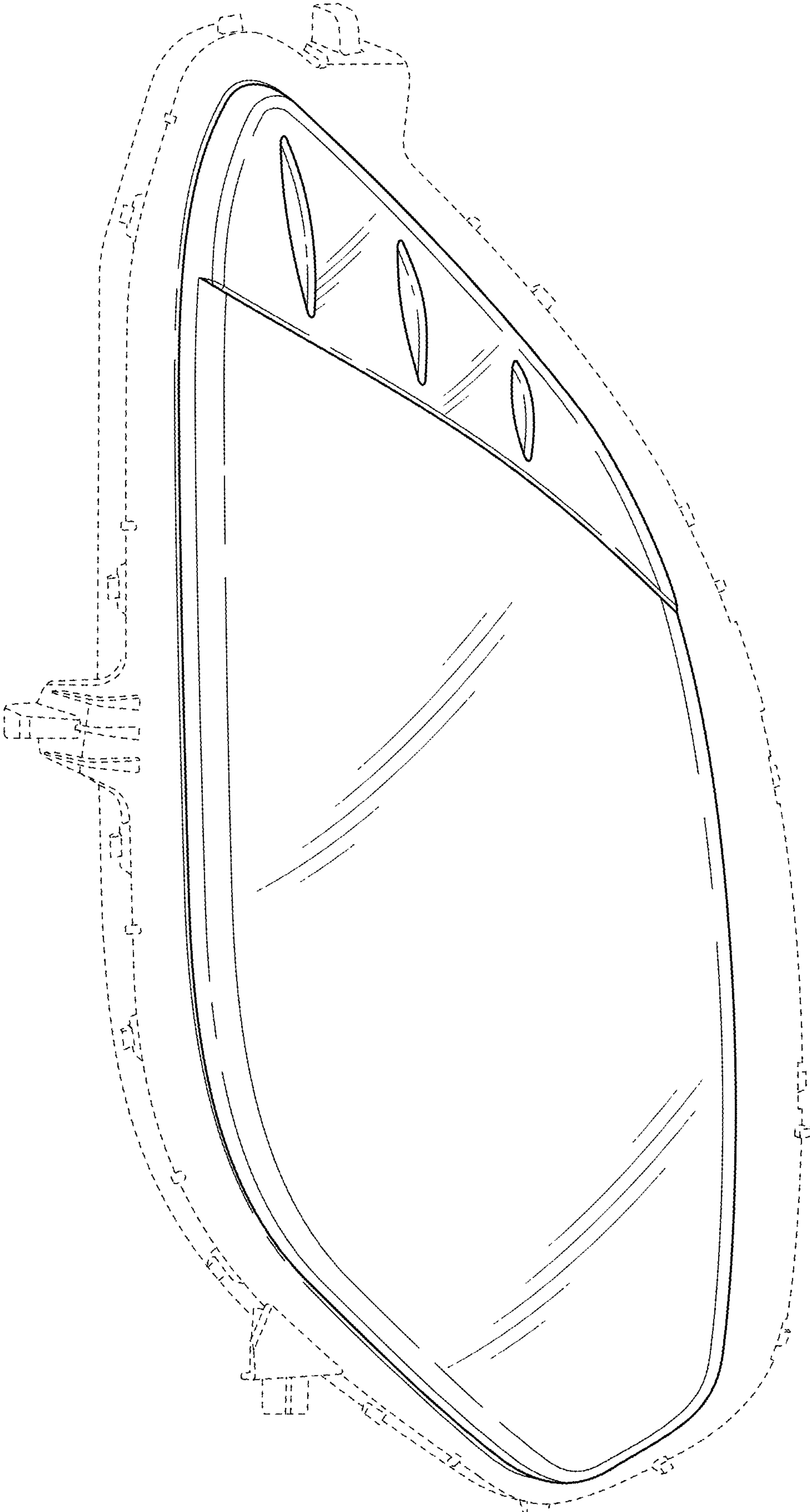


FIG. 1

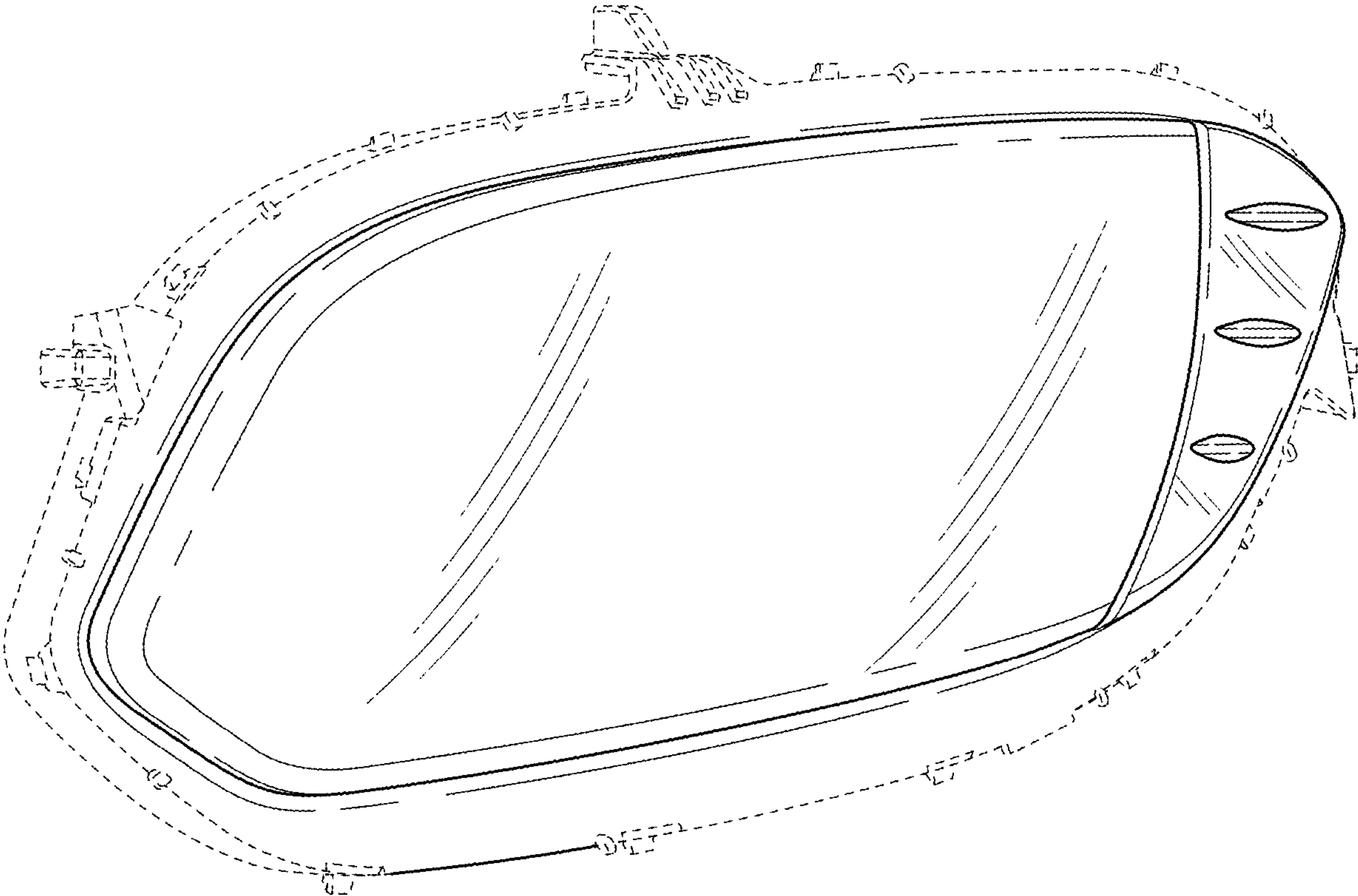


FIG. 2

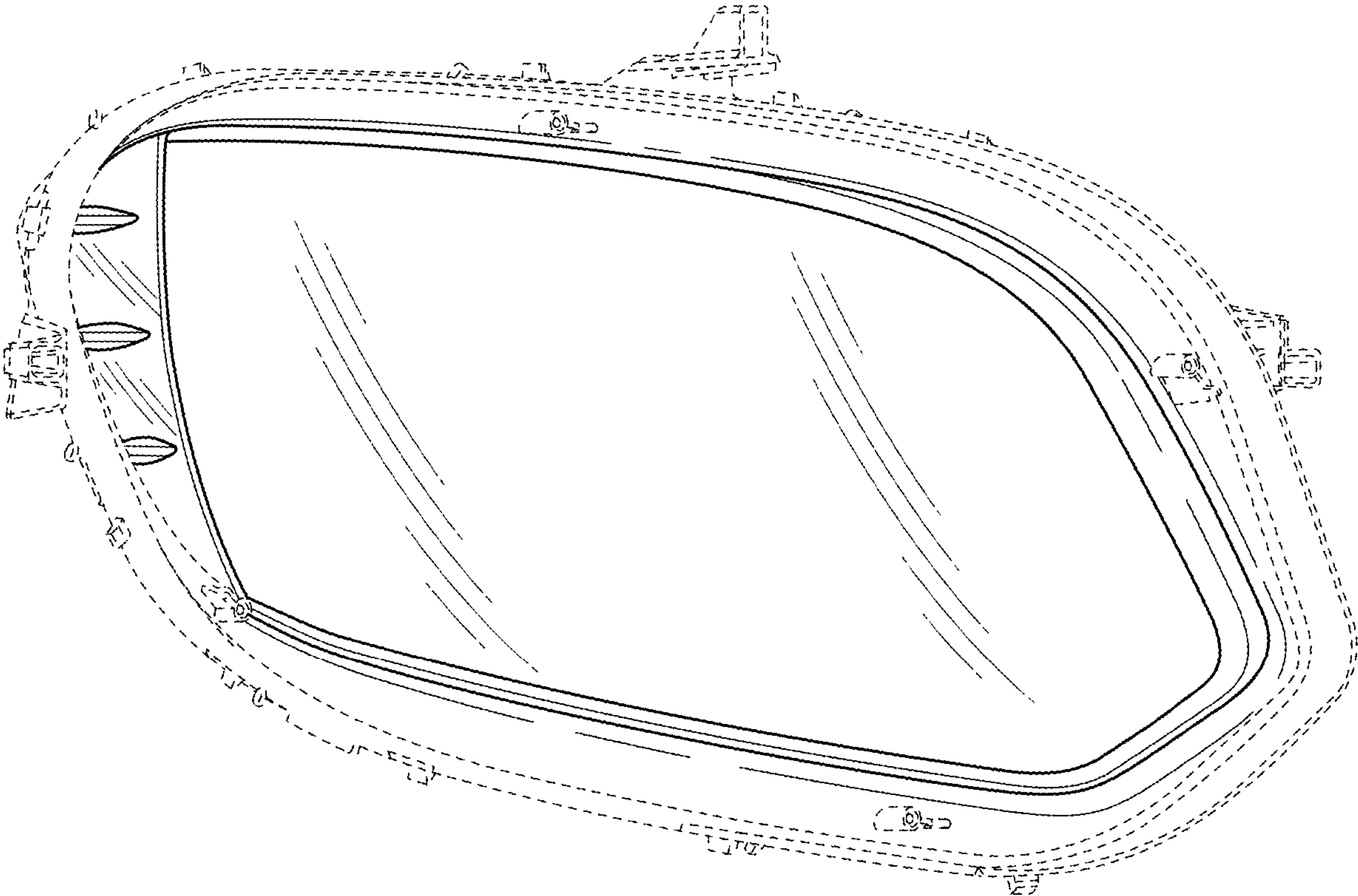


FIG. 3

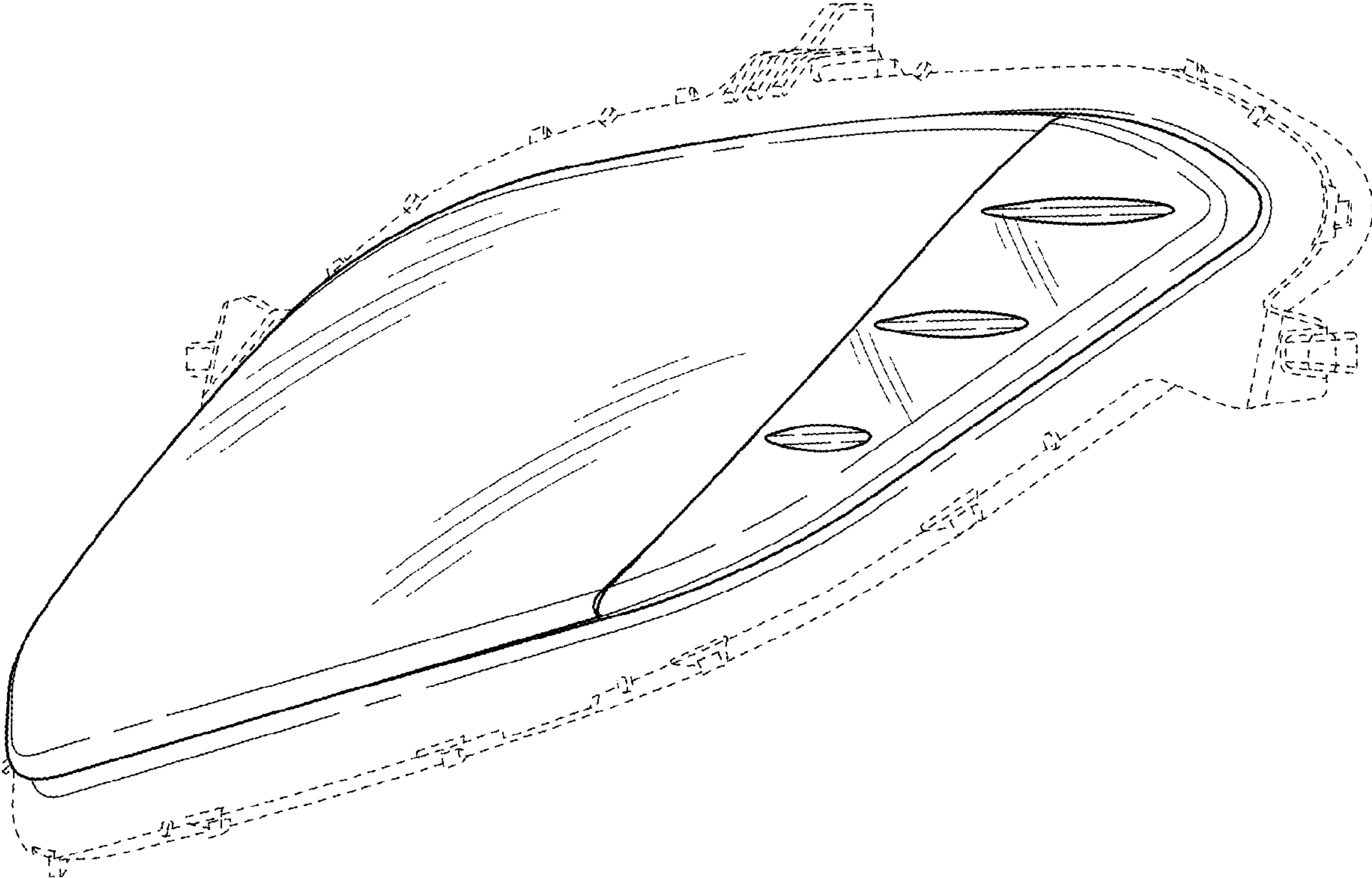


FIG. 4

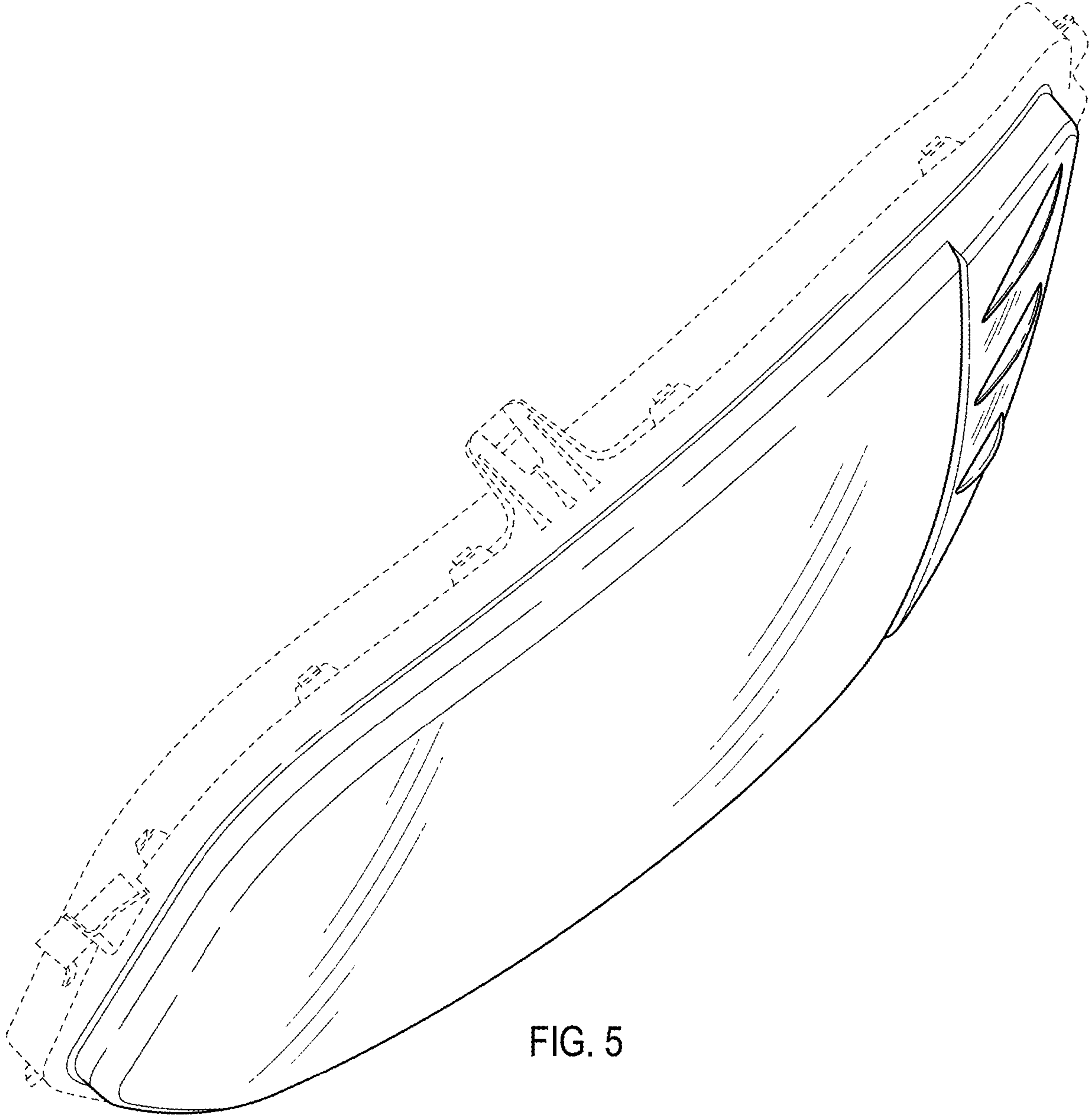


FIG. 5

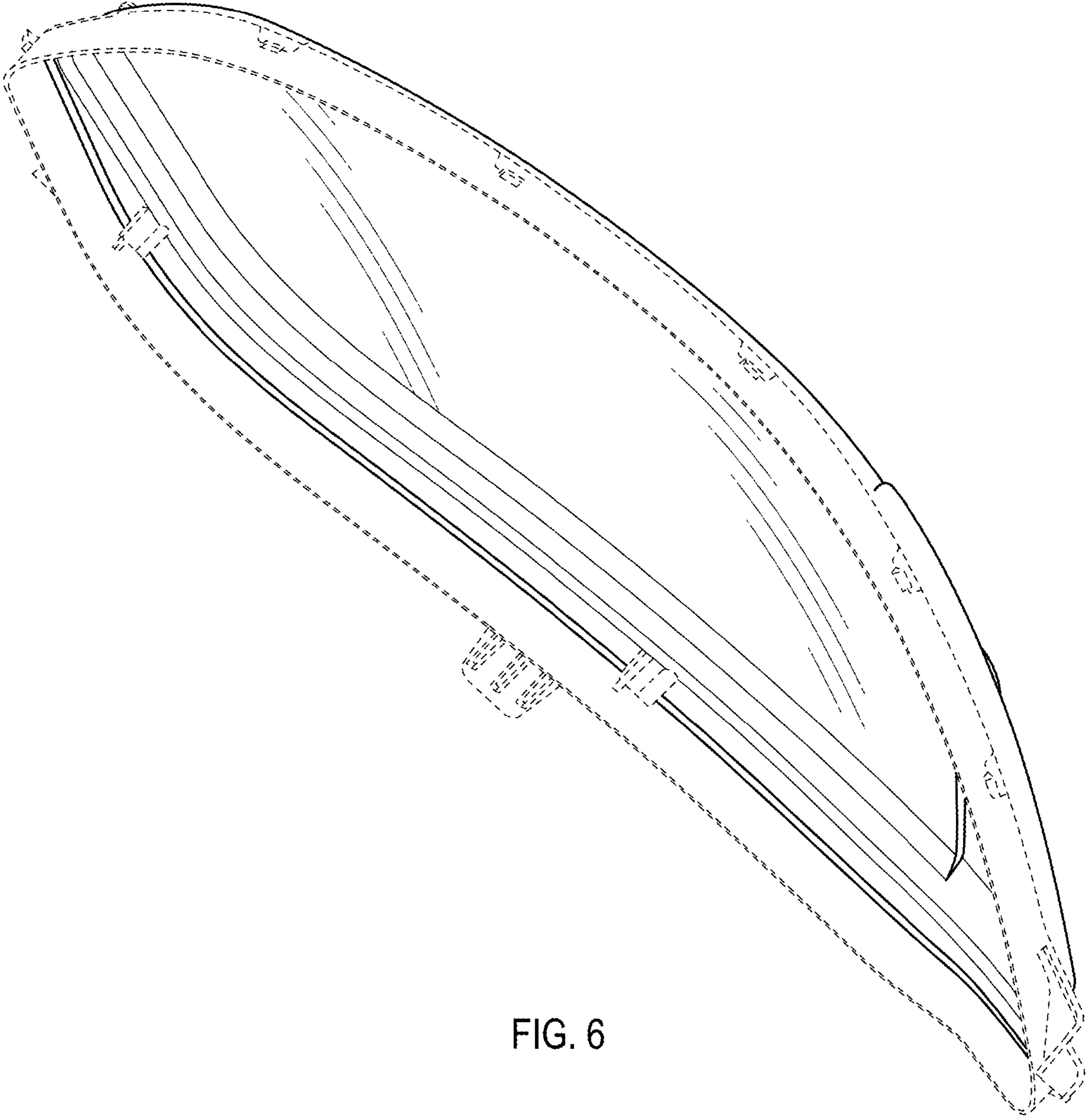


FIG. 6