



US00D889001S

(12) **United States Design Patent**  
**He**

(10) **Patent No.:** **US D889,001 S**

(45) **Date of Patent:** **\*\* Jun. 30, 2020**

(54) **EXTERIOR SURFACE CONFIGURATION OF A HEADLIGHT FOR A VEHICLE**

D809,682 S \* 2/2018 Lin ..... D26/28  
D819,849 S \* 6/2018 Lin ..... D26/28  
D820,487 S \* 6/2018 Lai ..... D26/28

(71) Applicant: **Arex Industries, Inc.**, Irwindale, CA (US)

\* cited by examiner

(72) Inventor: **Mizeng He**, TaiZhou (CN)

*Primary Examiner* — Marcus A Jackson

(\*\*) Term: **15 Years**

(74) *Attorney, Agent, or Firm* — Theodore S. Lee, Esq.

(21) Appl. No.: **29/683,288**

(22) Filed: **Mar. 12, 2019**

(51) **LOC (12) Cl.** ..... **26-06**

(52) **U.S. Cl.**  
USPC ..... **D26/28**

(58) **Field of Classification Search**  
USPC ..... D26/28–36, 139  
CPC ..... F21S 48/00; F21S 48/10; F21S 48/115;  
F21S 48/225; F21S 48/1233; F21S 48/1266; F21S 48/1388; F21S 48/2268;  
F21V 21/04; F21V 29/004; B60Q 9/13;  
B60Q 9/135; B60Q 9/1375  
See application file for complete search history.

(56) **References Cited**

U.S. PATENT DOCUMENTS

D745,726 S \* 12/2015 McMahan ..... D26/28  
D787,727 S \* 5/2017 Lai ..... D26/28  
D797,324 S \* 9/2017 Lai ..... D26/28  
D797,332 S \* 9/2017 Lin ..... D26/28  
D802,812 S \* 11/2017 Lai ..... D26/28

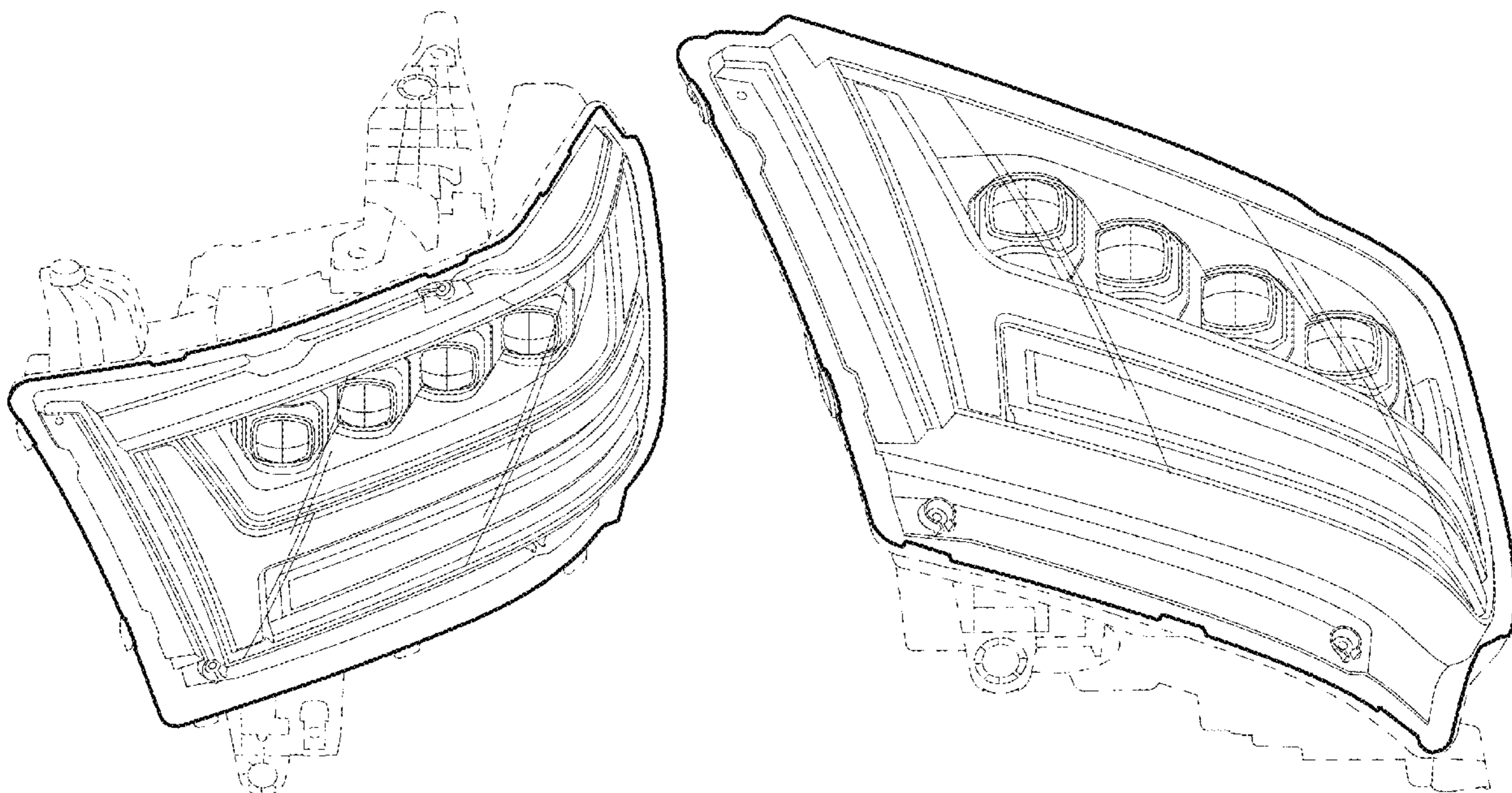
(57) **CLAIM**

The ornamental design for an exterior surface configuration of a headlight for a vehicle, as shown and described.

**DESCRIPTION**

FIG. 1 is a perspective view of an exterior surface configuration of a headlight for a vehicle according to the novel design;  
FIG. 2 is left side view thereof;  
FIG. 3 is a front view thereof;  
FIG. 4 is a right side view thereof;  
FIG. 5 is a back side view thereof;  
FIG. 6 is an alternative perspective view thereof; and,  
FIG. 7 is a top view thereof.  
The broken lines are for environmental purposes only and form no part of the claimed design. The design shown is not to be limited to any particular size and may be scaled larger or smaller. The drawings and descriptions represent the right side embodiment. The claim is also for a mirror image of a left side embodiment that is not shown.

**1 Claim, 7 Drawing Sheets**



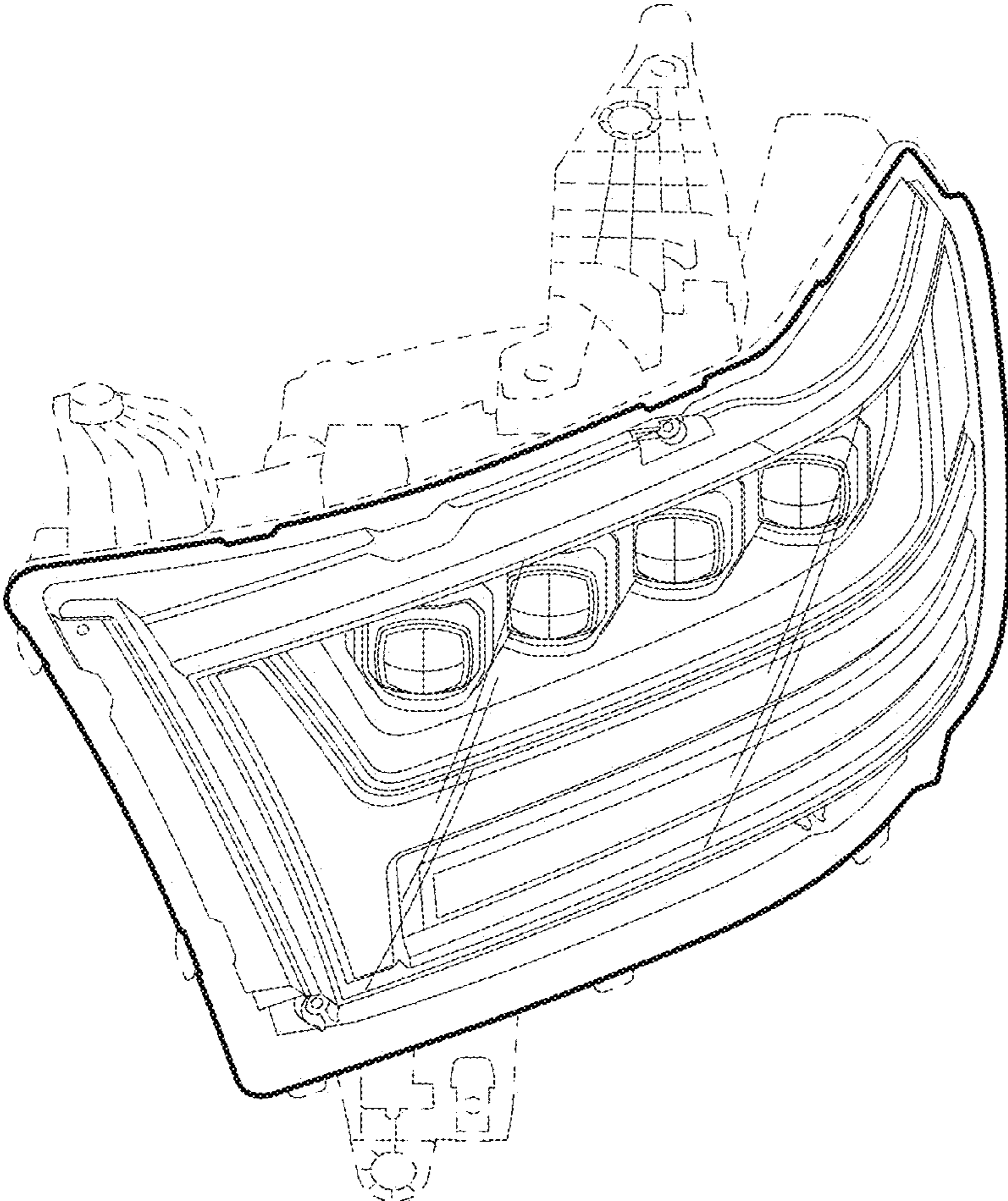


FIG. 1

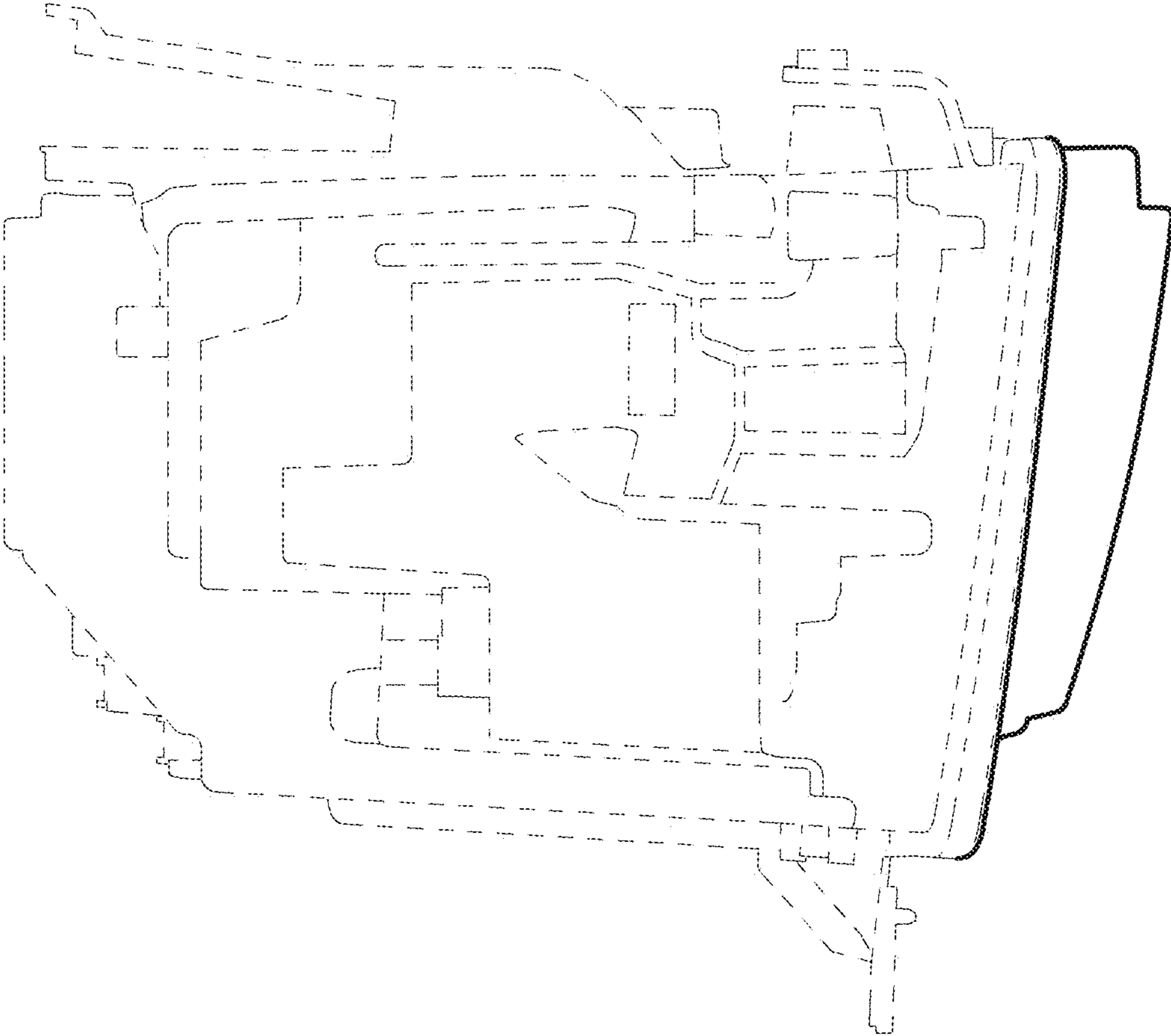


FIG. 2

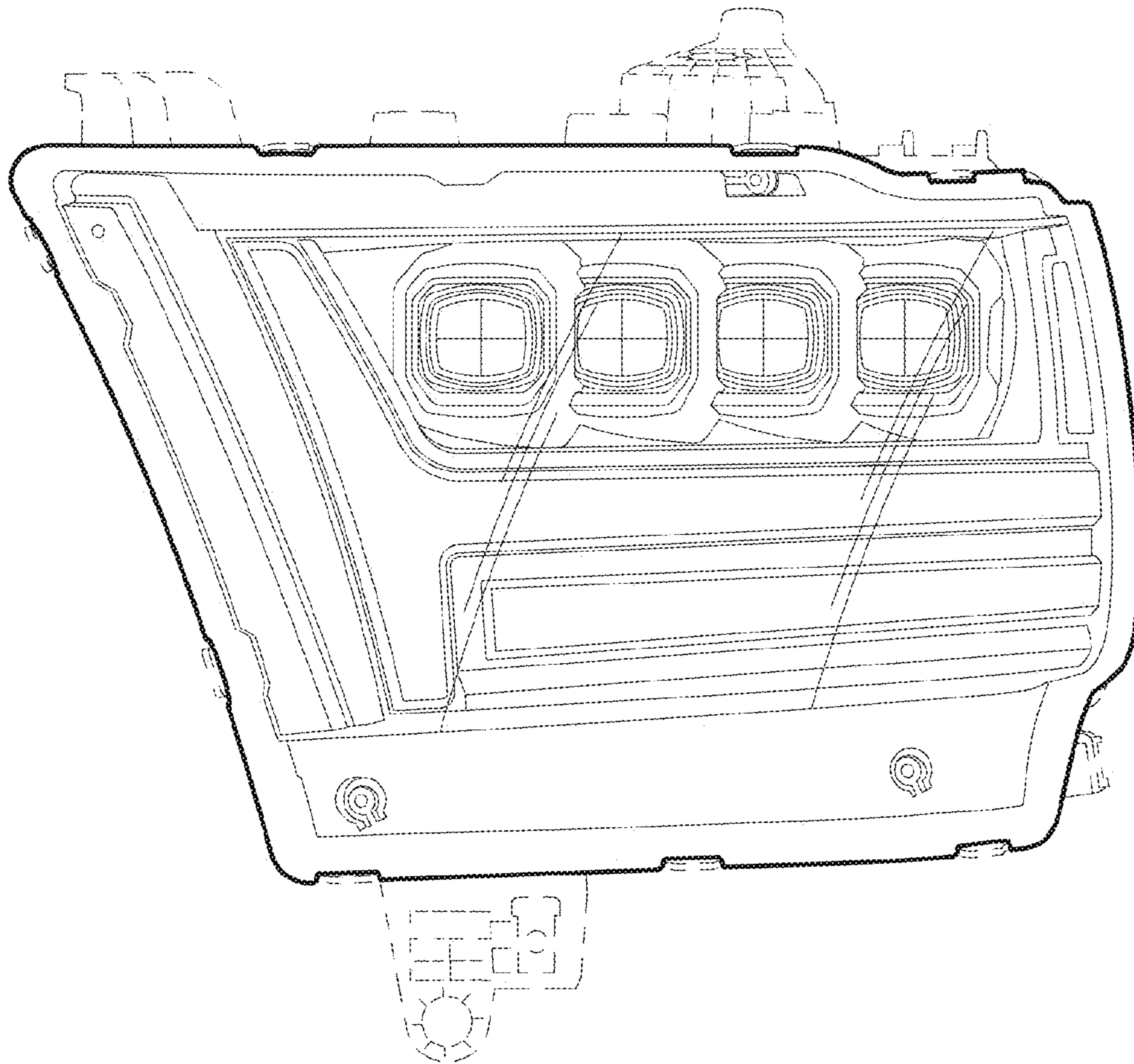


FIG. 3

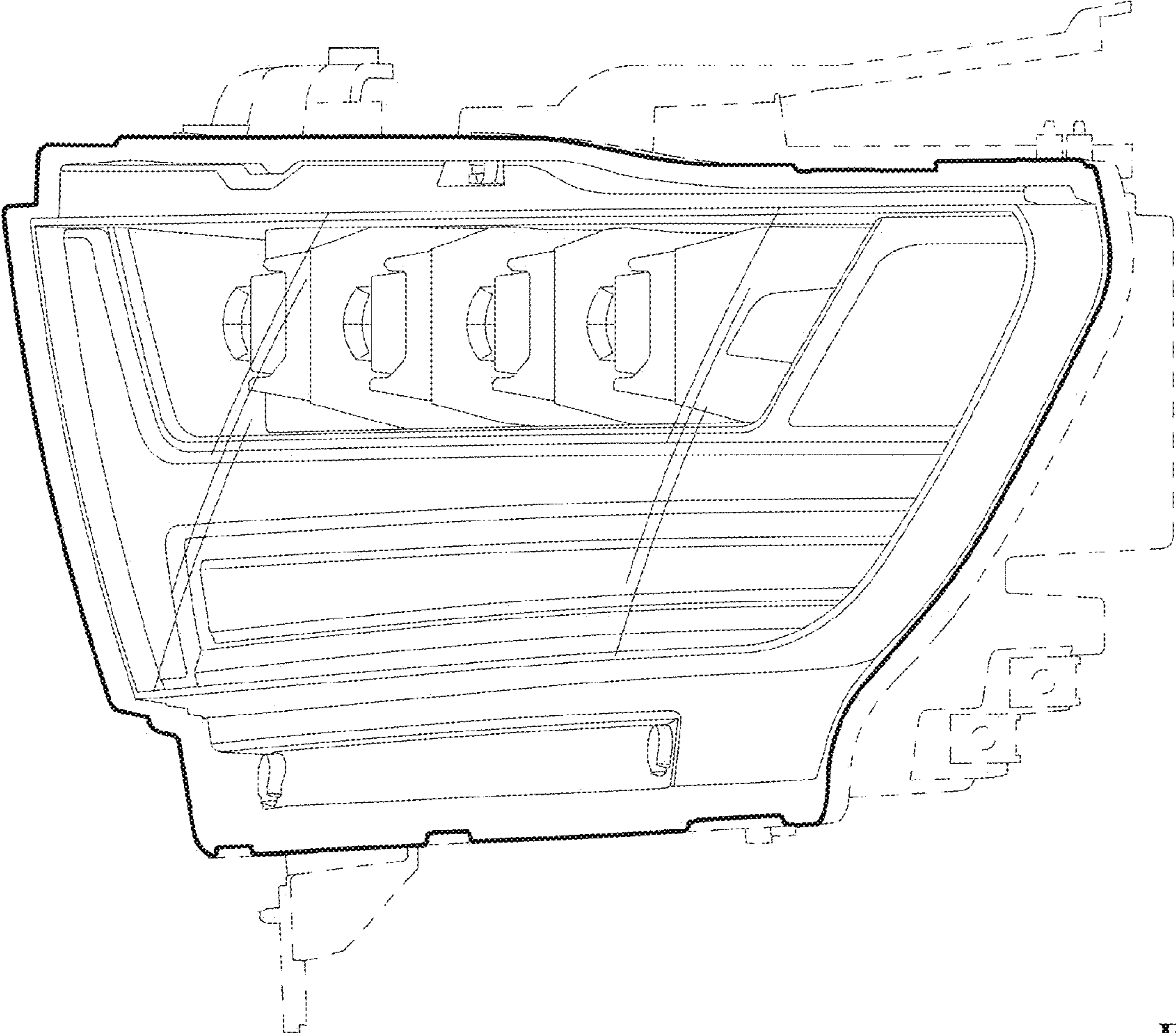


FIG. 4

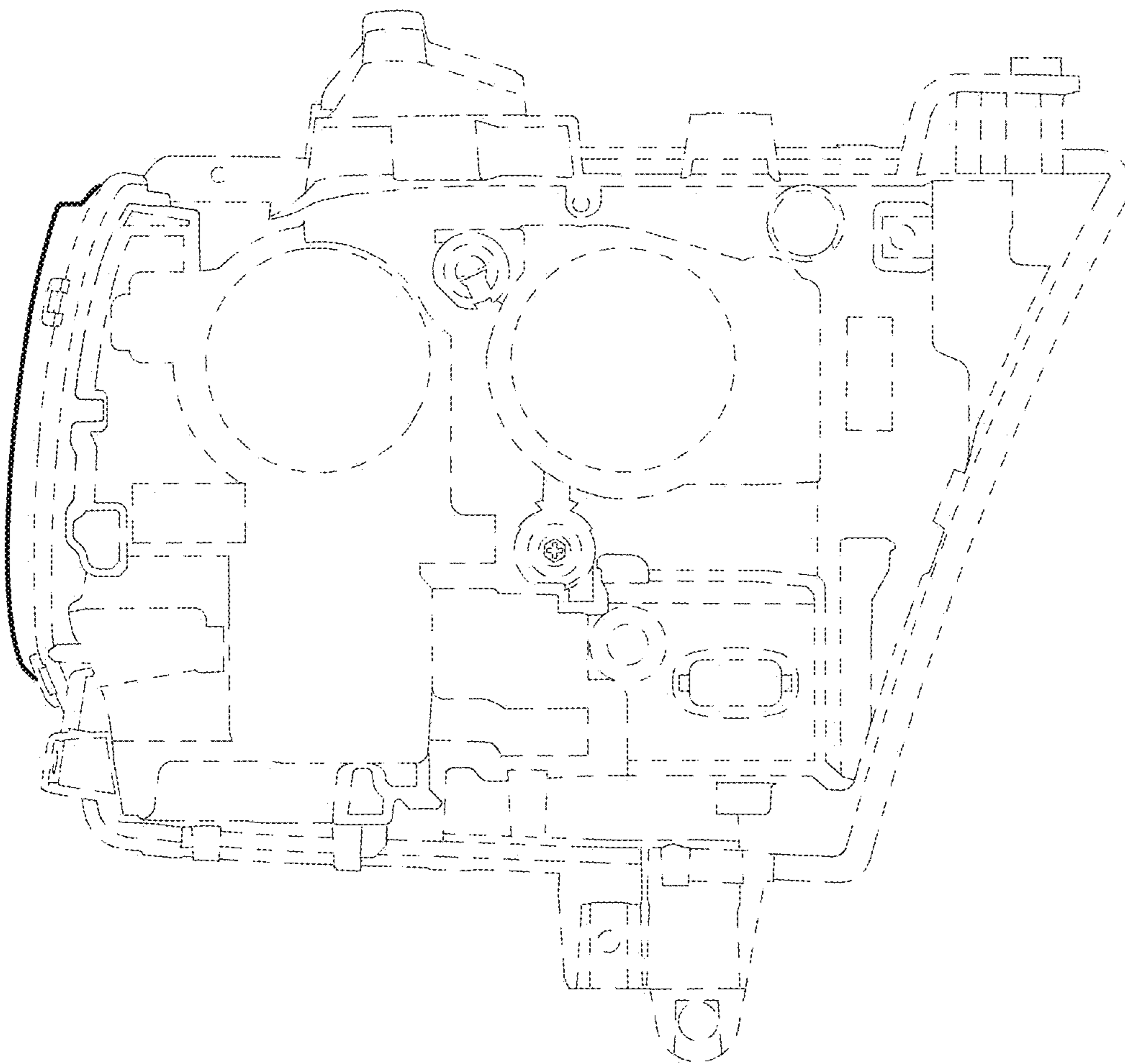


FIG. 5

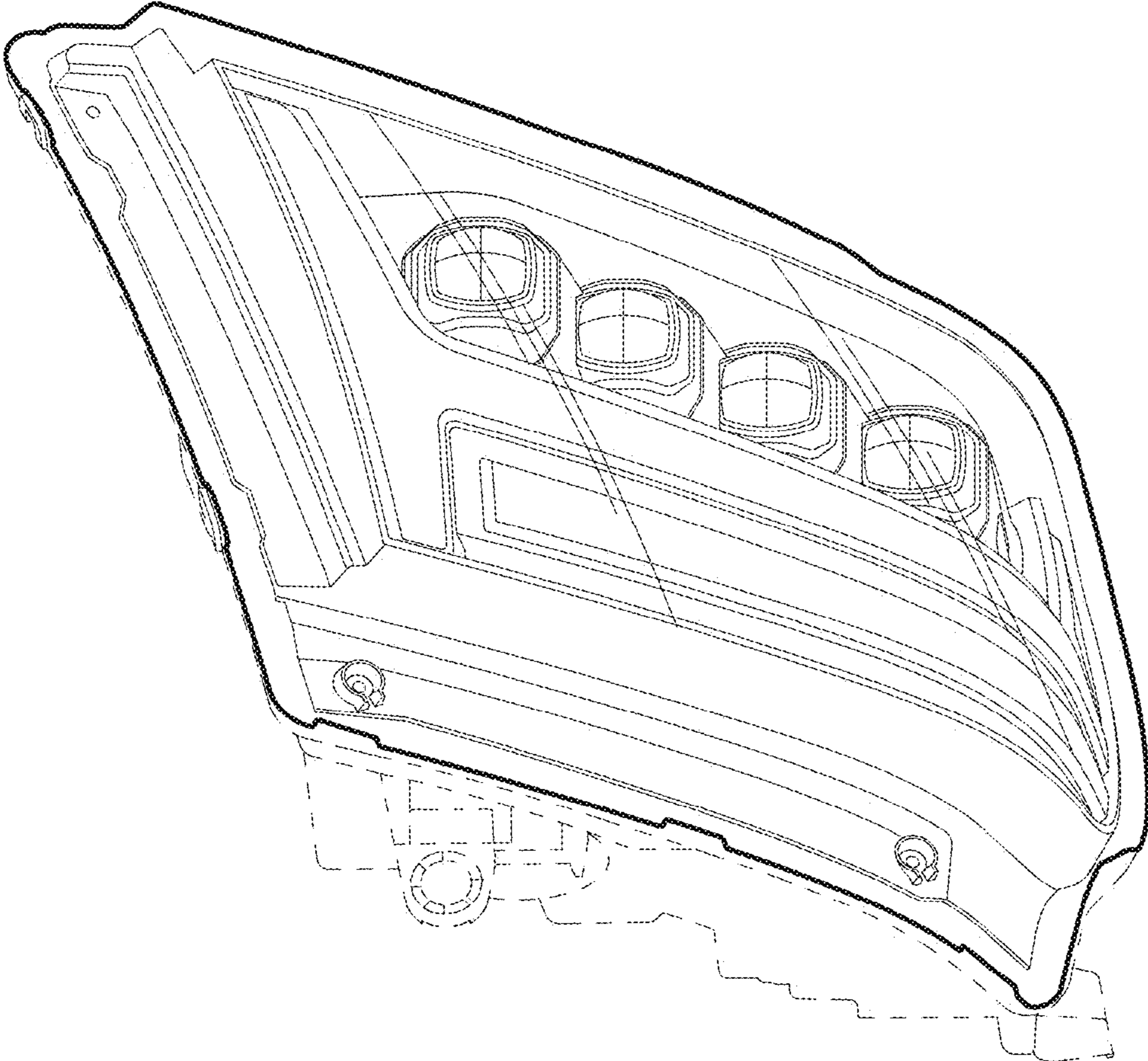


FIG. 6

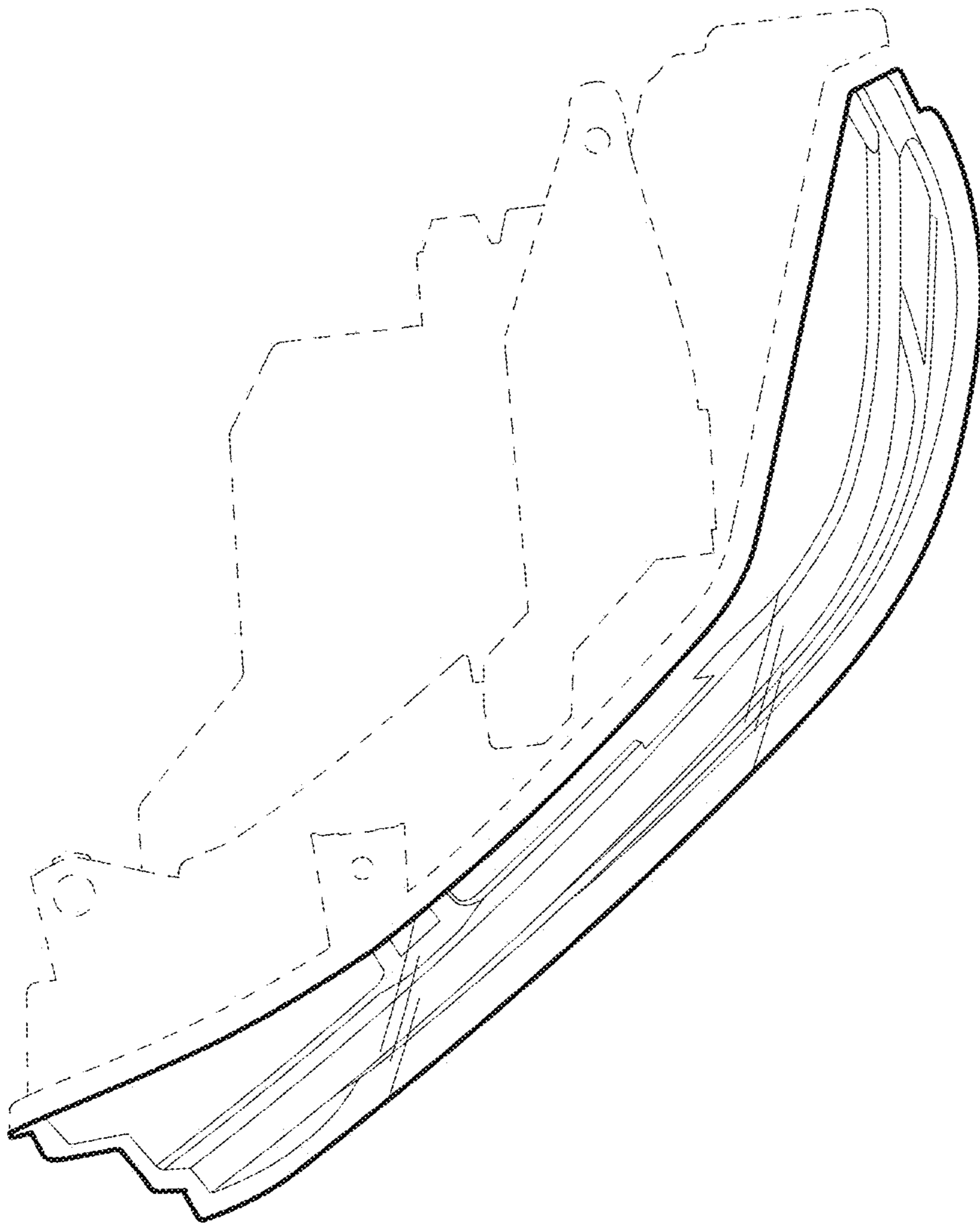


FIG. 7