



US00D888996S

(12) **United States Design Patent** (10) **Patent No.:** **US D888,996 S**  
**Hawthorne et al.** (45) **Date of Patent:** **\*\* Jun. 30, 2020**

- (54) **VERTICAL SLIDER SASH STILE**
- (71) Applicants: **Kyle S. Hawthorne**, Waldo, ME (US);  
**John C. Magri, Jr.**, Lincolnville, ME (US); **William M. Gray**, Stockton Springs, ME (US); **Ralph J. McDermott, Jr.**, Lincolnville, ME (US); **Ryan H. Harnden**, Belfast, ME (US)
- (72) Inventors: **Kyle S. Hawthorne**, Waldo, ME (US);  
**John C. Magri, Jr.**, Lincolnville, ME (US); **William M. Gray**, Stockton Springs, ME (US); **Ralph J. McDermott, Jr.**, Lincolnville, ME (US); **Ryan H. Harnden**, Belfast, ME (US)
- (73) Assignee: **Mathews Brothers Company**, Belfast, ME (US)

(\*\*) Term: **15 Years**

(21) Appl. No.: **29/647,777**

(22) Filed: **May 15, 2018**

(51) **LOC (12) Cl.** ..... **25-01**

(52) **U.S. Cl.**  
USPC ..... **D25/124**

(58) **Field of Classification Search**  
USPC ..... D25/60, 61, 119-125, 164, 199  
CPC ... E06B 1/00; E06B 1/006; E06B 1/02; E06B 1/04; E06B 1/12; E06B 1/14; E06B 1/16; E06B 1/26; E06B 1/28; E06B 1/36; E06B 1/366; E06B 1/40; E06B 1/52; E06B 1/524; E06B 5/00; E06B 5/20; E06B 5/205

See application file for complete search history.

(56) **References Cited**

**U.S. PATENT DOCUMENTS**

- D307,484 S \* 4/1990 Westphal ..... D25/124
- D307,485 S \* 4/1990 Westphal ..... D25/124

- D335,712 S \* 5/1993 Cole ..... D25/124
- D343,462 S \* 1/1994 Cole ..... D25/124
- D351,664 S \* 10/1994 Cole ..... D25/124
- D364,470 S \* 11/1995 Goss, Jr. .... D25/124
- D364,472 S \* 11/1995 Goss, Jr. .... D25/124
- D366,320 S \* 1/1996 Hosseini ..... D25/124
- D366,323 S \* 1/1996 Schrader ..... D25/124
- D375,176 S \* 10/1996 DiGiorgio ..... D25/124
- D471,647 S \* 3/2003 Chaney ..... D25/124
- D498,545 S \* 11/2004 Willman ..... D25/124
- D593,686 S \* 6/2009 Campbell ..... D25/124
- D664,680 S \* 7/2012 Kim ..... D25/124
- D692,590 S \* 10/2013 Wickland ..... D25/124
- D724,765 S \* 3/2015 Fannan ..... D25/124
- D725,797 S \* 3/2015 Fannan ..... D25/124
- D736,957 S \* 8/2015 Chaney ..... D25/124
- D759,846 S \* 6/2016 Marshall ..... D25/124
- D795,458 S \* 8/2017 Marshall ..... D25/125
- D795,463 S \* 8/2017 Marshall ..... D25/125
- D836,216 S \* 12/2018 Roberts ..... D25/124

(Continued)

*Primary Examiner* — Llorelys Martinez

(74) *Attorney, Agent, or Firm* — Anthony D. Pellegrini

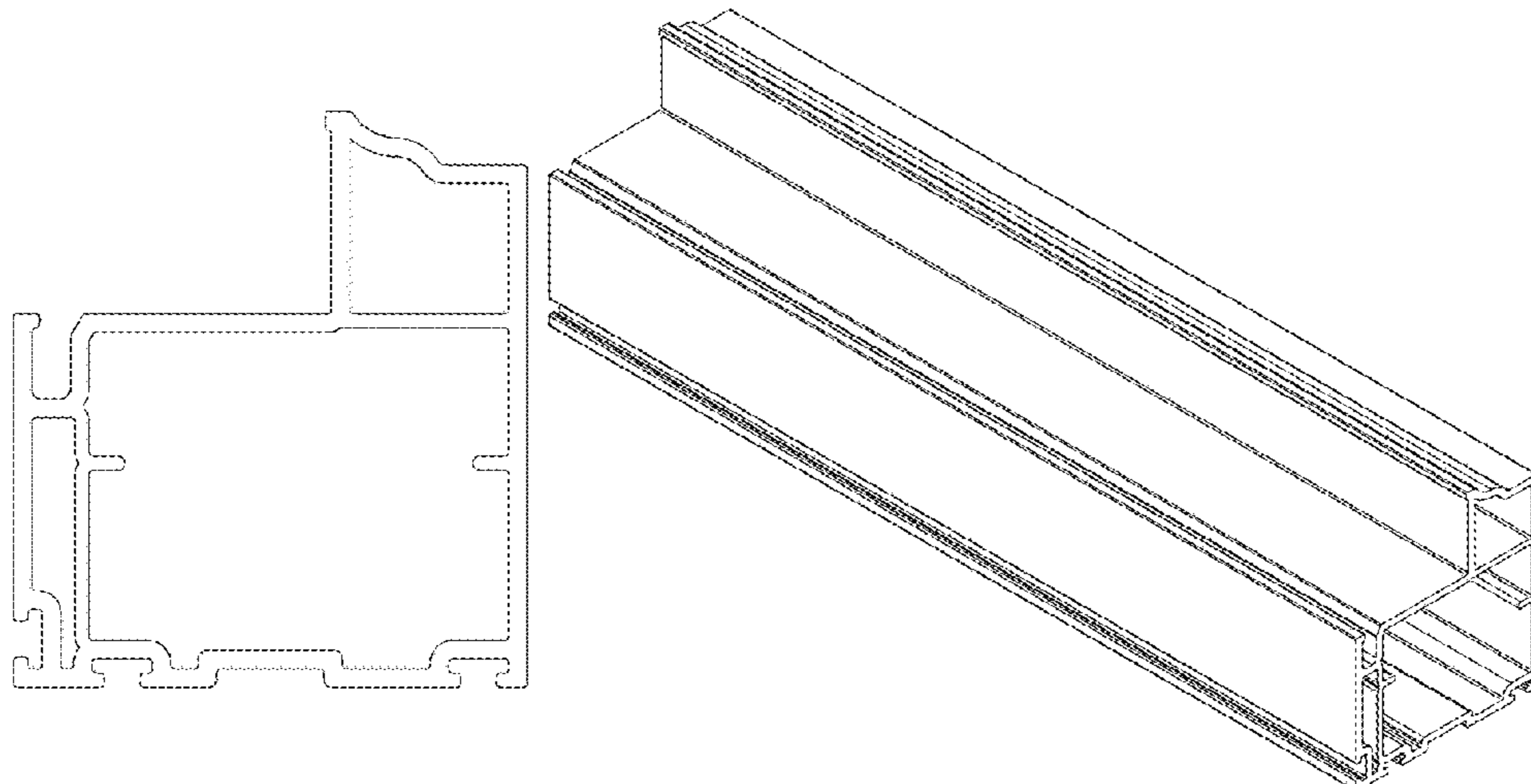
(57) **CLAIM**

The ornamental design for a vertical slider sash stile, as shown and described.

**DESCRIPTION**

- FIG. 1 is a left plan view of a vertical slider sash stile showing our new design.
- FIG. 2 is a top, rear perspective view thereof.
- FIG. 3 is a top, front perspective view thereof.
- FIG. 4 is a bottom, rear perspective view thereof.
- FIG. 5 is a bottom, front perspective view thereof.
- FIG. 6 is a top plan view thereof.
- FIG. 7 is a rear elevation view thereof.
- FIG. 8 is a front elevation view thereof; and,
- FIG. 9 is a bottom plan view thereof.

**1 Claim, 9 Drawing Sheets**



(56)

**References Cited**

U.S. PATENT DOCUMENTS

D872,890 S \* 1/2020 Hawthorne ..... D25/124  
D872,891 S \* 1/2020 Hawthorne ..... D25/124  
D872,892 S \* 1/2020 Hawthorne ..... D25/124

\* cited by examiner

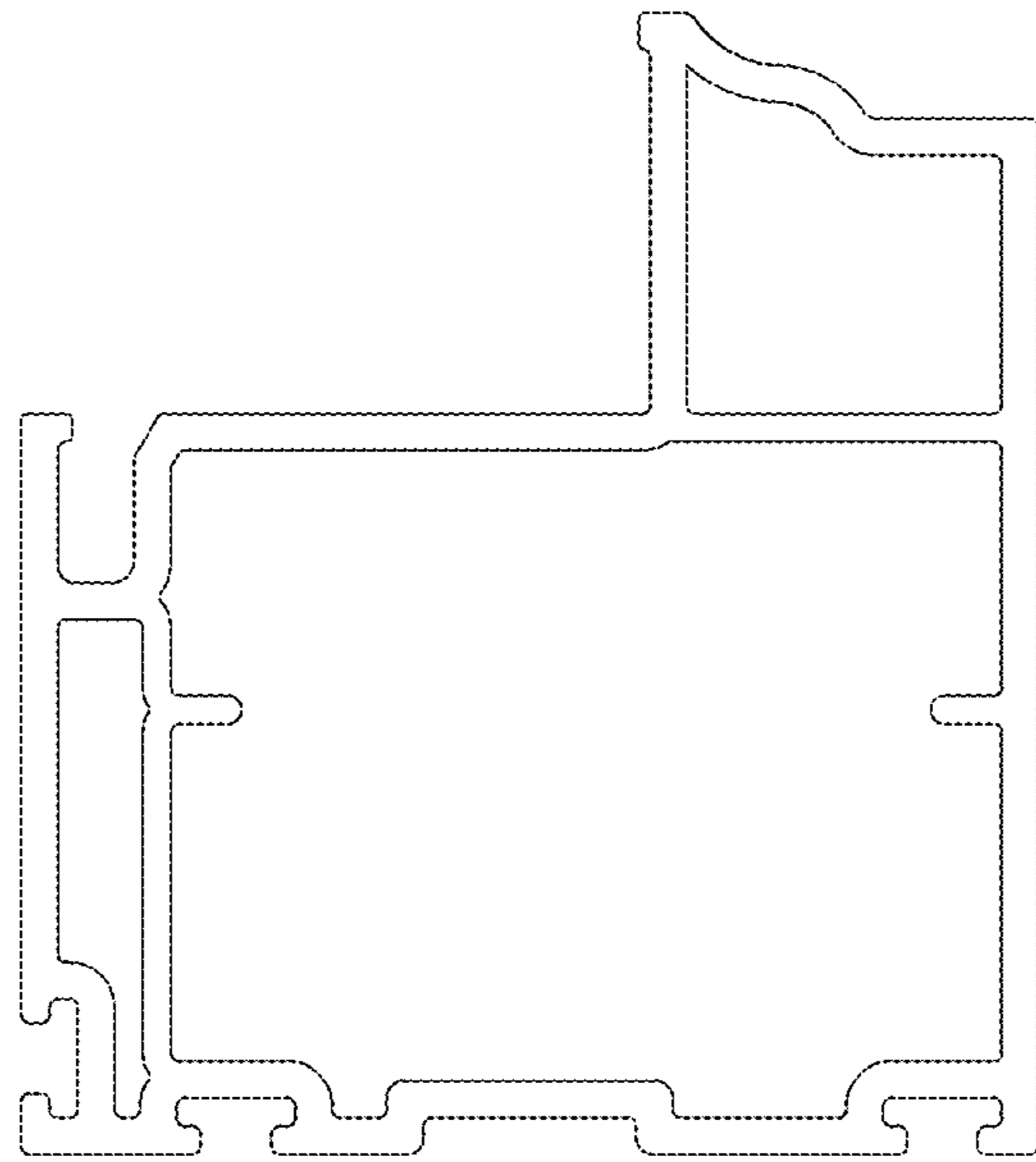


Fig. 1

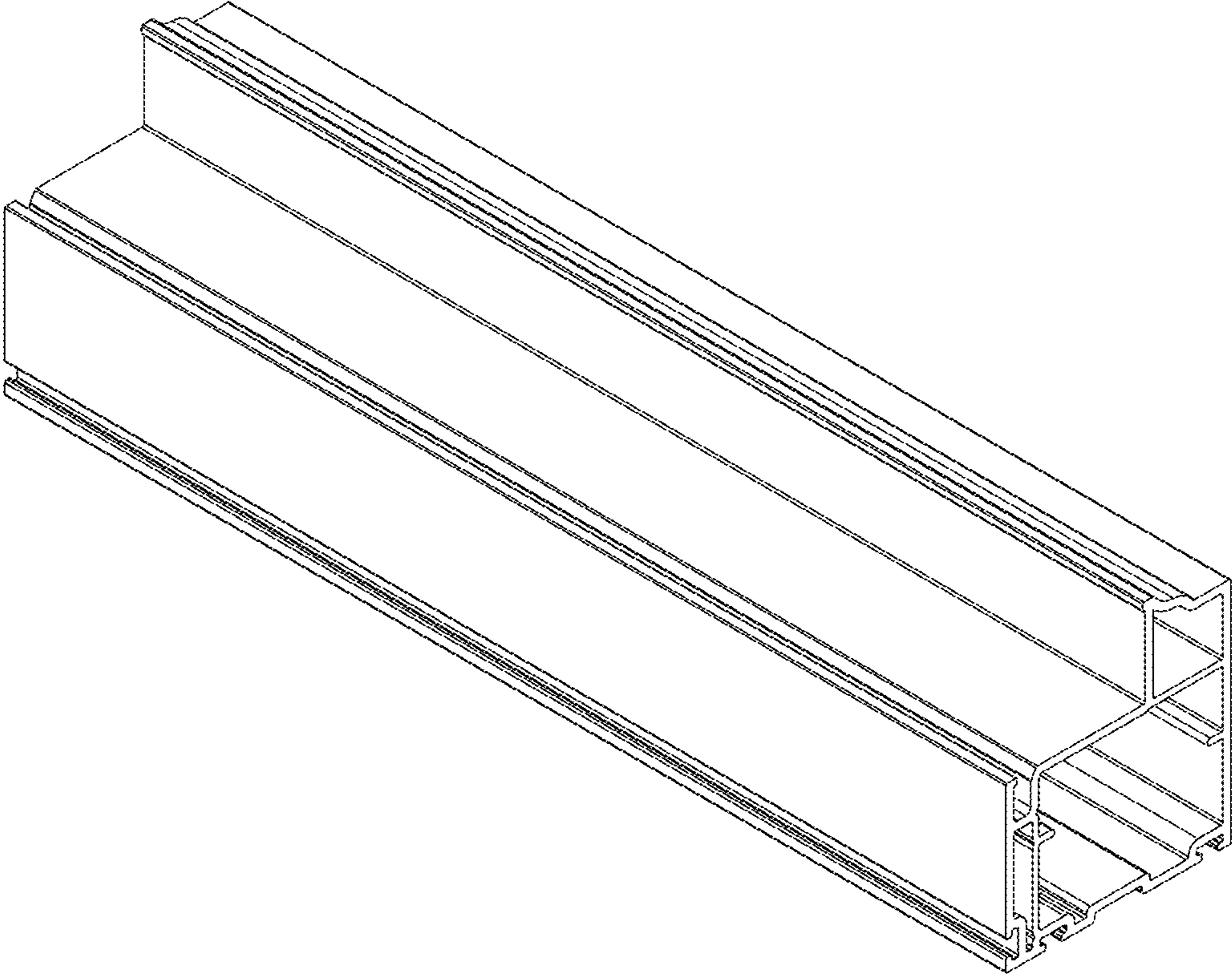


Fig. 2

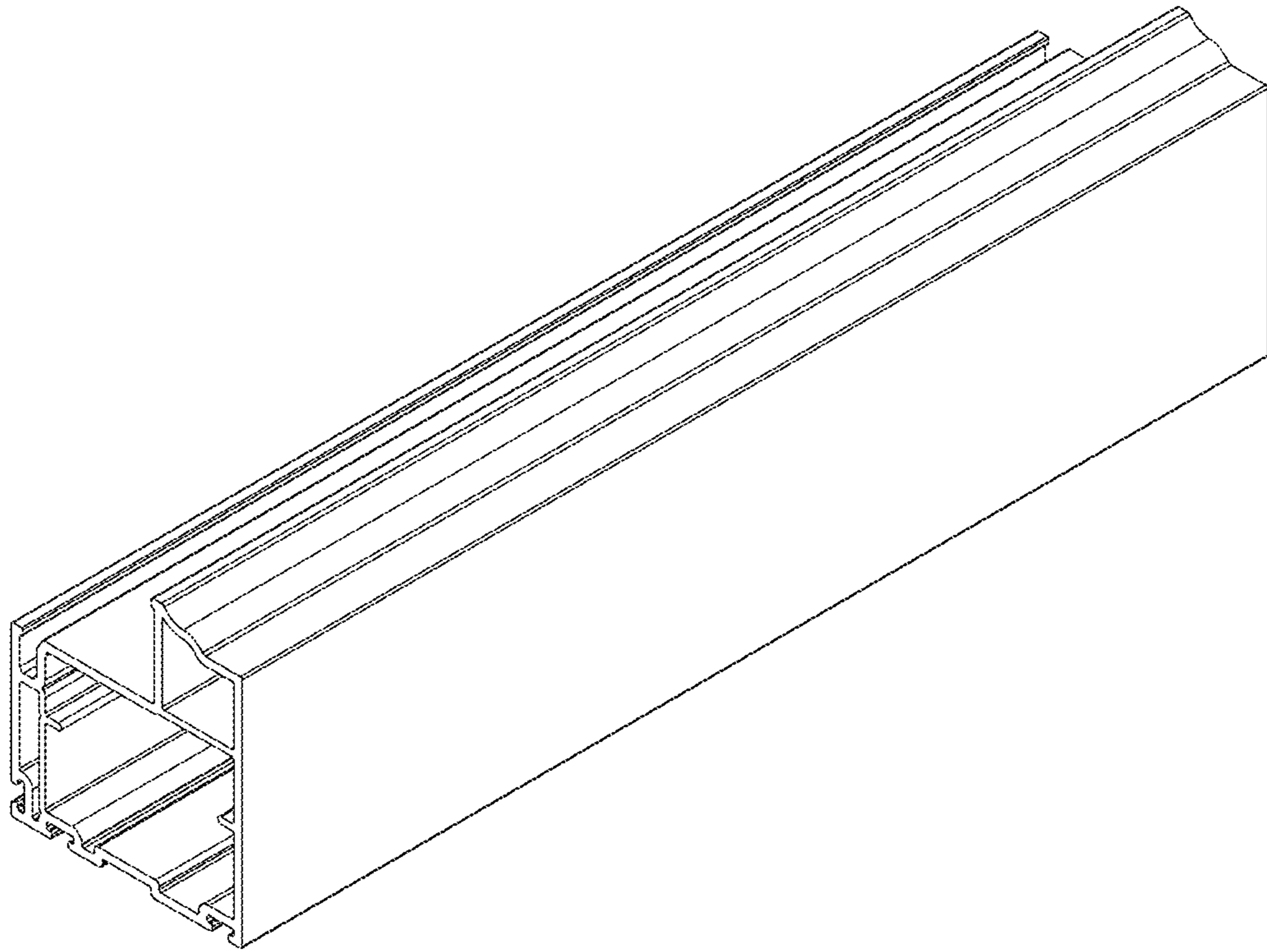


Fig. 3

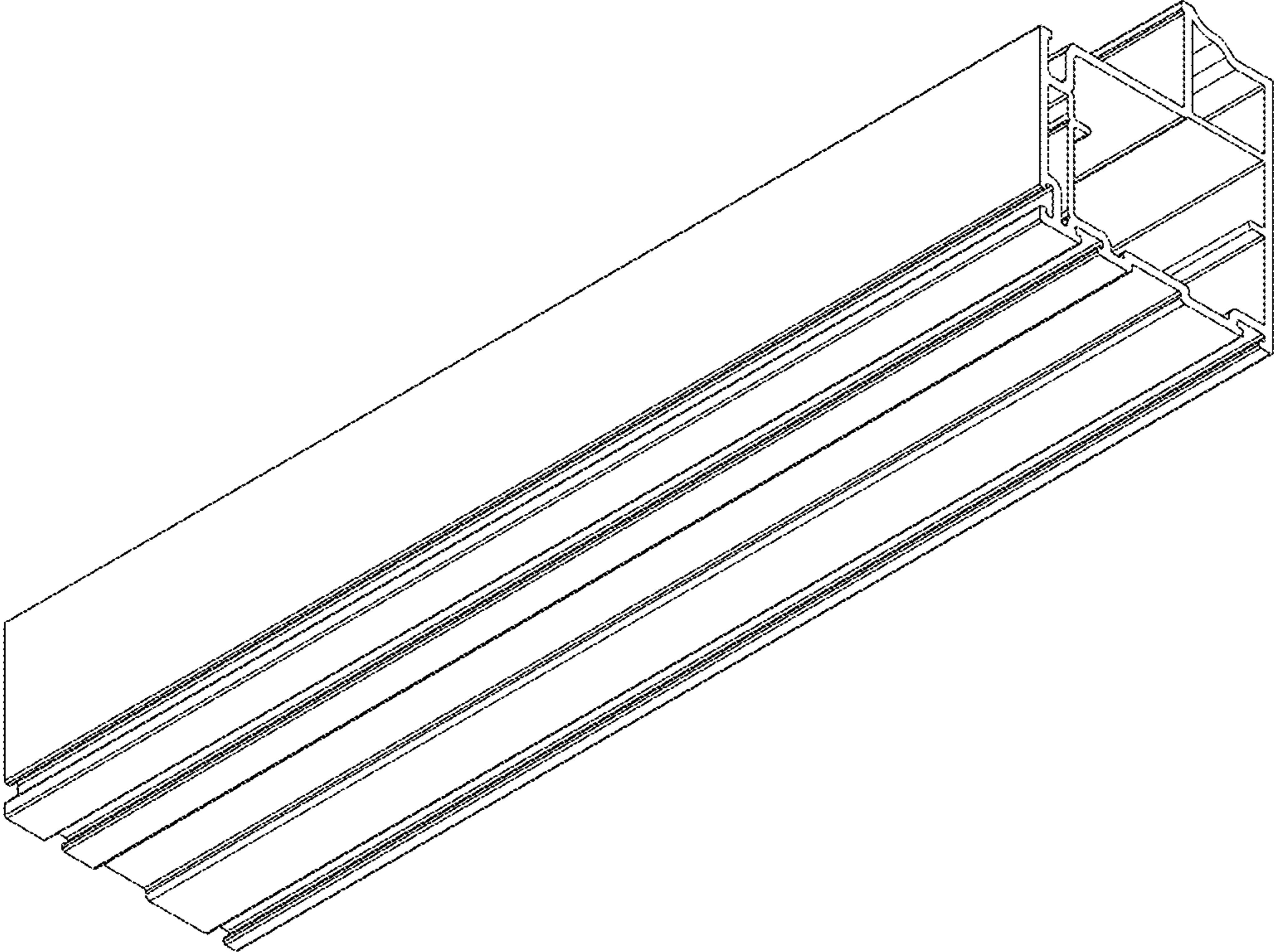


Fig. 4

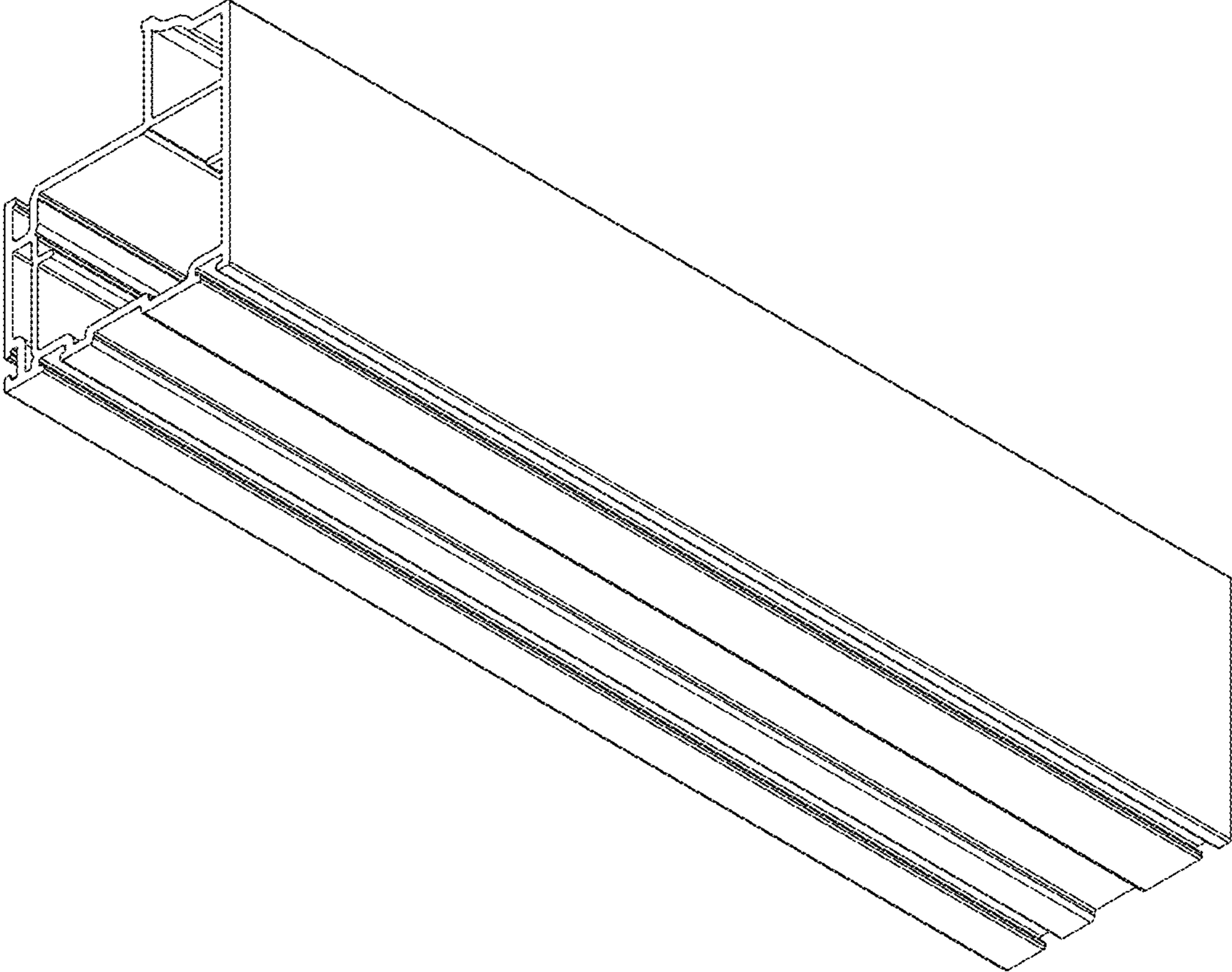
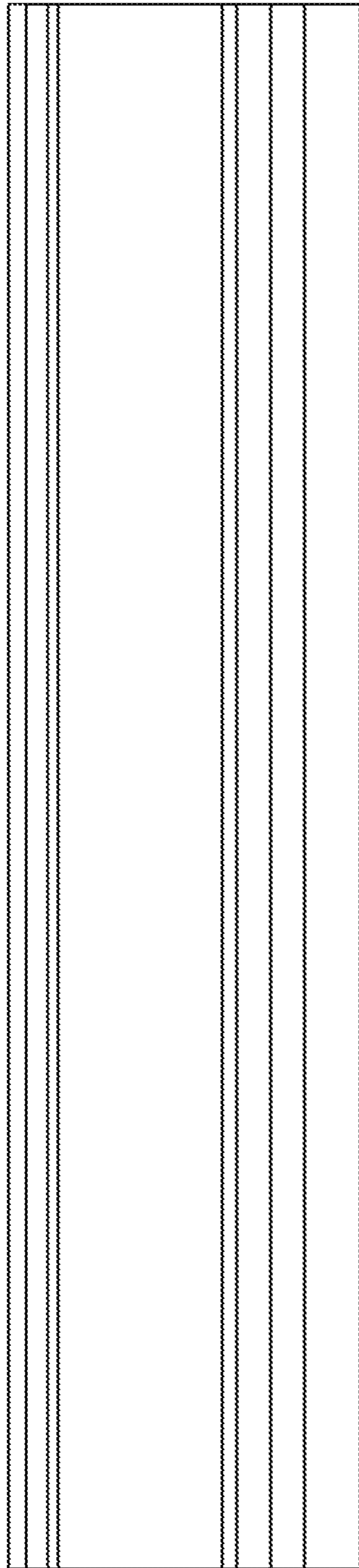
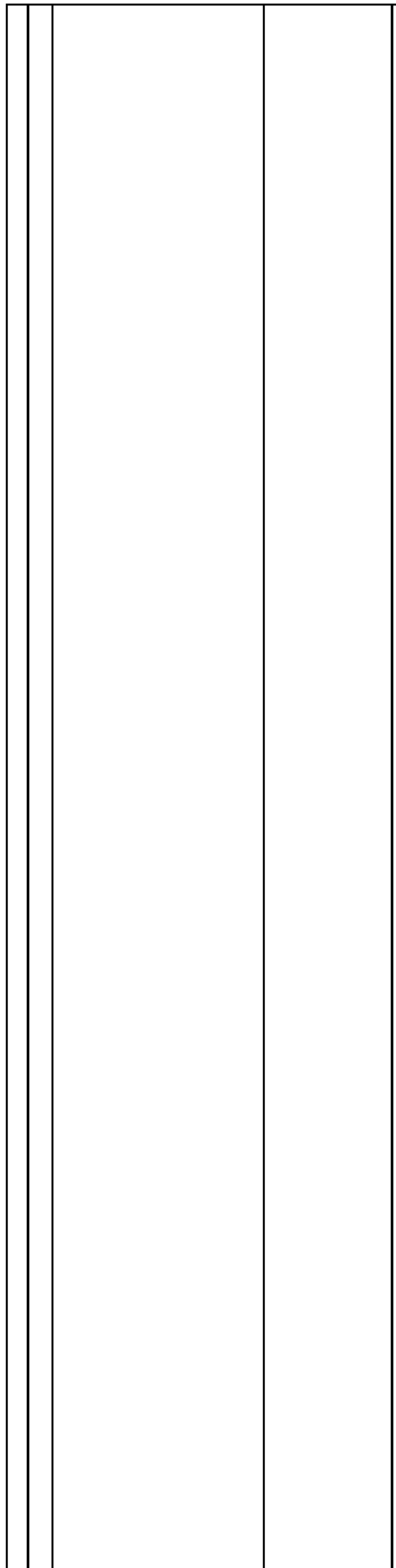


Fig. 5

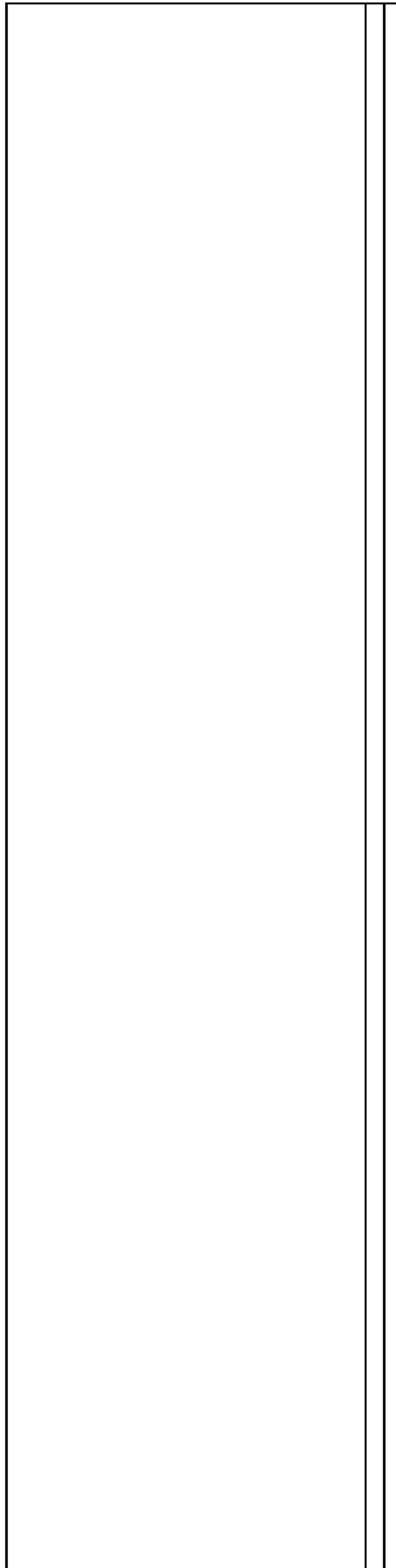


**Fig. 6**





**Fig. 7**



**Fig. 8**

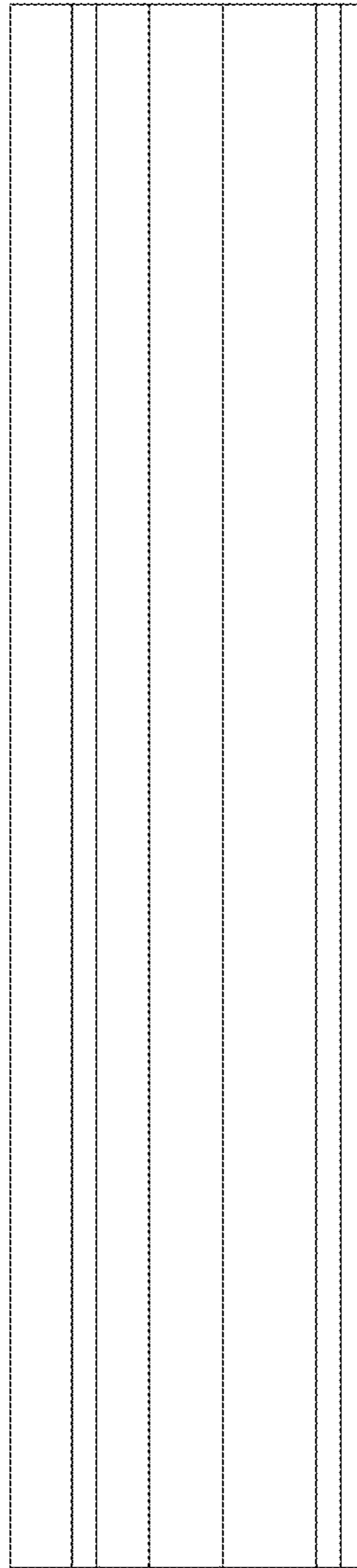


Fig. 9