



US00D888995S

(12) **United States Design Patent** (10) **Patent No.:** **US D888,995 S**
Gazda (45) **Date of Patent:** **** Jun. 30, 2020**

(54) **LADDER MOUNTED DEVICE AND SYSTEM**

FOREIGN PATENT DOCUMENTS

(71) Applicant: **Tom Gazda**, Scottsdale, AZ (US)

CN 200955348 Y 10/2007
CN 205477348 U 8/2016

(72) Inventor: **Tom Gazda**, Scottsdale, AZ (US)

(Continued)

(**) Term: **15 Years**

OTHER PUBLICATIONS

(21) Appl. No.: **29/678,962**

Step Ladder Accessories The Step Ladder Easel Workstation for Painting/Window Washing <https://www.amazon.com/Ladder-Accessories-Workstation-Painting-Washing/dp/B079SNMHLZ/ref=sr_1_1?ie=UTF8&qid=1548968896&sr=8-1&keywords=Step+Ladder+Accessories+The+Step+Ladder+Easel+Workstation+for+Painting%2FWindow+Washing>.

(22) Filed: **Jan. 31, 2019**

(51) **LOC (12) Cl.** **25-04**

(52) **U.S. Cl.**

USPC **D25/68**

(Continued)

(58) **Field of Classification Search**

USPC D25/62-69; 182/206, 129; D8/371; D26/138

CPC ... E06C 7/48; E06C 7/14; E06C 7/488; E06C 7/143; E06C 1/36; E06C 7/50; E06C 7/086; E06C 7/188; E06C 7/182

See application file for complete search history.

Primary Examiner — Gino Colan

(74) *Attorney, Agent, or Firm* — Booth Udall Fuller, PLC

(57) **CLAIM**

The ornamental design for a ladder mounted device and system, as shown and described.

DESCRIPTION

(56) **References Cited**

U.S. PATENT DOCUMENTS

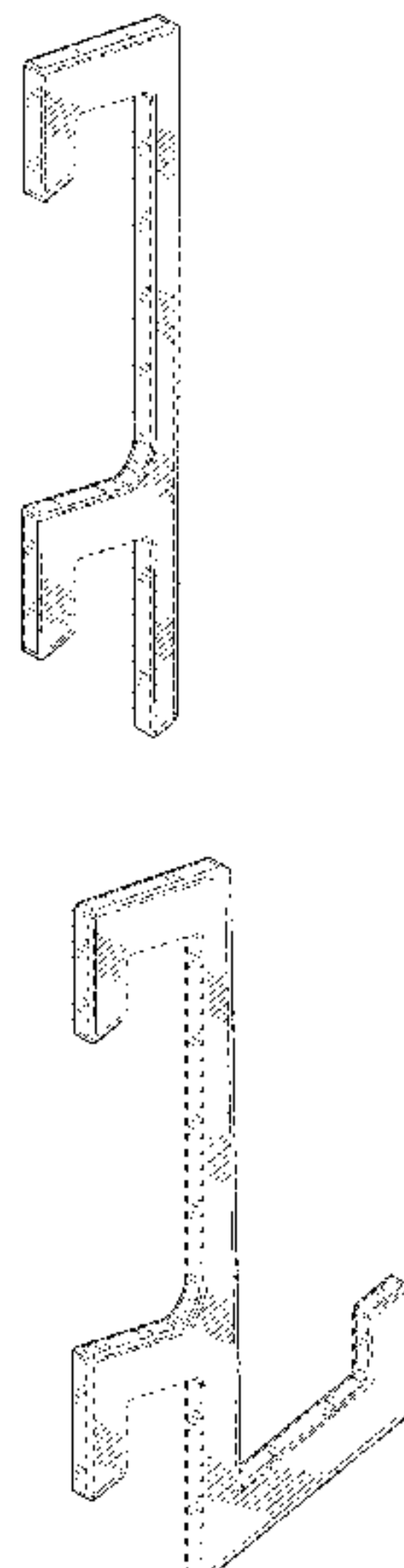
| | | | | |
|--------------|------|---------|----------|-----------------------|
| 2,015,378 | A | 9/1935 | Davis | |
| 2,262,282 | A * | 11/1941 | Helgason | B44D 3/14 248/211 |
| 2,398,617 | A | 8/1944 | Casey | |
| 2,451,020 | A | 10/1948 | Davis | |
| 2,453,355 | A | 11/1948 | Arnold | |
| 2,565,014 | A | 8/1951 | Beaty | |
| 3,396,929 | A | 8/1968 | Brown | |
| 4,029,280 | A | 6/1977 | Golz | |
| D290,931 | S * | 7/1987 | Powell | D8/371 |
| D307,384 | S * | 4/1990 | Phillips | 182/206 |
| 5,797,571 | A * | 8/1998 | Brophy | E06C 7/14 182/129 |
| 6,250,595 | B1 * | 6/2001 | Campbell | E06C 7/146 182/129 |
| D813,417 | S * | 3/2018 | Carrera | D25/68 |
| D847,410 | S * | 4/2019 | Stanley | D26/138 |
| 2004/0069569 | A1 | 4/2004 | Fraser | |

(Continued)

FIG. 1 is an isometric view of upper and lower portions of a ladder mounted device and system; FIG. 2 is a left side view thereof; FIG. 3 is a right side view of thereof; FIG. 4 is a back side view thereof; FIG. 5 is a front side view thereof; FIG. 6 is a top view thereof; FIG. 7 is a bottom view thereof; and, FIG. 8 is an isometric environmental view in which upper and lower portions of the ladder mounted device and system are shown coupled to a stepladder.

The broken lines shown in the figures are for the purpose of illustrating portions of the ladder mounted device and system and form no part of the claimed design. The broken lines showing a stepladder in FIG. 8 are for the purpose of illustrating environment and form no part of the claimed design.

1 Claim, 6 Drawing Sheets



(56)

References Cited

U.S. PATENT DOCUMENTS

2008/0258025 A1 10/2008 Rice
2011/0203873 A1 8/2011 Perry

FOREIGN PATENT DOCUMENTS

GB 1005489.8 10/2010
JP 2001003665 A 8/2002

OTHER PUBLICATIONS

Guardian Fall Protection 2-Rung Aluminum Ladder Jack <<https://www.homedepot.com/p/Guardian-Fall-Protection-2-Rung-Aluminum-Ladder-Jack-2420P/202092097>>.
Camco 51492 RV Ladder Mount Bike Rack <<https://www.amazon.com/Camco-51492-Ladder-Mount-Bike/dp/B06XRFFGQL>>.
E-Z TV Lift <<https://e-zspreadnlift.com/detailtvf.htm>>.

* cited by examiner

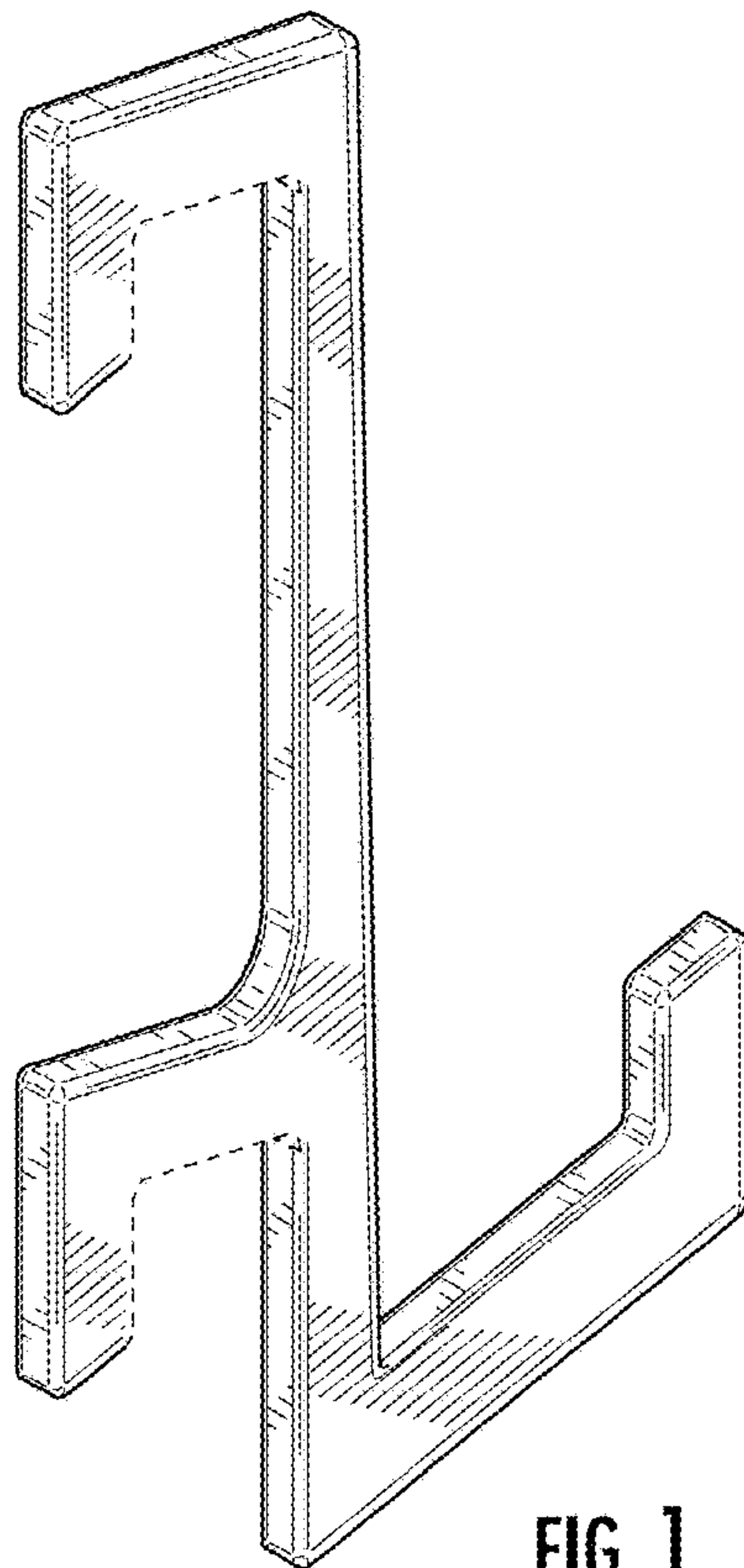
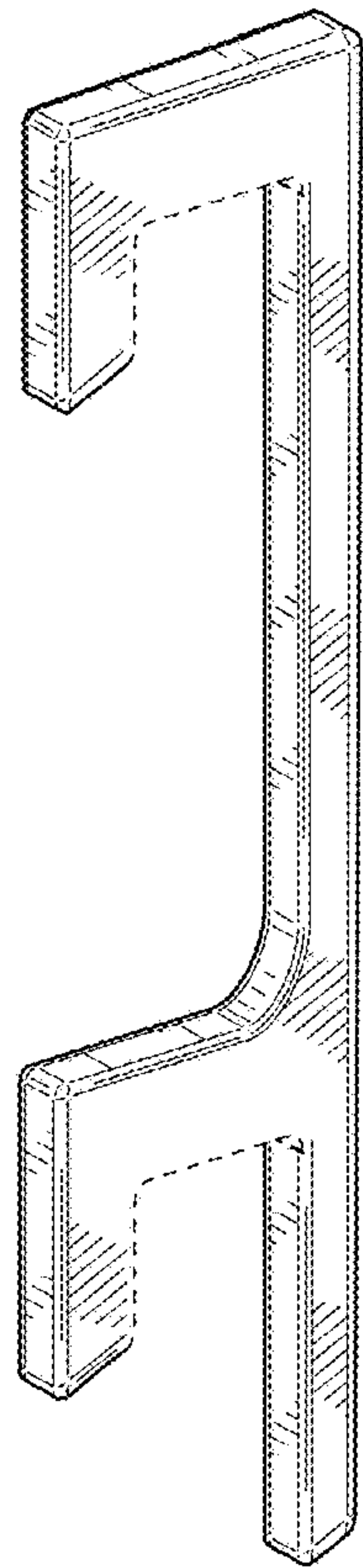


FIG. 1

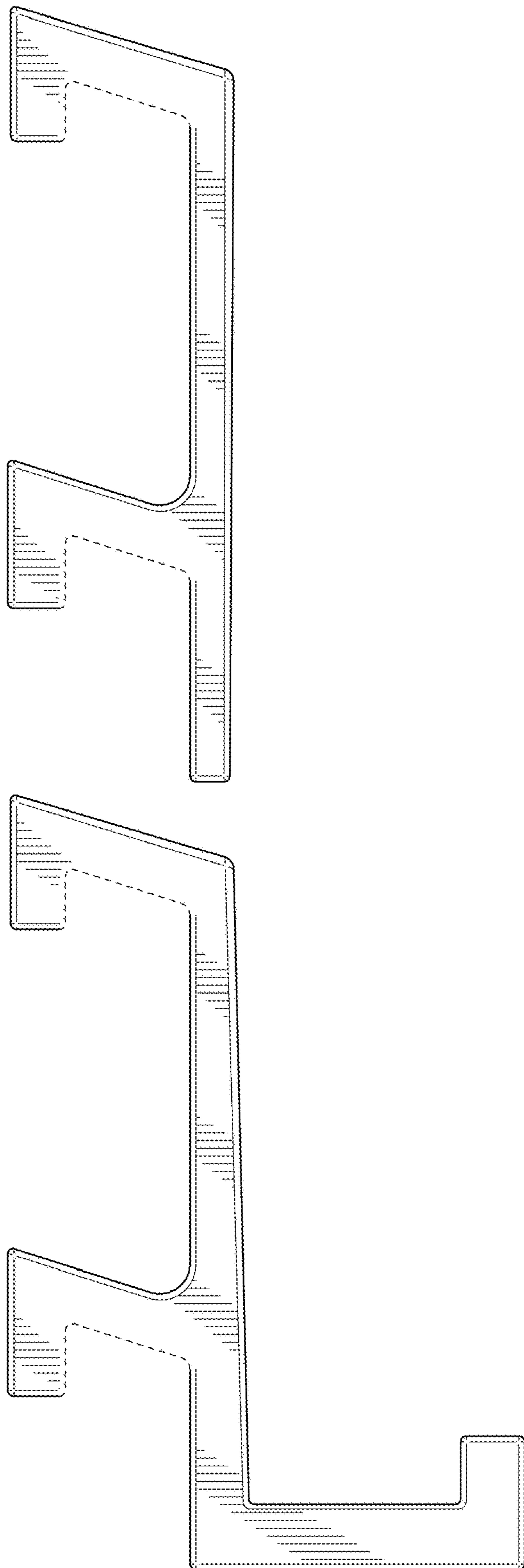


FIG. 2

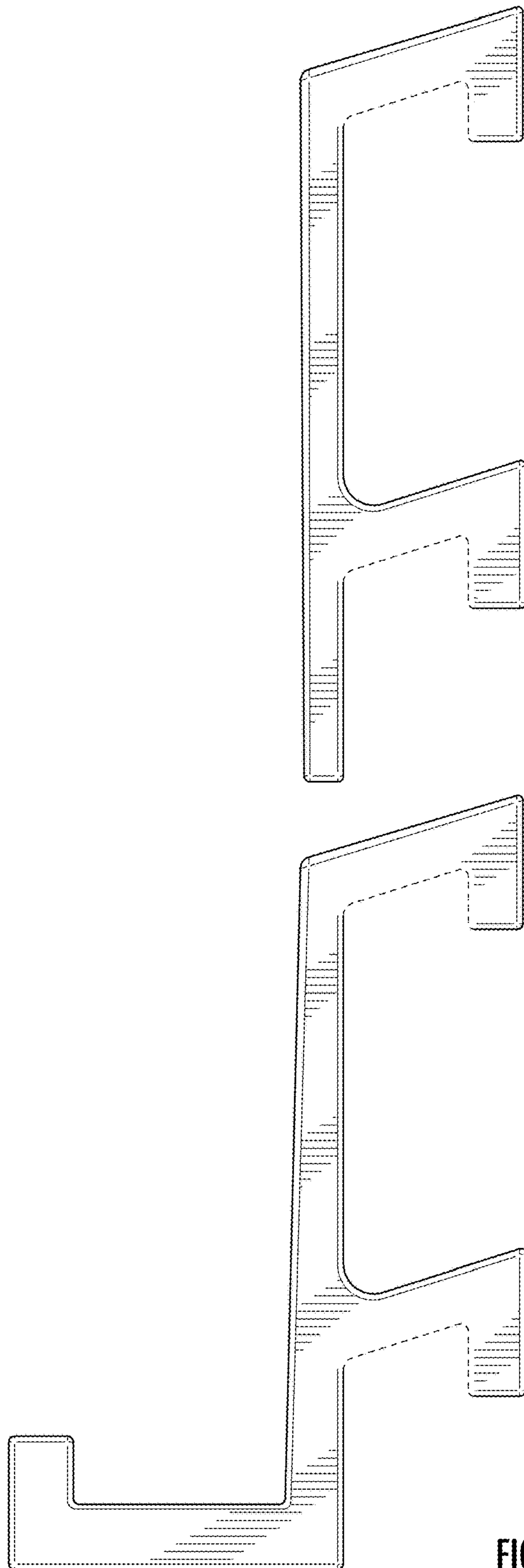


FIG. 3

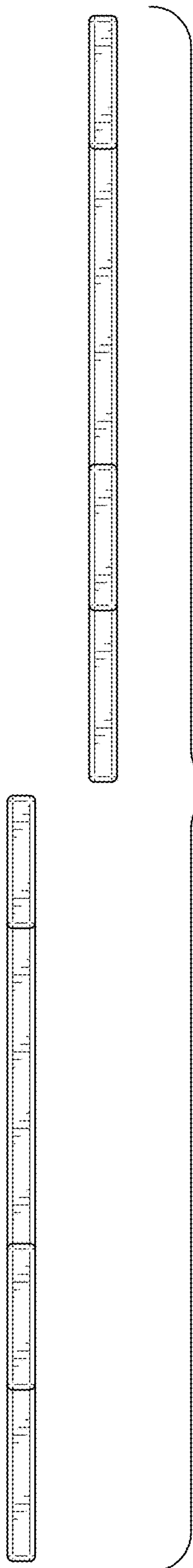


FIG. 4

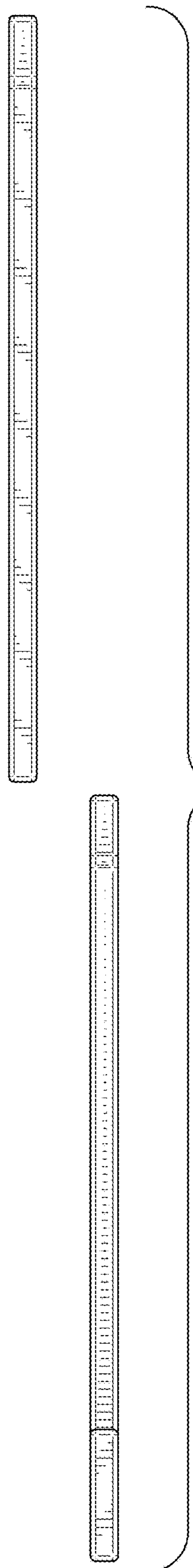


FIG. 5

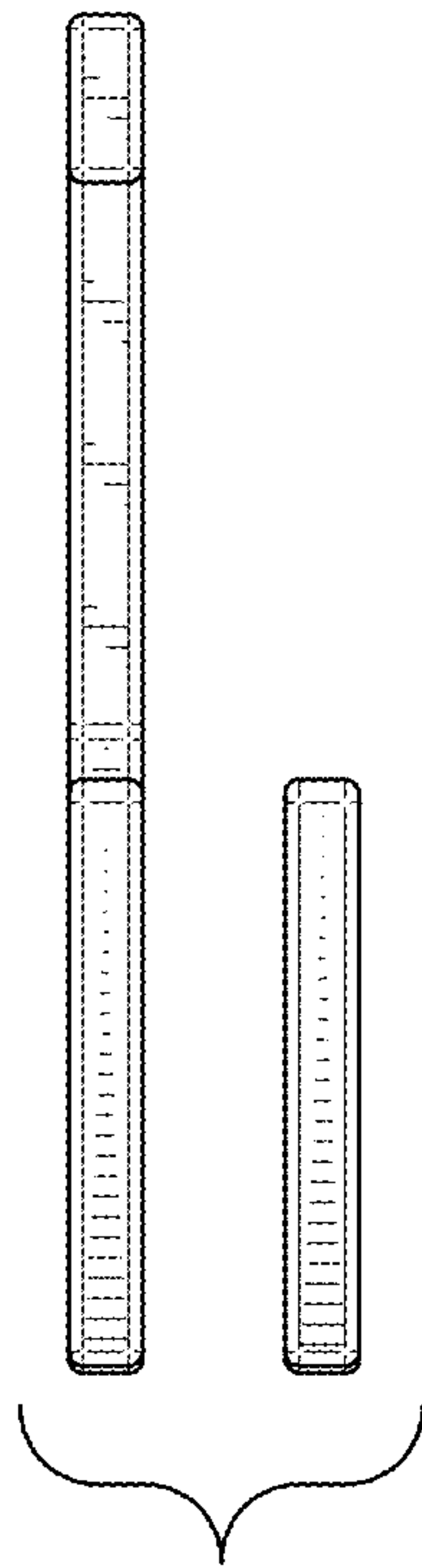


FIG. 6

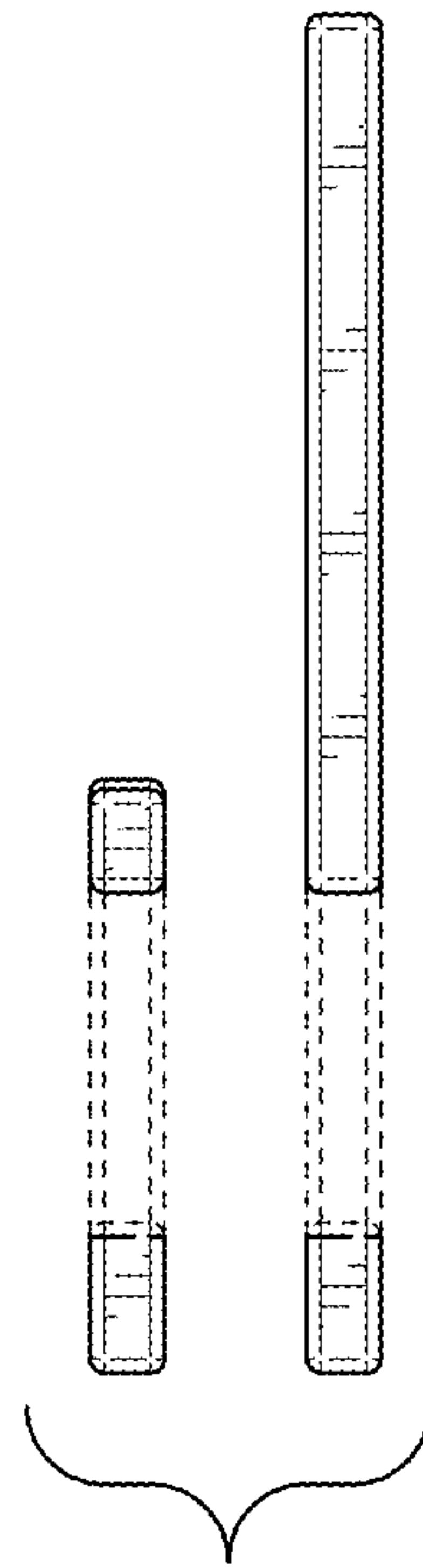


FIG. 7

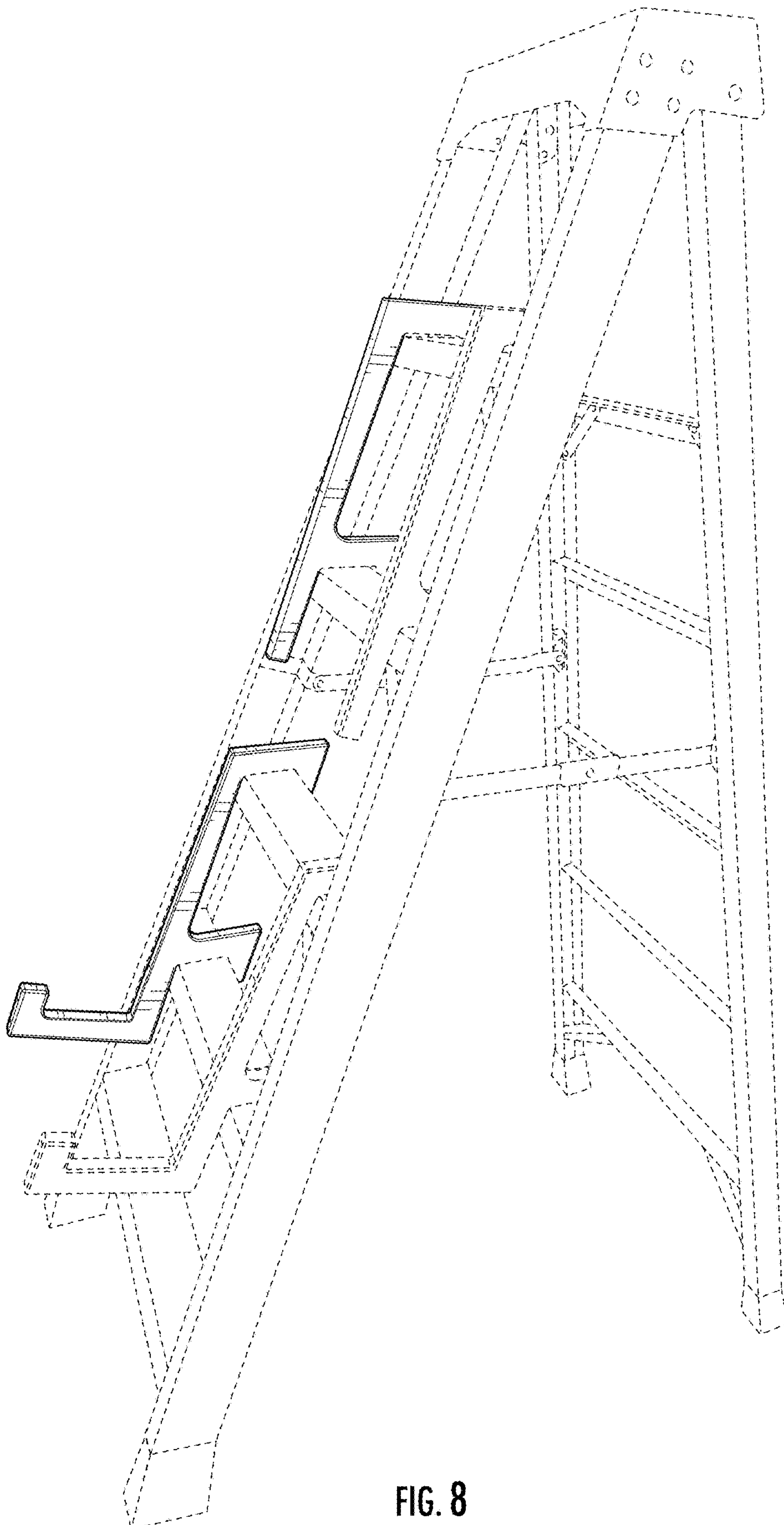


FIG. 8